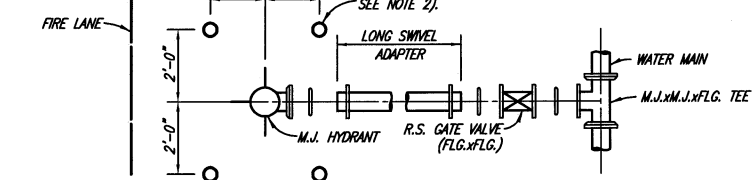
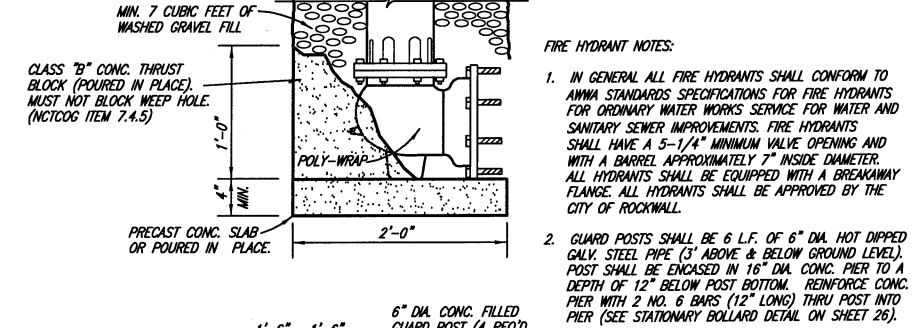
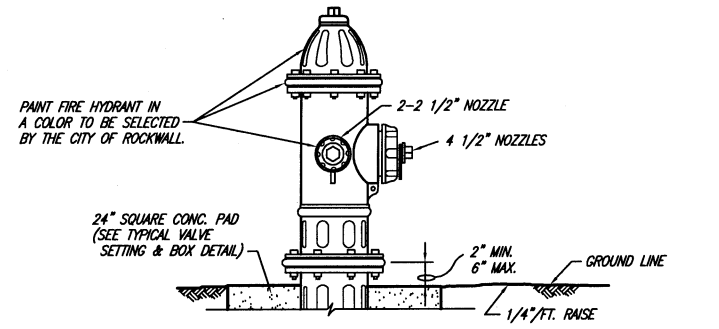


SUMMARY OF ABBREVIATIONS AND DEFINITIONS

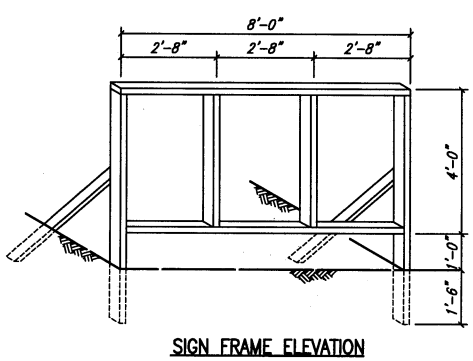
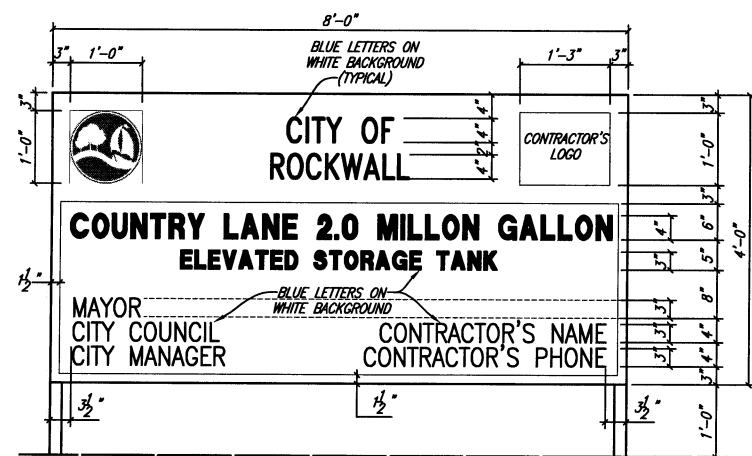
GENERAL TOPOGRAPHY & HORIZONTAL/ VERTICAL CONTROL			TREES & BUSHES		
ABBREVIATION	DEFINITION	ABBREVIATION	DEFINITION	ABBREVIATION	DEFINITION
B.C.	BACK OF CURB	P.I.	POINT OF INTERSECTION	B.D.	BOIS D'ARC TREE
B.-B.	BACK TO BACK	E	PROPERTY LINE	B.T.	BLACK THORN TREE
G	CENTERLINE	P.P. OR U.P.	POWER POLE OR UTILITY POLE	C.B.	CHINABERRY TREE
C.M.A.P.	CORRUGATED METAL ARCH PIPE	P.R.C.	POINT OF REVERSE CURVATURE	CDR.	CEDAR TREE
C.M.P.	CORRUGATED METAL PIPE	P.T.	POINT OF TANGENCY	C.E.	CEDAR ELM TREE
C.I.	CAST IRON	P.V.C.	PLASTIC PIPE	C.M.	CRAPE MYRTLE TREE
C.O.	CLEANOUT	P.V.I.	POINT OF VERTICAL INTERSECTION	C.P.	CHINESE PISTACHIO TREE
CONN.	CONNECTION	R.	RADIUS	C.W.	COTTONWOOD TREE
CULV.	CULVERT	R.C.	REINFORCED CONCRETE	CYP.	CYPRESS TREE
D.I.P.	DUCTILE IRON PIPE	R.C.P.	REINFORCED CONCRETE PIPE	H.	HACKBERRY TREE
EL.	ELEVATION	R.C.C.P.	REINFORCED CONCRETE CYLINDER PIPE	H.B.	HICKORY TREE
ELEC.	BURIED ELECTRICAL POWER LINE	R.O.W.	RIGHT OF WAY	H.T.	HAWTHORNE TREE
ENC.	ENCASEMENT	SAN. SEW. OR S.S.	SANITARY SEWER	JAP.	JAPONICA TREE
E.P.	EDGE OF PAVEMENT	S.H.	LAWN SPRINKLER HEAD	LIG.	LIGUSTRUM BUSH
ESMT.	EASEMENT	S.S.	SURVEY LINE	L.O.	LIVE OAK TREE
F.-F.	FACE TO FACE	S.S.M.H.	SANITARY SEWER MANHOLE	LOC.	LOCUST TREE
F.H.	FIRE HYDRANT	ST. SEW.	STORM SEWER	MAG.	MAGNOLIA TREE
F.M.	SANITARY SEWER FORCE MAIN	S.V.B.	LAWN SPRINKLER VALVE BOX	MAP.	MAPLE TREE
F.L.	FLOW LINE	T.B.	TELEPHONE CABLE BOX	MSQ.	MESQUITE TREE
G.L.M.	GAS LINE MARKER	T.C.	TOP OF CURB	MIM.	MIMOSA TREE
G.M.	GAS METER	T.E.	BURIED TELEPHONE CABLE	MUL.	MULBERRY TREE
G.V.	GAS VALVE	T.L.	TELEPHONE CABLE MANHOLE	NAN.	NANDENA BUSH
GUT.	GUTTER	T.M.H.	TO FACE (OF CURB)	PEC.	PECAN TREE
HDWL.	HEADWALL	T.O.F.	ELECTRICAL TRANSFORMER	PER.	PERSIMMON TREE
I.P.F. OR I.R.F.	IRON PIN (ROD) FOUND	TRANS.	BURIED TELEVISION CABLE	PHOT.	RED TIPPED PHOTINIA TREE
L.L.	LANDSCAPING LIGHT	T.V.	CABLE TELEVISION BOX	PIST.	CHINESE PISTACHIO TREE
L.P.	LIGHT POLE	T.V.B.	UNDERGROUND CABLE MARKER	R.B.	REDBUD TREE
L.S.	SANITARY SEWAGE LIFT STATION	U.G.C.M.	UNDERGROUND CABLE MARKER	R.D.	RED OAK TREE
L.S.T.	LANDSCAPING TIMBERS	U.P.M.	UNDERGROUND PIPELINE MARKER	S.G.	SWEET GUM TREE
M.B.	MAILBOX	V.C.	VERTICAL CURVE	SYC.	SYCAMORE TREE
M.B.G.F.	METAL BEAM GUARD FENCE	W. OR W.L.	WATER LINE	WIL.	WILLOW TREE
M.H.	MANHOLE	W.M.	WATER METER		
P.C.	POINT OF CURVATURE	W.V.	WATER VALVE		

GENERAL PROJECT NOTES

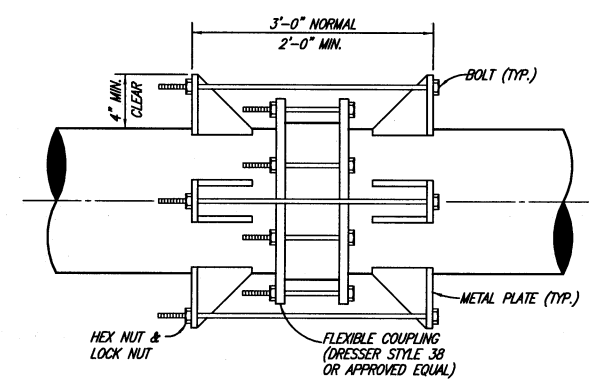
- (NO SEPARATE PAY ITEMS)
- CONTRACTOR SHALL BE RESPONSIBLE FOR PROVIDING ADEQUATE MEASURES FOR PREVENTING STORM WATER RUNOFF FROM ENTERING THE TRENCH DURING CONSTRUCTION.
 - AT THE END OF EACH WORK DAY, THE CONTRACTOR SHALL ERECT A TEMPORARY SECURITY FENCE AT ALL EXCAVATIONS.
 - TOPSOIL SHALL BE STOCKPILED AND REPLACED TO A MINIMUM DEPTH OF 6 INCHES AND DISC HARROWED TO A MINIMUM DEPTH OF 4 INCHES. CONTRACTOR IS ALLOWED TO IMPORT TOPSOIL TO ACHIEVE 6" DEPTH.
 - FINISHED GROUND SHALL HAVE NO MORE ROCKS OVER 1 INCH THAN SURROUNDING UNDISTURBED GROUND. ALL ROCKS LARGER THAN 1 INCH SHALL BE COLLECTED AND DISPOSED OF BY THE CONTRACTOR.
 - CONTRACTOR SHALL VERIFY THE LOCATIONS OF ALL EXISTING UTILITIES SUFFICIENTLY IN ADVANCE OF THE CONSTRUCTION SO THAT IF IT IS NECESSARY TO CHANGE OR MOVE UTILITY, THE PROGRESS OF THE WORK WILL NOT BE DELAYED.
 - CONTRACTOR SHALL BE RESPONSIBLE FOR THE PROTECTION OF ALL EXISTING SERVICE LINES CROSSED OR EXPOSED BY HIS CONSTRUCTION OPERATIONS. WHERE EXISTING SERVICE LINES ARE CUT, BROKEN OR DAMAGED, THE CONTRACTOR SHALL IMMEDIATELY REPLACE THE SERVICE LINES WITH THE SAME TYPE OF ORIGINAL CONSTRUCTION, OR BETTER.
 - CONCRETE THRUST BLOCKING SHALL BE SUBSIDIARY TO PIPE COST AND SHALL BE SIZED TO RESTRAIN TEST PRESSURES. CONTRACTOR SHALL DIRECT (AND PAY) PIPE COMPANY TO SIZE THRUST BLOCKS. THRUST BLOCKS SHALL BE LOCATED AT ALL HORIZONTAL AND VERTICAL BENDS, REGARDLESS IF PIPE JOINTS ARE WELDED.
 - CONTRACTOR SHALL PROVIDE A STORM WATER POLLUTION PREVENTION PLAN AND ALL APPURTENANCES TO COMPLY WITH THE LATEST EPA STORM WATER POLLUTION PREVENTION REGULATIONS.
 - CONTRACTOR SHALL ANTICIPATE ENCOUNTERING GROUND WATER THROUGHOUT THIS PROJECT AND SHALL PROVIDE ADEQUATE MEASURES FOR DEWATERING THE TRENCH. ALL COSTS FOR PUMPS AND/OR OTHER RELATED APPURTENANCES SHALL BE INCLUDED IN THE APPROPRIATE ITEM OF THE BID SCHEDULE.
 - CONTRACTOR SHALL SUPPORT ALL UTILITY POLES AND LIGHT STANDARDS/POLES NEAR EXCAVATION.
 - PAVEMENT REMOVAL AND REPLACEMENT SHOWN ON PLANS REFLECT TRENCH WIDTH. IT DOES NOT INCLUDE WIDTH FOR TRENCH BOXES OR PAVEMENT REPLACEMENT. PAVEMENT REPLACEMENT SHALL BE PAID ON A LINEAR FOOT BASIS AS PROVIDED FOR IN THE PROPOSAL AND BID SCHEDULE.
 - PAVEMENT REMOVAL AND REPLACEMENT AUTHORIZED BY THE CITY IS OUTSIDE THE PAVEMENT REMOVAL AND REPLACEMENT REQUIRED FOR WATER LINE CONSTRUCTION.
 - CONTRACTOR SHALL PROTECT EXISTING CONCRETE PAVEMENT FROM TRACKED EQUIPMENT BY USE OF TIMBERS.
 - CONTRACTOR SHALL RESET ALL IRON RODS AND OTHER PROPERTY MARKERS DISTURBED BY CONSTRUCTION.



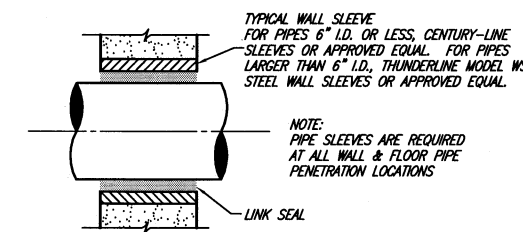
TYPICAL FIRE HYDRANT INSTALLATION



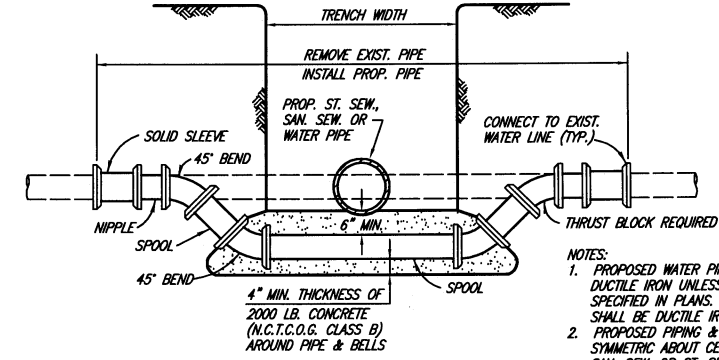
PROJECT SIGN



WELDED THRUST HARNESS ASSEMBLY



PIPE SLEEVE



WATER MAIN LOWERING

This record drawing is a compilation of the sealed engineering drawing for this project; modified by addenda, change orders and information furnished by the contractor. The information shown on the record drawings that was provided by the contractor or others not associated with the design engineer cannot be verified for accuracy or completeness. This original sealed drawings are on file at the offices of Birkhoff, Hendricks & Conway, L.L.P.

BY PAC DATE 12/23/08

BIRKHOFF, HENDRICKS & CONWAY, L.L.P.
CONSULTING ENGINEERS
7502 Greenville Ave., Suite 220
Dallas, Texas
(214) 361-7900

STATE OF TEXAS
PAUL A. CARLINE
85400
LICENSED PROFESSIONAL ENGINEER

CITY OF ROCKWALL, TEXAS
COUNTRY LANE ELEVATED STORAGE TANK

MISCELLANEOUS DETAILS

BHC
PROJECT NO.
2005 149
SHEET NO.
22
December, 2008

These plans and related specifications were prepared for construction of this specific project only. Reuse of these documents is not permitted without written authorization of Birkhoff, Hendricks, & Conway, L.L.P.