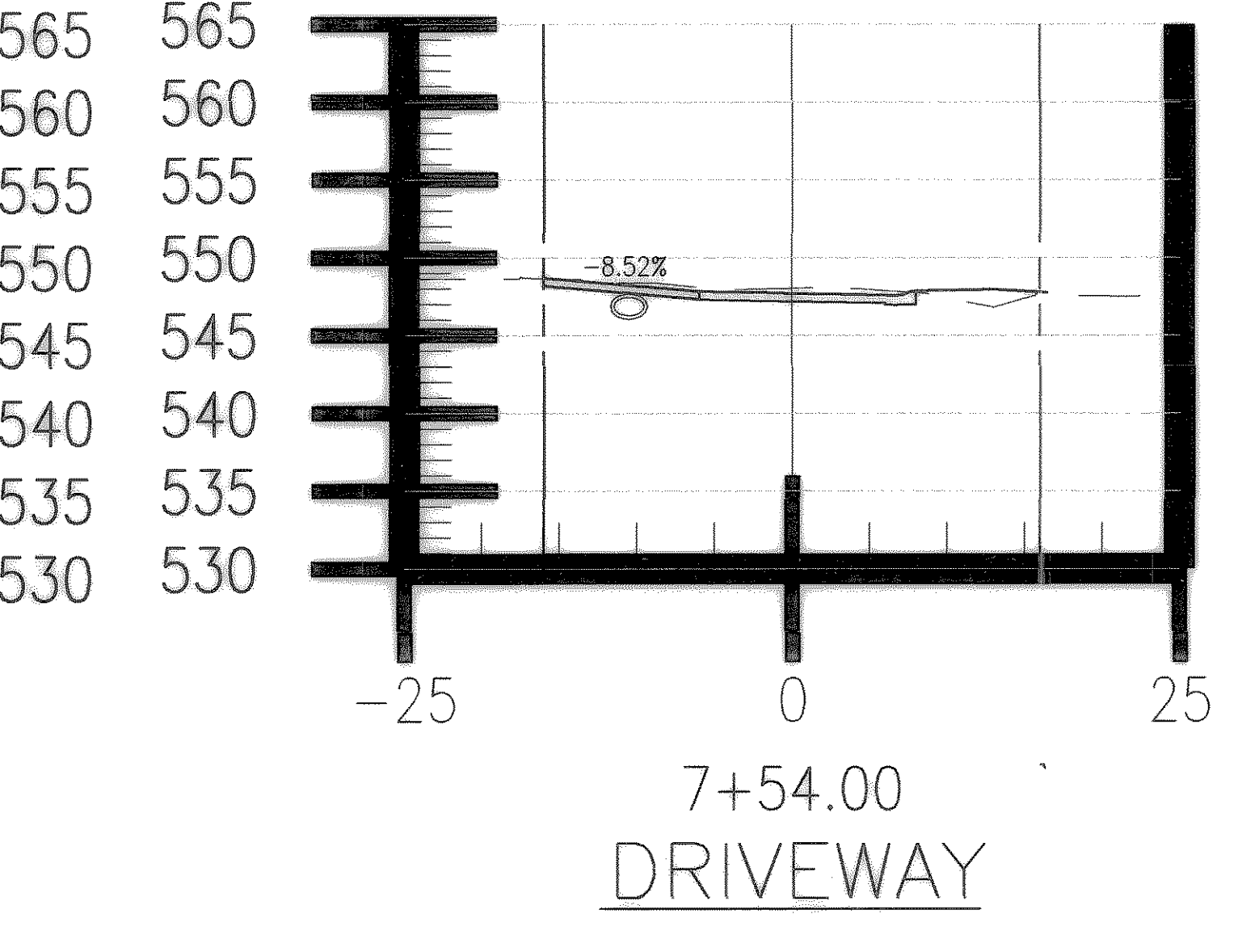
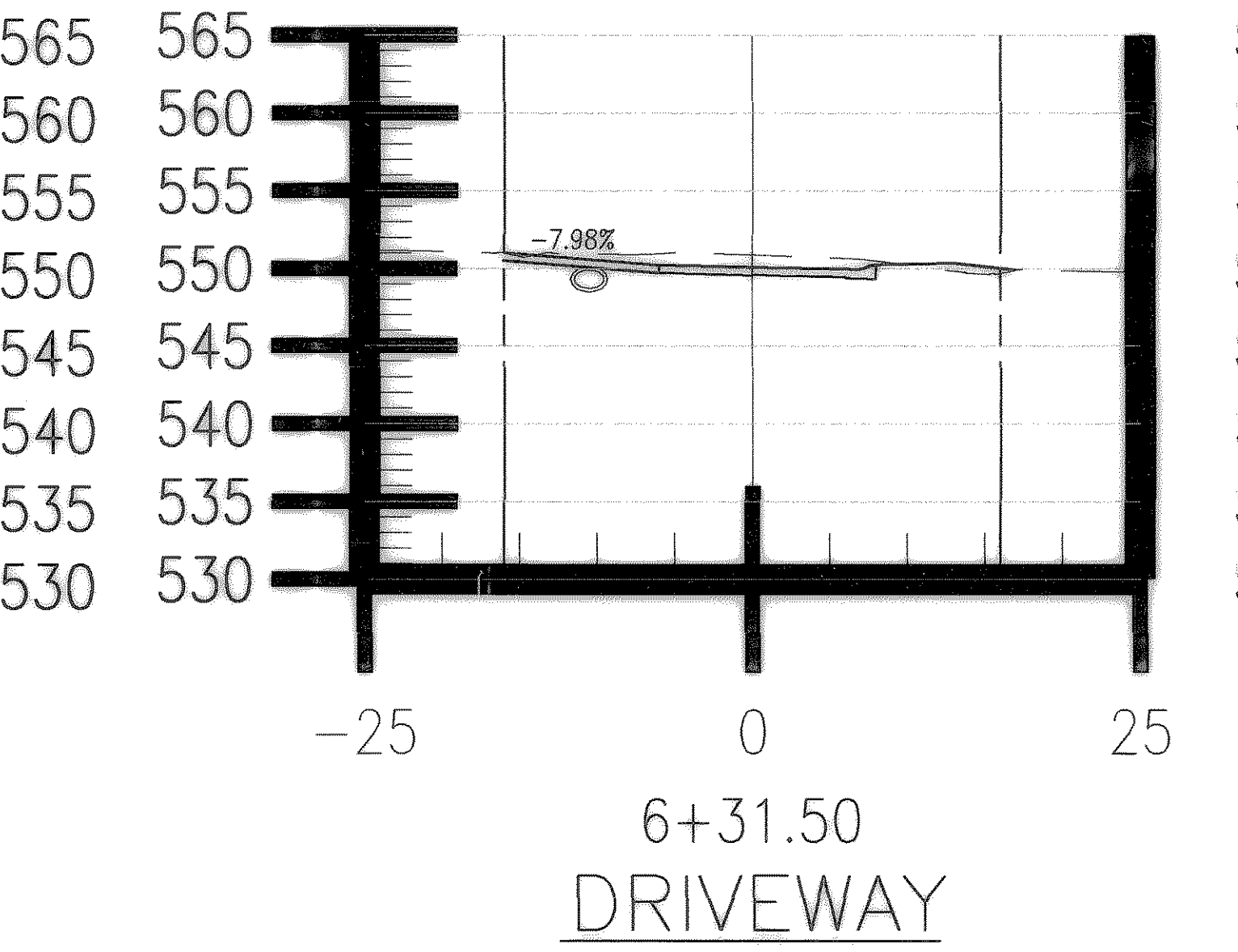
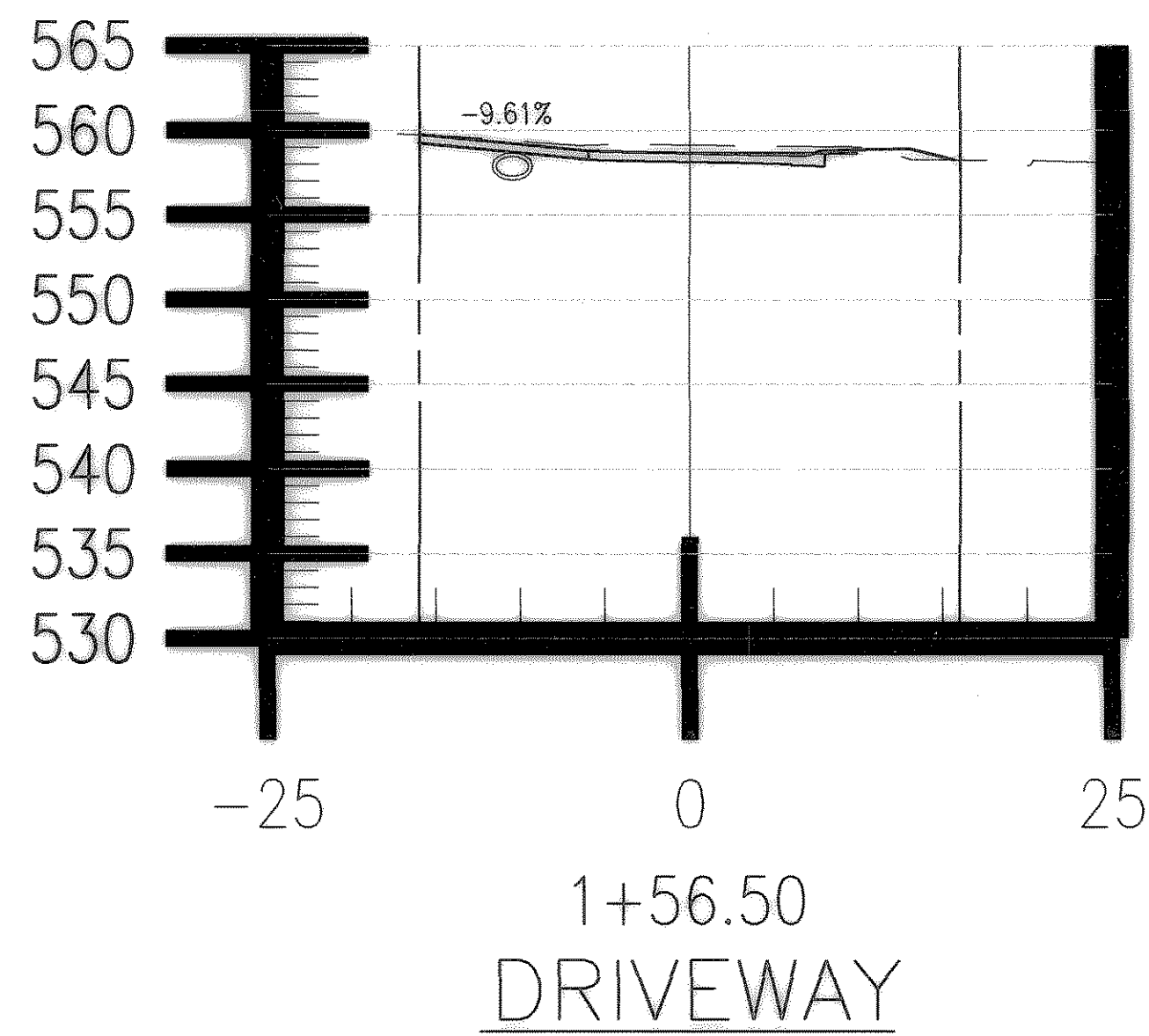
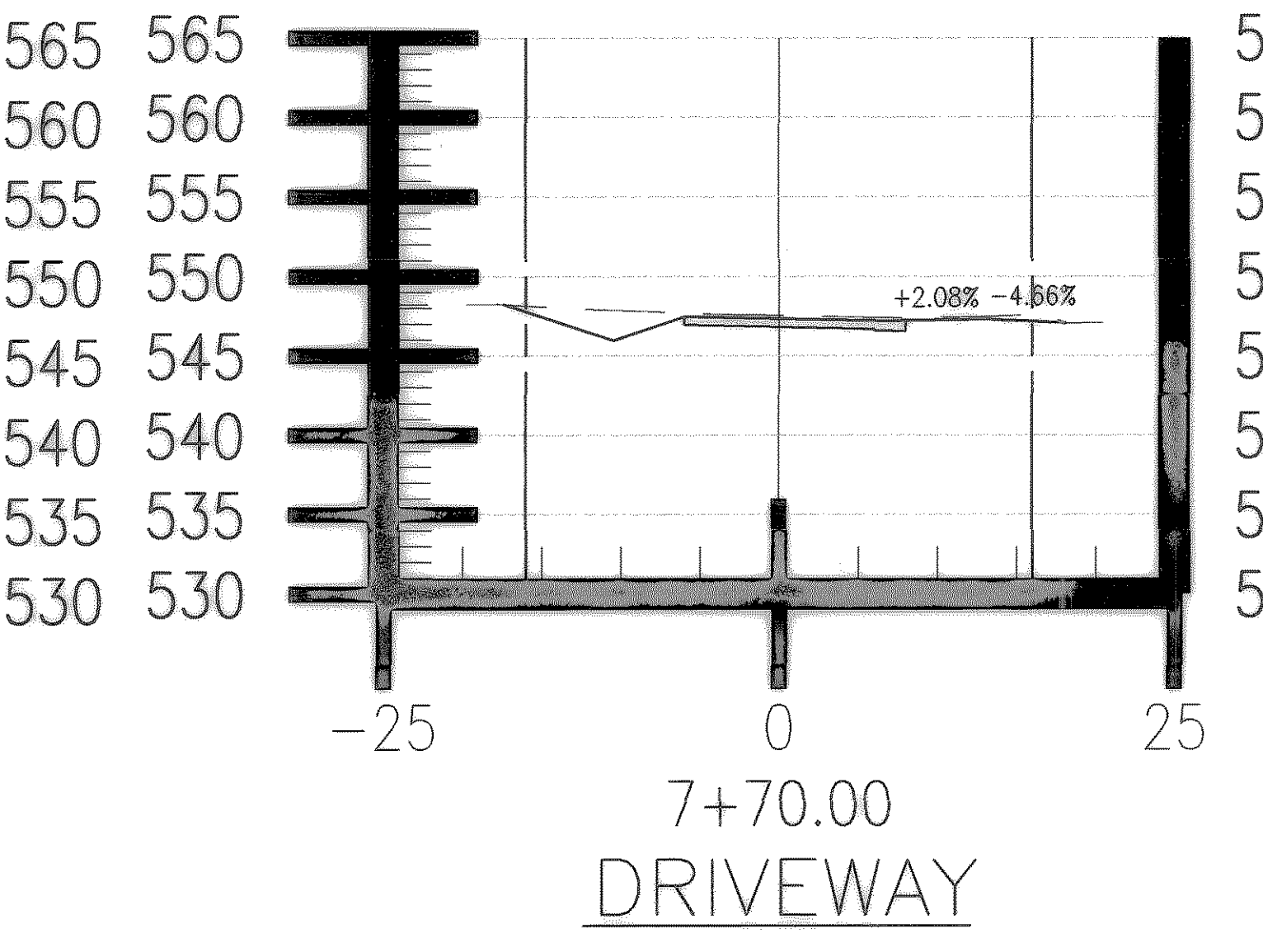
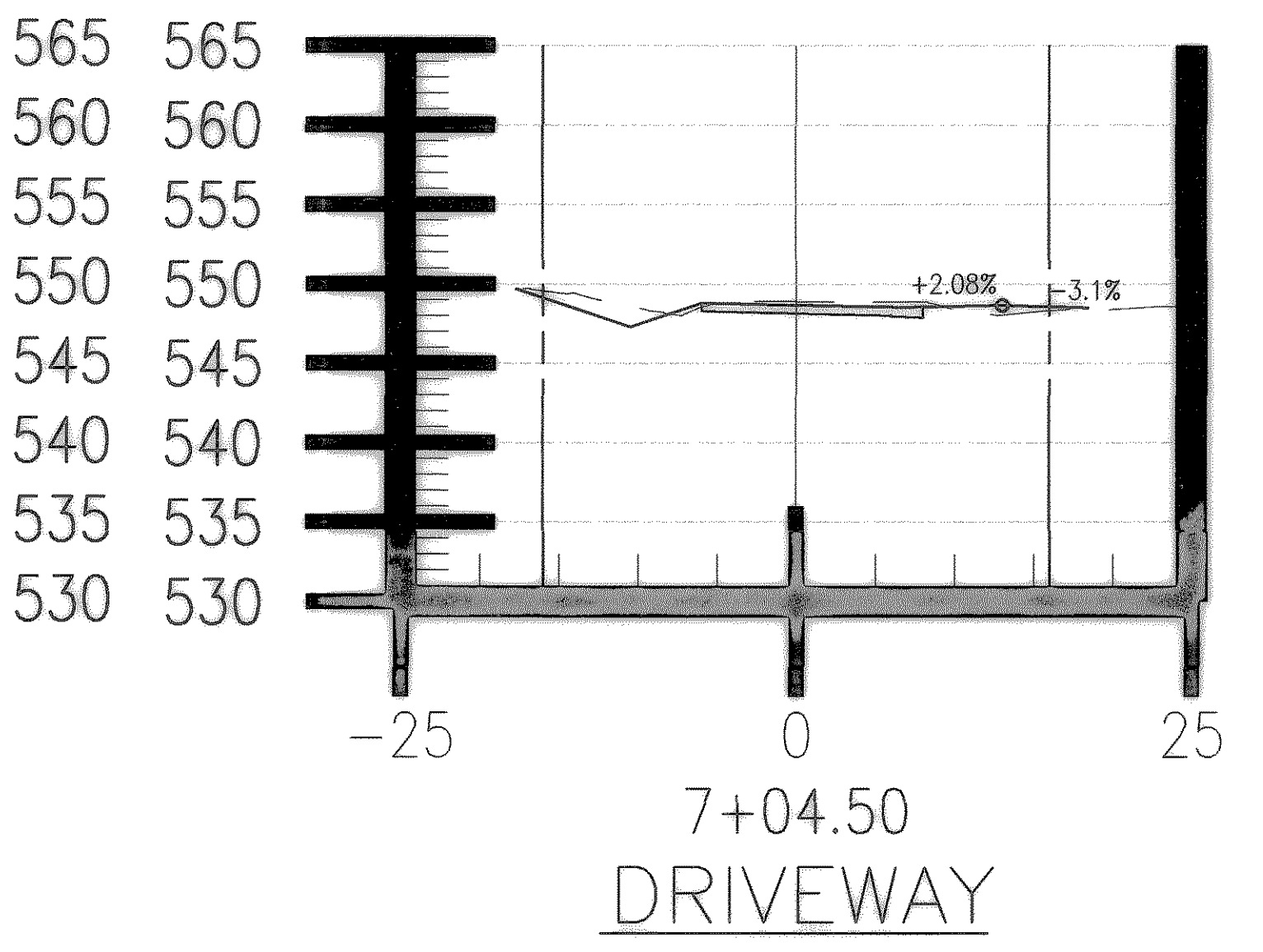
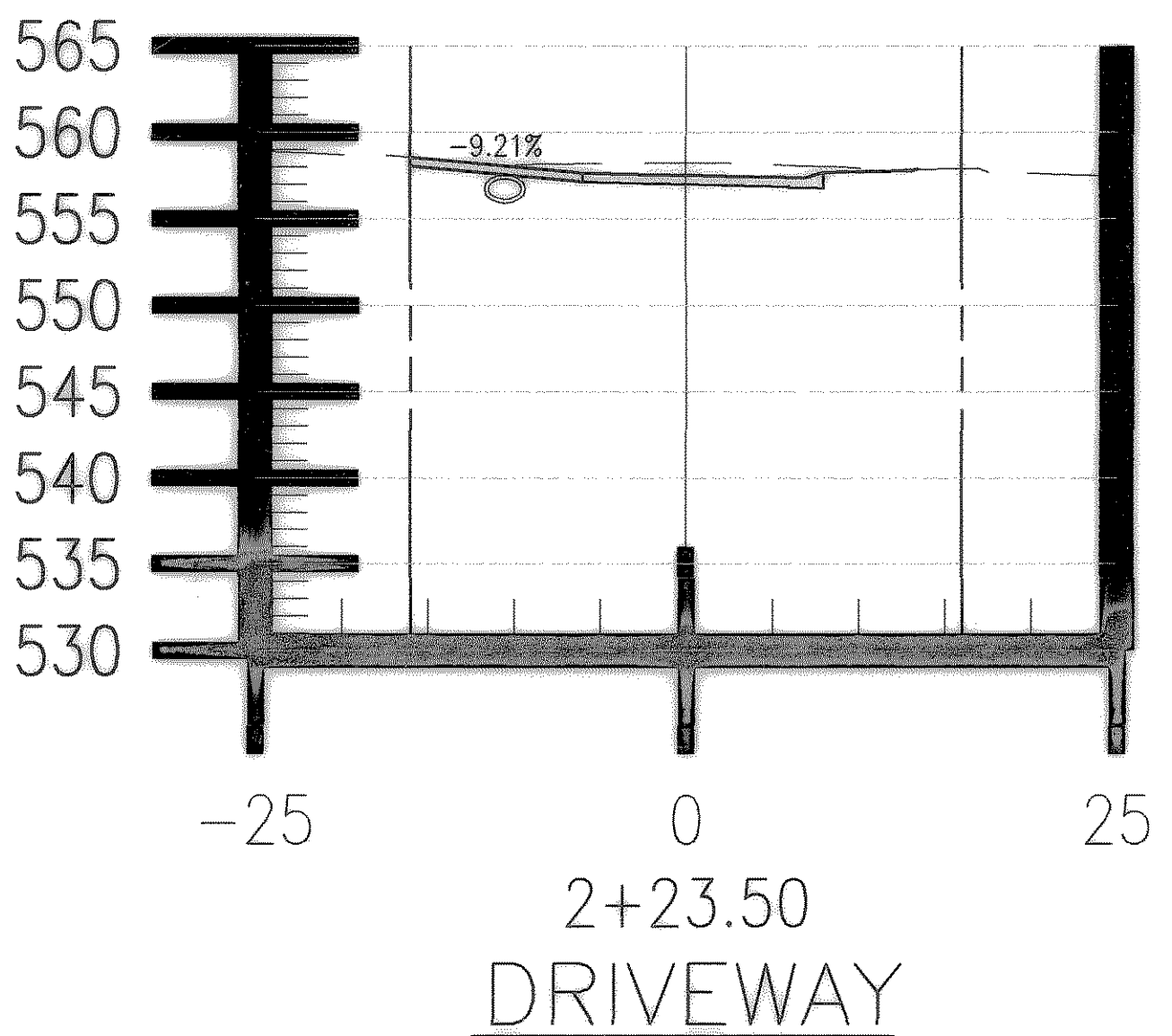
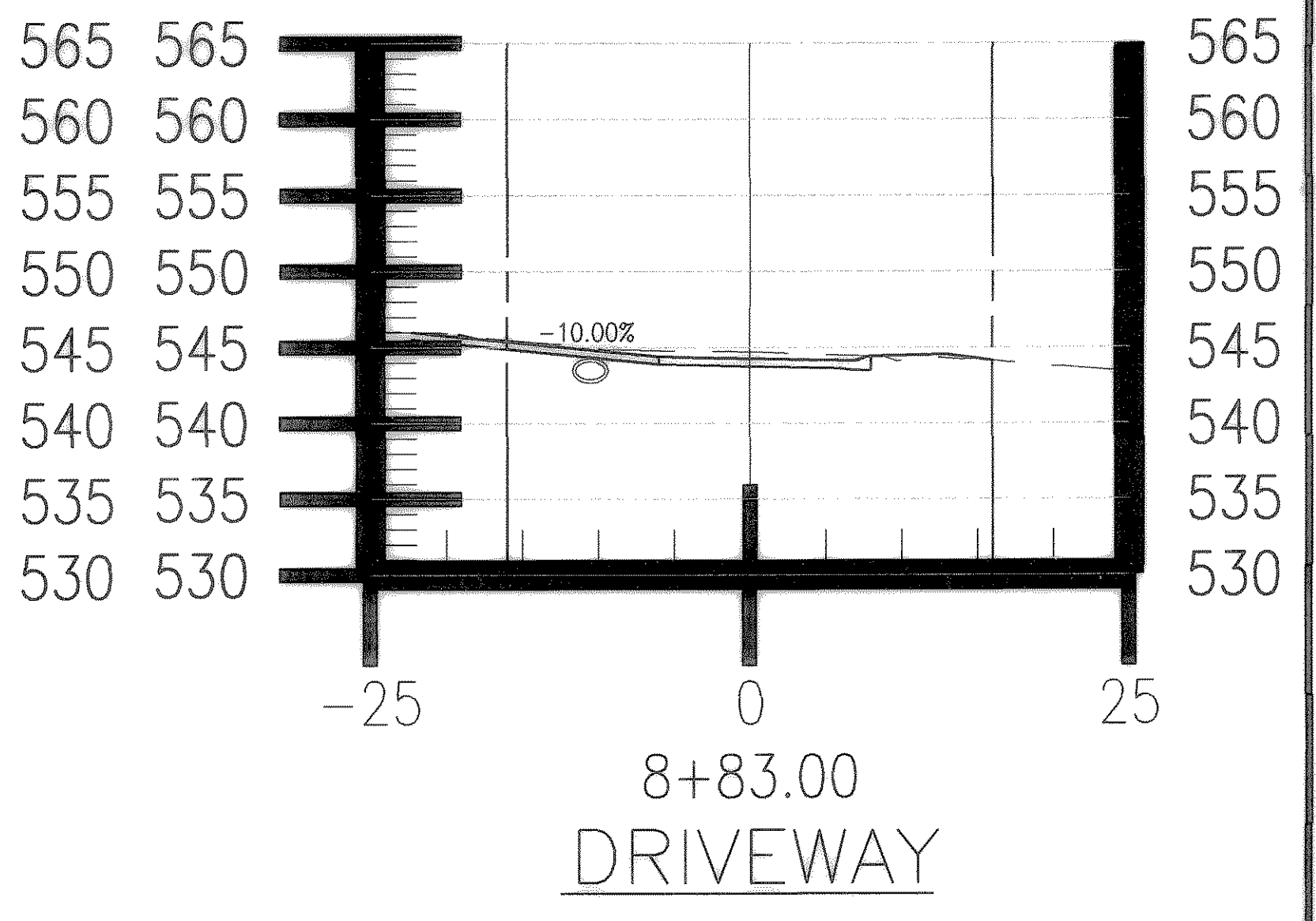
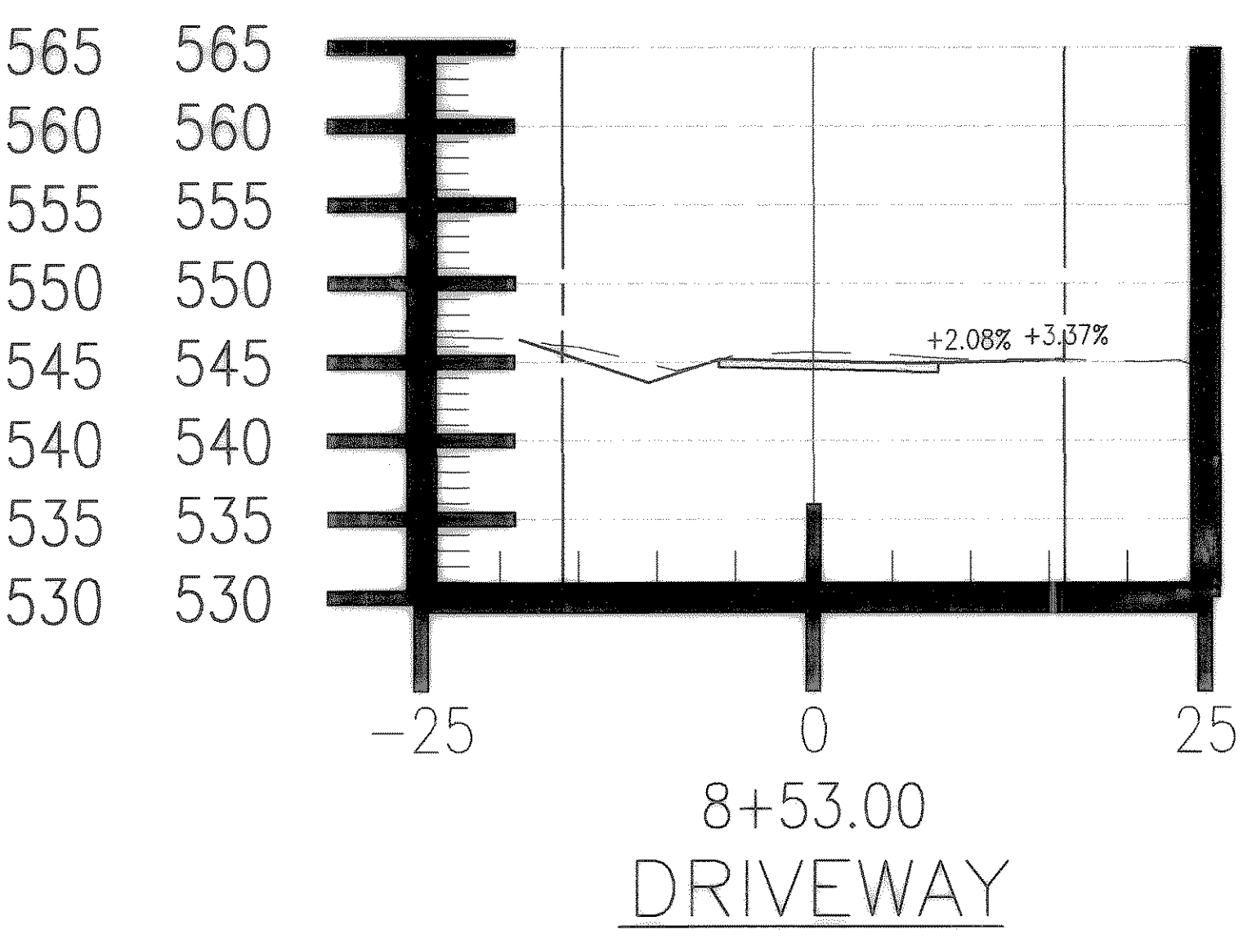
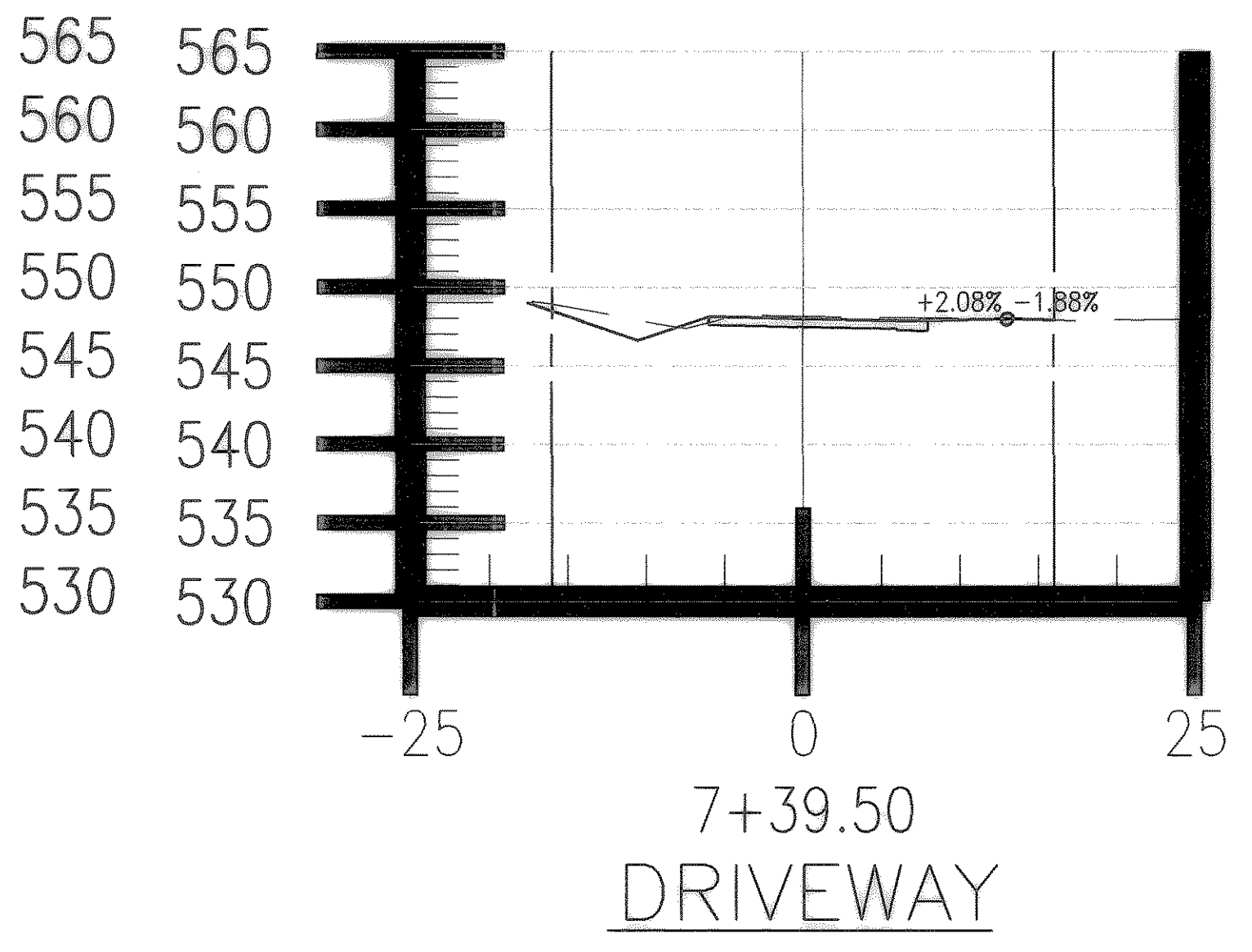
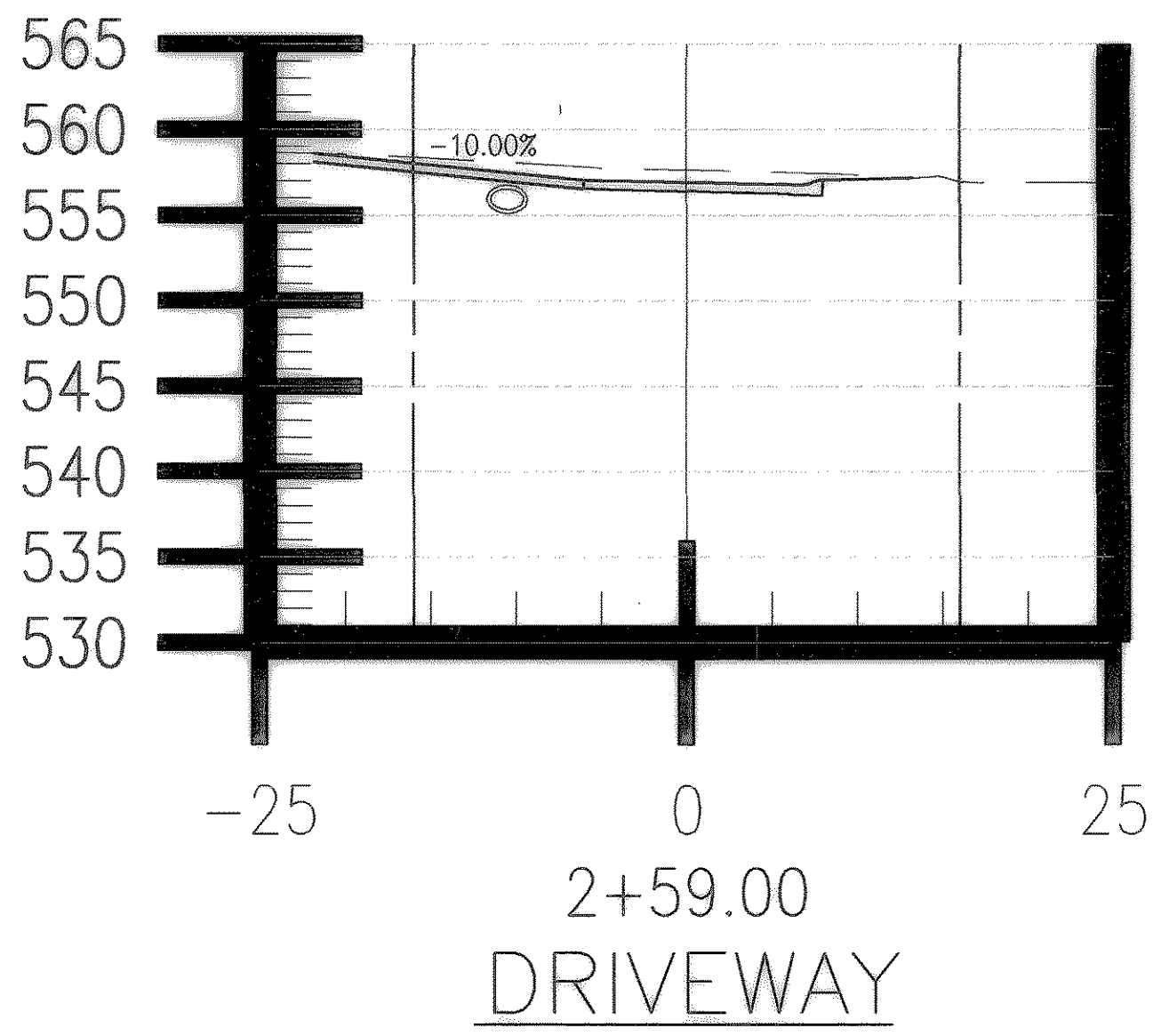


H:\ROCKWALL\2003120\INROADS\CROSS-SEC\ALLEY-XSECT.DWG SCALE: 1"=20' XREF: ROCKWALL\2003120\BASE\PROP-BASE



These plans and related specifications were prepared for construction of this specific project only. Reuse of these documents is not permitted without written authorization of Birkhoff, Hendricks & Conway, L.L.P.

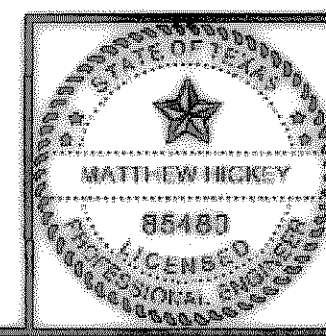
CITY OF ROCKWALL, TEXAS

CLARK STREET
ALLEY CROSS SECTIONS
WILLIAMS TO HEATH

BIRKHOFF, HENDRICKS & CONWAY, L.L.P.
CONSULTING ENGINEERS
Dallas, Texas

REVISED TO CONFORM
TO CONSTRUCTION RECORDS
BY M.H. DATE 12/04/2006

THESE DOCUMENTS ARE FOR
BIDDING, CONSTRUCTION,
AND PERMIT PURPOSES.
Matthew Hickey
DATE: 8/2/04



DESIGNED BY: M.H. PROJECT: 2003-120 SHEET NO. 155
DRAWN BY: B.H.C. DATE: AUGUST, 2004 OF 1 SHEETS