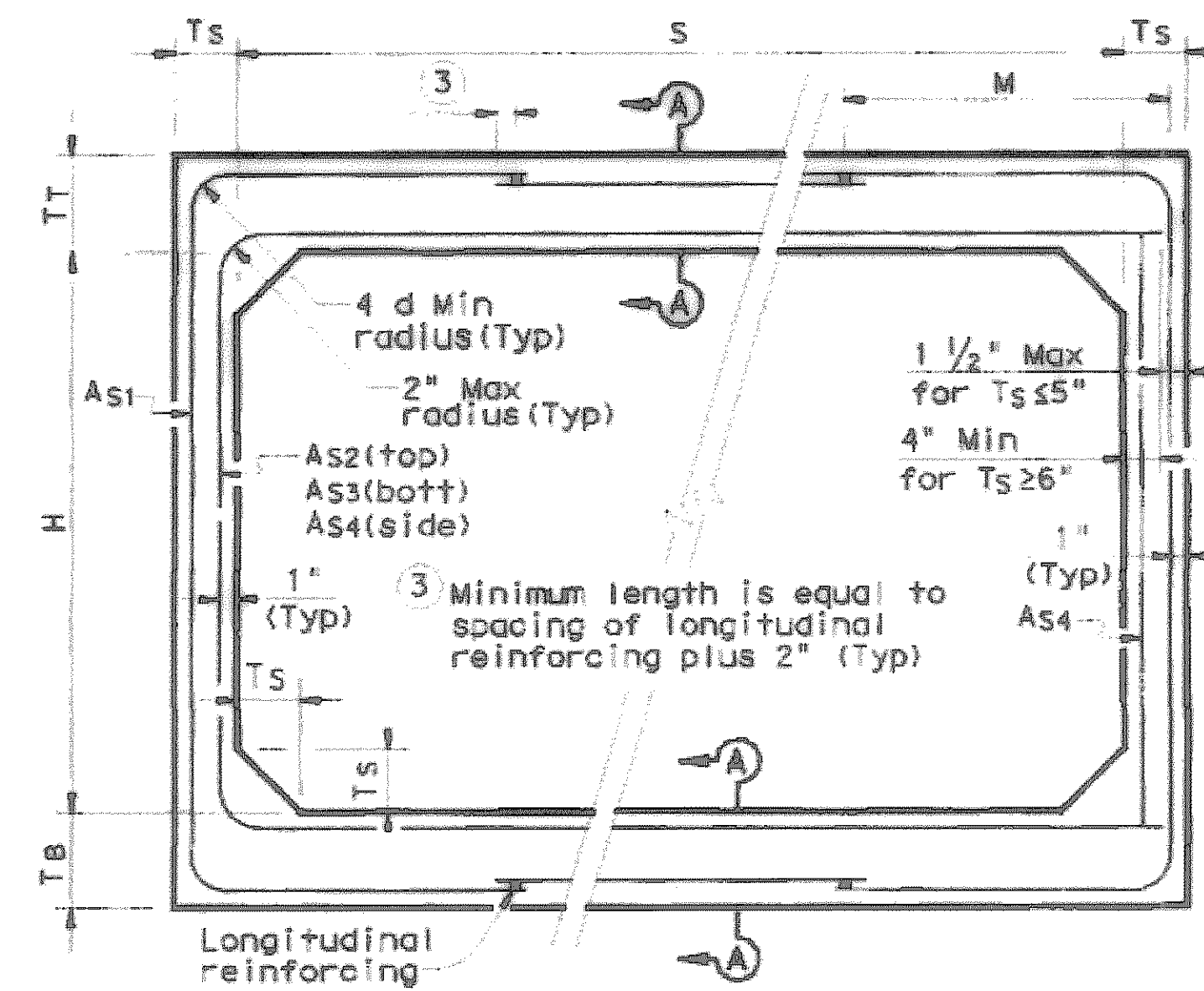


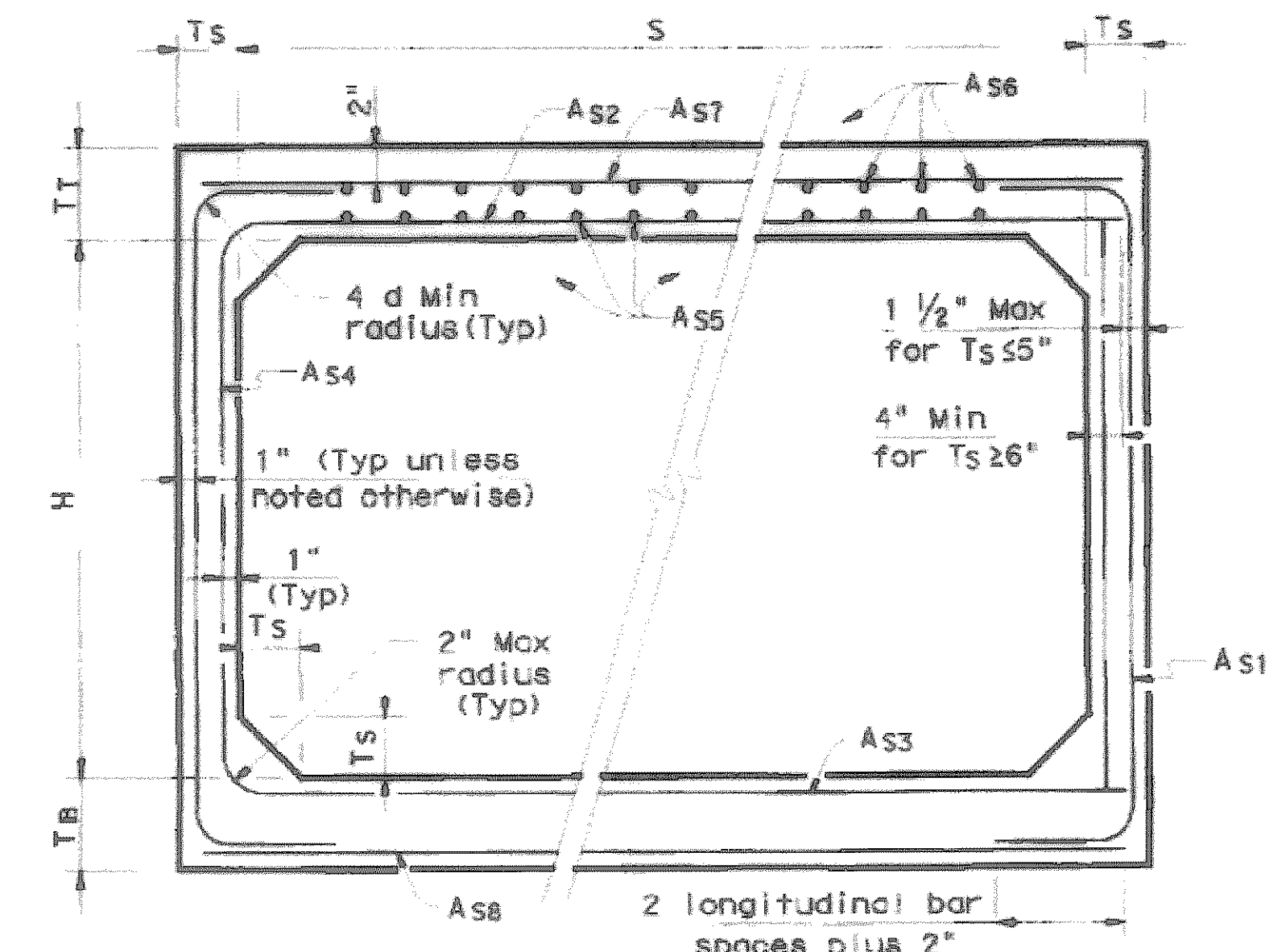
**BOX DATA**

SECTION DIMENSIONS					Fill Height (ft)	M (Min) (in)	REINFORCING (in <sup>2</sup> /ft)								Lift Weight (Tons)	Governing ASTM Standard
S (ft)	H (ft)	T <sub>T</sub> (in)	T <sub>B</sub> (in)	T <sub>S</sub> (in)			A <sub>S1</sub>	A <sub>S2</sub>	A <sub>S3</sub>	A <sub>S4</sub>	A <sub>S7</sub>	A <sub>S8</sub>	A <sub>S5</sub>	A <sub>S6</sub>		
6	3	8	7	7	< 2	-	0.30	0.42	0.21	0.17	0.19	0.17	0.19	0.19	7.9	C 850
6	3	7	7	7	2	29	0.30	0.29	0.22	0.17	-	-	-	-	7.5	C 789
6	3	7	7	7	3	24	0.21	0.19	0.18	0.17	-	-	-	-	7.5	C 789
6	3	7	7	7	4	24	0.18	0.17	0.17	0.17	-	-	-	-	7.5	C 789
6	3	7	7	7	5	24	0.17	0.17	0.17	0.17	-	-	-	-	7.5	C 789
6	3	7	7	7	6	23	0.17	0.17	0.17	0.17	-	-	-	-	7.5	C 789
6	3	7	7	7	8	23	0.17	0.18	0.18	0.17	-	-	-	-	7.5	C 789
6	3	7	7	7	10	23	0.20	0.20	0.21	0.17	-	-	-	-	7.5	C 789
6	3	7	7	7	12	23	0.23	0.23	0.24	0.17	-	-	-	-	7.5	C 789
6	3	7	7	7	14	23	0.26	0.26	0.26	0.17	-	-	-	-	7.5	C 789
6	3	7	7	7	16	23	0.28	0.29	0.29	0.17	-	-	-	-	7.5	C 789
6	3	7	7	7	18	23	0.31	0.32	0.32	0.17	-	-	-	-	7.5	C 789
6	4	8	7	7	< 2	-	0.26	0.46	0.24	0.17	0.19	0.17	0.20	0.19	8.6	C 850
6	4	7	7	7	2	28	0.26	0.33	0.26	0.17	-	-	-	-	8.2	C 789
6	4	7	7	7	3	25	0.18	0.22	0.21	0.17	-	-	-	-	8.2	C 789
6	4	7	7	7	4	24	0.17	0.19	0.19	0.17	-	-	-	-	8.2	C 789
6	4	7	7	7	5	23	0.17	0.18	0.19	0.17	-	-	-	-	8.2	C 789
6	4	7	7	7	6	23	0.17	0.18	0.19	0.17	-	-	-	-	8.2	C 789
6	4	7	7	7	8	23	0.17	0.20	0.21	0.17	-	-	-	-	8.2	C 789
6	4	7	7	7	10	22	0.18	0.23	0.24	0.17	-	-	-	-	8.2	C 789
6	4	7	7	7	12	22	0.20	0.26	0.26	0.17	-	-	-	-	8.2	C 789
6	4	7	7	7	14	22	0.22	0.29	0.30	0.17	-	-	-	-	8.2	C 789
6	4	7	7	7	16	22	0.24	0.32	0.33	0.17	-	-	-	-	8.2	C 789
6	4	7	7	7	18	22	0.27	0.35	0.36	0.17	-	-	-	-	8.2	C 789
6	5	8	7	7	< 2	-	0.23	0.48	0.26	0.17	0.19	0.17	0.21	0.19	9.3	C 850
6	5	7	7	7	2	33	0.24	0.36	0.29	0.17	-	-	-	-	8.9	C 789
6	5	7	7	7	3	27	0.17	0.24	0.23	0.17	-	-	-	-	8.9	C 789
6	5	7	7	7	6	25	0.17	0.20	0.21	0.17	-	-	-	-	8.9	C 789
6	5	7	7	7	8	23	0.17	0.21	0.22	0.17	-	-	-	-	8.9	C 789
6	5	7	7	7	10	23	0.17	0.24	0.25	0.17	-	-	-	-	8.9	C 789
6	5	7	7	7	12	23	0.17	0.27	0.29	0.17	-	-	-	-	8.9	C 789
6	5	7	7	7	14	23	0.19	0.31	0.32	0.17	-	-	-	-	8.9	C 789
6	5	7	7	7	16	22	0.21	0.34	0.35	0.17	-	-	-	-	8.9	C 789
6	5	7	7	7	18	22	0.23	0.37	0.39	0.17	-	-	-	-	8.9	C 789
6	6	8	7	7	< 2	-	0.20	0.51	0.29	0.17	0.19	0.17	0.22	0.19	10.0	C 850
6	6	7	7	7	2	48	0.22	0.39	0.31	0.17	-	-	-	-	9.6	C 789
6	6	7	7	7	3	33	0.17	0.26	0.25	0.17	-	-	-	-	9.6	C 789
6	6	7	7	7	4	29	0.17	0.22	0.23	0.17	-	-	-	-	9.6	C 789
6	6	7	7	7	5	27	0.17	0.21	0.22	0.17	-	-	-	-	9.6	C 789
6	6	7	7	7	6	26	0.17	0.21	0.22	0.17	-	-	-	-	9.6	C 789
6	6	7	7	7	8	25	0.17	0.22	0.24	0.17	-	-	-	-	9.6	C 789
6	6	7	7	7	10	24	0.17	0.25	0.27	0.17	-	-	-	-	9.6	C 789
6	6	7	7	7	12	24	0.17	0.28	0.30	0.17	-	-	-	-	9.6	C 789
6	6	7	7	7	14	24	0.17	0.32	0.33	0.17	-	-	-	-	9.6	C 789
6	6	7	7	7	16	24	0.19	0.35	0.37	0.17	-	-	-	-	9.6	C 789
6	6	7	7	7	18	23	0.21	0.38	0.40	0.17	-	-	-	-	9.6	C 789



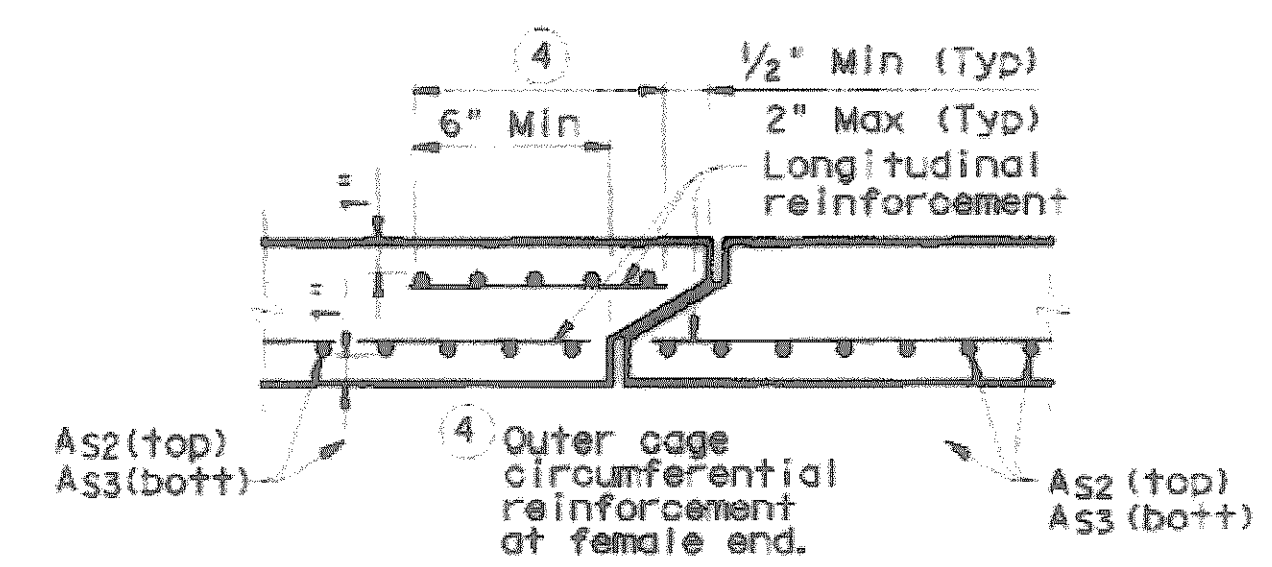
C789 CORNER OPTION "A"      C789 CORNER OPTION "B"

**ASTM C789 STANDARD**



C850 CORNER OPTION "A"      C850 CORNER OPTION "B"

**ASTM C850 STANDARD**



**SECTION A-A**  
(TOP AND BOTTOM SLAB JOINT REINFORCEMENT)

**GENERAL NOTES:**  
 Designs shown conform to ASTM C789 or ASTM C850. Refer to ASTM C789 or ASTM C850 for information or details not shown.  
 For ASTM C789 designs, all reinforcing steel shall have a minimum specified yield stress of 65 ksi.  
 For ASTM C850 designs, all reinforcing steel shall have a minimum specified yield stress of 60 ksi.  
 All concrete shall be Class "H" Concrete with a minimum 28 day compressive strength of 5,000 psi.  
 See SCP-MD standard sheet for miscellaneous details and notes not shown.  
 Designed to the maximum fill height shown. In lieu of furnishing the designs shown on this sheet, the contractor may furnish an alternate design that is equal to or exceeds the box design for the design fill height in the table. Shop plans for alternate designs shall be submitted in accordance with Item "Precast Concrete Structures".

HS20 LOADING

Texas Department of Transportation  
Bridge Division

**SINGLE BOX CULVERTS  
PRECAST  
6'-0" SPAN**

**SCP-6**

FILE#	DATE	BY	CHK	APP	DATE
11001	December 2003				
DISTRICT		FEDERAL AID PROJECT		SHEET	
COUNTY		CONTRACT		166	

① For Box Length = 8'-0"  
 ② As1 thru As4, As7 and As8 are minimum required areas of reinforcement per linear foot of box length. As5 and As6 are minimum required areas of reinforcement per linear foot of box width.