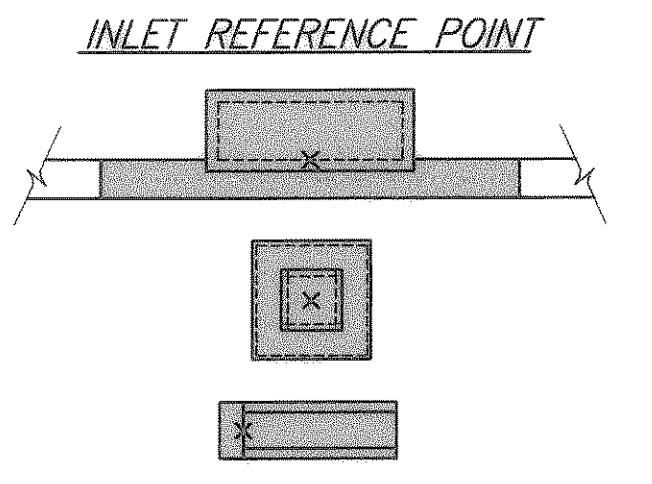
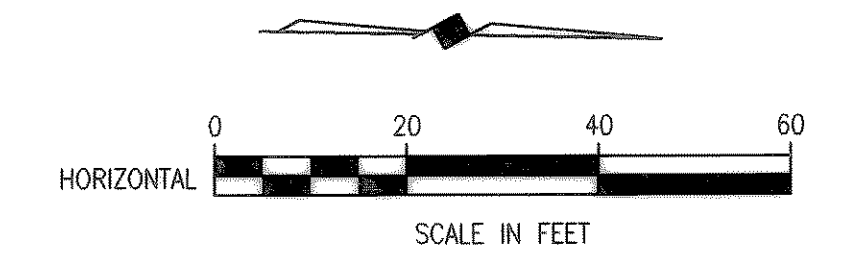
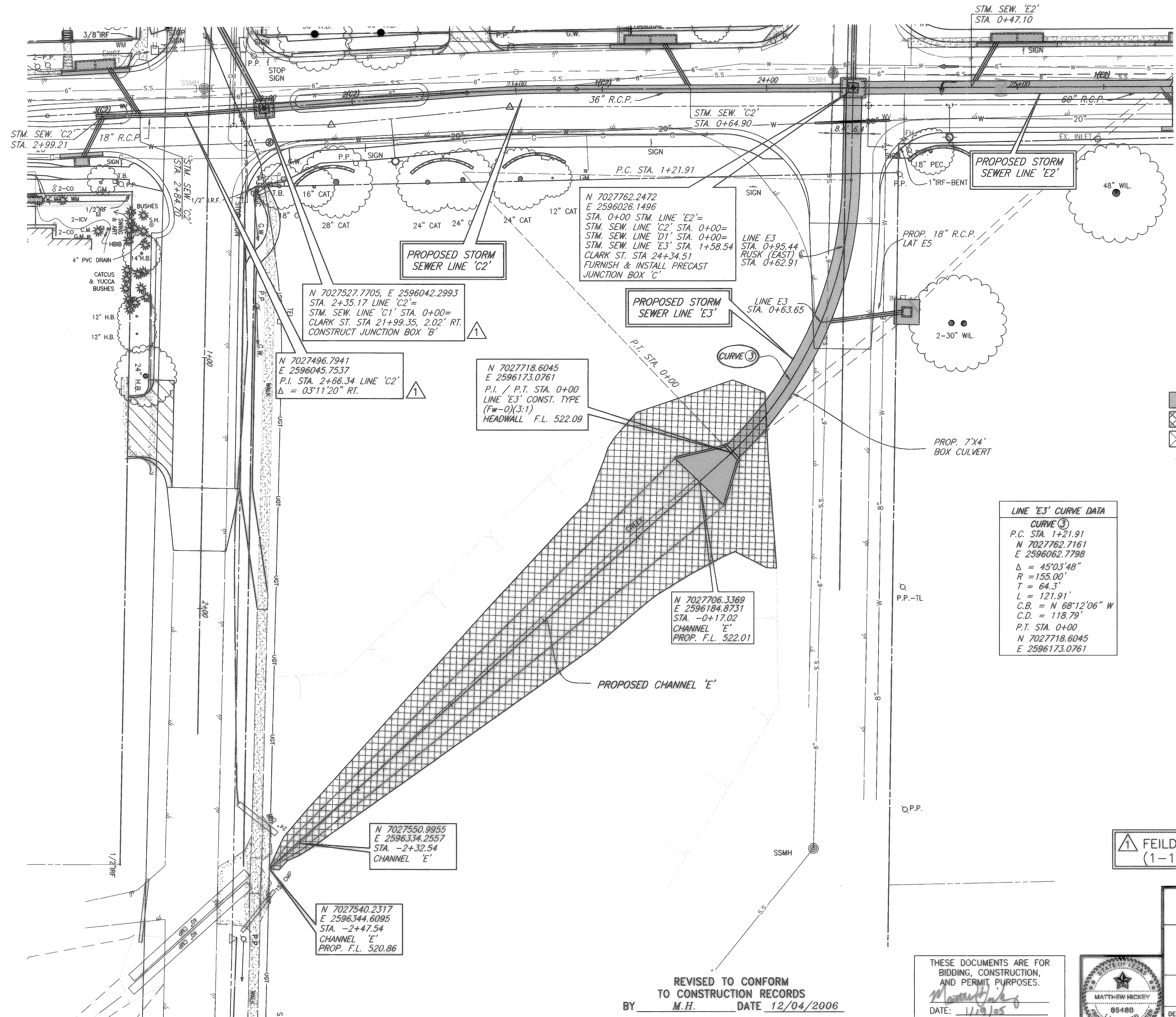


H:\ROCKWALL\2003120\PLAN-SHEETS\2003120-STW-P-05A.DWG SCALE: 1"=20' XREF: ROCKWALL\2003120\BASE\PROP-BASE 01/18/05 R.L.

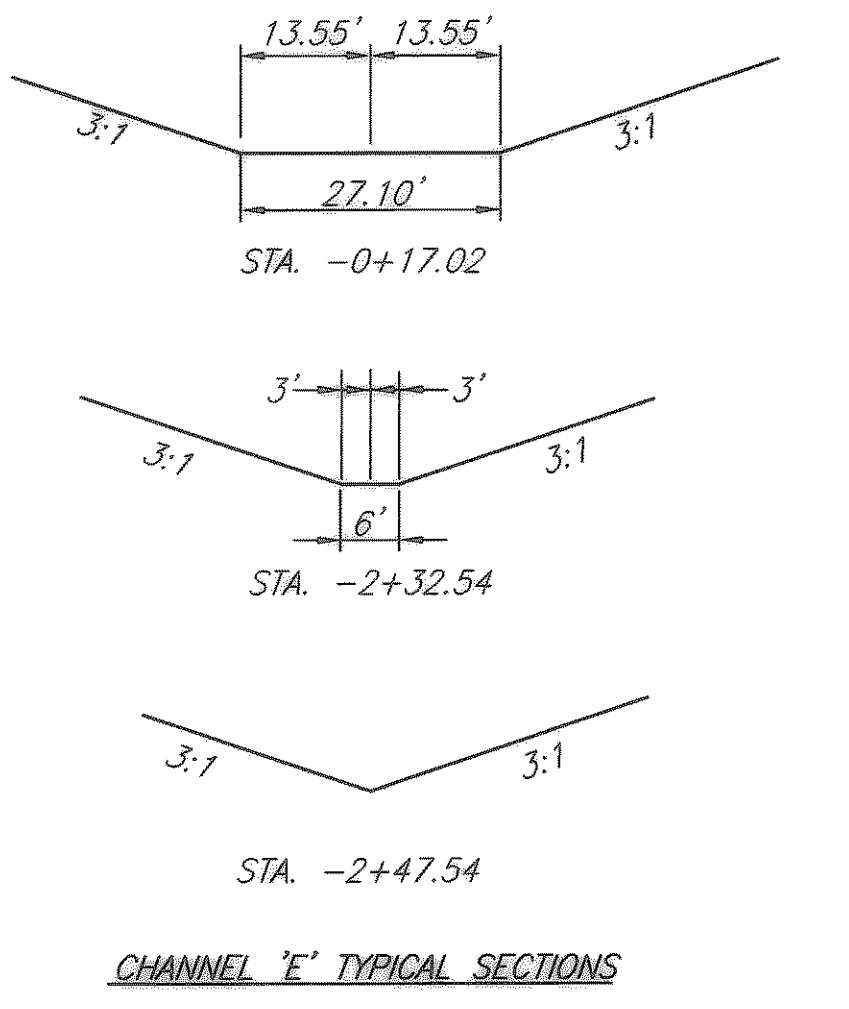


- LEGEND**
- PROPOSED STORM SEWER OR INLET
 - PROPOSED TURF REINFORCED MAT W/HYDROMULCH SEED
 - REMOVE EXIST. STORM SEWER
 - PROPOSED STORM SEWER STATIONING

LINE 'E3' CURVE DATA

CURVE ③

P.C. STA. 1+21.91
 N 7027762.7161
 E 2596062.7798
 $\Delta = 45^{\circ}03'48''$
 $R = 155.00'$
 $T = 64.3'$
 $L = 121.91'$
 C.B. = N 68°12'06" W
 C.D. = 118.79'
 P.T. STA. 0+00
 N 7027718.6045
 E 2596173.0761



FEILD CHANGE NO.1
(1-19-05)

These plans and related specifications were prepared for construction of this specific project only. Reuse of these documents is not permitted without written authorization of Birkhoff, Hendricks & Conway, L.L.P.

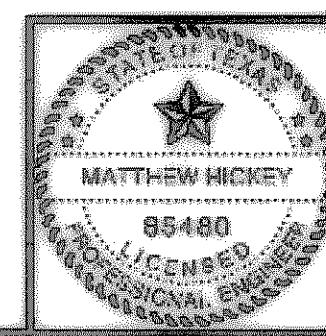
CITY OF ROCKWALL, TEXAS

CLARK STREET
STORM SEWER PLAN-5
LINES 'C1', 'C2', 'D1', 'E2', & 'E3'

BIRKHOFF, HENDRICKS & CONWAY, L.L.P.
 CONSULTING ENGINEERS
 Dallas, Texas

DESIGNED BY: M.H.	PROJECT: 2003-120	SHEET NO. 64
DRAWN BY: G.C.	DATE: AUGUST, 2004	OF SHEETS

THESE DOCUMENTS ARE FOR BIDDING, CONSTRUCTION, AND PERMIT PURPOSES.
DATE: 11/9/05



REVISED TO CONFORM TO CONSTRUCTION RECORDS
BY M.H. DATE 12/04/2006