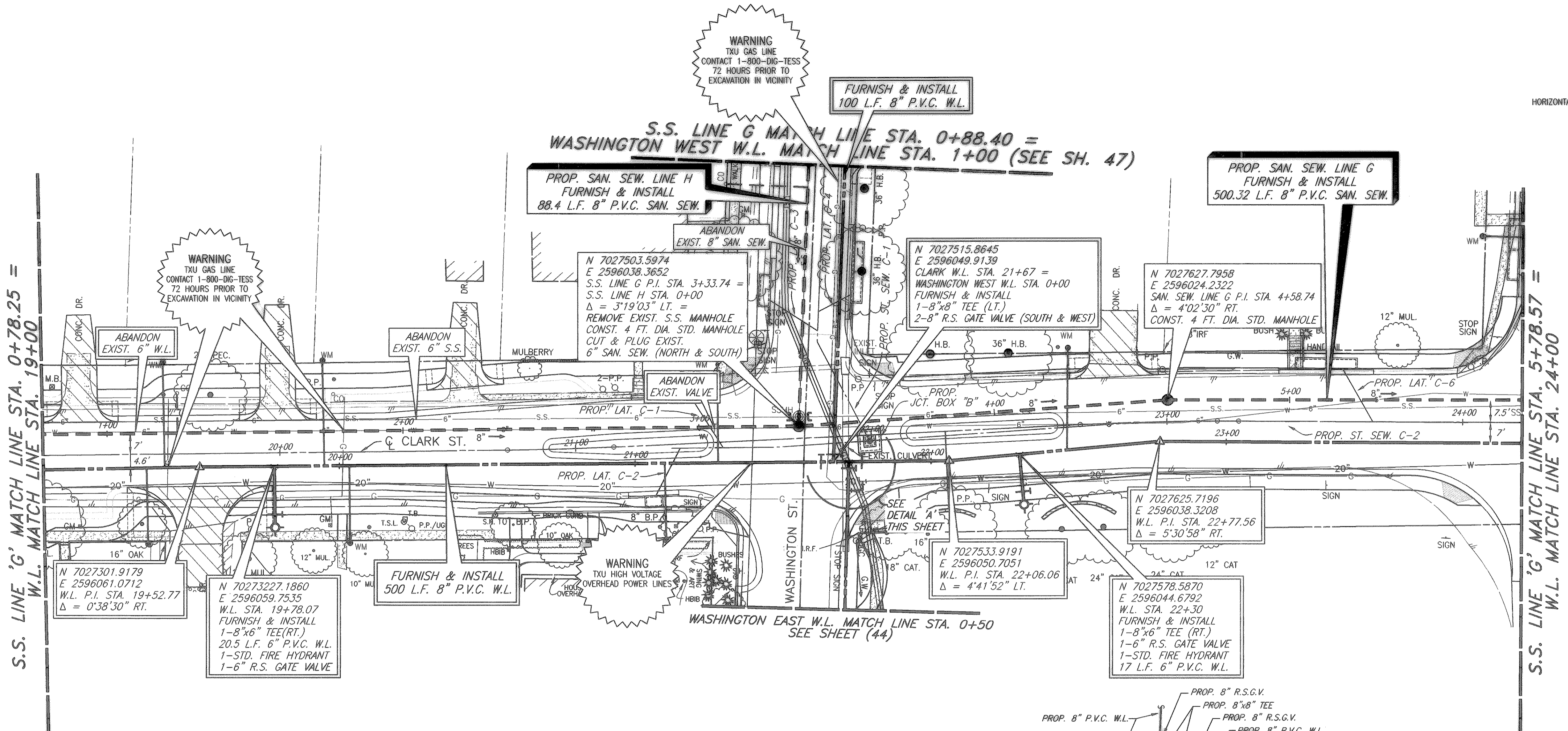
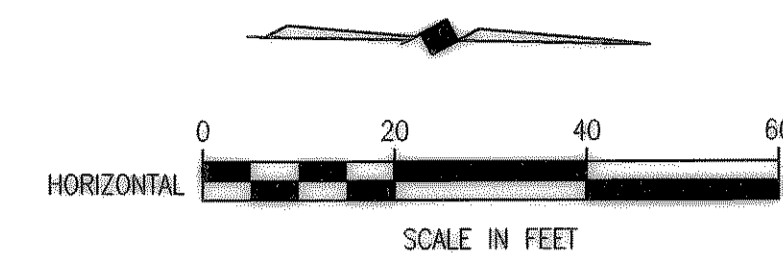


08/21/04 R.L. H:\ROCKWALL\2003120\PLAN-SHEETS\2003120--SAN-WL--5.DWG SCALE: 1=20 BLOCKS: ROCKWALL\2003120\X.Y. XREF: ROCKWALL\2003120\X.Y.



**LEGEND**  
 ○ — PROPOSED WATER SERVICE  
 — — PROPOSED SEWER SERVICE

**PROPOSED CLARK ST. WATER SERVICES**

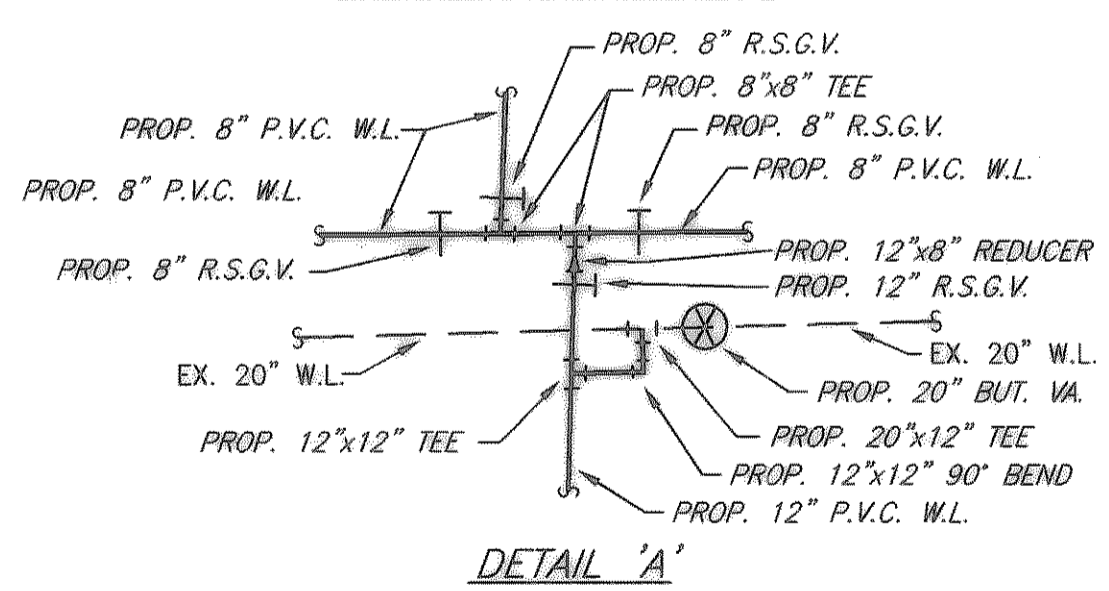
LOCATION	PROPOSED 1 INCH SERVICE
W.L. STA. 20+09.92	21 L.F. (RT.)
W.L. STA. 21+28.06	33 L.F. (LT.)
W.L. STA. 22+46.08	35 L.F. (LT.)
TOTAL: 89 L.F.	

FURNISH & INSTALL PROP. 1" OUTLET AND NEW 1" SDR-9 (POLYUBE) WATER SERVICE. TRANSFER OF WATER SERVICE SHALL INCLUDE METER BOX, FITTINGS, 1" SERVICE SADDLE, CONNECTION TO EXISTING SERVICE, AND INSTALLATION OF CITY PROVIDED METER AND SHALL BE PAID ON A PER EACH BASIS.

**PROPOSED LINE "H" SEWER SERVICES**

LOCATION	PROPOSED 4 INCH SERVICE
S.S. STA. 0+80.81	28 L.F. (LT.)
TOTAL: 28 L.F.	

FURNISH & INSTALL  
 1-8"x4" WYE  
 1-DOUBLE CLEANOUT  
 1-4" PLUG  
 CONNECT TO EXIST. SAN. SEW. SERVICE  
 PAYMENT FOR TRANSFER OF SANITARY SEWER SERVICE SHALL BE PAID ON A PER EACH BASIS.



**NOTE:**  
 1. WARNING!!! TXU GAS LINES CROSS PROPOSED CLARK & WASHINGTON EAST WATER LINES IN THE CLARK STREET & WASHINGTON EAST INTERSECTION. TXU GAS LINES PARALLEL PROP. WASHINGTON WEST W.L. CONTACT 1-800-DIG-TESS PRIOR TO EXCAVATION.  
 2. SEE SH. 44 FOR WASHINGTON EAST WATER LINE CONNECTION TO PROP. CLARK 8" W.L. & CONNECTION TO EXISTING 20 INCH WATER LINE.

These plans and related specifications were prepared for construction of this specific project only. Reuse of these documents is not permitted without written authorization of Birkhoff, Hendricks & Conway, L.L.P.

**CITY OF ROCKWALL, TEXAS**

**CLARK STREET  
 SANITARY SEWER & WATER LINE PLAN  
 W.L. STA. 19+00 TO W.L. STA. 24+00**

**BIRKHOFF, HENDRICKS & CONWAY, L.L.P.**  
 CONSULTING ENGINEERS  
 Dallas, Texas

DESIGNED BY: M.H.	PROJECT: 2003-120	SHEET NO. 38
DRAWN BY: B.H.C.	DATE: AUGUST, 2004	OF X SHEETS

REVISED TO CONFORM TO CONSTRUCTION RECORDS  
 BY M.H. DATE 12/04/2006

THESE DOCUMENTS ARE FOR BIDDING, CONSTRUCTION, AND PERMIT PURPOSES.  
 DATE: 8/24/04

