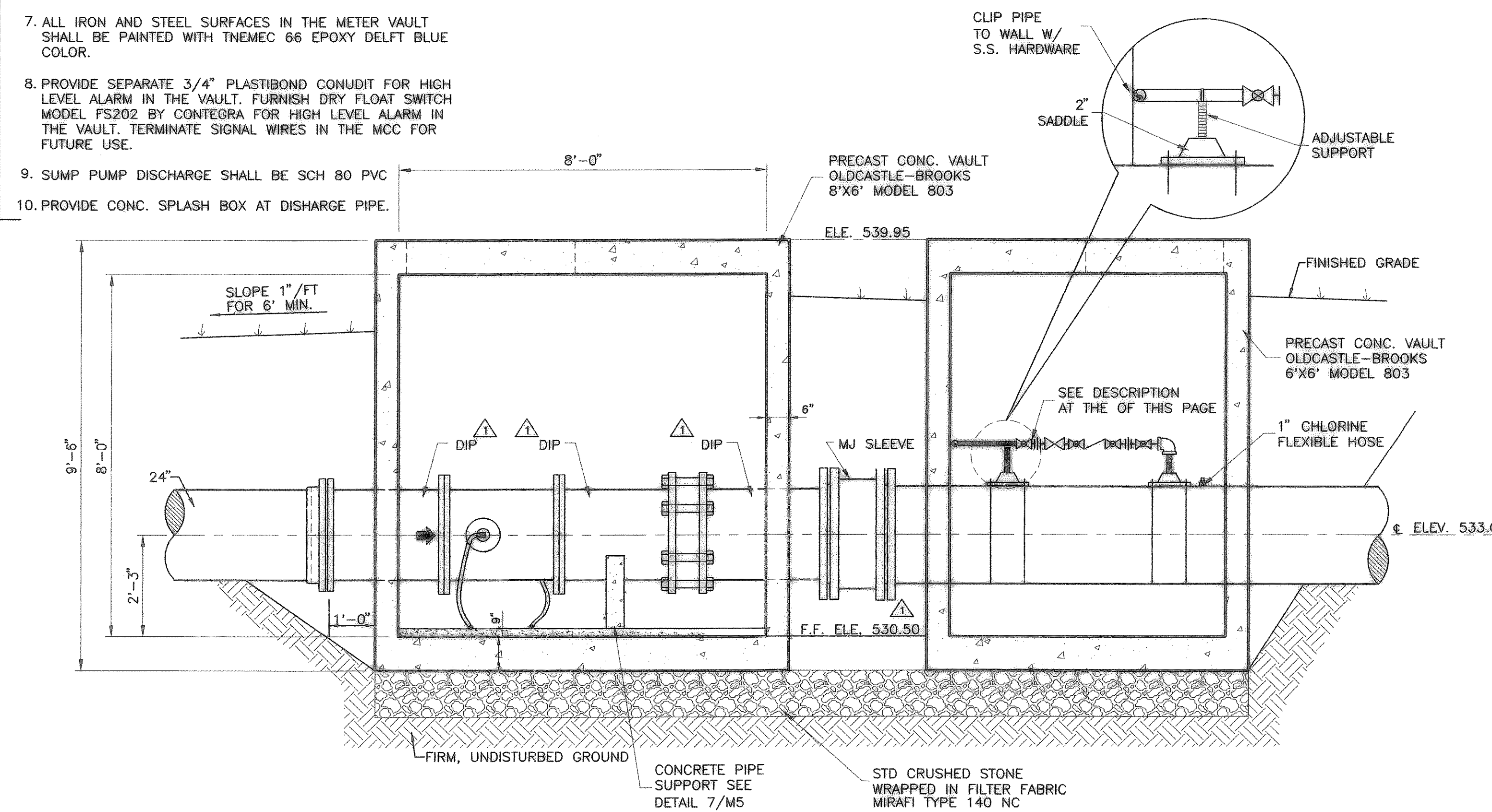


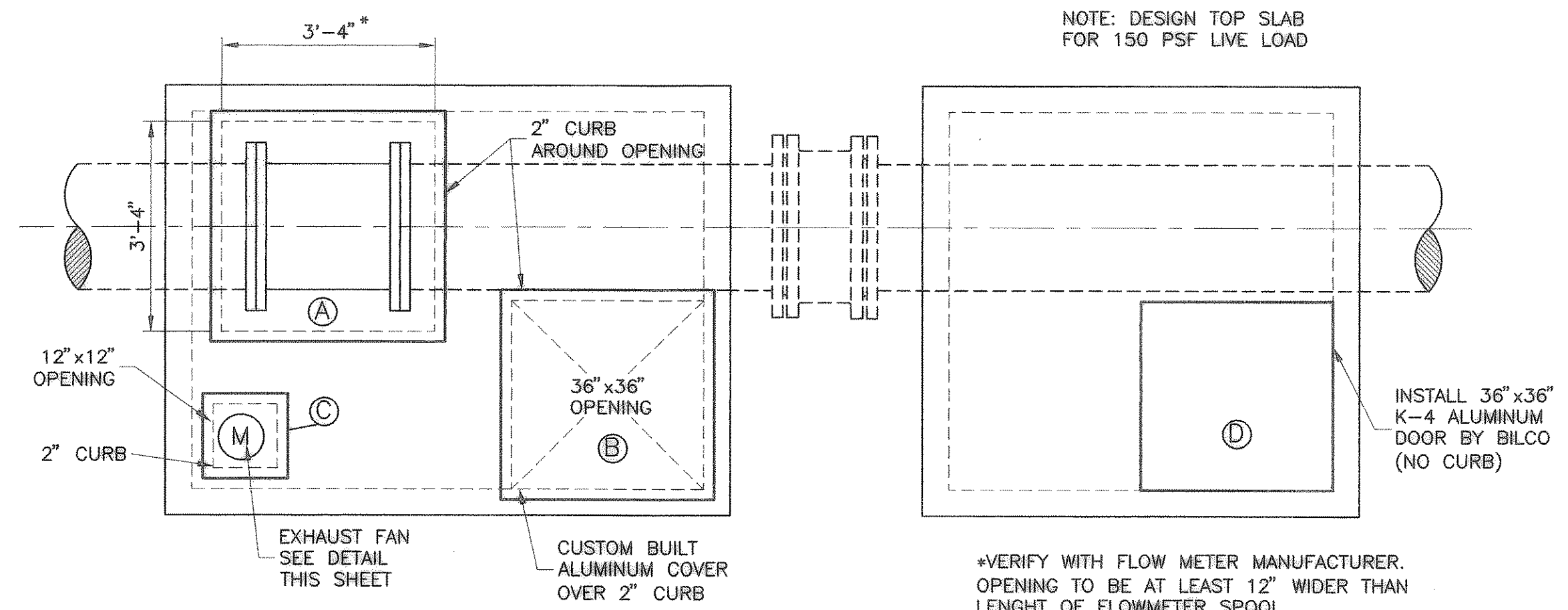
- NOTES:
1. BASE, WALL SECTION AND TOP SLAB TO BE FURNISHED AS SINGLE SHIPMENT BY OLDCASTLE - BROOKS. METER VAULT SHALL BE WATER TIGHT. NO VISIBLE LEAKAGE SHALL BE ACCEPTABLE.
 2. FLEX TITE CONDUITS INSIDE VAULT FOR FLOW THE METER SIGNALS. RIGID ALUMINUM CONDUIT ALL OTHER CONDUITS INSIDE VAULT. RIGID STEEL PLASTIC CONDUITS OUTSIDE VAULT TO P.S. PANELS.
 3. FURNISH AMMONIA PVC CONNECTION TO AMMONIA ROOM AND PLUG.
 4. APPLY TWO COATS OF DAMPPROFFING TO EXTERIOR OF VAULT WALLS BELOW GRADE.
 5. SLOPE VAULT TO SUMP.
 6. PLACE BITUMASTIC SEAL BETWEEN THE VAULT HATCHES AND THE TOP OF VAULT WALLS.
 7. ALL IRON AND STEEL SURFACES IN THE METER VAULT SHALL BE PAINTED WITH TNEC 66 EPOXY DELFT BLUE COLOR.
 8. PROVIDE SEPARATE 3/4" PLASTIBOND CONDUIT FOR HIGH LEVEL ALARM IN THE VAULT. FURNISH DRY FLOAT SWITCH MODEL FS202 BY CONTEGRA FOR HIGH LEVEL ALARM IN THE VAULT. TERMINATE SIGNAL WIRES IN THE MCC FOR FUTURE USE.
 9. SUMP PUMP DISCHARGE SHALL BE SCH 80 PVC.
 10. PROVIDE CONC. SPLASH BOX AT DISHARGE PIPE.

① VAULT PLAN - BELOW TOP SLAB
SCALE: 1/2" = 1'-0"

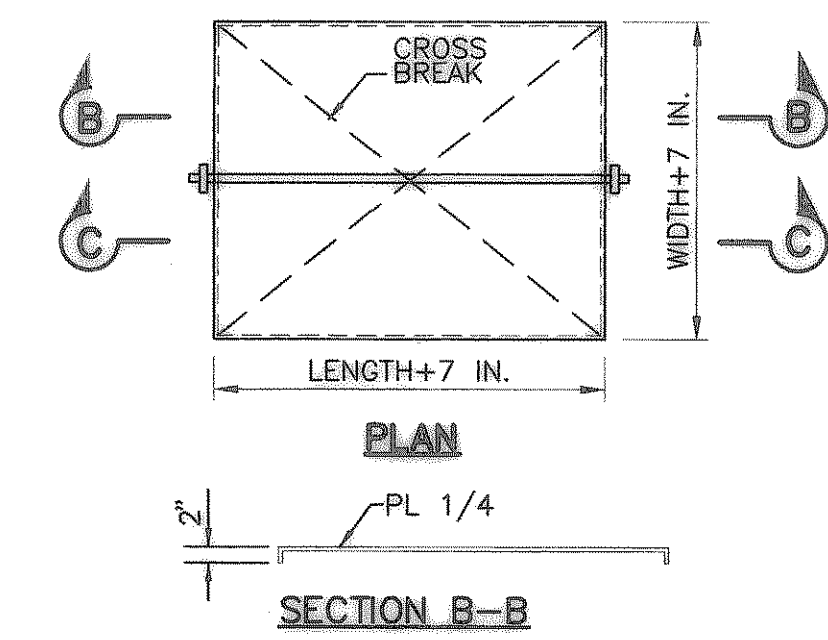
- ① 2" BALL VALVE
- ② 2" UNION
- ③ 2" BACKFLOW PREVENTER
- ④ 2" PRESSURE REDUCING VLV.
- ⑤ 2" BRONZE SADDLE W/ BRONZE STRAPS



③ SECTION A-A
SCALE: 1/4" = 1'-0"

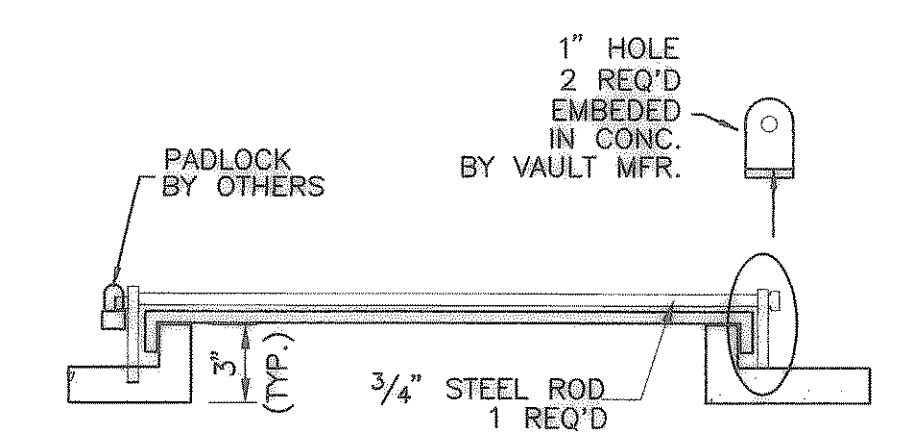


② VAULT PLAN - TOP OF SLAB
SCALE: 1/2" = 1'-0"



SECTION B-B

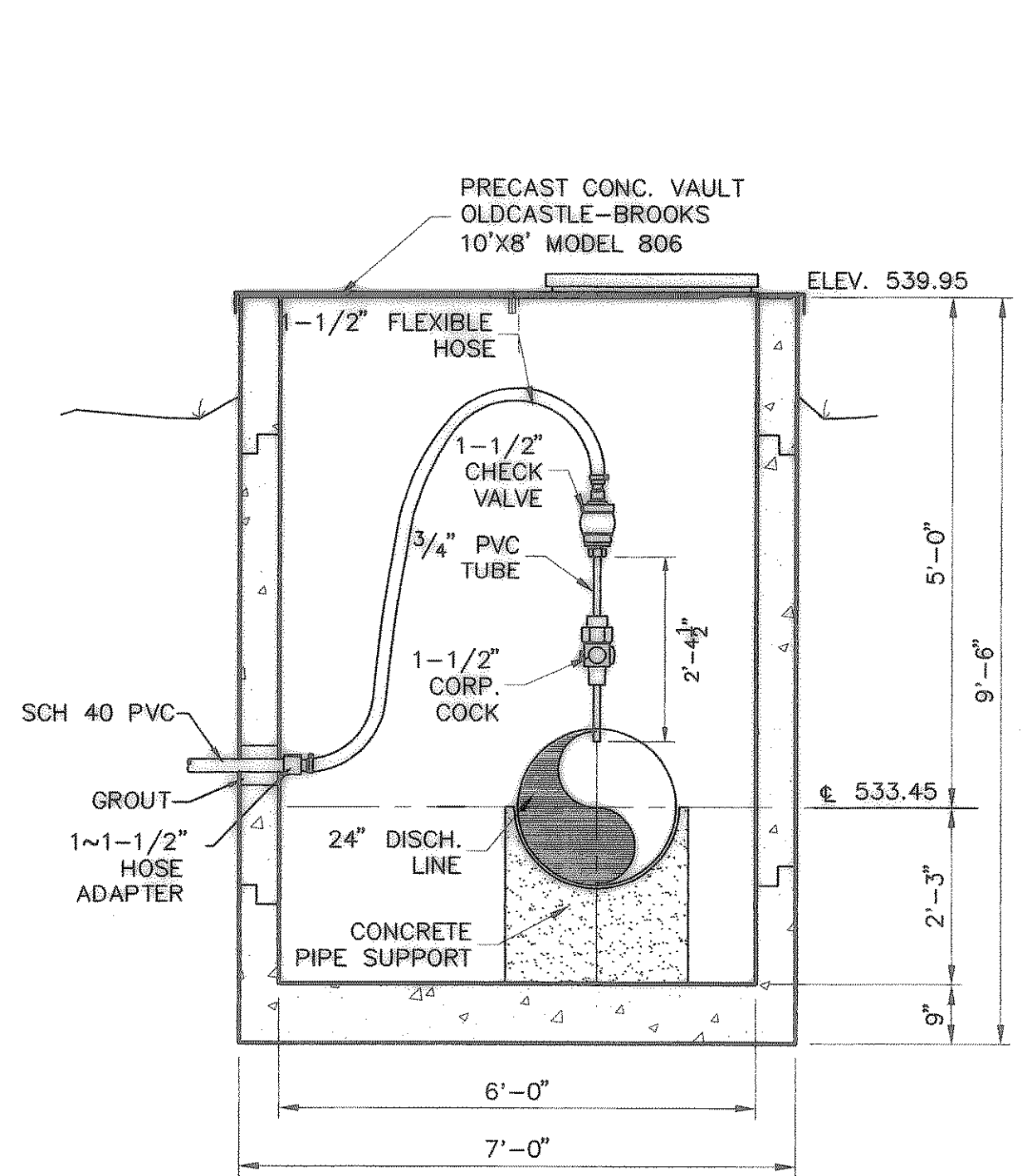
OPENING LABEL	LENGTH	WIDTH	THICK	NOTE
Ⓐ	3'-6"	3'-6"	2"	SEE DETAIL "A"
Ⓑ	3'-0"	3'-0"	2"	SEE DETAIL "A"
Ⓒ	9"	9"	2"	SEE DETAIL "B"
Ⓓ	3'-0"	3'-0"	-	BILCO ALUMINUM DOOR K-4



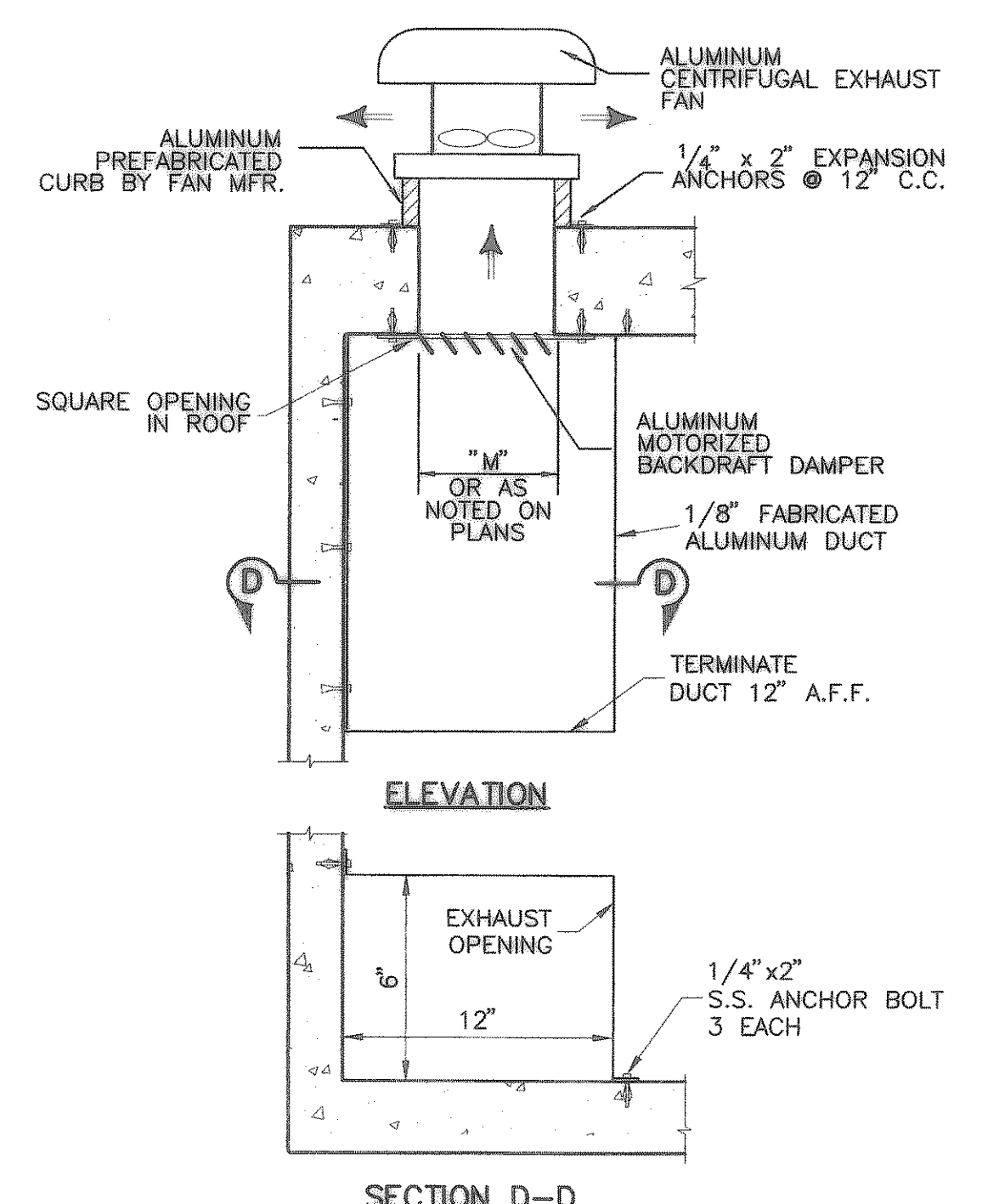
SECTION C-C

- NOTE:
1. ALL ANGLES SHALL BE WELDED TOGETHER AND TO SHALL BE CONTINUOUSLY WELDED, 100% PENETRATION
 2. HATCH COVER SHALL HAVE 1" CROWN
 3. METER VAULT COVER AND ACCESSORIES SHALL BE HOT DIPPED GALVANIZED AFTER FABRICATION 1/4" PLATE WITH 2-12 3/16" WELDS. INTERSECTIONS

④ DETAIL "A" - HATCH COVER
SCALE: 1/2" = 1'-0"



⑤ CHEMICAL INJECTION DETAIL
SCALE: 1/4" = 1'-0"



⑥ DETAIL "B" EXHAUST FAN
NO SCALE

RECORD DRAWING
(ALL REVISIONS ARE BASED UPON CITY AND CONTRACTOR NOTES AND COMMENTS)

No.	DATE	REVISION
1	10/31/03	ADDENDUM 1

FREEMAN-MILLICAN, Inc.
ENGINEERS - ARCHITECTS - PLANNERS
9500 FOREST LN, DALLAS, TX 75243-0095

CITY OF HEATH
PUMP STATION NO. 1
MECHANICAL DETAILS

STATE OF TEXAS
DAMIR LULO
80370
LICENSED PROFESSIONAL ENGINEER

THE SEAL APPEARING ON THIS DOCUMENT WAS AUTHORIZED BY DAMIR LULO, P.E. NO. 90370 ON 08/12/2003

SCALE: AS SHOWN
IF SHEET IS IN 11"x17" FORMAT, DRAWINGS ARE AT 1/2 OF NOTED SCALE
PROJECT No.: 02150
DATE: JAN. 2005
DESIGNED: D.L.
DRAWN: AC
CHECKED: D.L.
SHEET M7
TOTAL SHEETS: 35