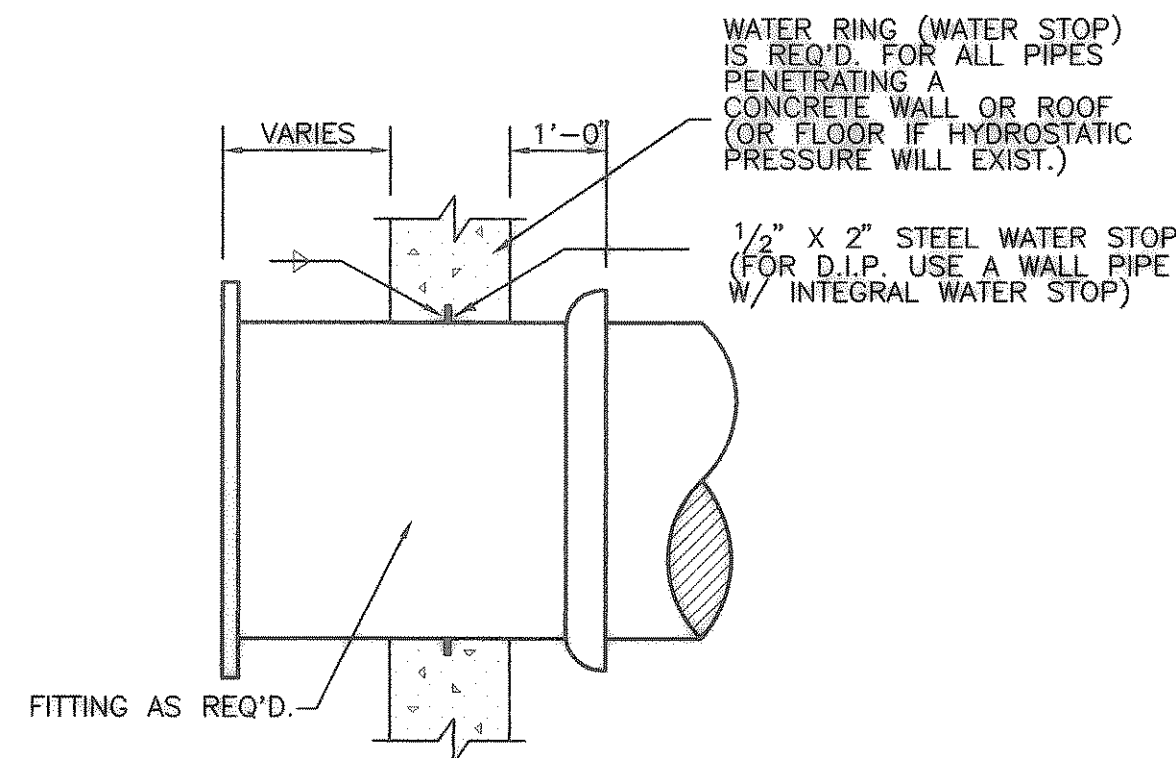


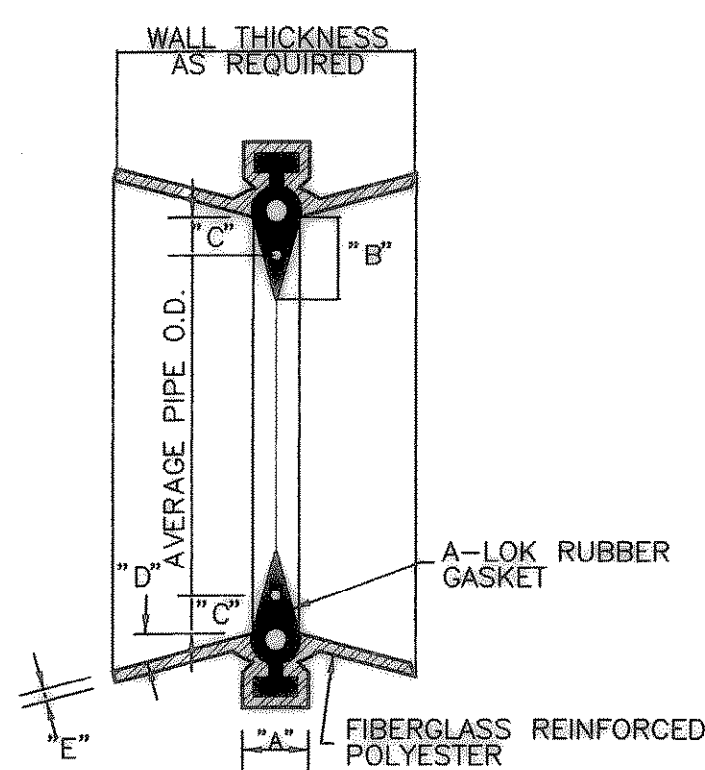
**1 PIPE PENETRATION DETAIL**

(FOR PIPES 2 1/2" I.D. OR SMALLER)  
NO SCALE



**2 PIPE PENETRATION DETAIL**

NO SCALE



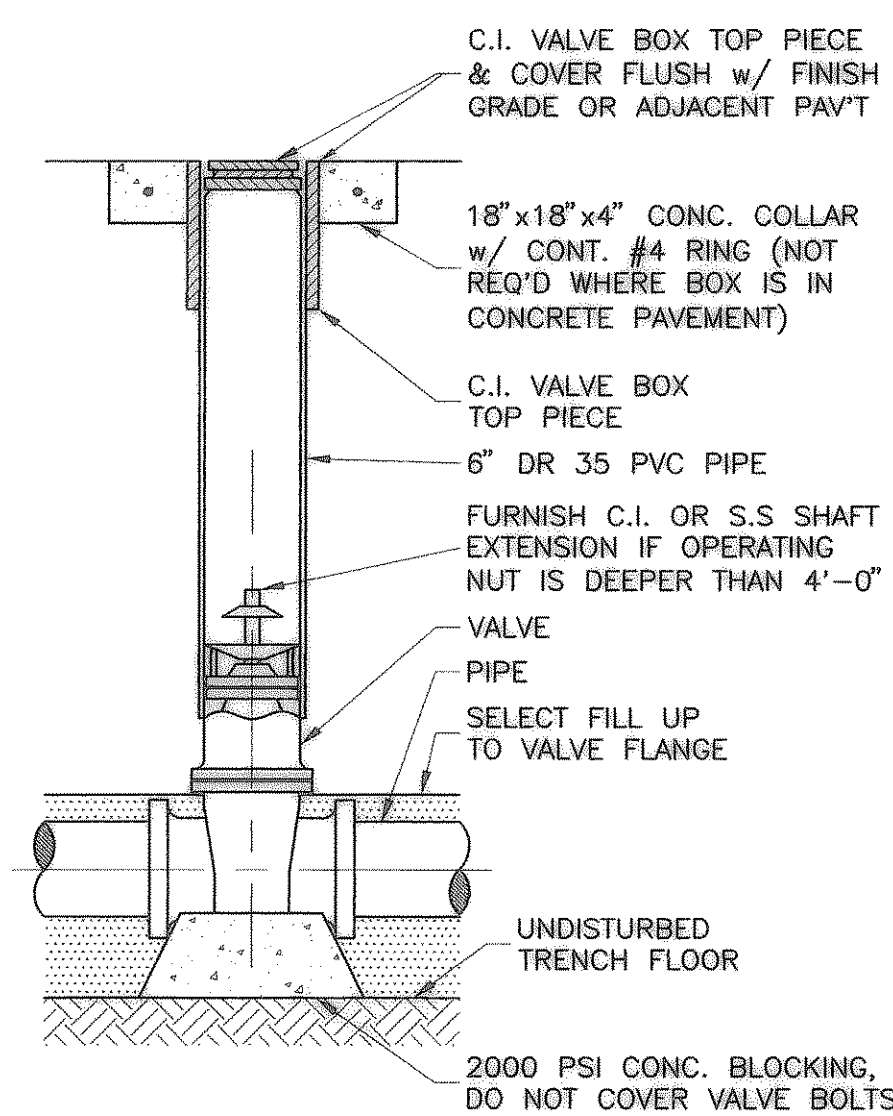
DIMENSIONS FOR MANHOLE PIPE CONNECTOR A.S.T.M. D-923

PIPE SIZE	A	B	C	D	E
8"-24"	2 1/8"	1 3/8"	5/8"	10"	0.10±

(USE IN METER VAULT)

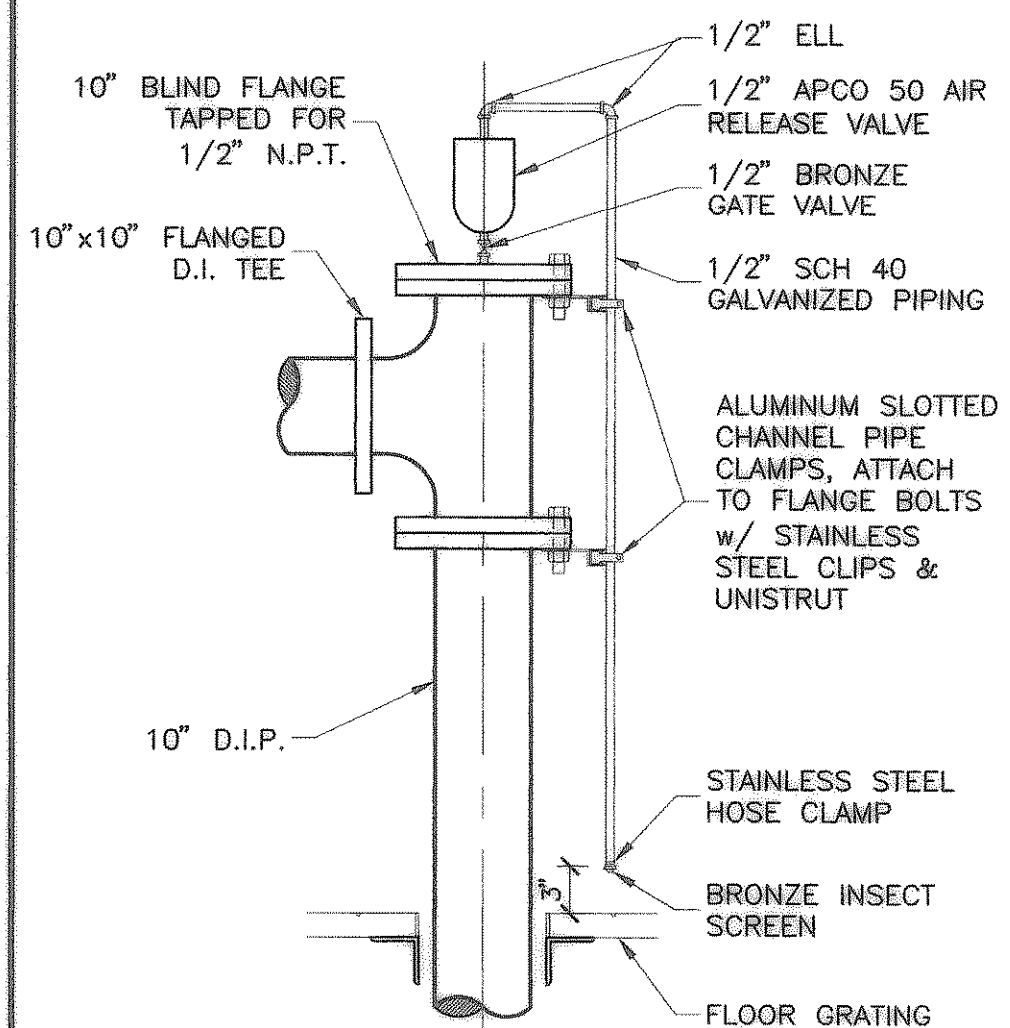
**3 PIPE CONNECTOR**

NO SCALE



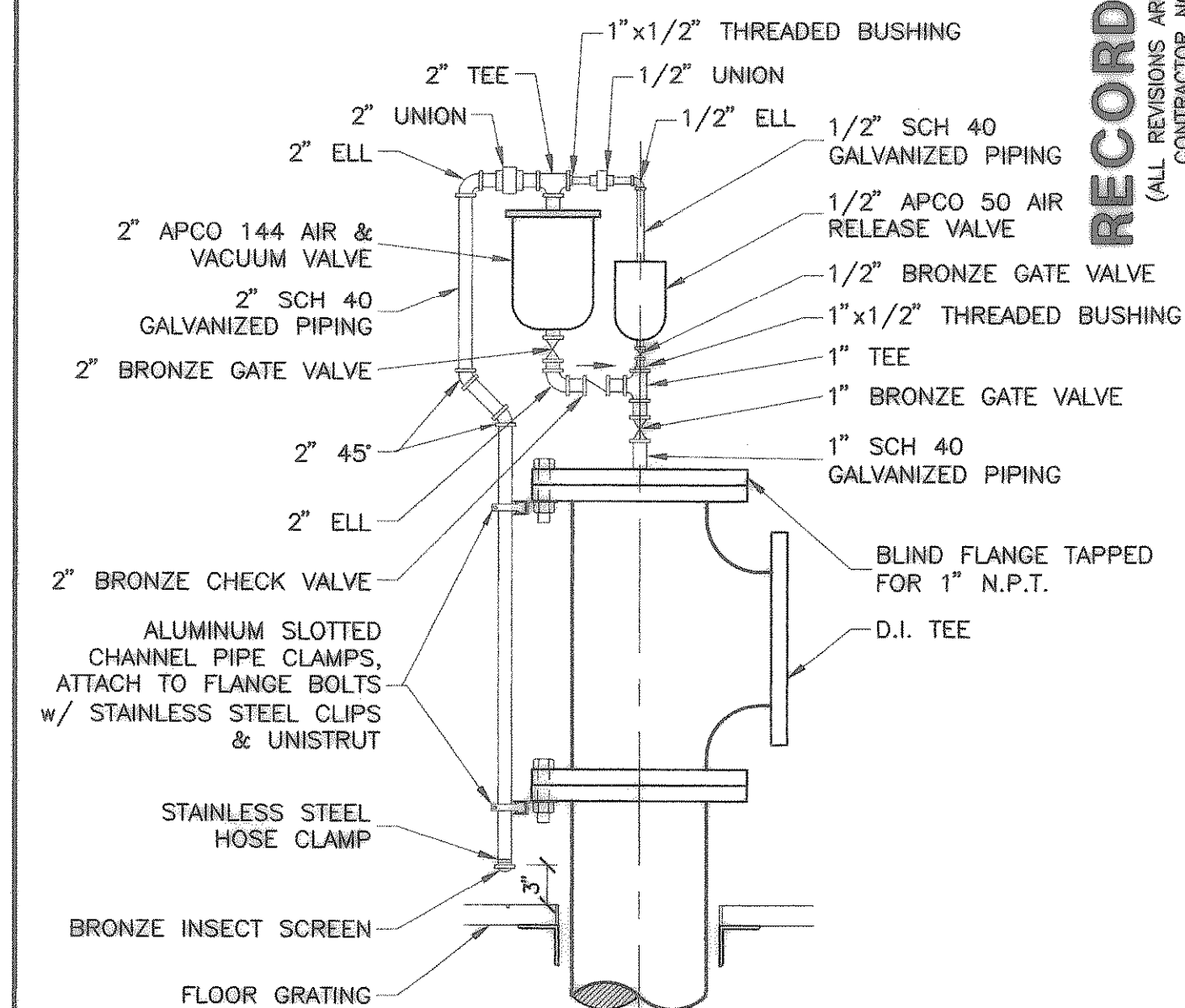
**4 VALVE INSTALLATION DETAIL**

NO SCALE



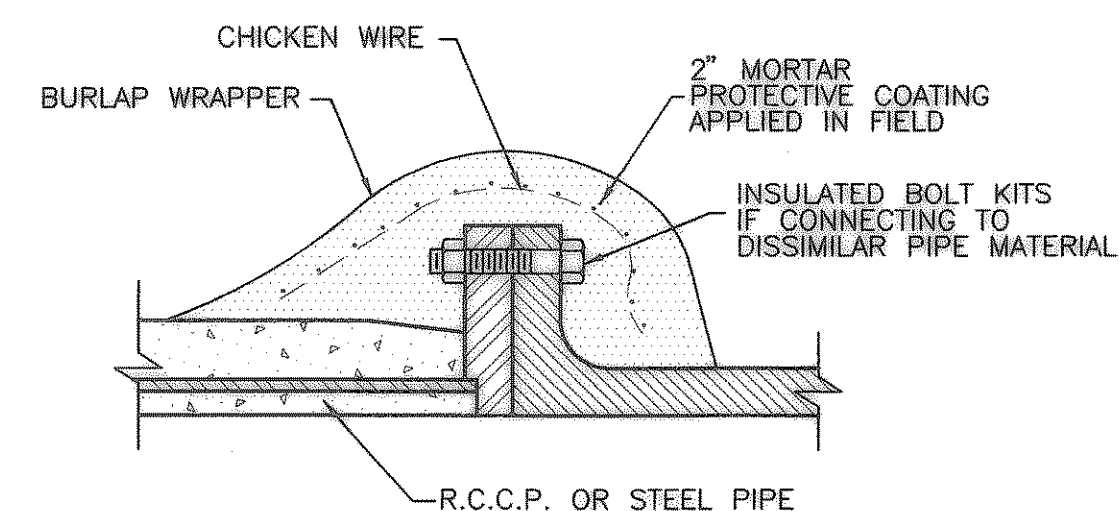
**5 AIR RELEASE ASSEMBLY (SURGE)**

NO SCALE



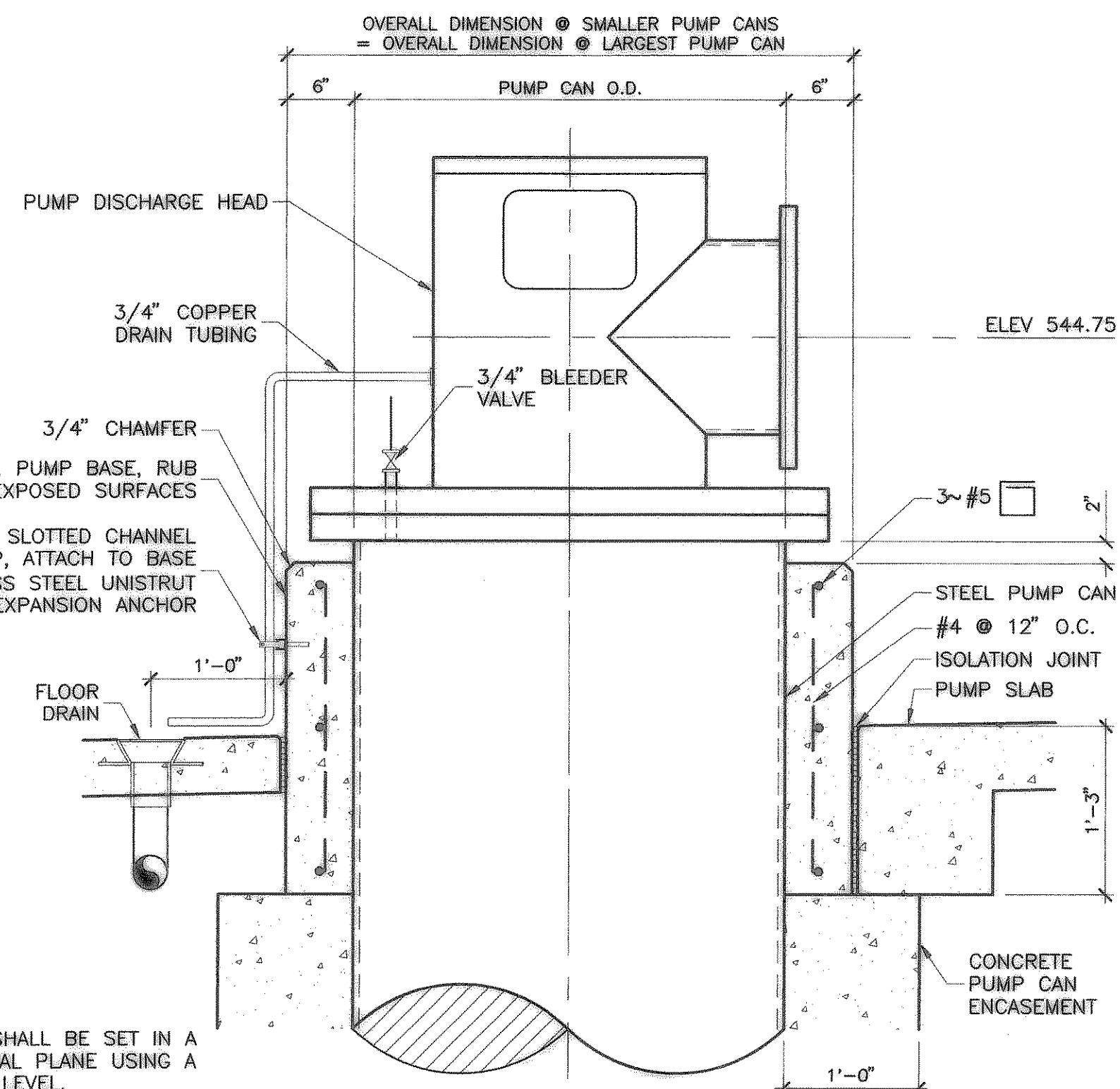
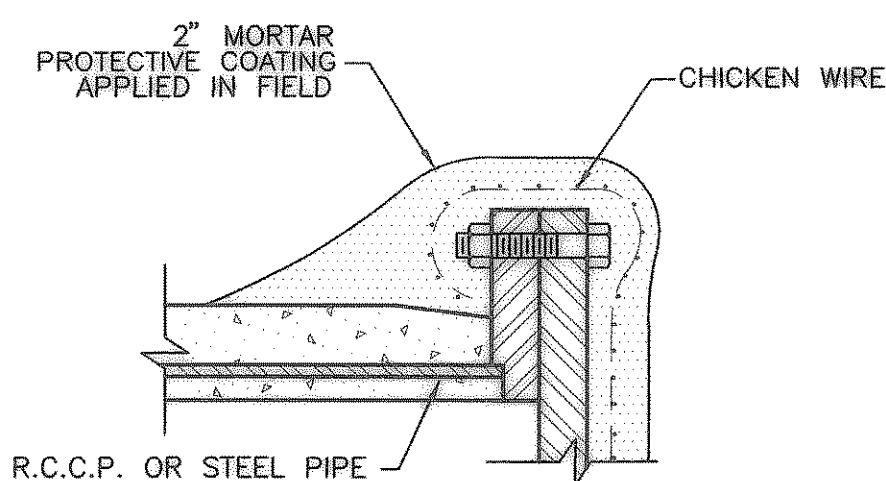
**6 AIR RELEASE ASSEMBLY (SURCHAGE)**

NO SCALE



**7 FLANGE CONNECTIONS**

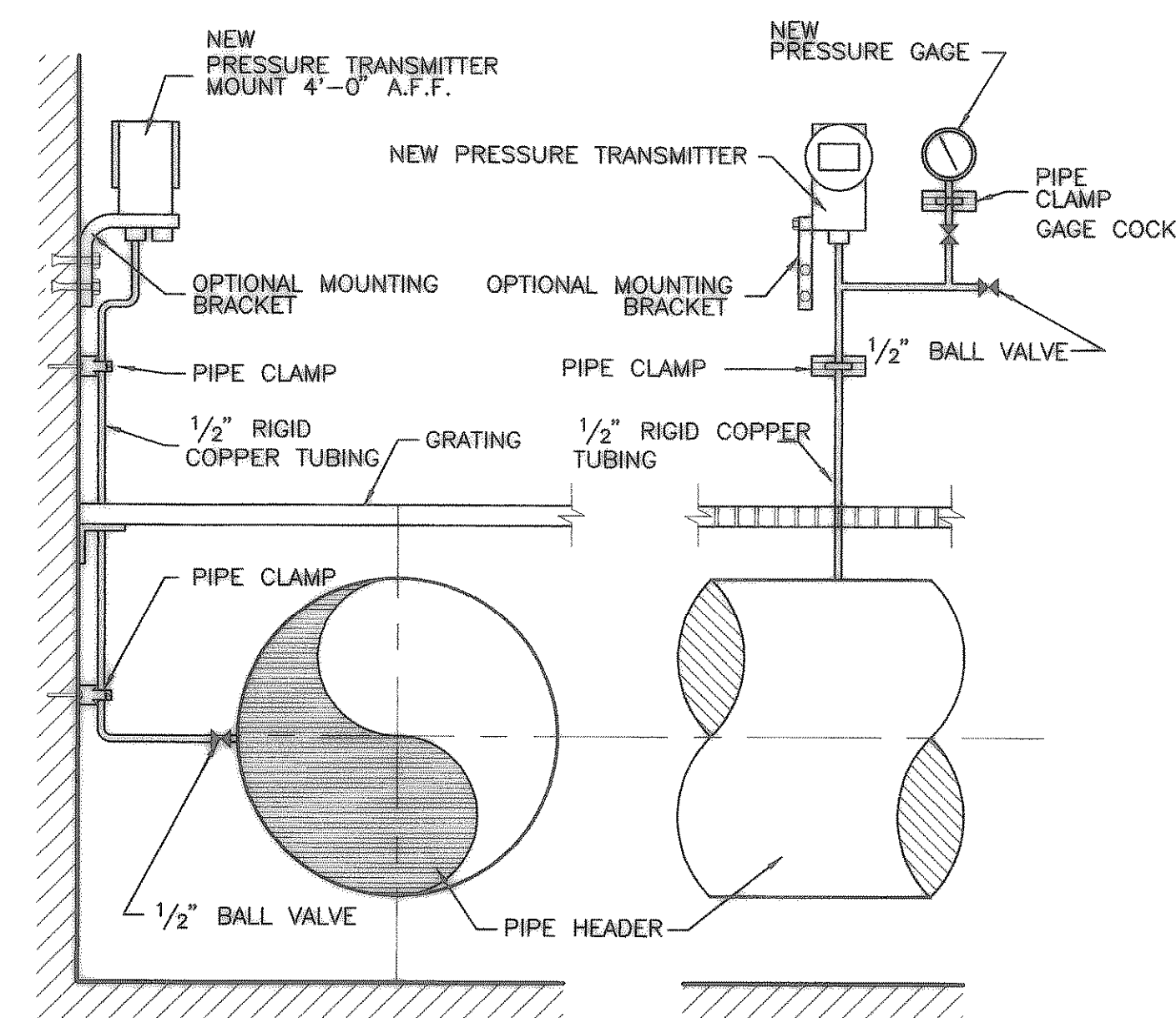
NO SCALE



**8 PUMP DISCHARGE HEAD INSTALLATION DETAIL**

NO SCALE

NOTES:  
PUMP CAN SHALL BE SET IN A TRUE VERTICAL PLANE USING A MACHINIST'S LEVEL.  
COORDINATE LOCATION OF FLOOR DRAIN AND ELECTRICAL CONDUIT SO AS TO ALLOW THE MOST DIRECT ROUTE OF DRAIN TUBE TO FLOOR DRAIN.



**9 PRESSURE TRANSMITTER INSTALLATION DETAIL**

NO SCALE

**RECORD DRAWING**  
(ALL REVISIONS ARE BASED UPON CITY AND CONTRACTOR NOTES AND COMMENTS)

NO.	DATE	REVISION

CITY OF HEATH  
PUMP STATION NO. 1  
MECHANICAL DETAILS

STATE OF TEXAS  
DAMIR LULO  
90370  
LICENSED PROFESSIONAL ENGINEER

THE SEAL APPEARING ON THIS DOCUMENT WAS AUTHORIZED BY DAMIR LULO, P.E. NO. 90370 ON 04/19/2005

SCALE: AS SHOWN

IF SHEET IS IN 11"x17" FORMAT, DRAWINGS ARE AT 1/2 OF NOTED SCALE.

PROJECT No.: 02150  
DATE: JAN. 2005  
DESIGNED: FMI  
DRAWN: FMI  
CHECKED: J.T.M.

SHEET  
**M5**  
TOTAL SHEETS: 35

Freeman-Mulligan, Inc.  
ENGINEERS - ARCHITECTS - PLANNERS  
9600 FOREST LN., DALLAS, TX 75243-3003-0555

F:\02150 - Heath Rockwell Pump Station\1 - CAD\AS-BUILT\02150 - M5 - 12 - Mechanical\Detail\1.dwg Wed Jan 26 05:10:54 2005