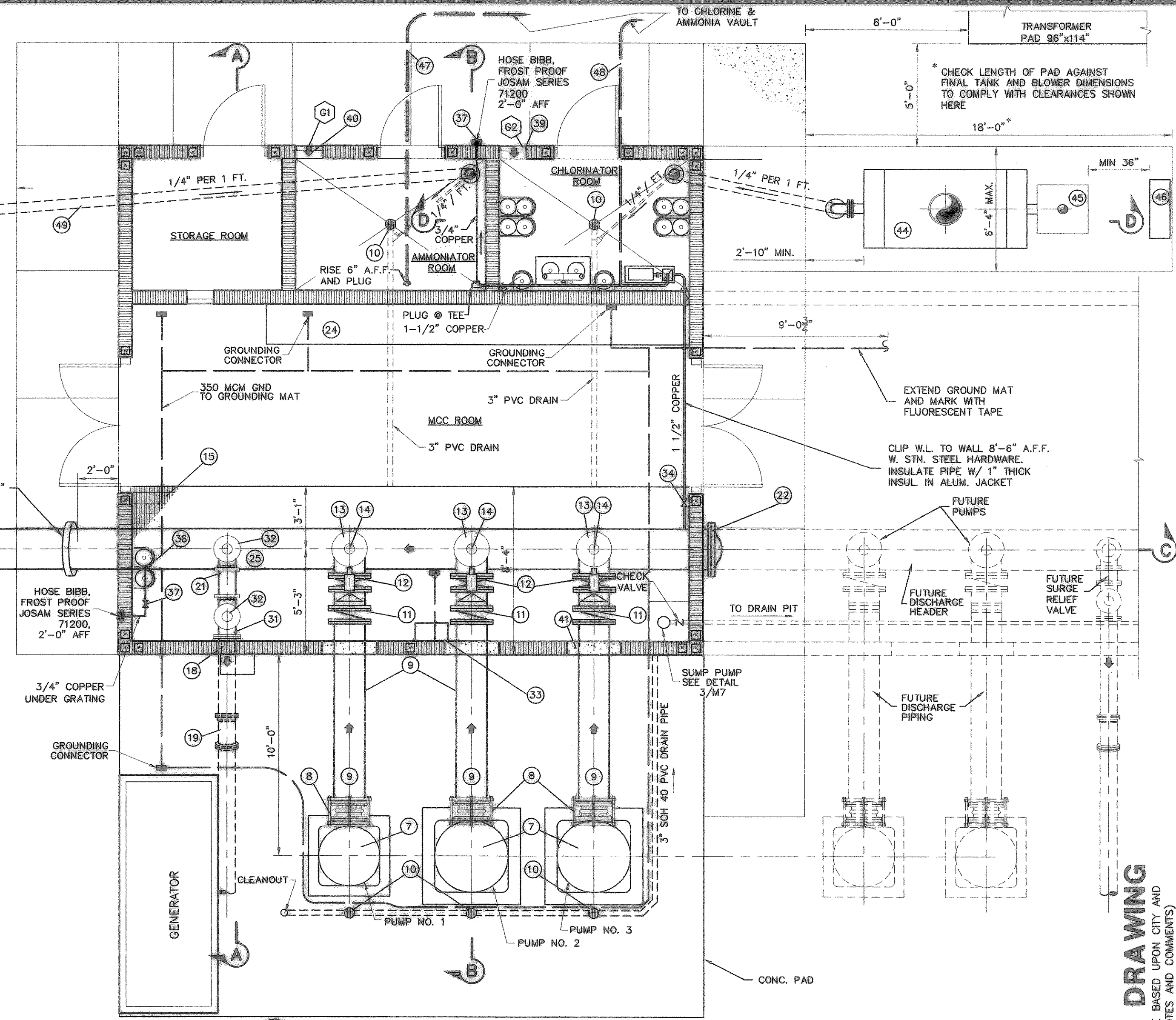
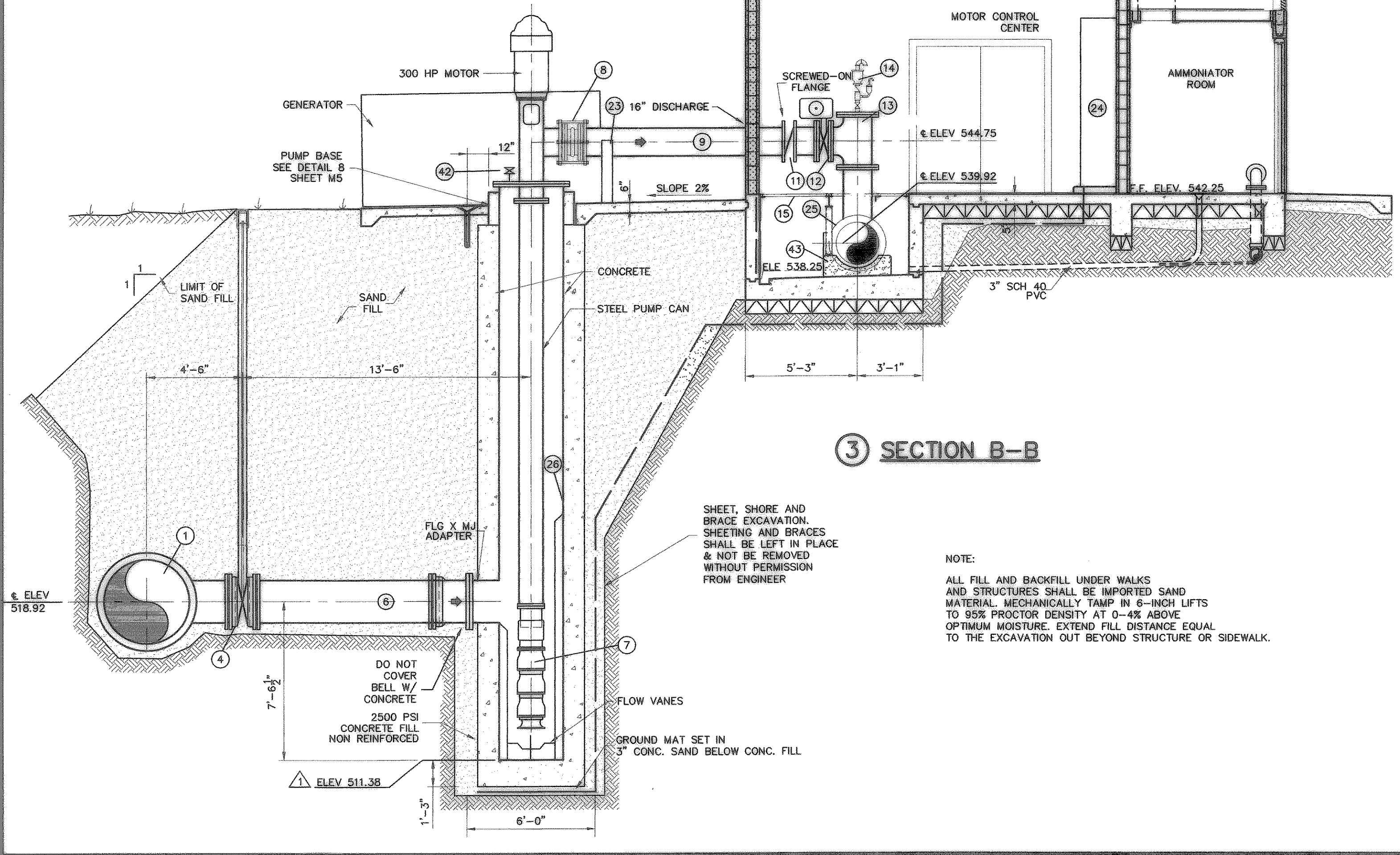


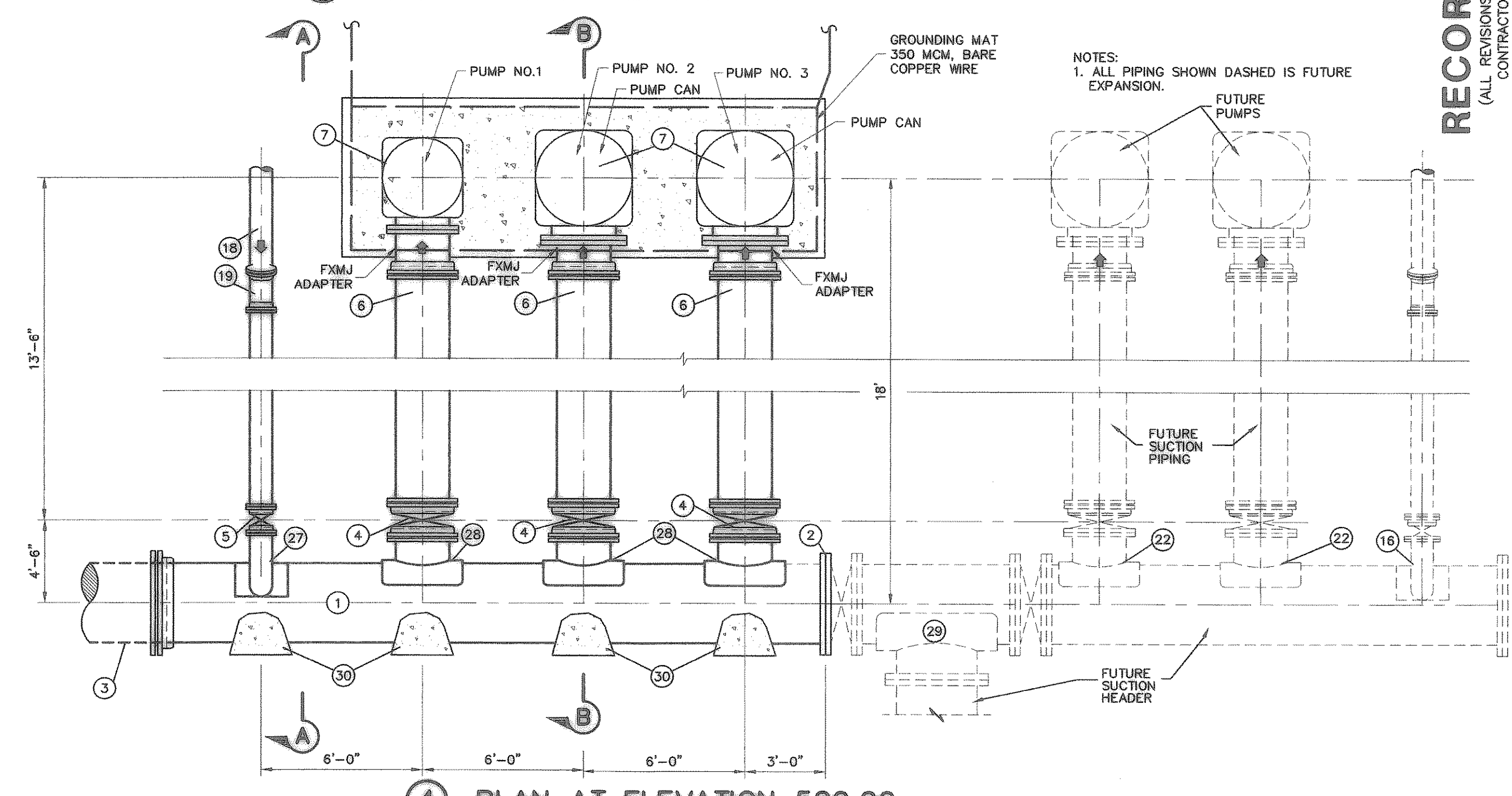
1 SECTION A-A



2 PLAN AT ELEVATION 543.00



3 SECTION B-B



4 PLAN AT ELEVATION 520.00

NOTE:
ALL FILL AND BACKFILL UNDER WALKS AND STRUCTURES SHALL BE IMPORTED SAND MATERIAL. MECHANICALLY TAMP IN 6-INCH LIFTS TO 95% PROCTOR DENSITY AT 0-4% ABOVE OPTIMUM MOISTURE. EXTEND FILL DISTANCE EQUAL TO THE EXCAVATION OUT BEYOND STRUCTURE OR SIDEWALK.

SHEET, SHORE AND BRACE EXCAVATION. SHEETING AND BRACES SHALL BE LEFT IN PLACE & NOT BE REMOVED WITHOUT PERMISSION FROM ENGINEER

DO NOT COVER BELL W/ CONCRETE
2500 PSI CONCRETE FILL NON REINFORCED
ELEV 511.38

RECORD DRAWING
(ALL REVISIONS ARE BASED UPON CITY AND CONTRACTOR NOTES AND COMMENTS)

BY	REVISION
DATE	CORRECTED ELEVATION
NO.	110/30/03

CITY OF HEATH
PUMP STATION NO. 1

PUMP STATION PLAN & SECTIONS

STATE OF TEXAS
DAMIR LULO
90370
LICENSED PROFESSIONAL ENGINEER

IF SHEET IS IN 11"x17" FORMAT, DRAWINGS ARE AT 1/2" OF NOTED SCALE.

SCALE: 1/4" = 1'-0"

PROJECT No.:	02150
DATE:	JAN. 2005
DESIGNED:	D.L.
DRAWN:	FMI
CHECKED:	J.T.M.
SHEET	M3
TOTAL SHEETS:	35

FREEMAN-MILLICAN, INC.
ENGINEERS - ARCHITECTS - PLANNERS
9500 FOREST LN., DALLAS, TX 75243-0695