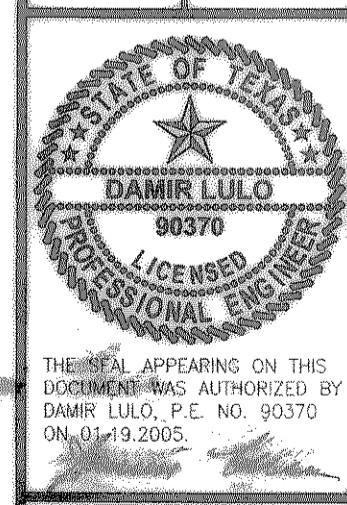


RECORD DRAWING
 (ALL REVISIONS ARE BASED UPON CITY AND CONTRACTOR NOTES AND COMMENTS)

BY	
REVISION	
DATE	
NO.	

FREEMAN-MILLICAN, INC.
 ENGINEERS - ARCHITECTS - PLANNERS
 9500 FOREST LN., DALLAS, TX 75243-0955

CITY OF HEATH
 PUMP STATION NO. 1
**HVAC SECTION
 AND DETAILS**

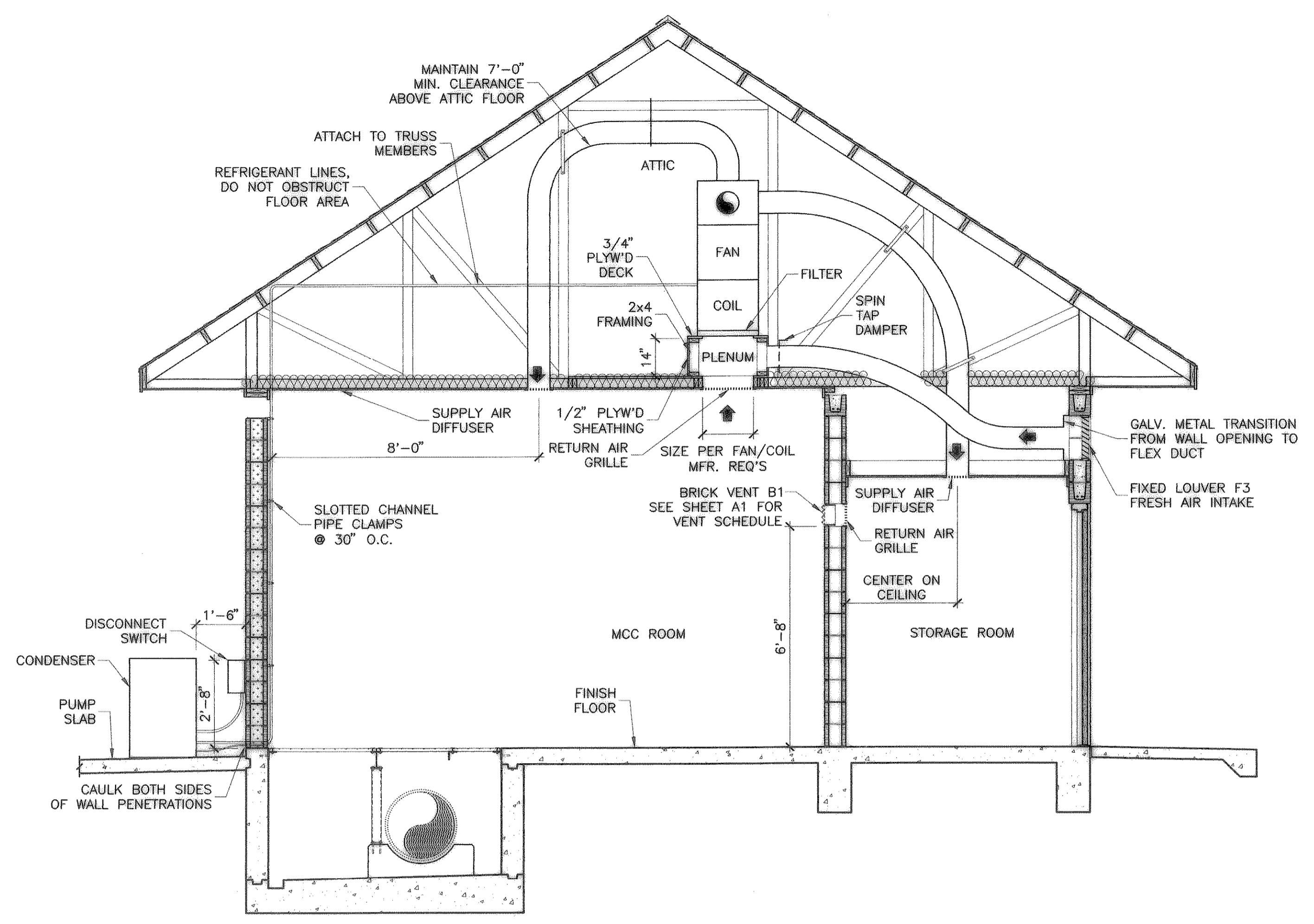


SCALE: AS SHOWN

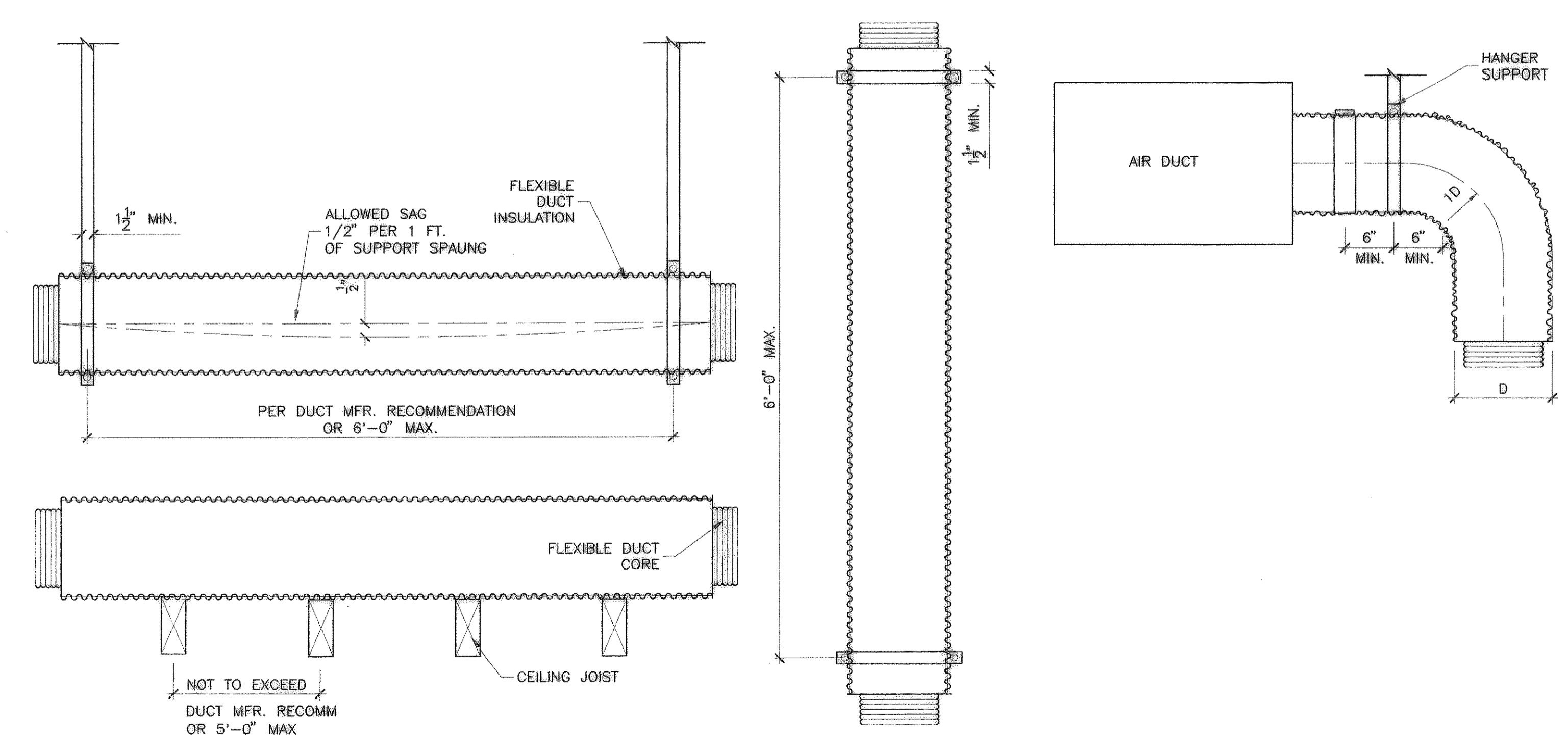
IF SHEET IS IN 11"X17" FORMAT, DRAWINGS ARE AT 1/2" OF NOTED SCALE.

PROJECT No.: 02150
 DATE: JAN. 2005
 DESIGNED: D.L.
 DRAWN: FMI
 CHECKED: J.T.M.

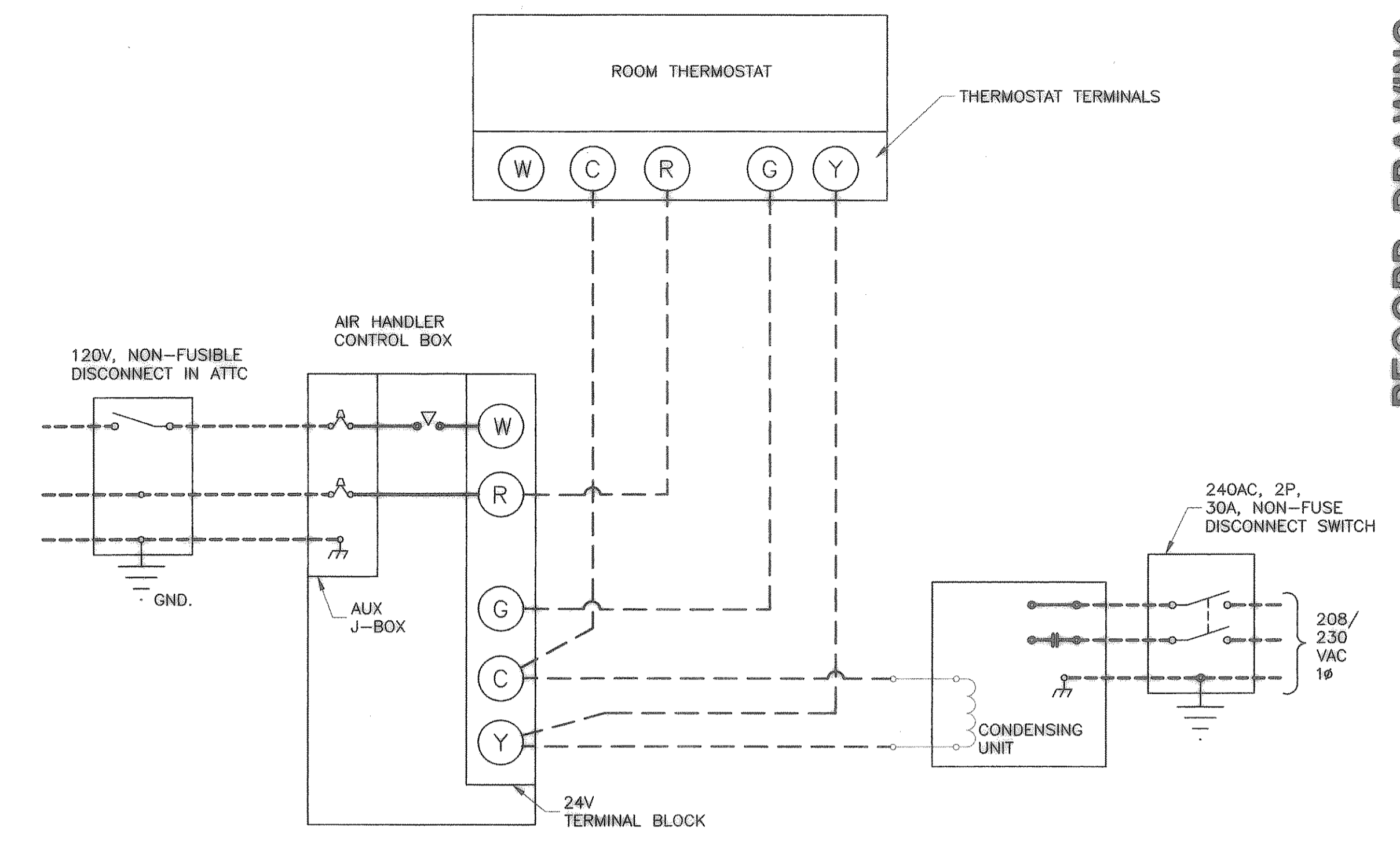
SHEET
H2
 TOTAL SHEETS: 35



1 HVAC SECTION A-A
 3/8" - 1'-0"



2 INSTALLATION METHODS FOR FLEXIBLE DUCTS
 1" - 1'-0"



LEGEND

----- FIELD INSTALLED 120V AC/240V AC POWER WIRING.

----- FIELD INSTALLED 24V DC CONTROL WIRING.

----- FACTORY INSTALLED 120V AC/240V AC POWER WIRING.

----- FIELD INSTALLED 24V DC POWER WIRING.

3 TYPICAL A/C WIRING DETAIL
 NO SCALE

F:\02150 - Heath Rockwell Pump Station\1 - CAD\AS-BUILD\02150 - H2 - 32 - HVAC Section.dwg Mod Jan 26 09:40:00 2005