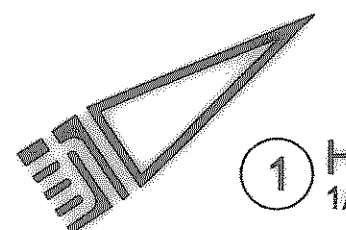
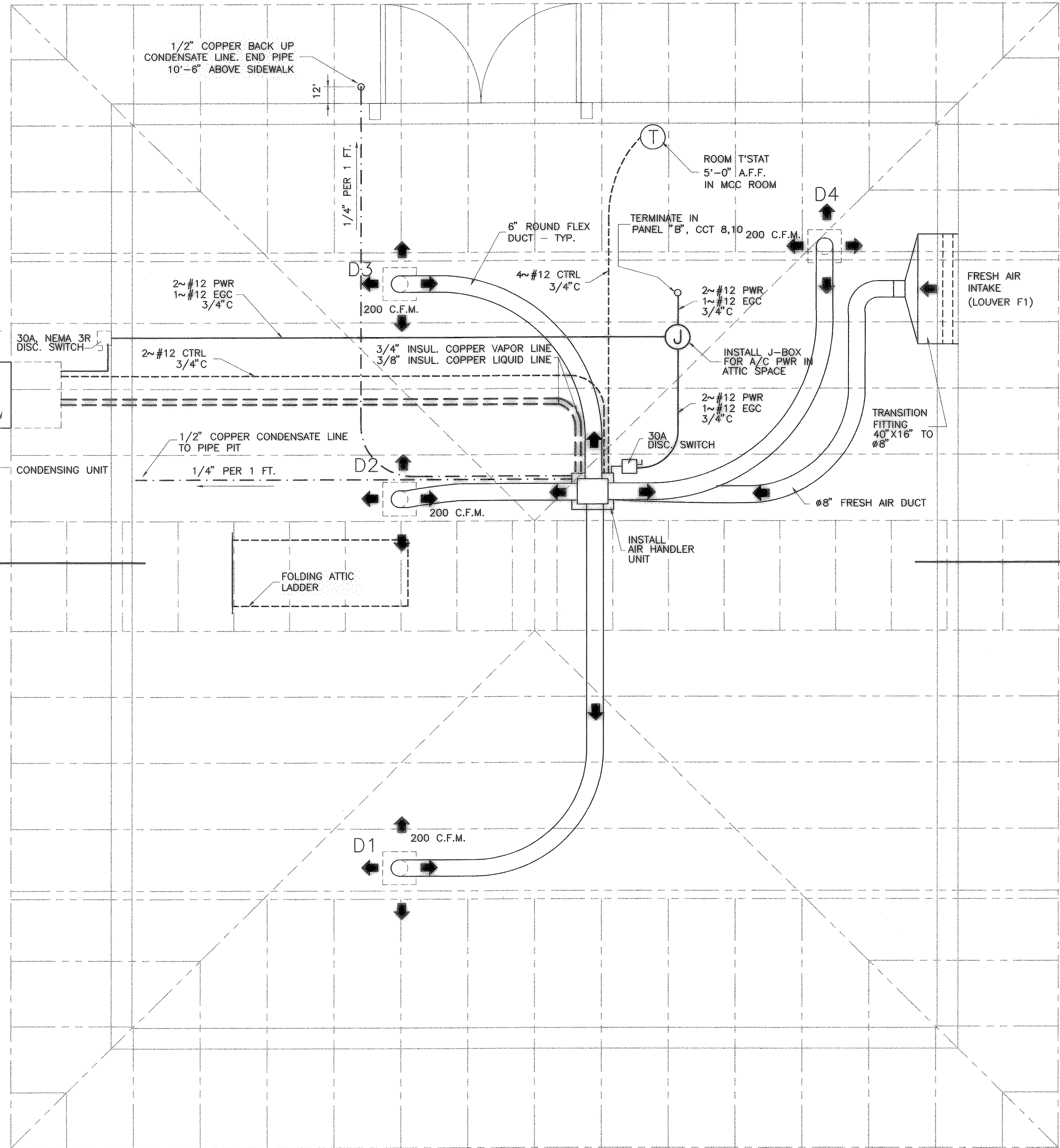


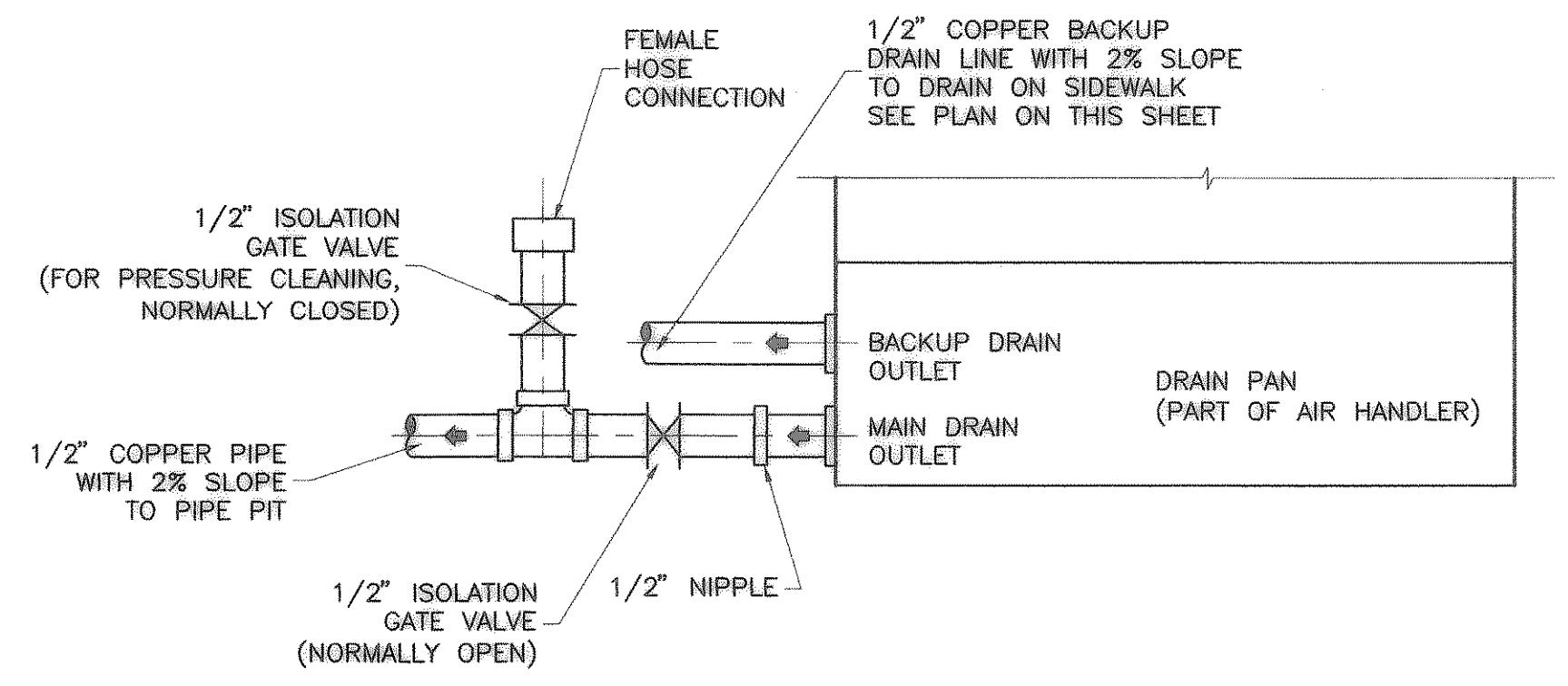
F:\02150 - Heath Rockwell Pump Station\1 - CAD\AS-BUILT\02150 - H1 - 4B - HVAC Plan.dwg Wed Jan 26 09:37:57 2005



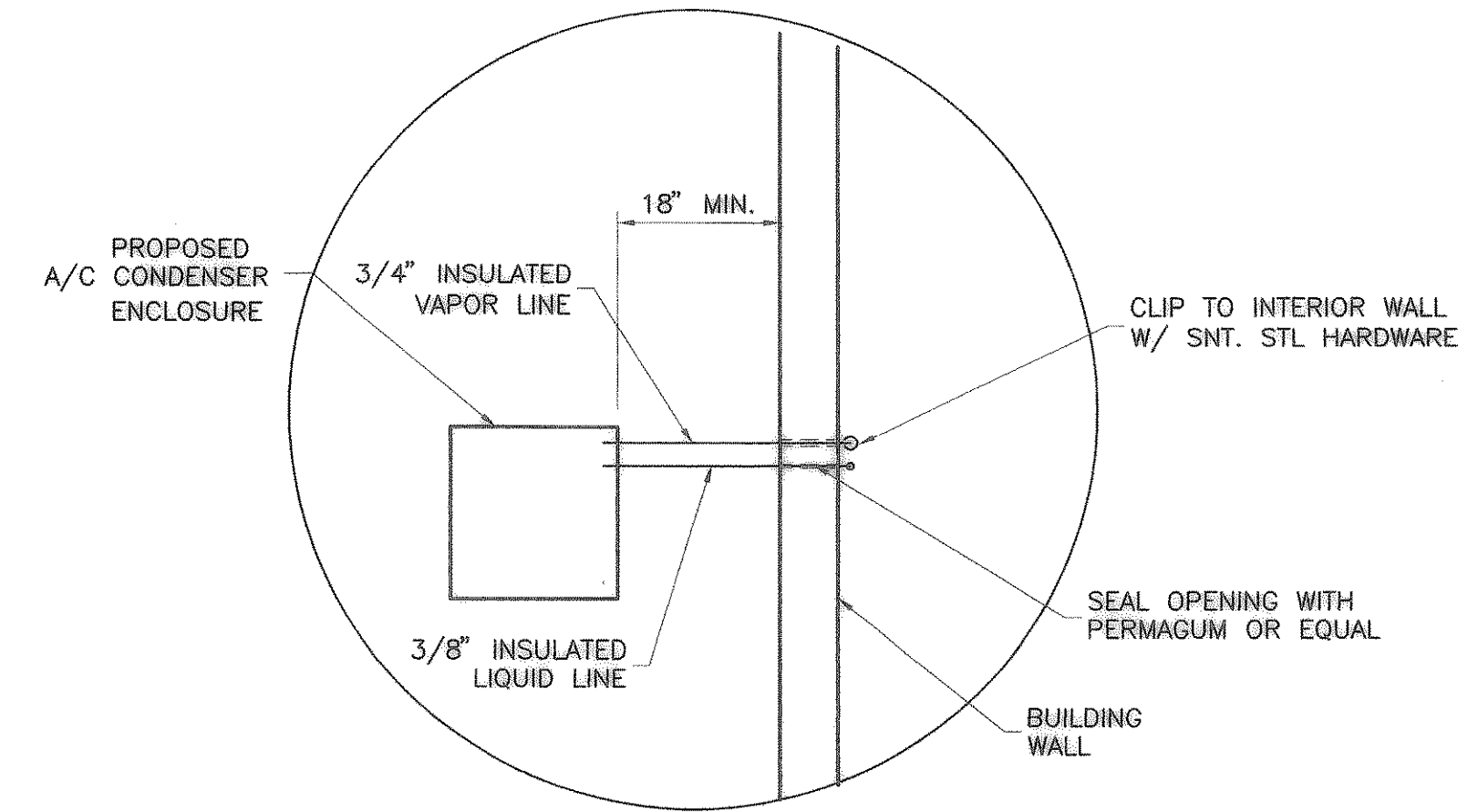
1 HVAC ATTIC PLAN
1/2"=1'-0"

LEGEND

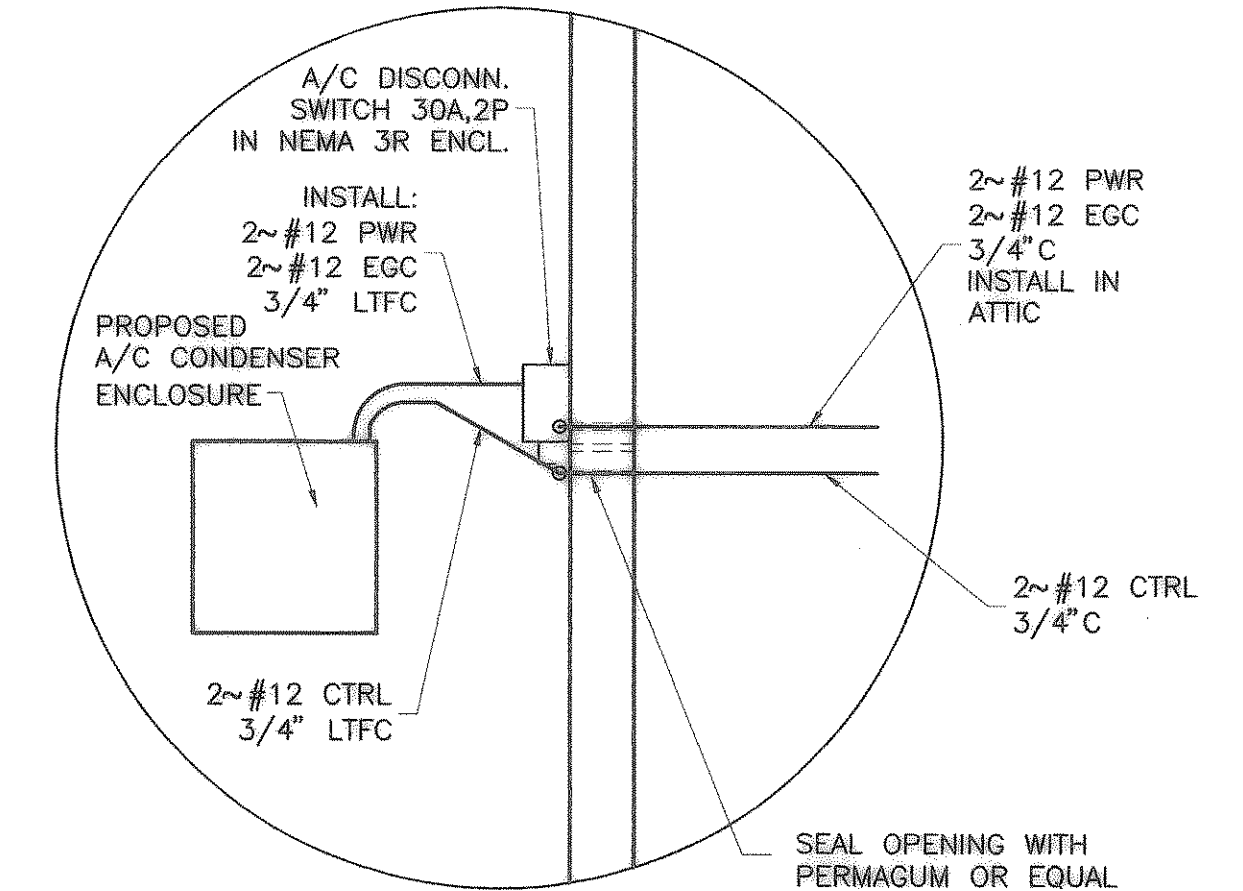
- POWER CONDUIT AND WIRE
- CONTROL CONDUIT AND WIRE
- REFRIGERATION PIPES
- CONDENSATE PIPE
- ROOF TRUSSES



DRAIN PAN DETAIL
N.T.S.



REFRIGERATION PIPING CONNECTION DETAIL

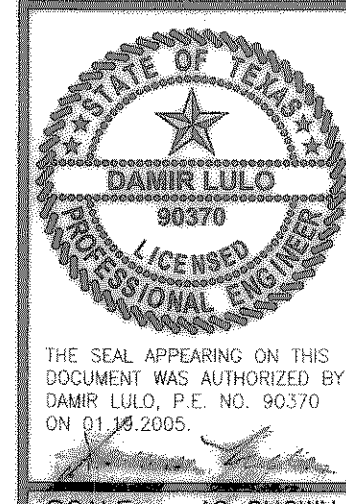


ELECTRICAL CONNECTION DETAIL

RECORD DRAWING
(ALL REVISIONS ARE BASED UPON CITY AND CONTRACTOR NOTES AND COMMENTS)

NO.	DATE	REVISION	BY

CITY OF HEATH
PUMP STATION NO. 1
HVAC PLAN
AND DETAILS



THE SEAL APPEARING ON THIS DOCUMENT WAS AUTHORIZED BY DAMIIR LULO, P.E. NO. 90370 ON 01/26/2005.

SCALE: AS SHOWN

IF SHEET IS IN 11"x17" FORMAT, DRAWINGS ARE AT 1/2 OF NOTED SCALE.

PROJECT No.: 02150
DATE: JAN. 2005
DESIGNED: D.L.
DRAWN: FMI
CHECKED: J.T.M.

SHEET
H1
TOTAL SHEETS: 35

Freeman-Millican, Inc.
ENGINEERS - ARCHITECTS - PLANNERS
9500 FOREST LN. DALLAS, TX 75243-5035