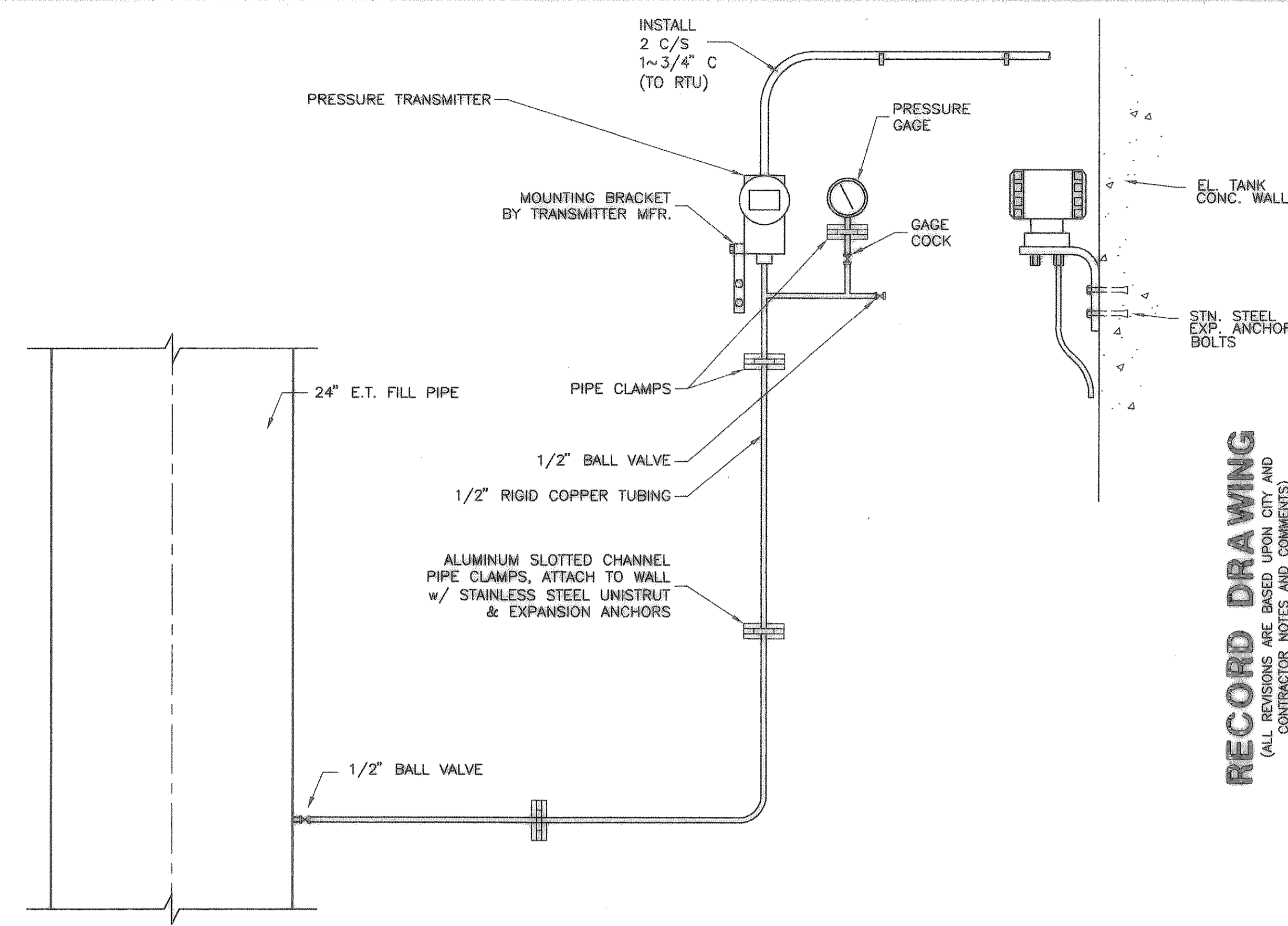
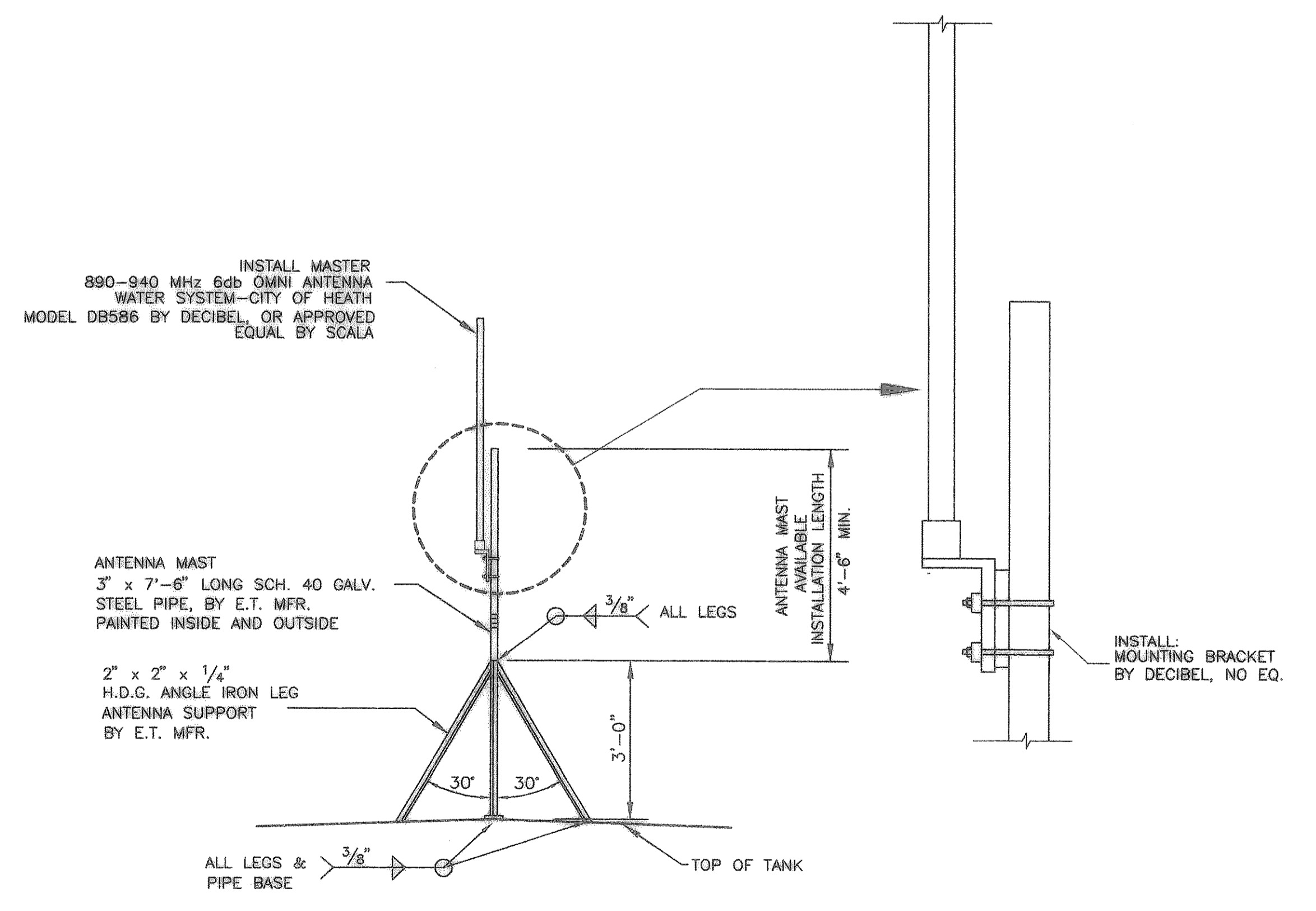


② E.T. RTU WIRING  
NO SCALE

NOTE FOR PANEL BUILDER:  
LEVEL RELAYS AND RTU COMPONENTS SHALL BE INSTALLED IN ONE ENCLOSURE. ENERGIZE LEVEL RELAYS AND RTU FROM TWO SEPARATE PANEL CIRCUITS.



③ E.T. PRESSURE TRANSMITTER INSTALLATION DETAIL  
1/2"=1'-0"



④ EL. TANK BACKUP ANTENNA INSTALLATION DETAIL  
1/2"=1'-0"

RECORD DRAWING  
(ALL REVISIONS ARE BASED UPON CITY AND CONTRACTOR NOTES AND COMMENTS)

BY	
REVISION	
NO.	DATE

CITY OF HEATH  
PUMP STATION NO. 1  
NEW ELEVATOR TANK RTU  
INSTALLATION DETAILS

Freeman-Millican, Inc.  
ENGINEERS - ARCHITECTS - PLANNERS  
9800 FOREST LN, DALLAS, TX 75243-0555

STATE OF TEXAS  
DAMIR LULO  
90370  
LICENSED PROFESSIONAL ENGINEER

THE SEAL APPEARING ON THIS DOCUMENT WAS AUTHORIZED BY DAMIR LULO, P.E. NO. 90370 ON 01-19-2005.

SCALE: AS SHOWN

IF SHEET IS IN 11"x17" FORMAT, DRAWINGS ARE AT 1/2 OF NOTED SCALE.

PROJECT No.: 02150  
DATE: JAN. 2005  
DESIGNED: D.L.  
DRAWN: FMI  
CHECKED: J.T.M.

SHEET  
E9  
TOTAL SHEETS: 35