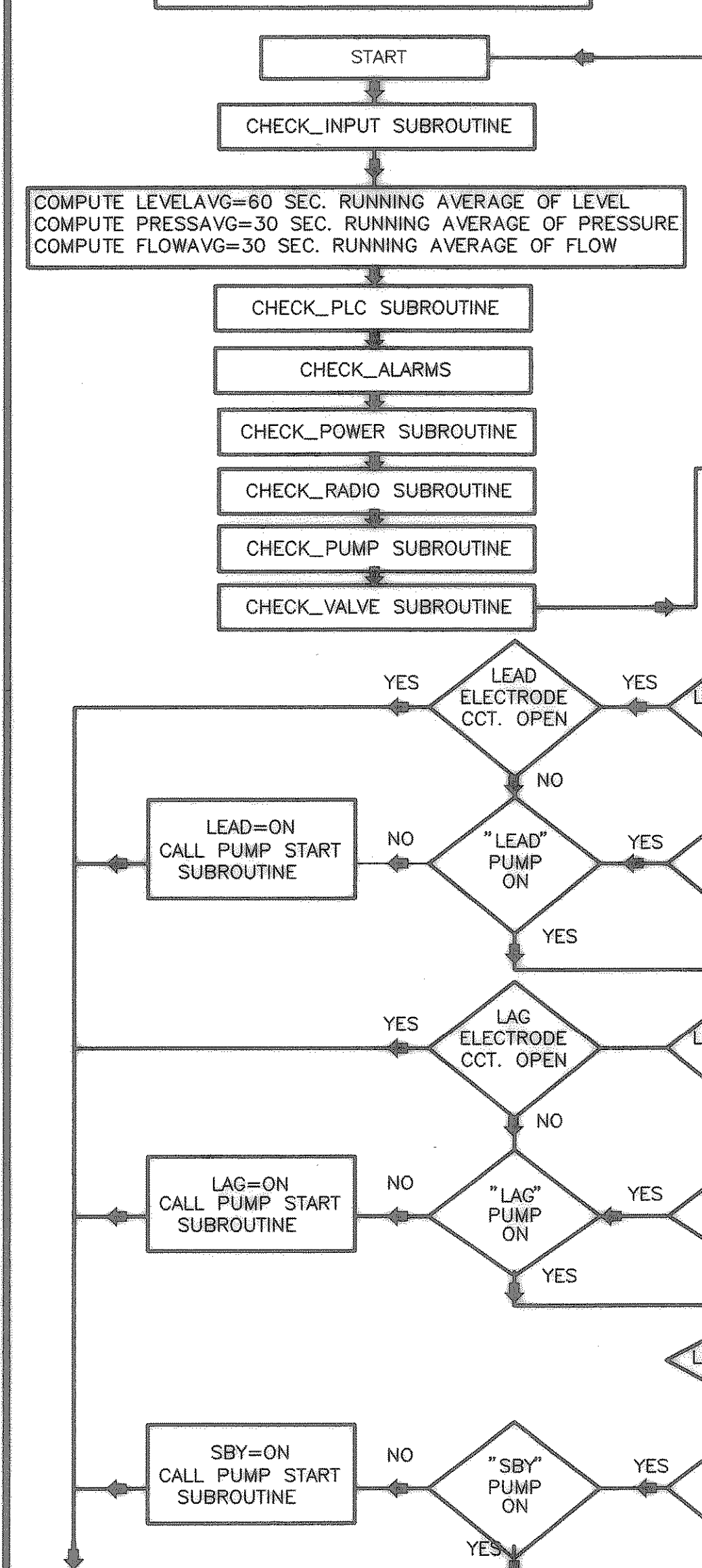
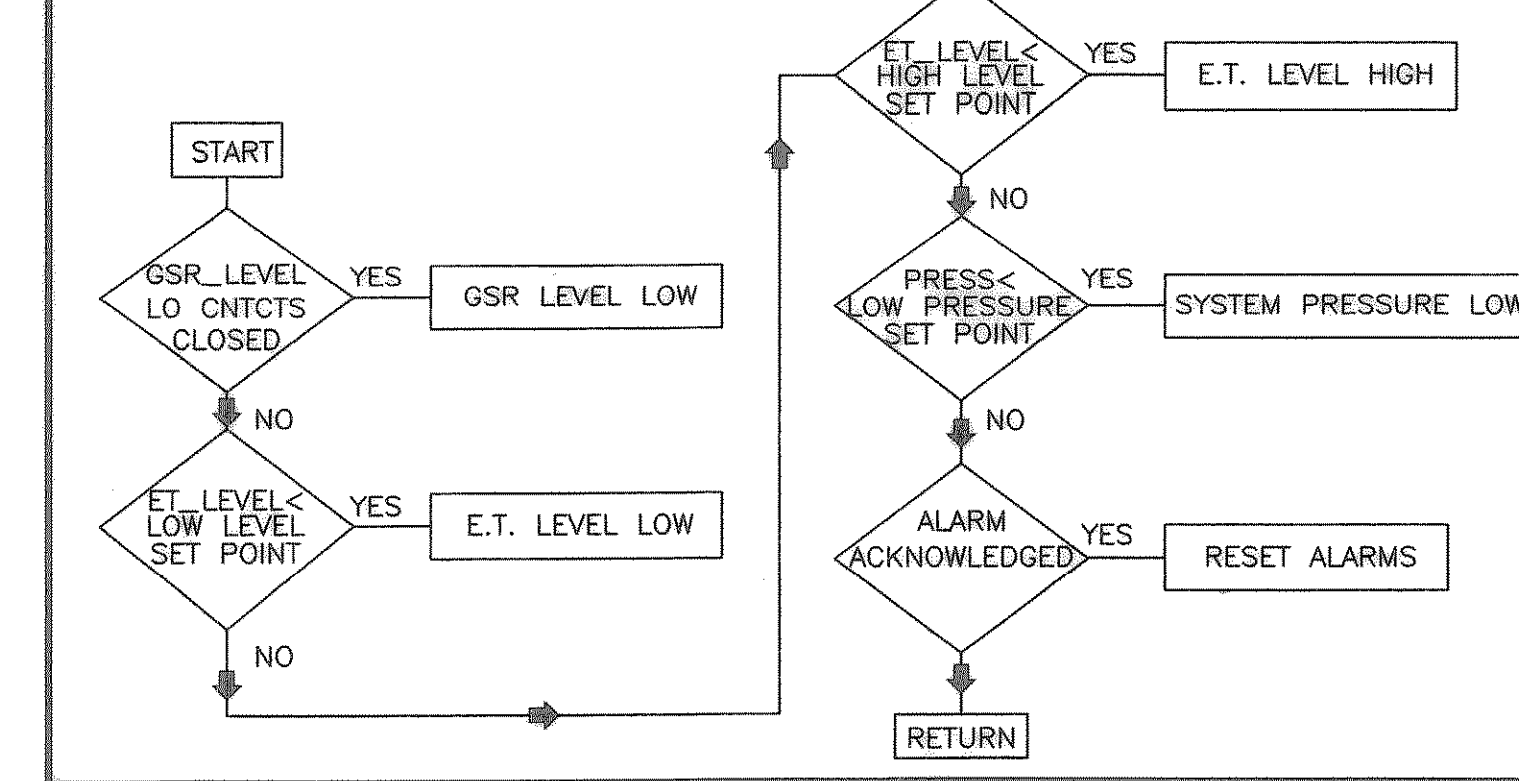


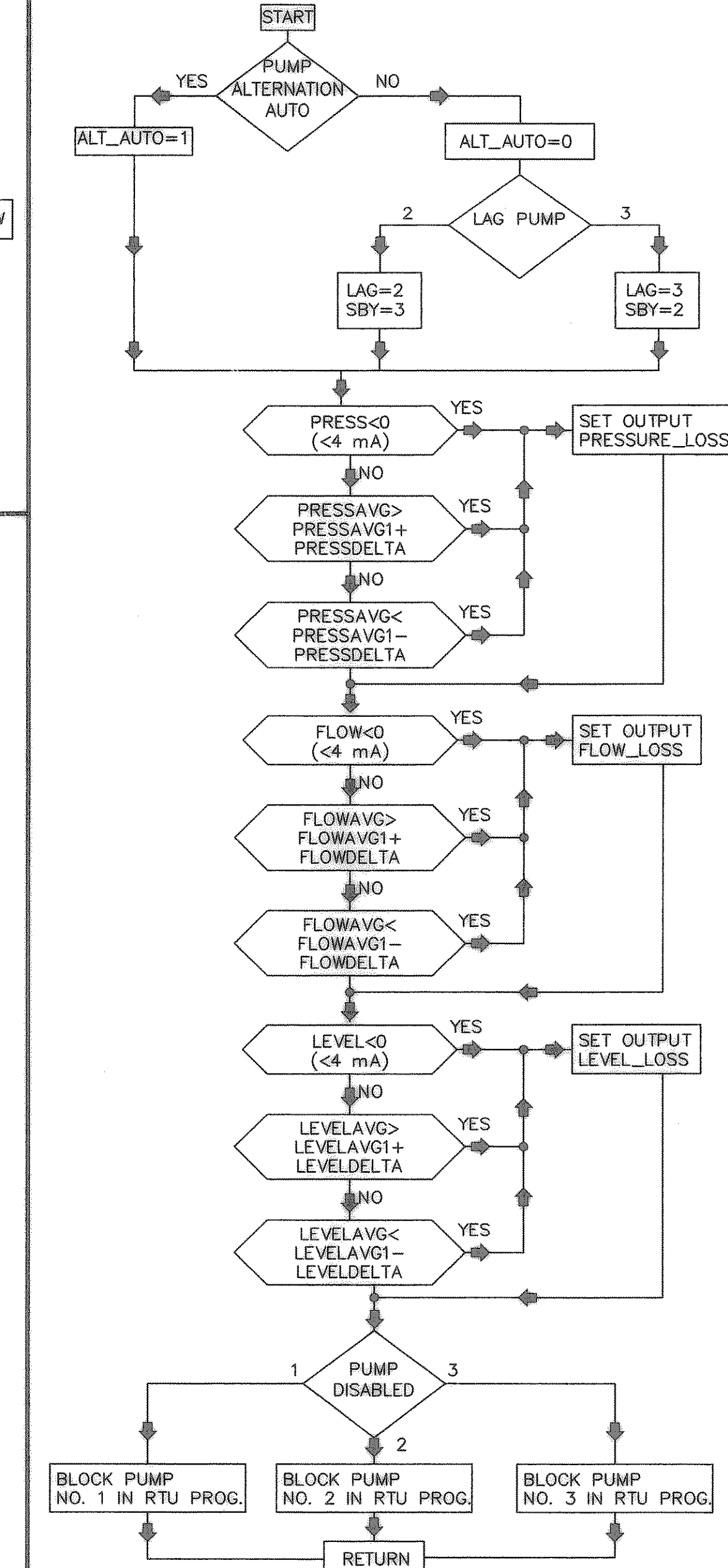
MAIN RTU PROGRAM



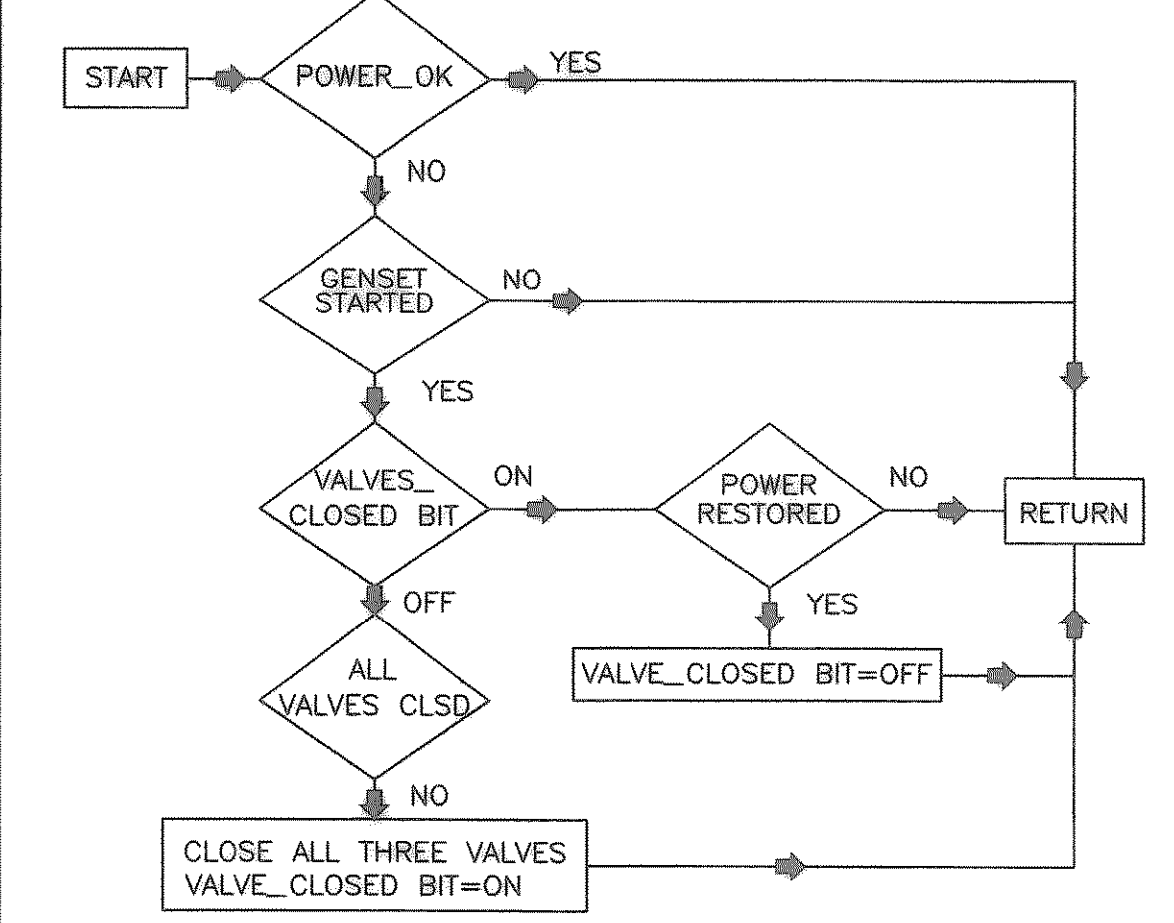
CHECK_ALARM SUBROUTINE



CHECK_INPUT SUBROUTINE

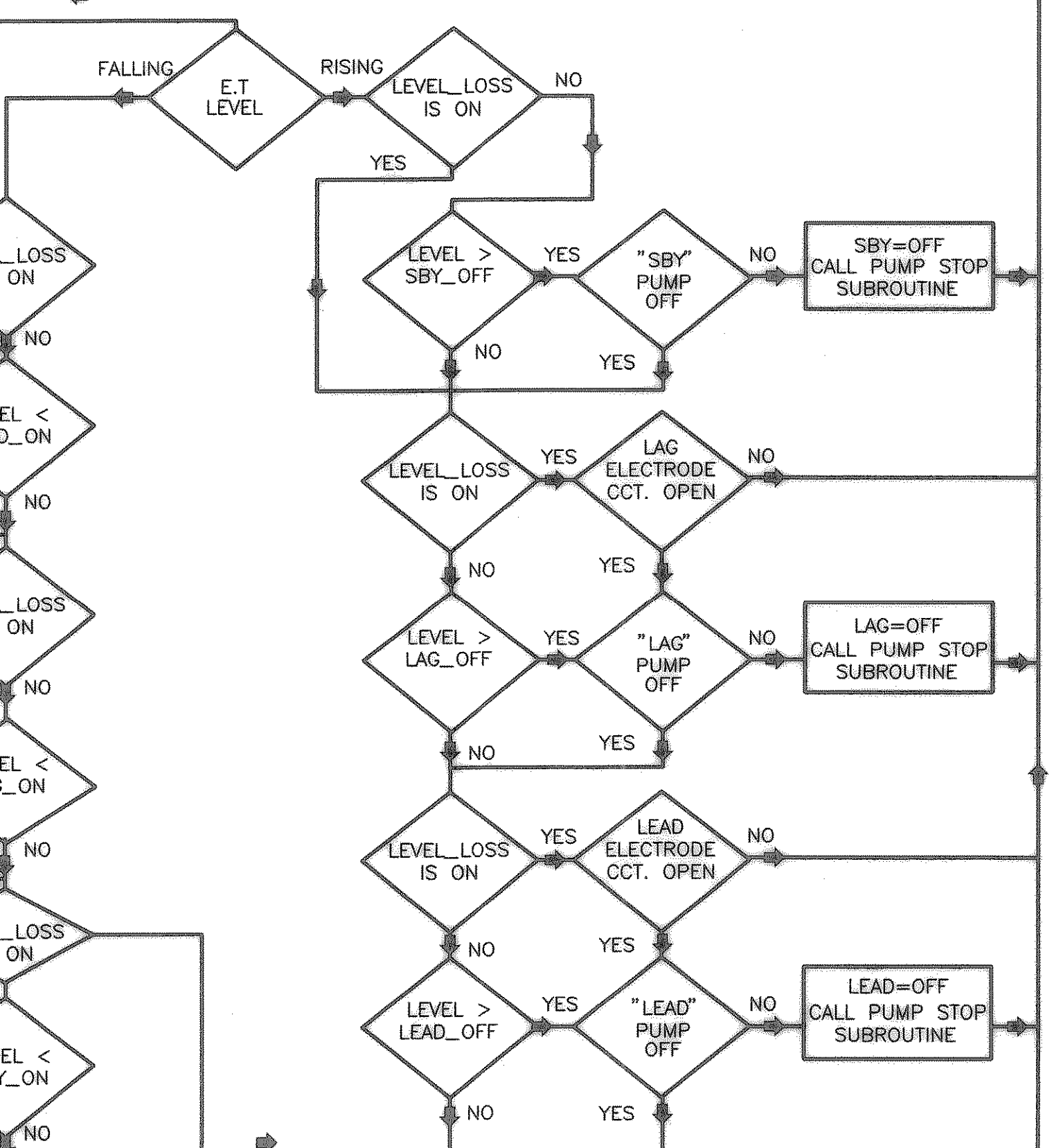


CHECK_POWER SUBROUTINE

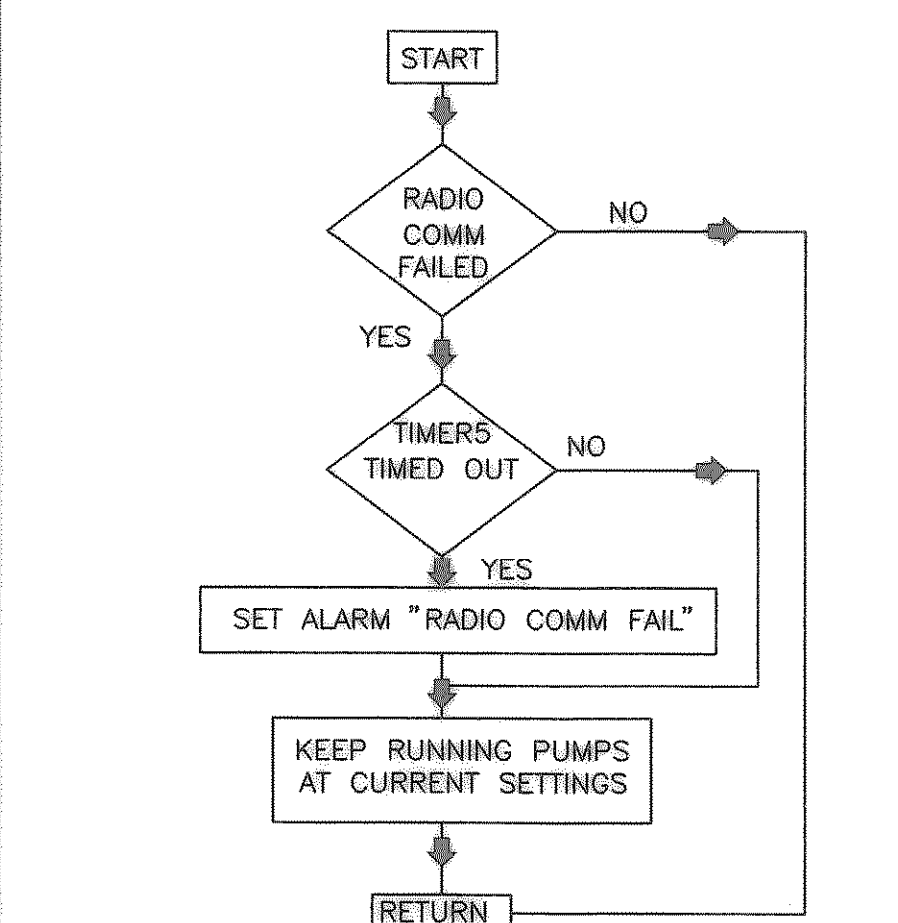


NOTES:

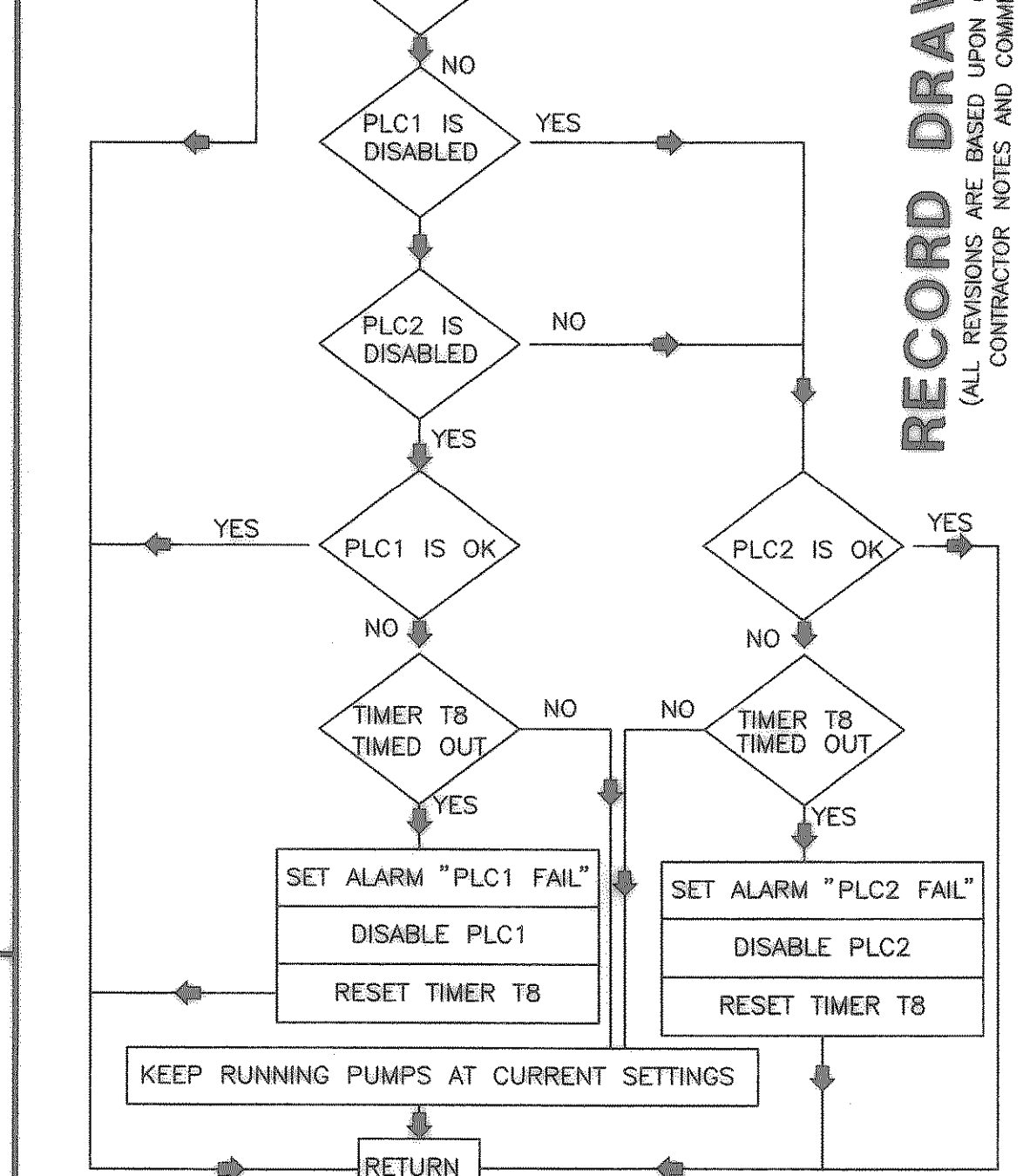
- FLOW CHARTS DESCRIBE BASIC PROGRAMMING FUNCTIONS ONLY. ADDITIONAL PROGRAMMING MAY BE REQUIRED. THE CONTRACTOR IS FULLY RESPONSIBLE FOR COMPLETING AND CORRECT SYSTEM FUNCTION REGARDLESS OF WHETHER DETAILED PROGRAMMING LOGIC IS SHOWN ON THE FLOW CHART.
- VALVE CONTROL BASED ON SYSTEM PRESSURE SHALL BE INCLUDED IN THE PROGRAMMING SCOPE ALTHOUGH IT IS NOT SHOWN ON THIS SHEET. SEE SPECIFICATION SECTION 16900, PARAGRAPH 2.6 FOR DESCRIPTION.



CHECK_RADIO SUBROUTINE

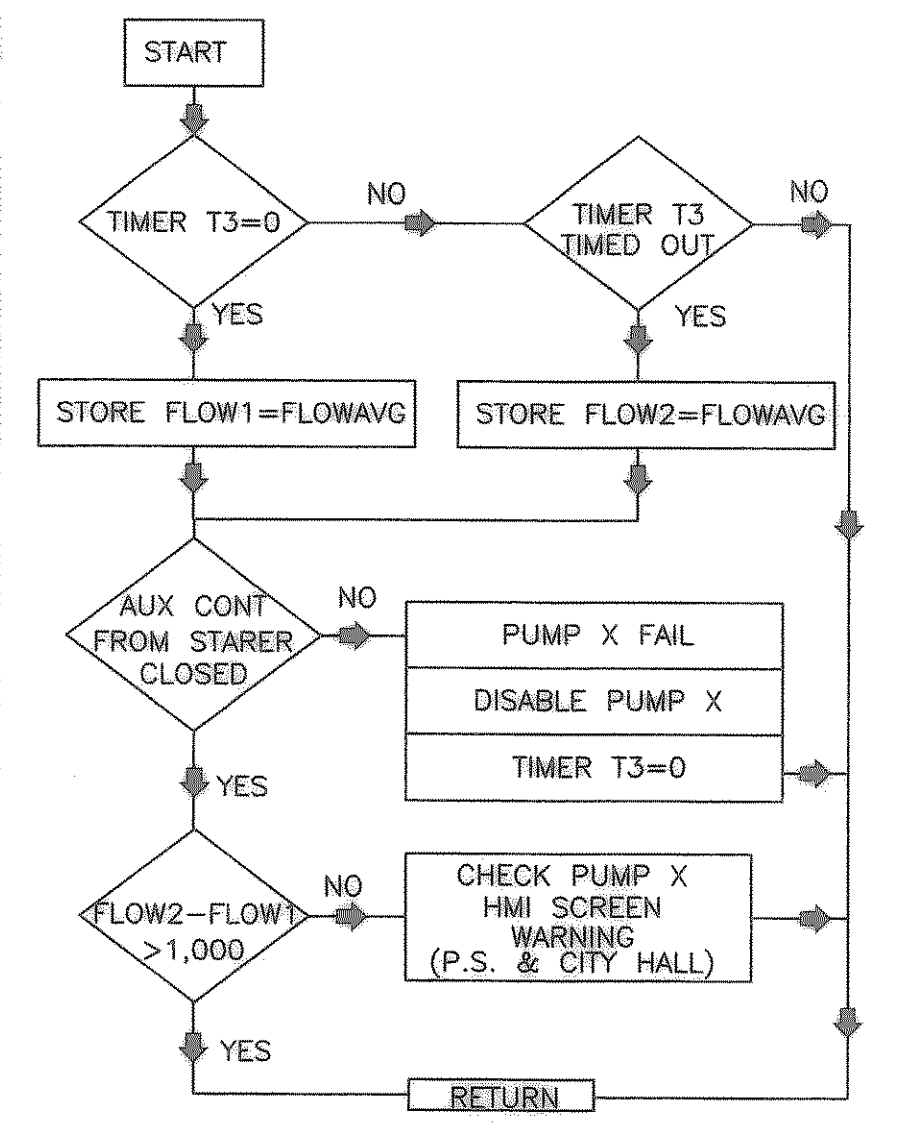


CHECK_PLC SUBROUTINE

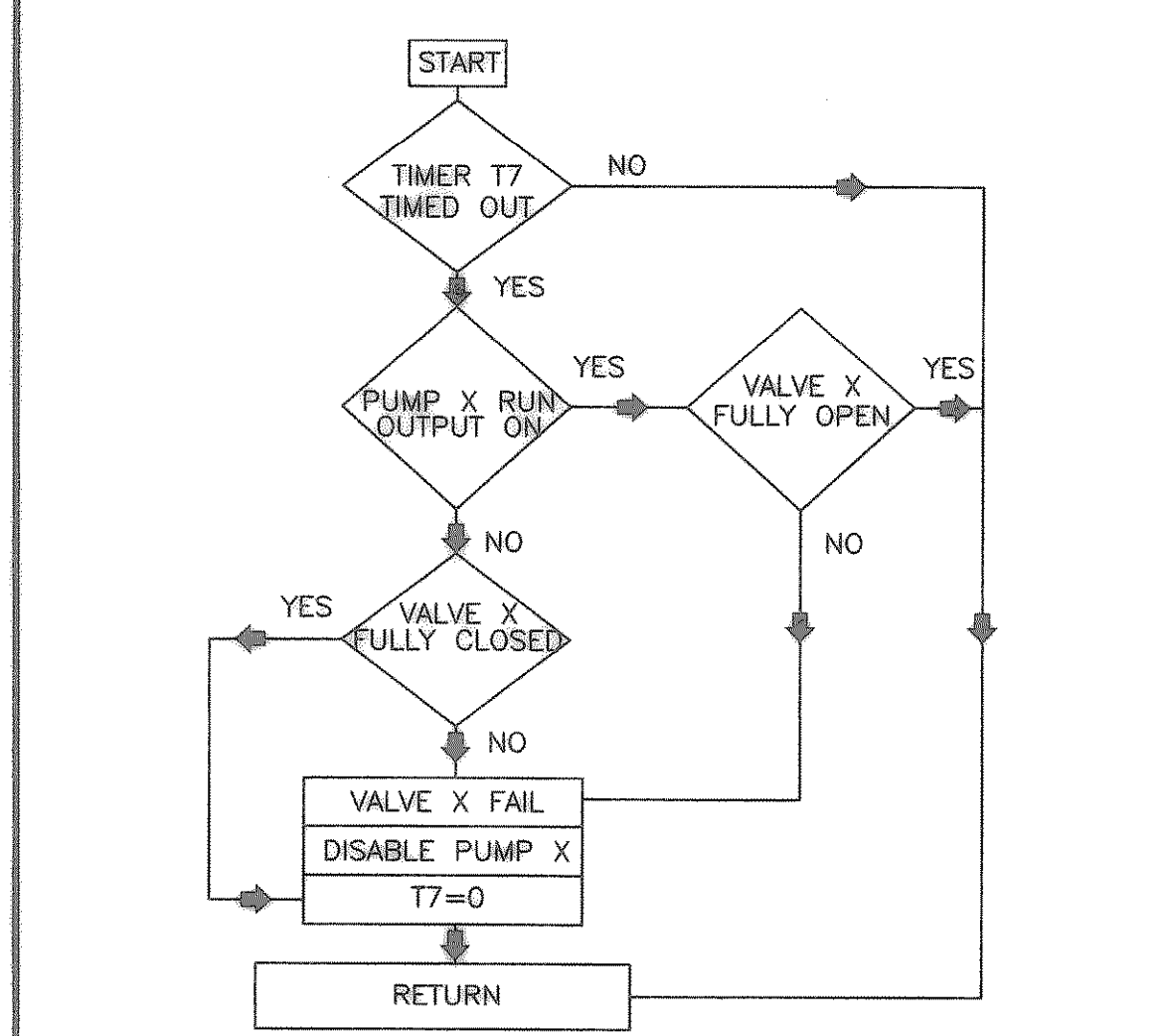


RECORD DRAWING
(ALL REVISIONS ARE BASED UPON CITY AND CONTRACTOR NOTES AND COMMENTS)

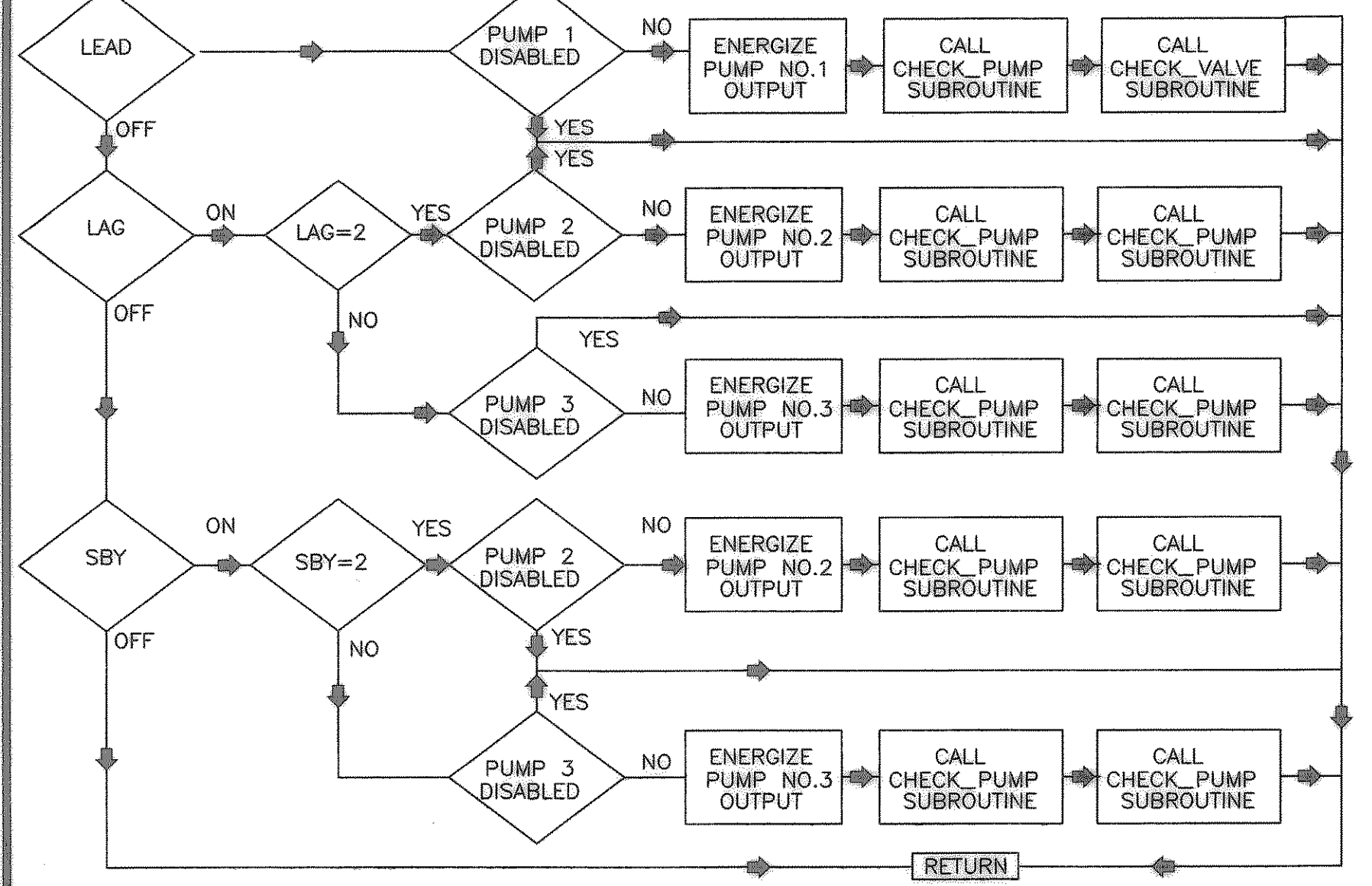
CHECK_PUMP SUBROUTINE



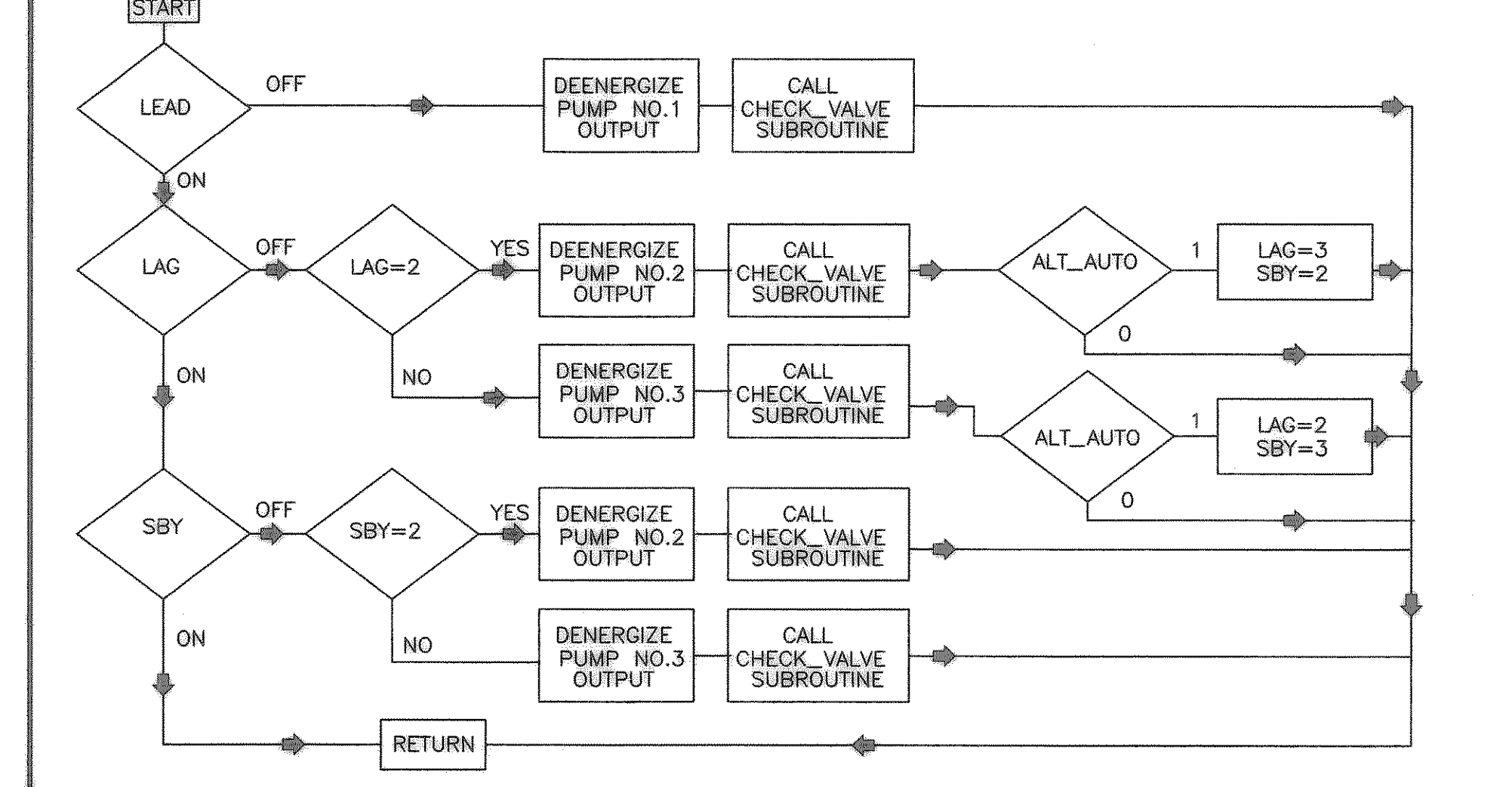
CHECK_VALVE SUBROUTINE



PUMP_START SUBROUTINE



PUMP_STOP SUBROUTINE



BT
REVISION
DATE
No.

CITY OF HEATH
PUMP STATION NO. 1
PLC PROGRAM FLOW CHART

STATE OF TEXAS
DAMIR LULO
90370
LICENSED PROFESSIONAL ENGINEER

SCALE: AS SHOWN
IF SHEET IS IN 11"x17" FORMAT, DRAWINGS ARE AT 1/2" OF NOTED SCALE.
PROJECT No.: 02150
DATE: SEP. 2003
DESIGNED: D.L.
DRAWN: FMI
CHECKED: J.T.M.
SHEET
E6
TOTAL SHEETS: 35

FREEMAN-MILLICAN, INC.
ENGINEERS - ARCHITECTS - PLANNERS
9500 FOREST LN. DALLAS, TX. 75243-0655