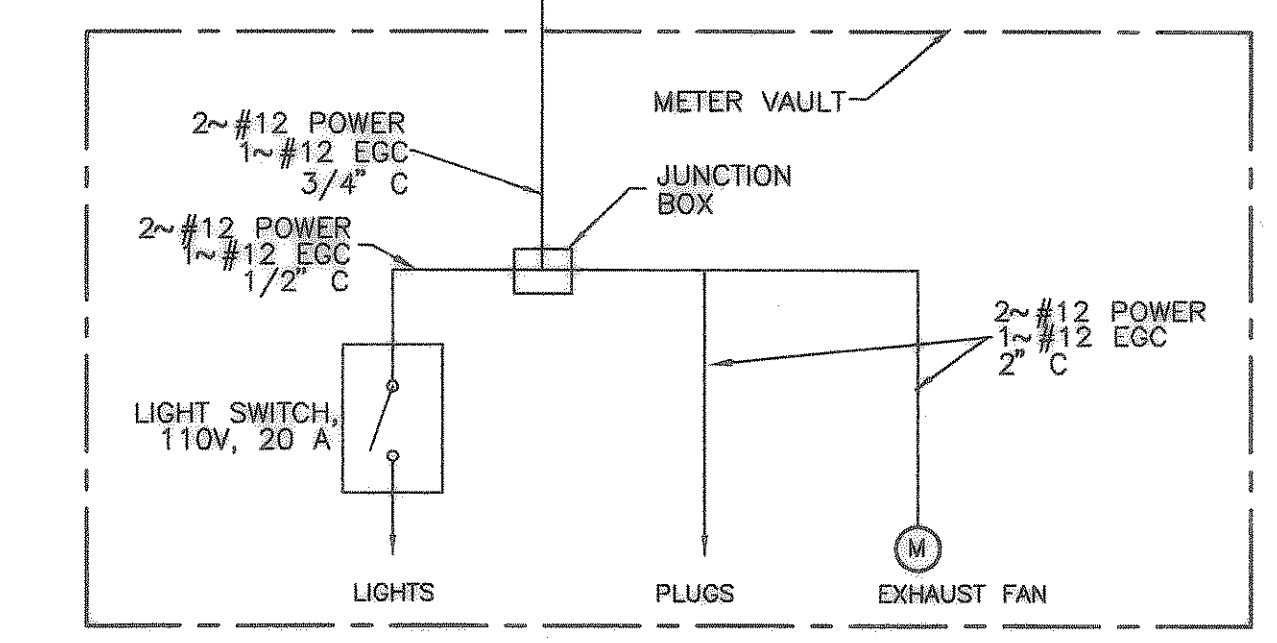
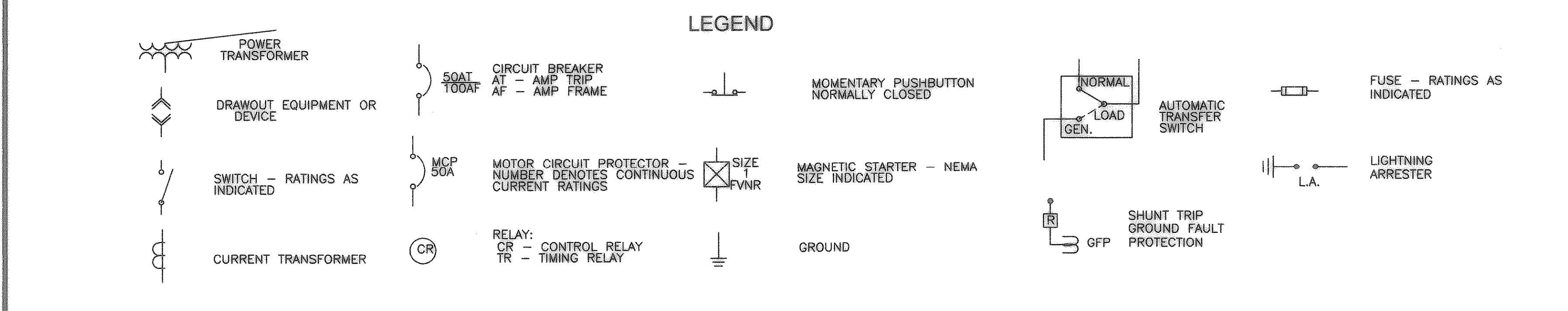
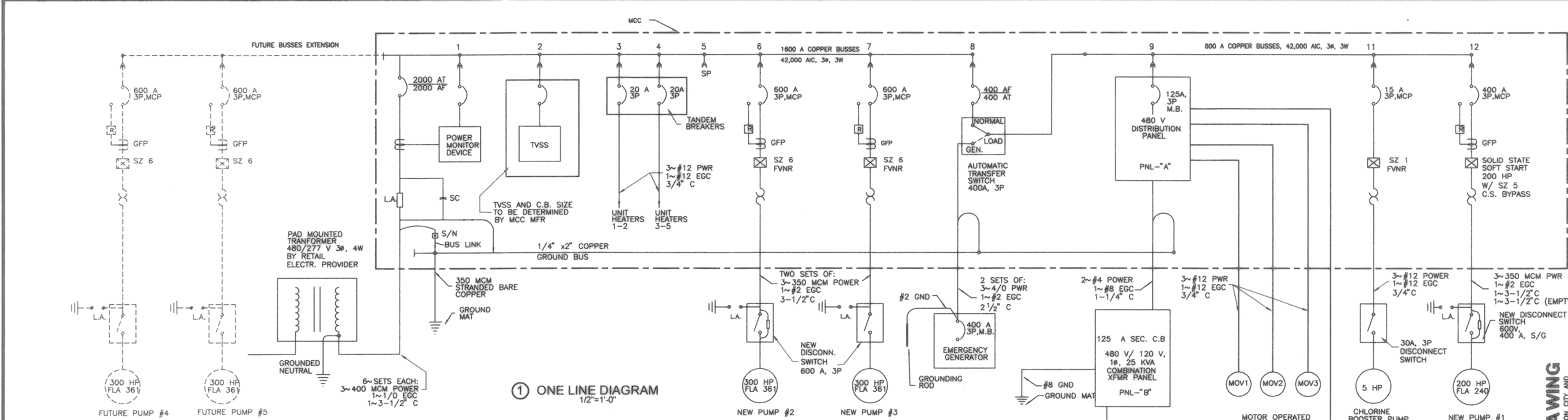


NO.	DATE	REVISION

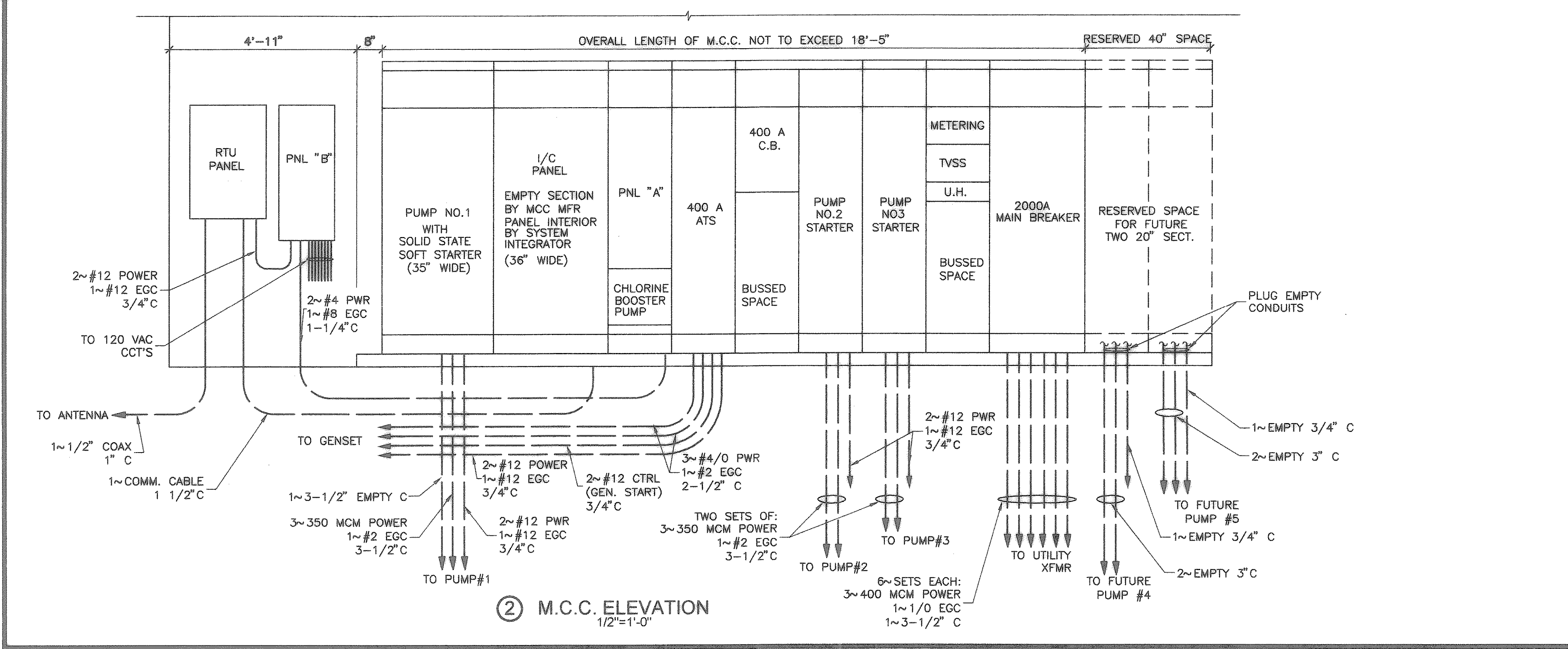
CITY OF HEATH  
 PUMP STATION NO. 1  
 ONE LINE DIAGRAM

RECORD DRAWING  
 (ALL REVISIONS ARE BASED UPON CITY AND CONTRACTOR NOTES AND COMMENTS)

STATE OF TEXAS  
 DAMIR LULO  
 LICENSED PROFESSIONAL ENGINEER  
 90870  
 THE SEAL APPEARING ON THIS DOCUMENT WAS AUTHORIZED BY DAMIR LULO, P.E. NO. 90870 ON 04/08/2004.  
 SCALE: AS SHOWN  
 IF SHEET IS IN 11"x17" FORMAT, DRAWINGS ARE AT 1/2" OF NOTED SCALE.  
 PROJECT No.: 02150  
 DATE: APRIL 2004  
 DESIGNED: D.L.  
 DRAWN: FMI  
 CHECKED: J.T.M.  
 SHEET  
**E2**  
 TOTAL SHEETS: 35



NOTE:  
 PUMP NO.1 WIRING IS SIZED FOR 200 HP MAX.  
 PUMP NO.2-NO.3 WIRING IS SIZED FOR 400 HP MAX.



**3 SCHEDULE PANEL - "A"**

480V/3Ø/3W  
 MCC MOUNTED  
 125 A MAIN C.B.  
 MAIN RATING 125 A  
 COPPER BUS  
 COPPER EQUIPMENT GROUND BAR, COPPER LUGS  
 SQUARE D NF OR APPROVED EQUAL  
 35,000 A RMS SYMMETRICAL UL LISTED SHORT CIRCUIT RATING (BREAKERS)

CCT. NO.	SERVES	LOAD (W)	BREAKER	WIRE	E.G.C.	CONDUIT
1,3,5	MOTOR OPERATED VALVE NO.1	1/8 HP	15A, 3P	3~#12	1~#12	3/4"
2,4,6	MOTOR OPERATED VALVE NO.2	1/8 HP	15A, 3P	3~#12	1~#12	3/4"
7,9,11	MOTOR OPERATED VALVE NO.3	1/8 HP	15A, 3P	3~#12	1~#12	3/4"
8,10	GENERATOR HEATERS	6,000	20A, 2P	2~#12	1~#12	3/4"
11,13	PANEL "B" FEED	20,000	60A, 2P	2~#4	1~#8	1-1/4"
12,14,16	SCRUBBER	6,000	20A, 3P	2~#12	1~#12	3/4"
14-30						

**4 SCHEDULE PANEL - "B"**

120V/240V/1Ø/3W  
 SURFACE MOUNTED, NEMA 1 ENCLOSURE  
 COMBINATION TRANSFORMER PANEL  
 125 A, 2P, 120/240 V SEC. C.B.  
 25 KVA TRANSFORMER 480/120/240V  
 GROUND BUS

CCT.	SERVES	LOAD (W)	BREAKER	WIRE	E.G.C.	CONDUIT
1	P.S. LIGHTS, YARD LIGHT	1,100	20A, 1P	2~#12	1~#12	3/4"
2	PLUGS	1,260	20A, 1P	2~#12	1~#12	3/4"
3	PLUGS	1,260	20A, 1P	2~#12	1~#12	3/4"
4	SUMP PUMP, FANS, SPRINKLER	1,200	20A, 1P	2~#12	1~#12	3/4"
5	METER VAULT	500	20A, 1P	2~#12	1~#12	3/4"
6	REMOTE TERMINAL UNIT (RTU), I/C	1,500	20A, 1P	2~#12	1~#12	3/4"
7,9	A/C UNIT	2,900	20A, 1P	2~#12	1~#12	3/4"
8,10	SPACES					
12-24	SPACES					