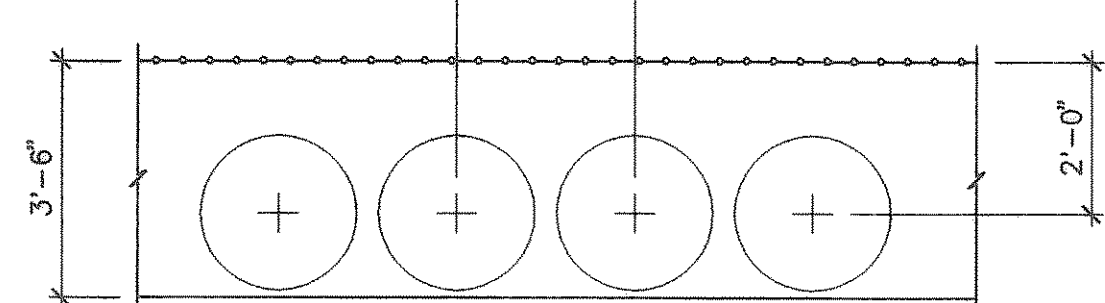
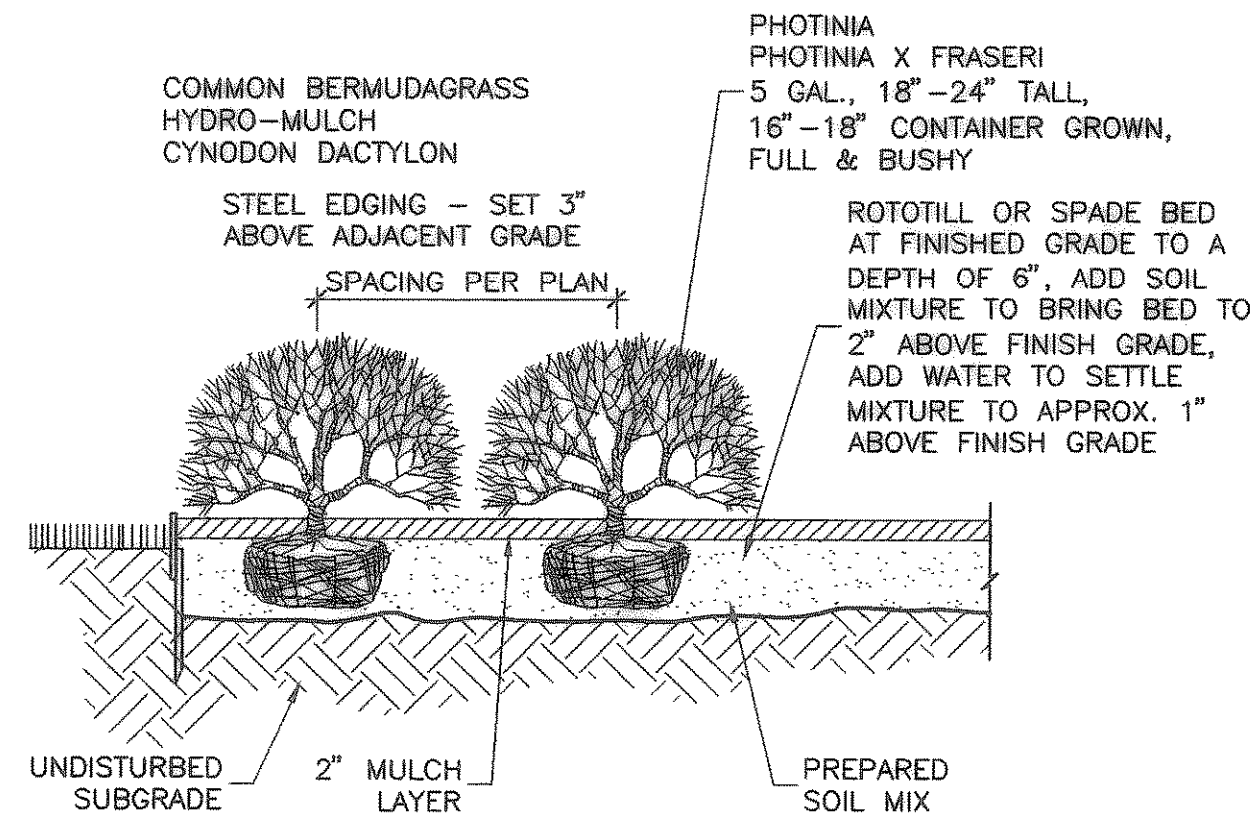


NOTE: SEE SITE PLAN FOR PLANTING LAYOUT.



STEEL EDGING

PLAN

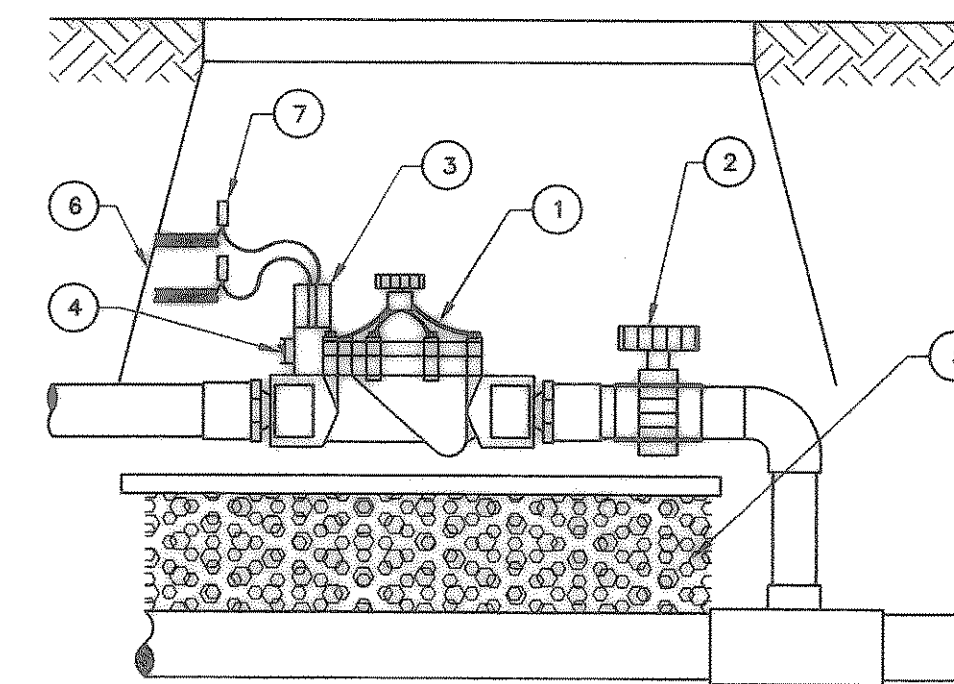


SECTION

① SHRUB PLANTING DETAIL
NO SCALE

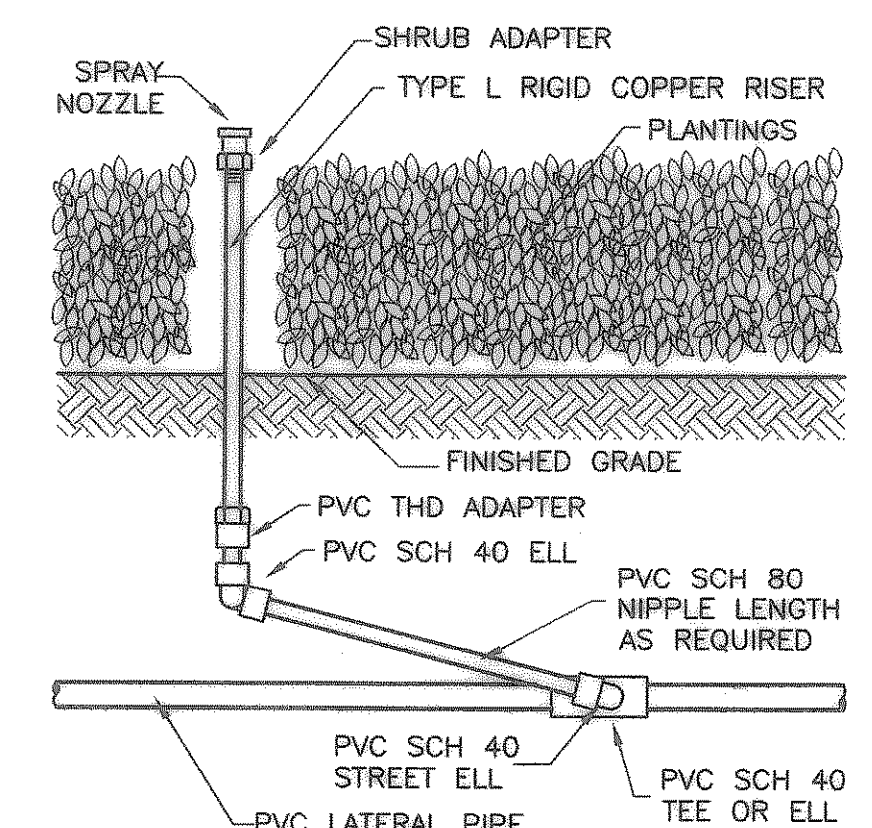
LANDSCAPE NOTES

- REFER TO SITE PLAN FOR PLANTING LOCATIONS.
- COORDINATE WORK WITH RELATED SUB-CONTRACTORS AS REQUIRED TO ACCOMPLISH ALL PLANTING OPERATIONS.
- MAINTAIN ALL SHRUB AND GROUND COVER AREAS IN A WEED AND DEBRIS FREE CONDITION UNTIL FINAL ACCEPTANCE.
- ROTOTILL BED AREAS TO A DEPTH OF 6", ADD PREPARED SOIL MIXTURE, ROTOTILL, RAKE LEVEL, AND PLANT. BED AREAS ARE TO BE LEFT 2" ABOVE FINISHED GRADE.
- AFTER SETTLEMENT AND COMPACTION ALL PLANTING BEDS SHALL RECEIVE A MINIMUM 2" LAYER OF SHREDDED HARDWOOD MULCH.
- PLANTING SOIL MIXTURE FOR SHRUBS AND GROUND COVER SHALL BE 75% EXISTING SOIL, 25% BACK TO EARTH OR VITA EARTH WITH 10-15 LBS. FERTILIZER/C.Y., OR APPROVED EQUAL SOIL CONDITIONER.
- SEE SPECIFICATIONS FOR FERTILIZER. APPLICATION RATE TO BE APPROVED BY ENGINEER FOR GROUND COVER, SHRUBS, AND TREES.
- THE VITALITY OF ALL PLANT MATERIAL, WITH THE EXCEPTION OF SEASONAL COLOR, SHALL BE GUARANTEED FOR A PERIOD OF ONE YEAR.
- SEE IRRIGATION PLAN, SHEET C6, FOR AREAS TO BE IRRIGATED.
- TOPSOIL SHALL BE NATURAL, FERTILE, FRIABLE SOIL POSSESSING CHARACTERISTICS OF REPRESENTATIVE PRODUCTIVE SOILS IN THE VICINITY. IT SHALL NOT BE EXCESSIVELY ACID OR ALKALINE, OR CONTAIN TOXIC SUBSTANCES WHICH MAY BE HARMFUL TO PLANT GROWTH. TOPSOIL SHALL BE WITHOUT ADMIXTURE OF SUBSOIL, AND SHALL CONTAIN A MINIMUM OF LUMPS, STONE, STUMPS, ROOTS, OR SIMILAR SUBSTANCES OF ONE INCH OR MORE IN DIAMETER. TOPSOIL SHALL BE FREE FROM WEEDS AND OTHER NOXIOUS MATERIALS. TOPSOIL SHALL NOT BE STRIPPED, COLLECTED OR DEPOSITED WHILE WET.
- LOCATE EDGING AS SHOWN ON PLANS AND ALONG ALL CURBS WHICH ARE ADJACENT TO BED AREAS. EDGING SHALL BE MANUFACTURED BY V.T. RYERSON OR APPROVED EQUAL. COLOR SHALL BE SELECTED BY ENGINEER.
- LAWN AREAS SHALL BE COMMON BERMUDA GRASS, SEE SPECIFICATIONS.

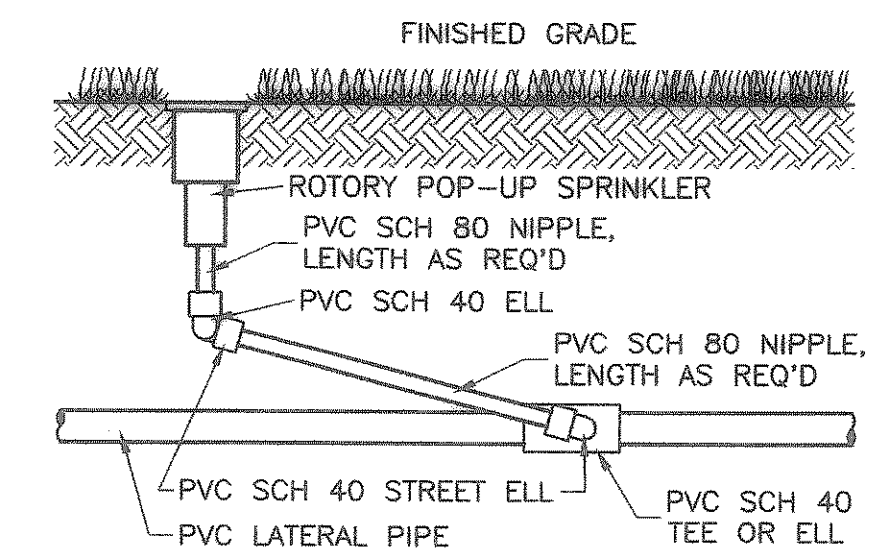


- REMOTE CONTROL VALVE
- UNION BALL VALVE
- SOLENOID
- MANUAL BLEED LEVER
- 4" GRAVEL SUPPORT
- RECTANGULAR PLASTIC VALVE BOX BY VALVE MFR.
- EXPANSION COIL AND WATERPROOF CONNECTOR

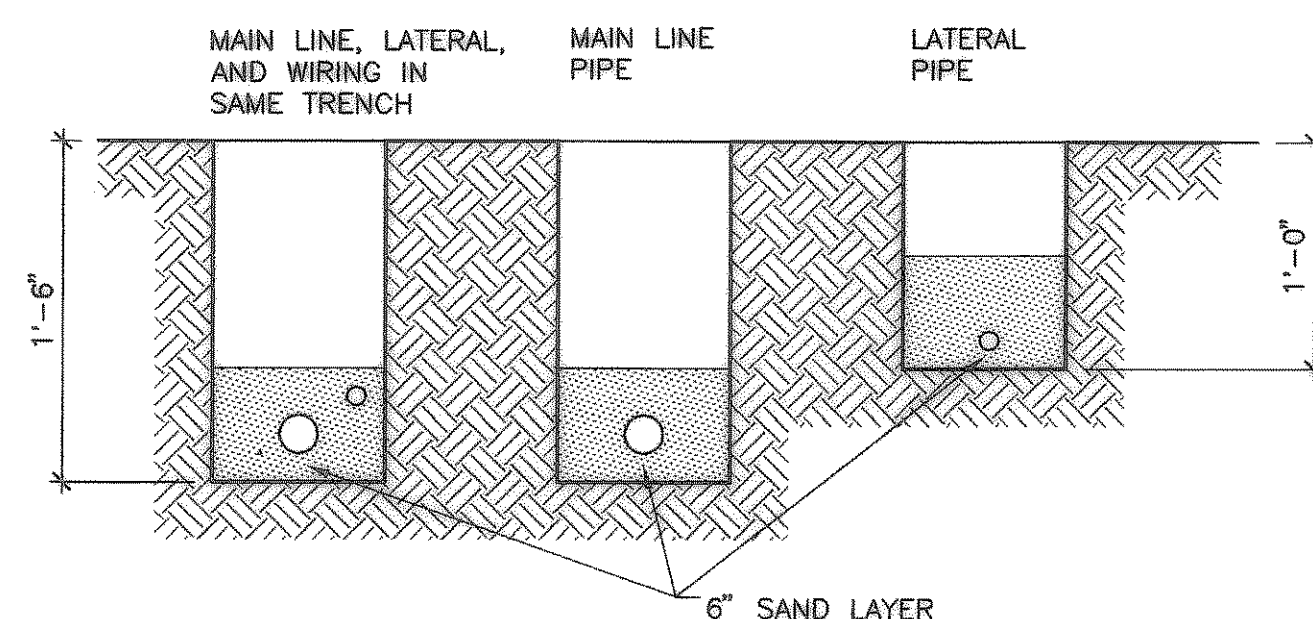
② REMOTE CONTROL VALVE
NO SCALE



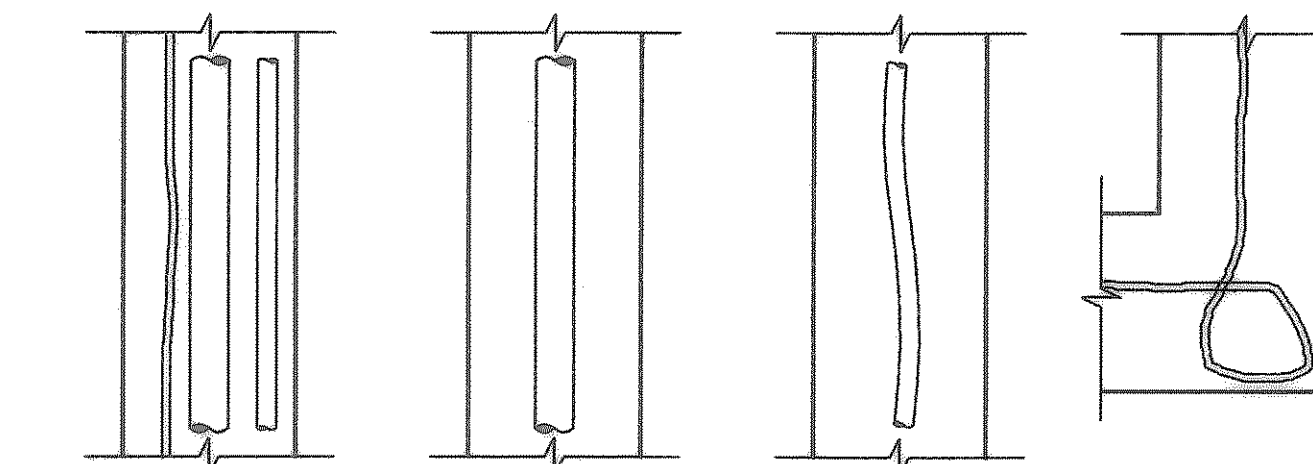
SHRUB SPRAY NOZZLE



③ ROTARY POP-UP SPRAY NOZZLE
SPRINKLER NOZZLES
NO SCALE



SECTION VIEWS



RUN WIRING BENEATH AND BESIDE MAIN LINE. TAPE AND BUNDLE AT 10-FOOT INTERVALS.

ALL SOLVENT WELD PLASTIC PIPING TO BE SNAKED IN TRENCH AS SHOWN.

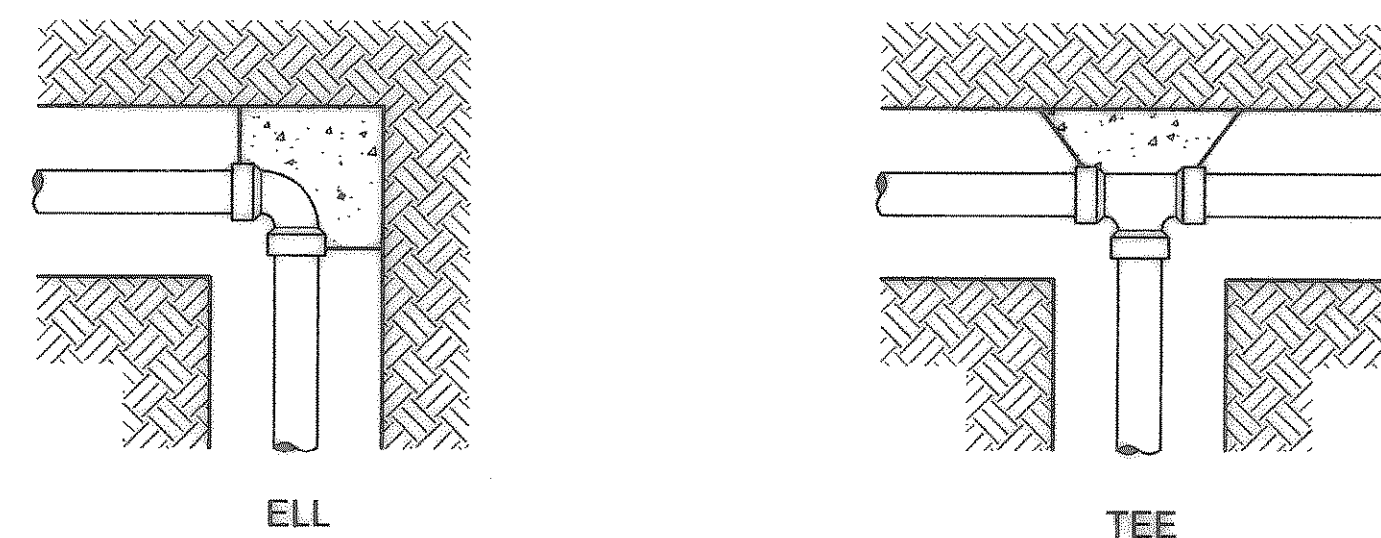
TIE 24" LOOP IN ALL WIRING AT CHANGES OF DIRECTION OF 30° OR GREATER. UNTIE AFTER ALL CONNECTIONS HAVE BEEN MADE.

NOTES:

SLEEVE BELOW ALL HARDSCAPE ELEMENTS WITH CLASS 200 PVC TWICE THE DIAMETER OF THE PIPE OR WIRE BUNDLE WITHIN.

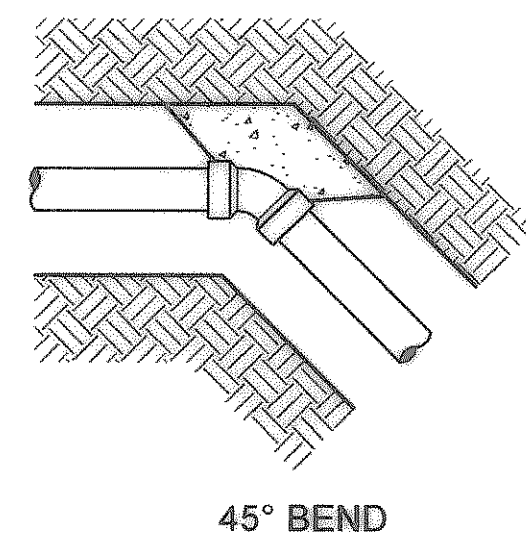
FOR PIPE AND WIRE BURIAL DEPTHS SEE SPECIFICATIONS.

④ IRRIGATION SYSTEM
NO SCALE



ELL

TEE



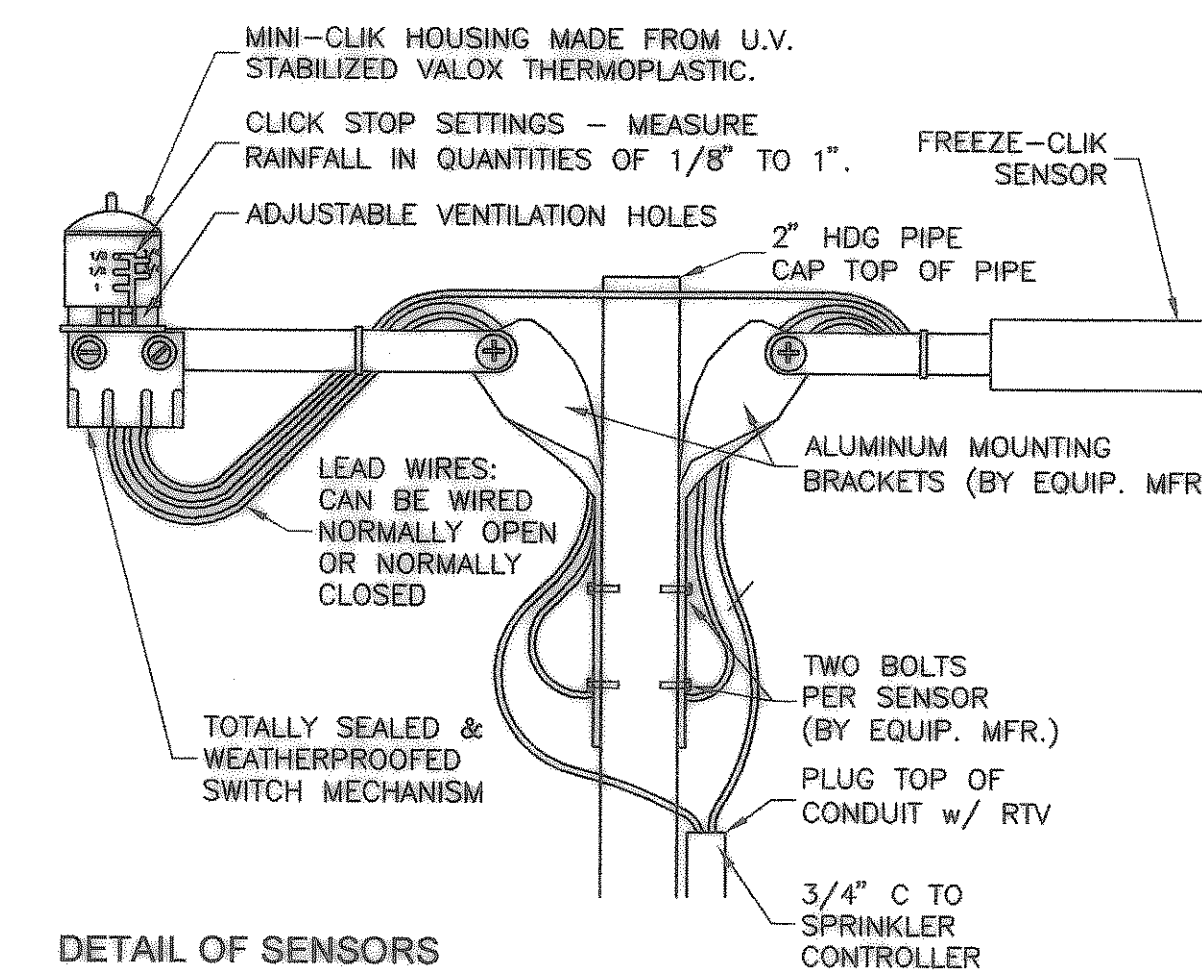
45° BEND

⑤ THRUST BLOCKING
NO SCALE

NOTES:

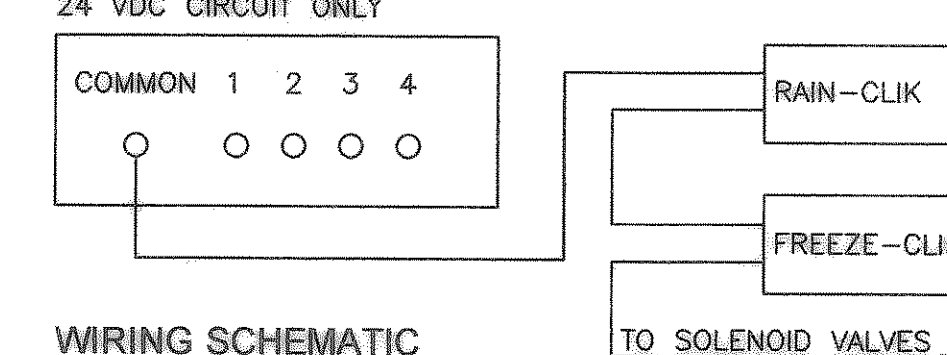
SUPPLY LINES 2-INCHES IN DIAMETER AND LARGER SHALL RECEIVE CONCRETE THRUST BLOCKS.

CONCRETE THRUST BLOCKS SHALL CONSIST OF 0.5 CU. FT. OF DRY CONCRETE MIX FOR EACH FITTING.



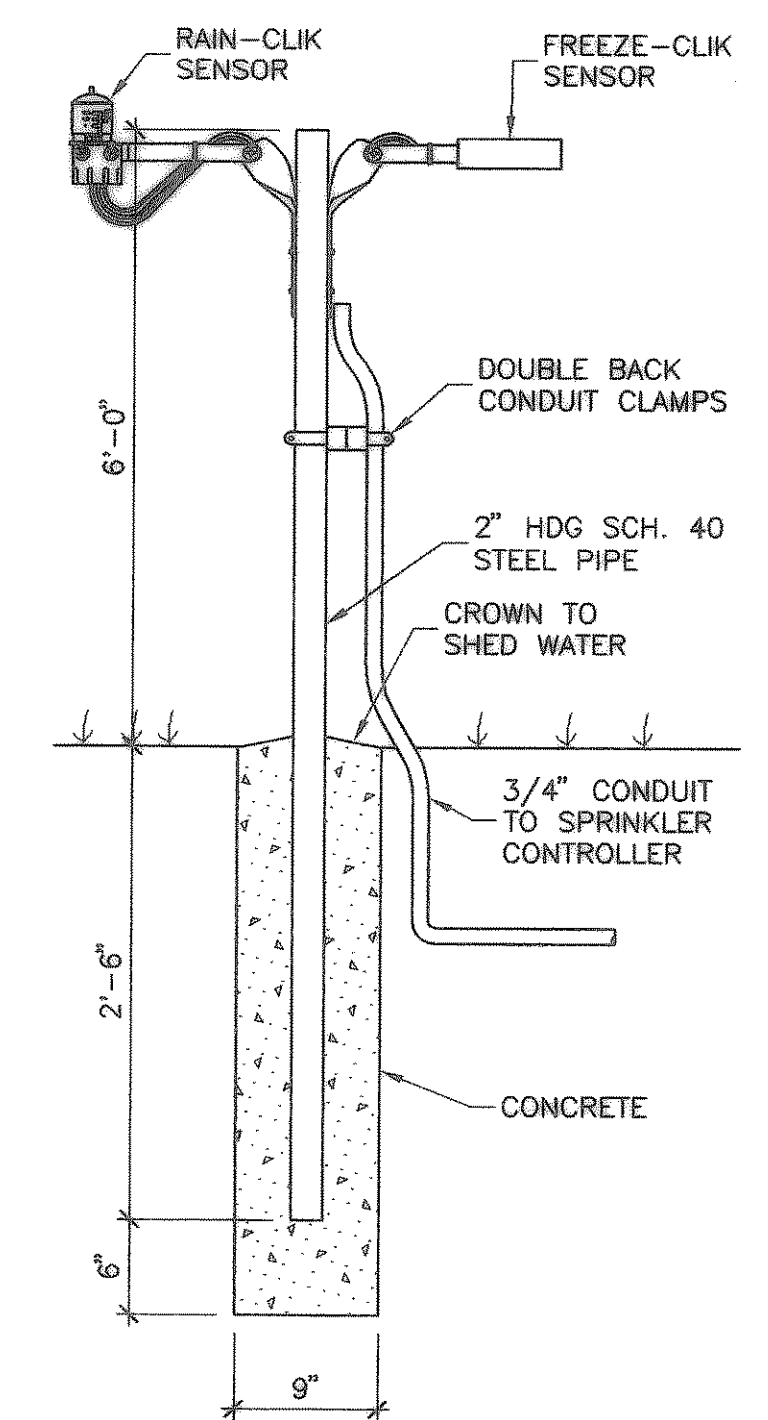
DETAIL OF SENSORS

CONTROLLER TERMINAL BOARD
24 VDC CIRCUIT ONLY



WIRING SCHEMATIC

⑥ FREEZE-CLIK & RAIN CLIK SENSORS
NO SCALE



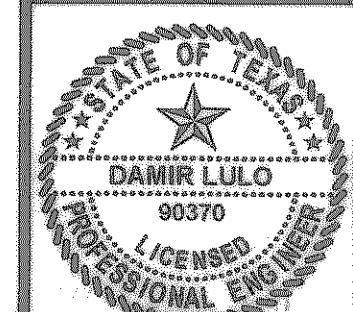
SENSOR MOUNTING DETAIL

RECORD DRAWING
(ALL REVISIONS ARE BASED UPON CITY AND CONTRACTOR NOTES AND COMMENTS)

CITY OF HEATH
PUMP STATION NO. 1

LANDSCAPING & IRRIGATION DETAILS

NO.	DATE	REVISION	BY



THE SEAL APPEARING ON THIS DOCUMENT WAS AUTHORIZED BY DARRYL LULO, P.E. NO. 90370 ON 01-19-2005.

SCALE: AS NOTED

PROJECT No.: 02150
DATE: JAN. 2005
DESIGNED: FMI
DRAWN: FMI
CHECKED: DL

SHEET
C7
TOTAL SHEETS: 35

Freeman-Millican, Inc.
ENGINEERS - ARCHITECTS - PLANNERS
9500 FOREST LN. DALLAS, TX. 214.503.0656