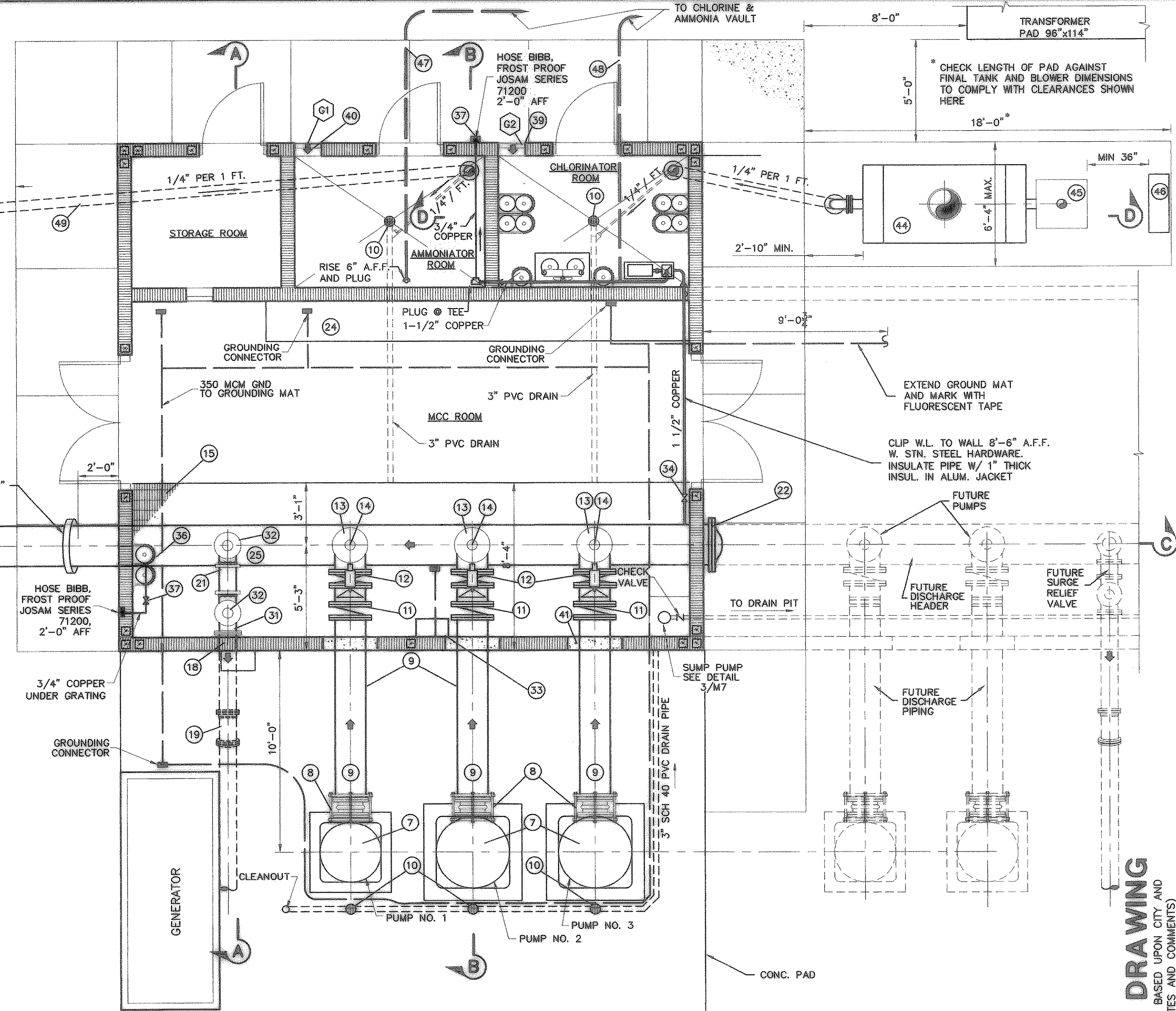
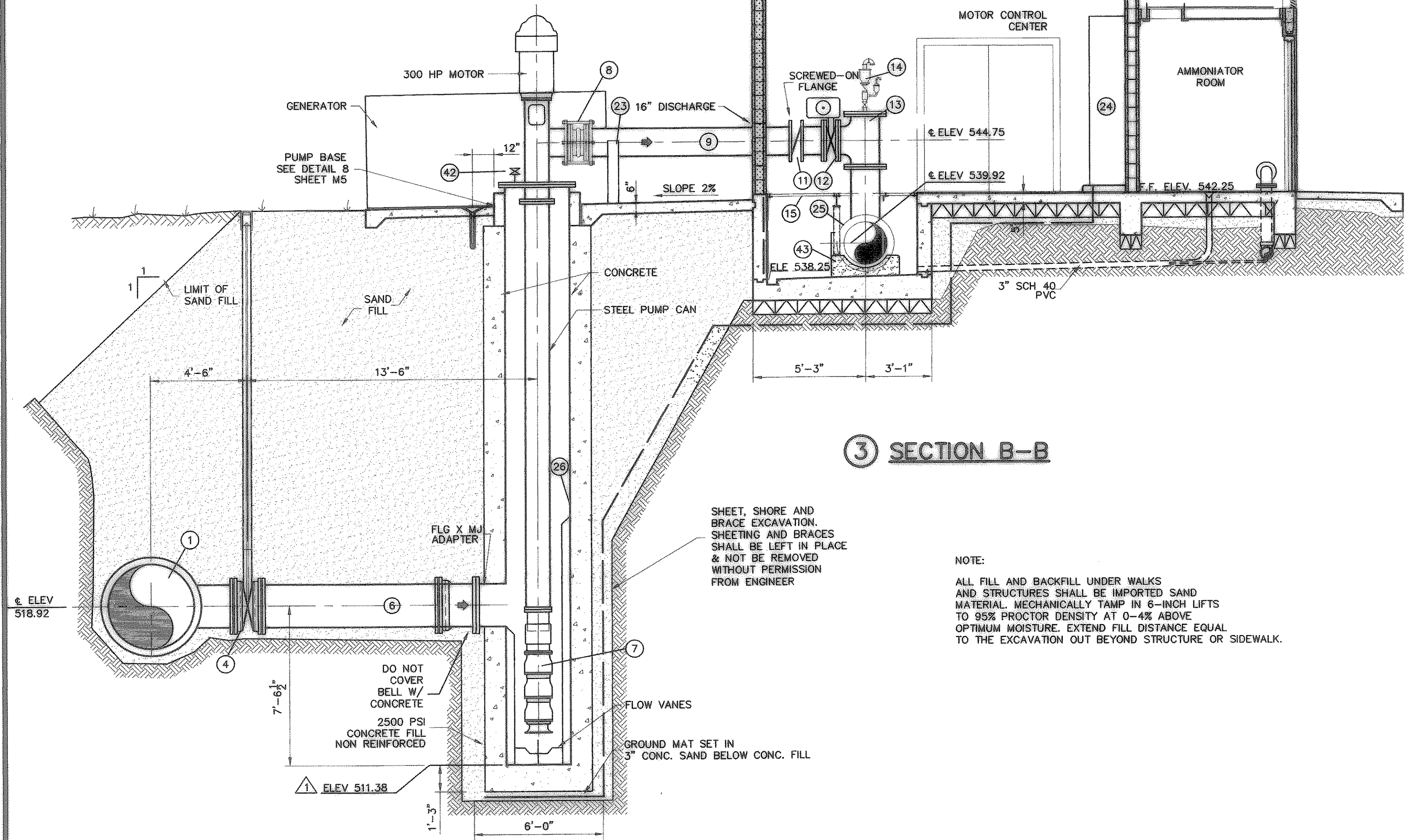


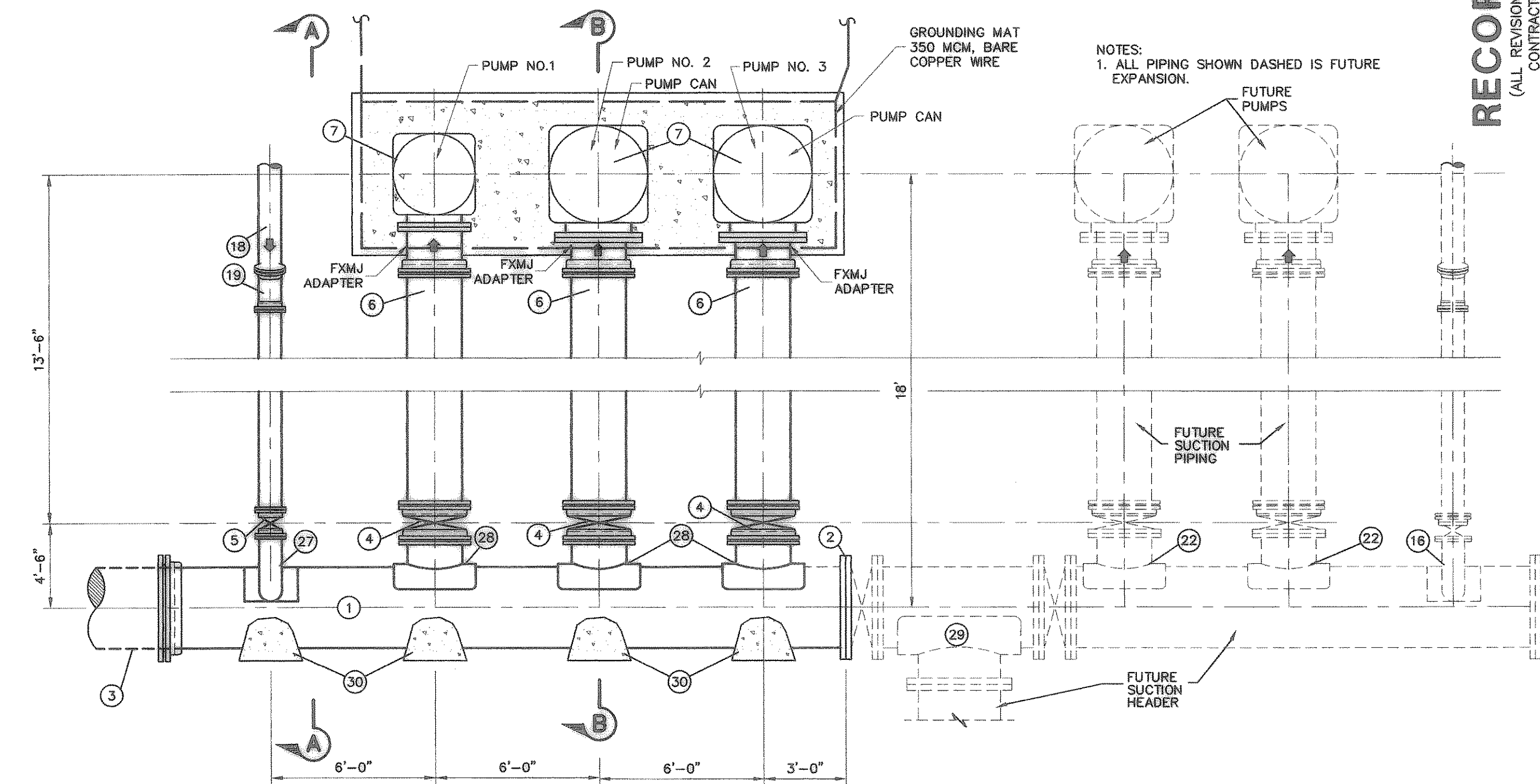
① SECTION A-A



② PLAN AT ELEVATION 543.00



③ SECTION B-B



④ PLAN AT ELEVATION 520.00

NOTE:  
ALL FILL AND BACKFILL UNDER WALKS AND STRUCTURES SHALL BE IMPORTED SAND MATERIAL. MECHANICALLY TAMP IN 6-INCH LIFTS TO 95% PROCTOR DENSITY AT 0-4% ABOVE OPTIMUM MOISTURE. EXTEND FILL DISTANCE EQUAL TO THE EXCAVATION OUT BEYOND STRUCTURE OR SIDEWALK.

SHEET, SHORE AND BRACE EXCAVATION: SHEETING AND BRACES SHALL BE LEFT IN PLACE & NOT BE REMOVED WITHOUT PERMISSION FROM ENGINEER

DO NOT COVER BELL W/ CONCRETE  
2500 PSI CONCRETE FILL NON REINFORCED  
ELEV 511.38

BY	
REVISION	
NO.	DATE
10	03/03
	CORRECTED ELEVATION

CITY OF HEATH  
 PUMP STATION NO. 1  
 PUMP STATION PLAN & SECTIONS  
 RECORD DRAWING  
 (ALL REVISIONS ARE BASED UPON CITY AND CONTRACTOR NOTES AND COMMENTS)

STATE OF TEXAS  
 DAMIR LULO  
 90370  
 LICENSED PROFESSIONAL ENGINEER

THE SEAL APPEARING ON THIS DOCUMENT WAS AUTHORIZED BY DAMIR LULO, P.E. NO. 90370 ON 01/09/2005

SCALE: 1/4" = 1'-0"  
 IF SHEET IS IN 11"x17" FORMAT, DRAWINGS ARE AT 1/2 OF NOTED SCALE.

PROJECT No.: 02150  
 DATE: JAN. 2005  
 DESIGNED: D.L.  
 DRAWN: FMI  
 CHECKED: J.T.M.

SHEET  
**M3**  
 TOTAL SHEETS: 35