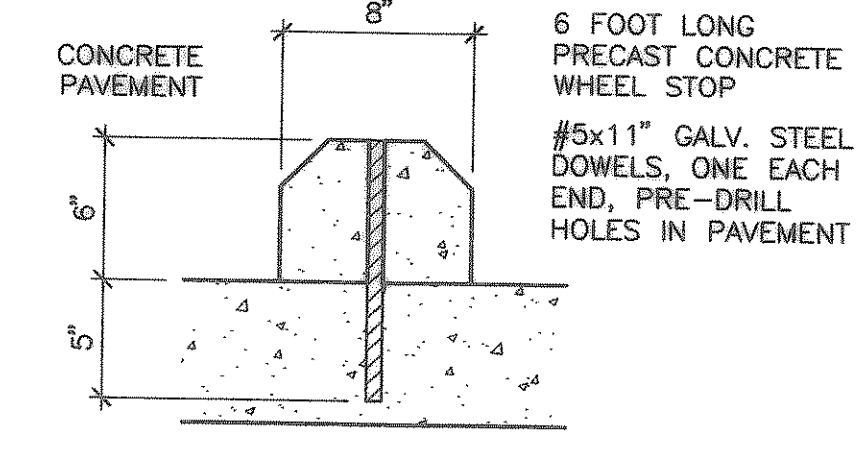


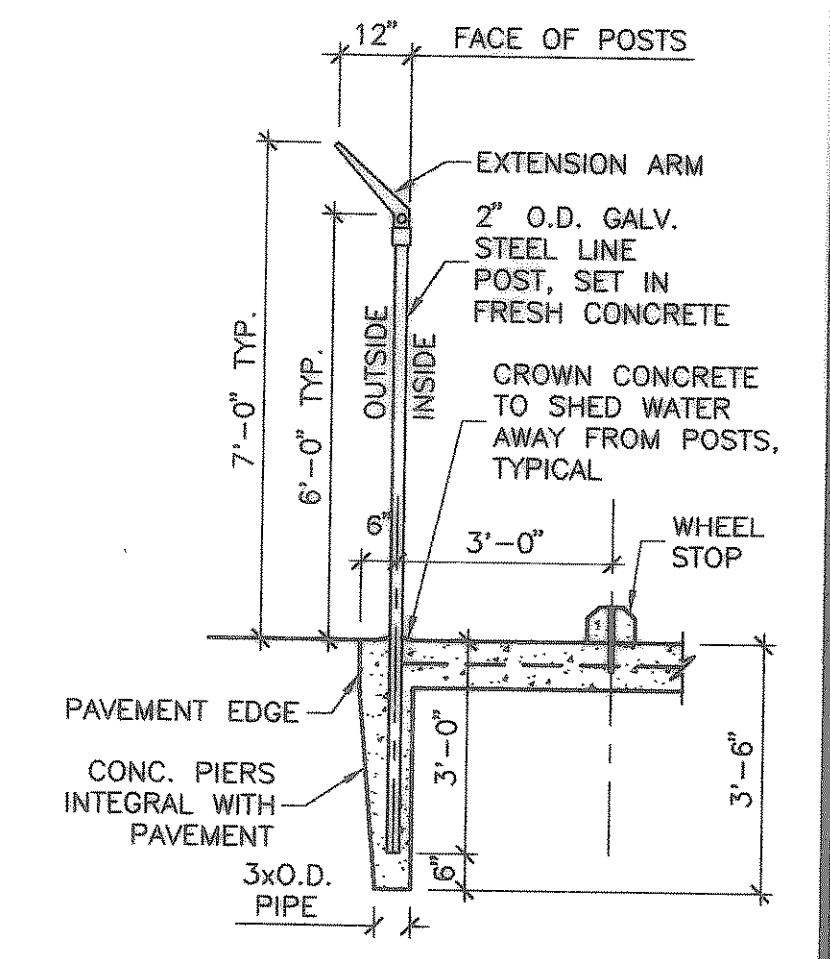
1 SITE PLAN  
1"=20'

LEGEND

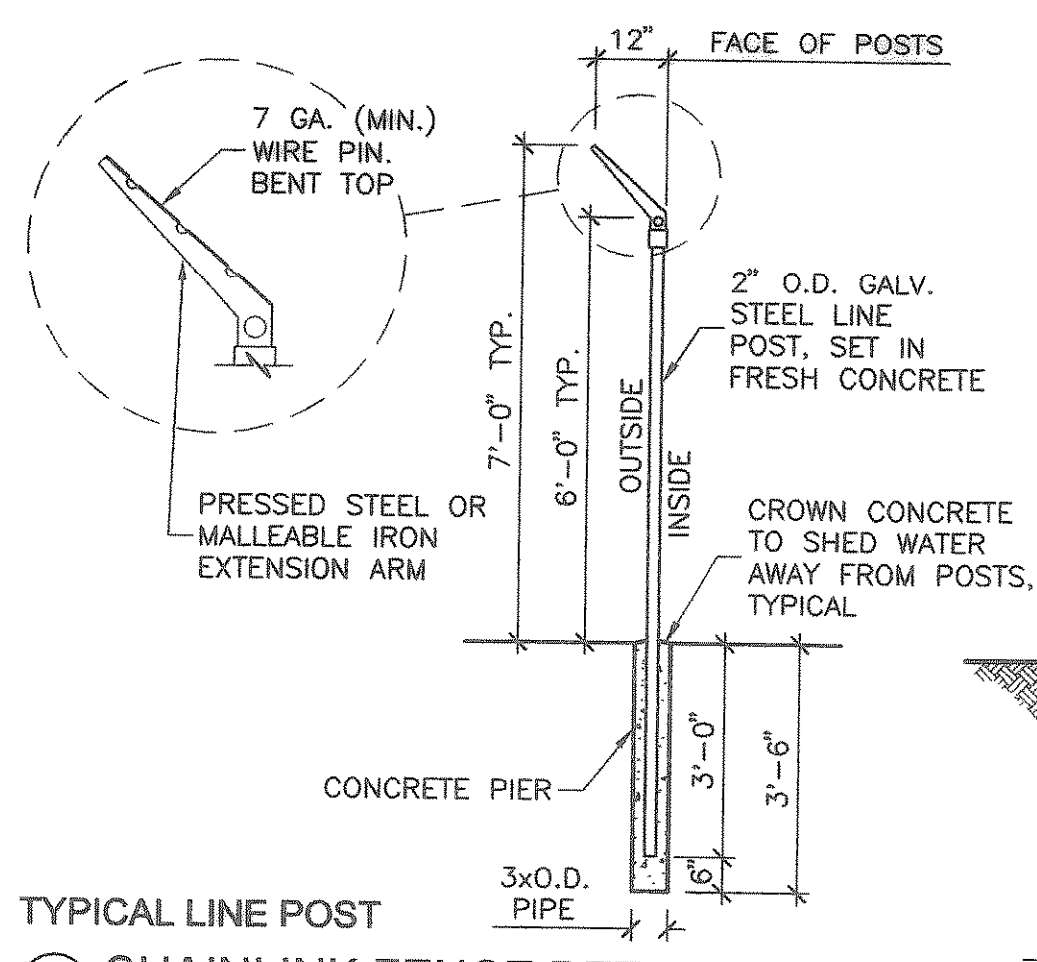
- PROPERTY LINE
- - - BUILDING LINE
- - - PROPOSED CHAINLINK FENCE
- - - EXISTING CONCRETE PAVEMENT
- XFMR ELECTRICAL TRANSFORMER
- F.F.E. FINISH FLOOR ELEVATION
- EJ EXPANSION JOINT
- IJ ISOLATION JOINT
- CJ CONTRACTION JOINT
- KJ KEYED CONSTRUCTION JOINT
- RCP REINFORCED CONCRETE PIPE
- ⊕ FIRE HYDRANT
- ⊙ WATER VALVE
- ⊙ WATER METER
- ⊙ SANITARY MANHOLE
- ⊙ POWER POLE



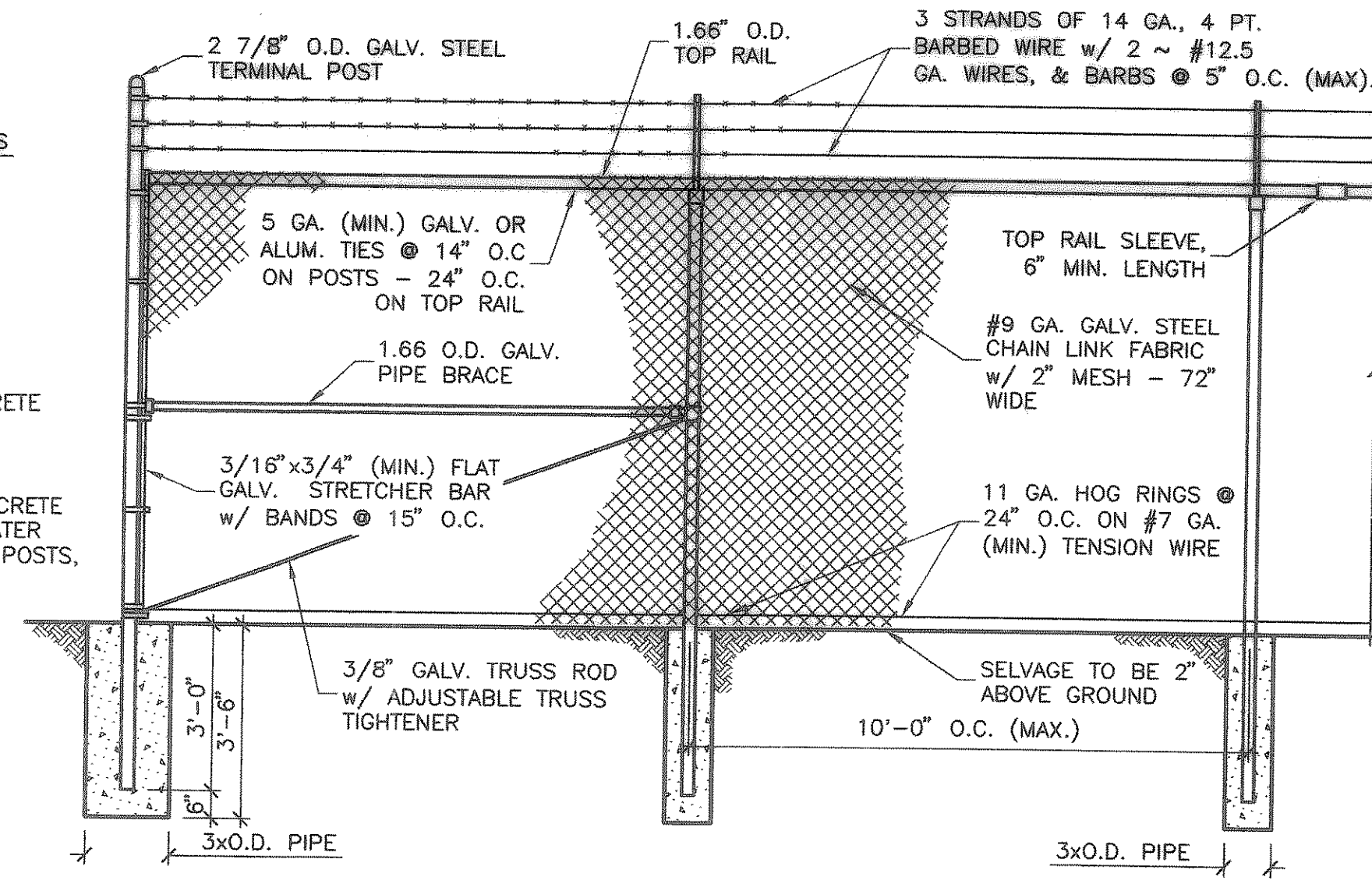
2 WHEEL STOP  
1 1/2"=1'-0"



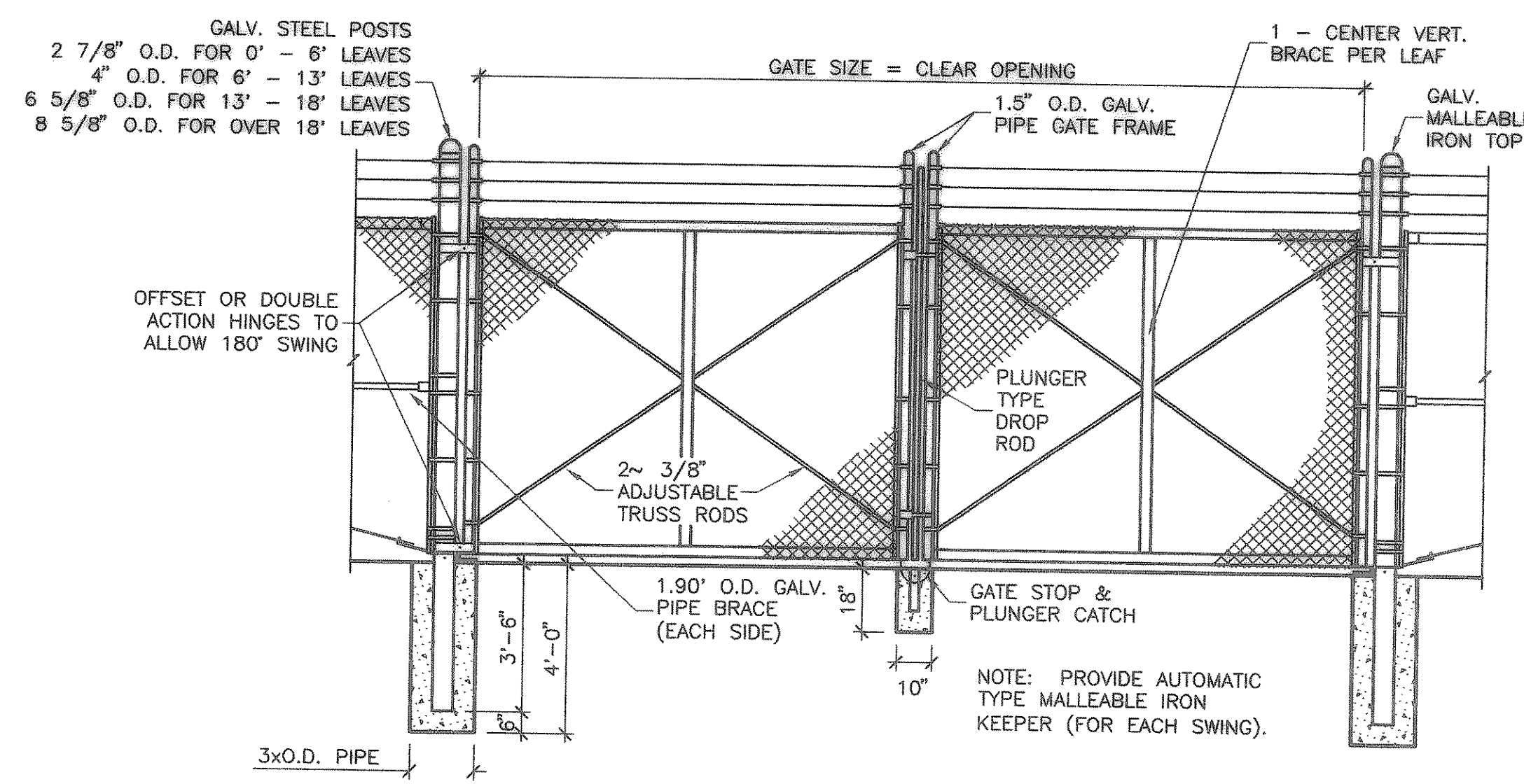
3 FENCE @ PAVEMENT EDGE  
1 1/2"=1'-0"



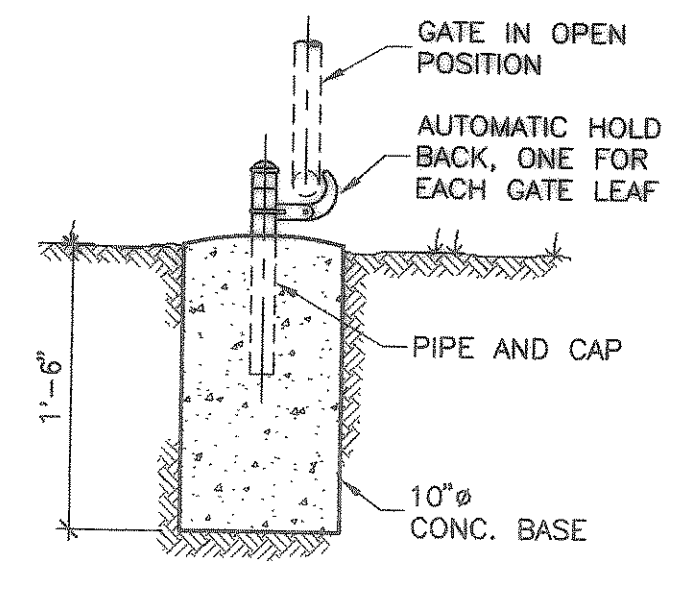
4 CHAINLINK FENCE DETAILS  
NO SCALE



TYPICAL FENCE & TERMINAL SECTION



DOUBLE LEAF GATE

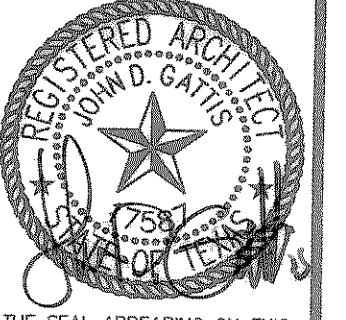


TYPICAL HOLDBACK

GENERAL NOTES

- ALL MATERIALS USED IN CONSTRUCTION OF THIS CHAIN LINK FENCE SHALL BE HOT DIP GALVANIZED AFTER FABRICATION.
- PERFORM FINISH GRADING BEFORE CONSTRUCTION OF FENCE. SET FENCE ACCURATELY TO GRADE.
- CROWN TOPS OF CONCRETE POST BASES TO SHED WATER. SMOOTH TROWEL FINISH.
- PRESERVE ALL PROPERTY CORNERS AND MONUMENTS. CORNERS AND MONUMENTS DISTURBED BY CONTRACTOR WILL BE REPLACED BY THE OWNER AT THE CONTRACTOR'S EXPENSE.

RECORD DRAWING  
(ALL REVISIONS ARE BASED UPON CITY AND CONTRACTOR NOTES AND COMMENTS)



SCALE: AS NOTED

IF SHEET IS IN 11"x17" FORMAT, DRAWINGS ARE AT 1/2" OF NOTED SCALE.

PROJECT No.: 02150  
DATE: JAN. 2005  
DESIGNED: FMI  
DRAWN: JDC  
CHECKED: JTM

SHEET  
**C2**  
TOTAL SHEETS: 35

CITY OF HEATH  
PUMP STATION NO. 1

SITE PLAN, DETAILS

Freeman-Mullican, Inc.  
ENGINEERS - ARCHITECTS - PLANNERS  
9500 FOREST LN., DALLAS, TX 75243-5055