

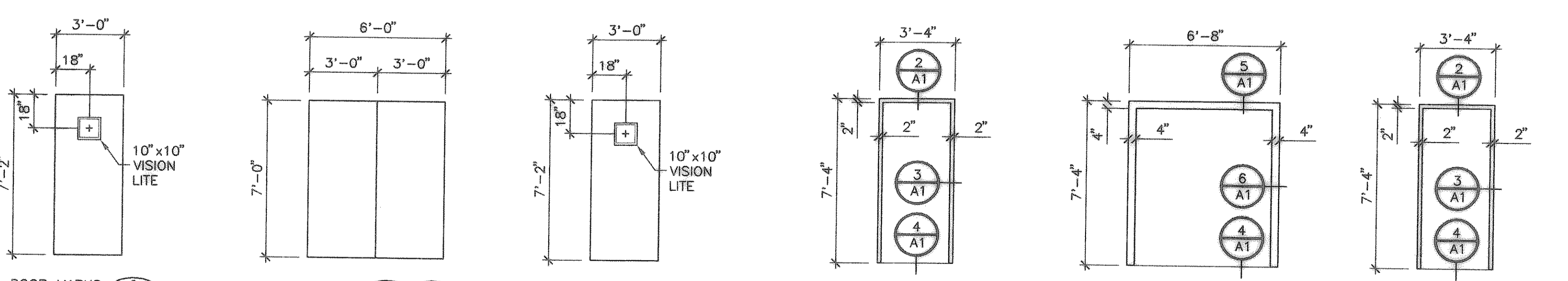
1 FLOOR PLAN
1/4"=1'-0"

FINISH NOTES

1. FINISH EXPOSED CONCRETE FLOOR SLAB PER FOUNDATION PLAN 1/S1.
2. FLOOR GRATING AND STRUCTURAL STEEL SUPPORTS SHALL BE HOT-DIP GALVANIZED AFTER FABRICATION.
3. ALL EXTERIOR WALLS SHALL BE INTEGRALLY COLORED CONCRETE MASONRY UNITS (CMU), AND SHALL NOT BE PAINTED ON THEIR EXTERIOR SURFACES. MORTAR USED AT EXTERIOR WALLS SHALL BE INTEGRALLY COLORED.
4. ALL EXTERIOR WOOD FASCIA, SOFFIT, AND TRIM SHALL BE PAINTED. PAINT ALL EXPOSED SURFACES OF FASCIA PRIOR TO INSTALLATION OF DRIP FLASHING.
5. DRIP FLASHING AT ROOF EDGES SHALL BE FACTORY FINISHED WITH KYNAR 500 PAINT SYSTEM.
6. ALL DOORS AND DOOR FRAMES SHALL BE PAINTED. PER SPECIFICATIONS, ALL FRP DOORS AND FRAMES SHALL RECEIVE FACTORY APPLIED, INTEGRALLY COLORED, GEL COAT FINISH. ADDITIONALLY, FRP DOORS AND FRAMES SHALL BE FIELD PAINTED TO MATCH COLOR OF HOLLOW METAL DOORS. AT OWNER'S OPTION, THE FIELD PAINTING OF FRP DOORS AND FRAMES MAY BE DELETED.
7. ALL LOUVERS EXCEPT BRICK VENTS SHALL BE FACTORY FINISHED WITH KYNAR 500 PAINT SYSTEM.
8. ALL INTERIOR CMU WALL SURFACES SHALL BE PAINTED.
9. ALL INTERIOR WOOD CEILINGS, TRIM, AND ACCESS HATCH PANELS SHALL BE PAINTED.
10. SEE SPECIFICATIONS FOR PAINTING AND MARKING OF EXPOSED PIPE, CONDUIT, PUMPS, AND OTHER MECHANICAL ITEMS.
11. ALL COLOR SELECTIONS SHALL BE MADE BY ENGINEER.
12. SEE SPECIFICATIONS FOR PAINT SYSTEMS TO BE APPLIED TO VARIOUS SURFACES AND COMPONENTS.

LEGEND

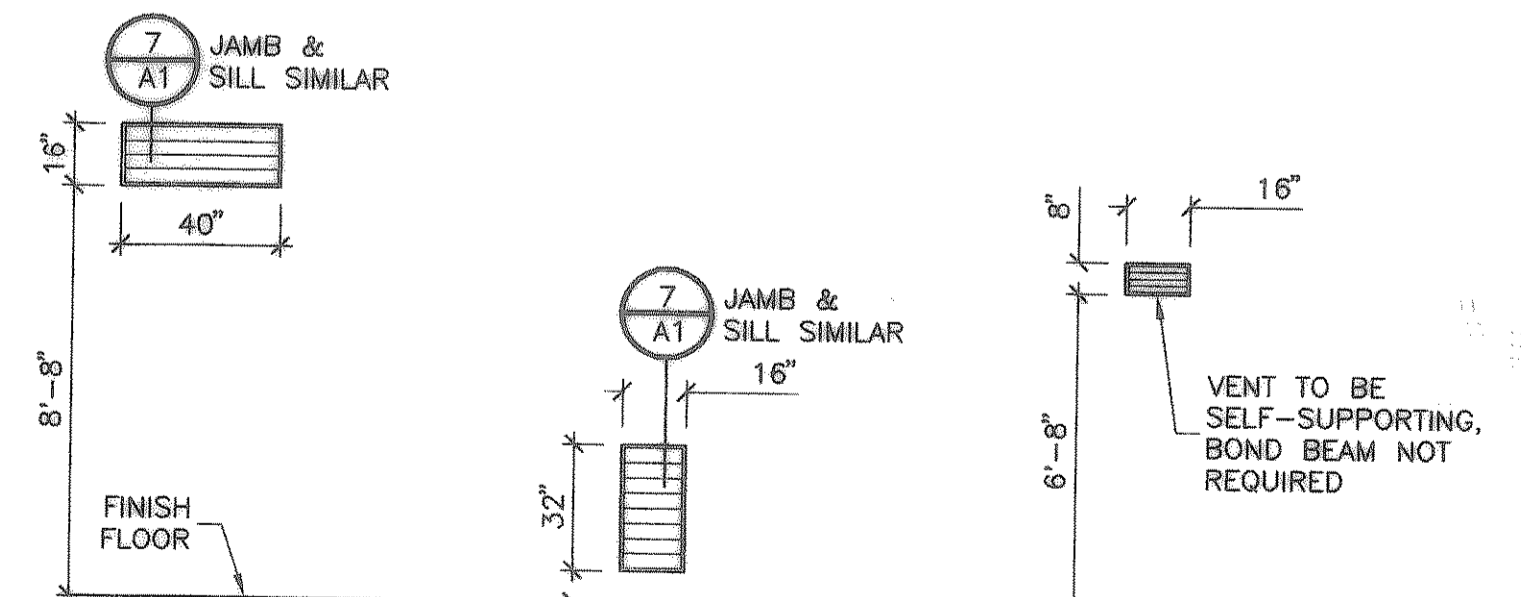
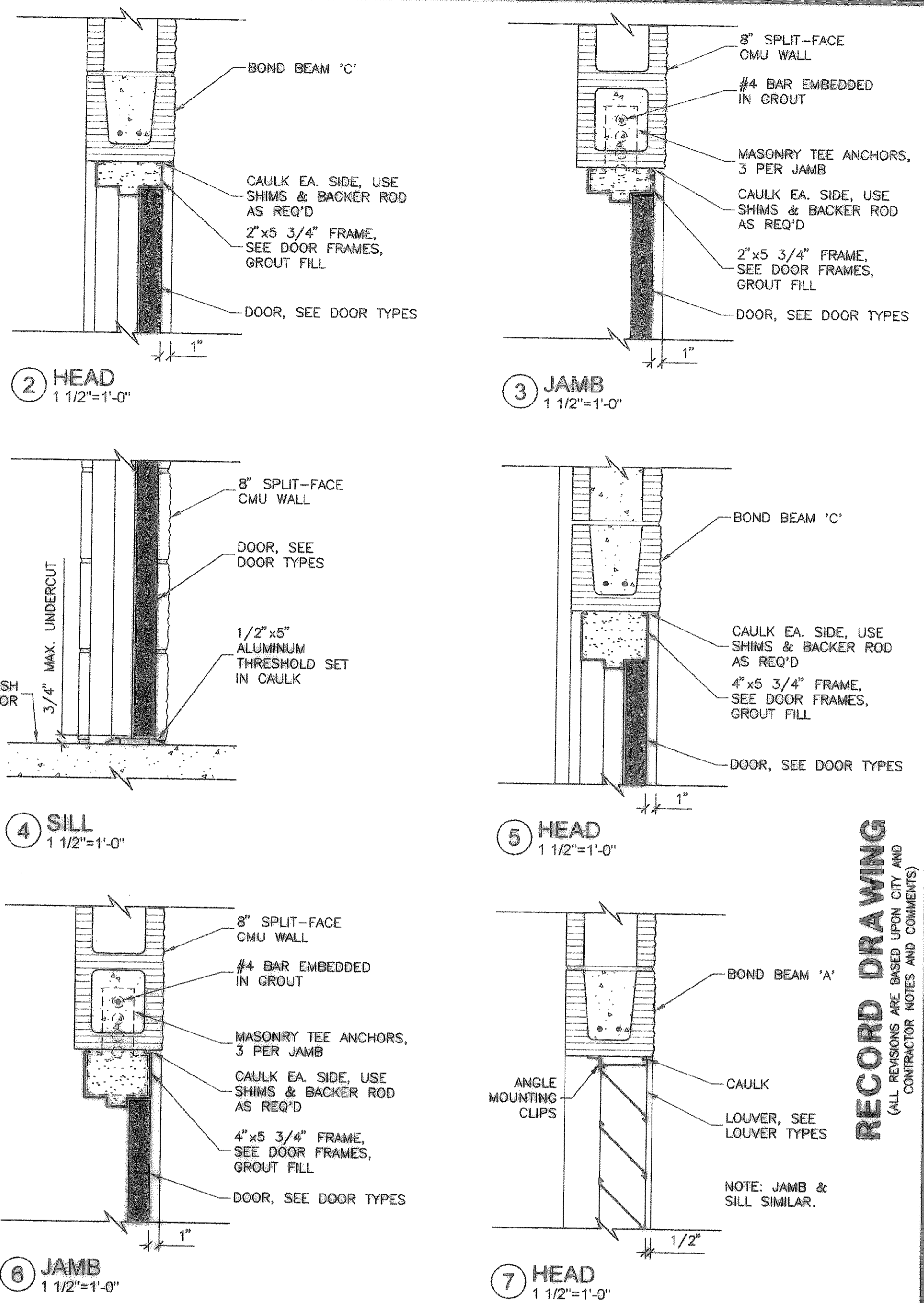
- 8" CMU WALL
- GROUT FILLED CMU CELLS w/ #4 VERTICAL REBAR
- ELEV# 4/A2 ELEVATION REFERENCE
- ROOM NUMBER
- G3 LOUVER MARK
- 6 DOOR MARK
- 6 S2 DETAIL OR SECTION REFERENCE



DOOR TYPES
 DOOR MARKS: 2, 1, 5, 3, 4
 PAINTED HOLLOW METAL DOOR 10"x10" VISION LITE
 PAINTED HOLLOW METAL DOOR PAIR OVERLAPPING STEEL ASTRAGAL
 PAINTED FIBERGLASS REINFORCED PLASTIC DOOR 10"x10" VISION LITE
 PAINTED HOLLOW METAL DOOR FRAME HEAD: 2" X 5 3/4" JAMBS: 2" X 5 3/4"
 PAINTED HOLLOW METAL DOOR FRAME HEAD: 4" X 5 3/4" JAMBS: 4" X 5 3/4"
 PAINTED FIBERGLASS REINFORCED PLASTIC DOOR FRAME HEAD: 2" X 5 3/4" JAMBS: 2" X 5 3/4"

DOOR HARDWARE

- | SET# | DESCRIPTION |
|------|---|
| 1. | 1 1/2~PAIR BUTTS, ENTRANCE LOCKSET w/ LEVER HANDLES, CLOSER, HOLDER, WEATHERSTRIPPING, SWEEP, THRESHOLD. |
| 2. | 3~PAIR BUTTS, ENTRANCE LOCKSET w/ LEVER HANDLES, 2~SURFACE BOLTS (INACTIVE LEAF), 2~BUMMIE LEVERS (INACTIVE LEAF), 2~CLOSERS, 2~HOLDERS, WEATHERSTRIPPING, 2~SWEEPS, THRESHOLD. |
| 3. | 1 1/2~PAIR BUTTS, RIM TYPE EXIT DEVICE w/ KEYED LOCK & LEVER HANDLE, CLOSER, HOLDER, WEATHERSTRIPPING, SWEEP, THRESHOLD. |



LOUVERS
 LOUVER MARK: F1, G3, G4
 ALUMINUM LOUVER KYNAR 500 FINISH R.O.: 40"x16" MASONRY OPERATION: SEE SPEC'S
 LOUVER MARK: G1, G2
 ALUMINUM LOUVER KYNAR 500 FINISH R.O.: 16"x32" MASONRY OPERATION: SEE SPEC'S
 LOUVER MARK: B1
 BRICK VENT CLEAR ANOD. ALUM. FINISH R.O.: 16"x8" MASONRY OPERATION: SEE SPEC'S

NO.	DATE	REVISION	BY

**CITY OF HEATH
PUMP STATION NO. 1
PUMP HOUSE PLAN, DETAILS**

RECORD DRAWING
(ALL REVISIONS ARE BASED UPON CITY AND CONTRACTOR NOTES AND COMMENTS)

REGISTERED ARCHITECT
JOHN D. GATIS, A.I.A.
THE SEAL APPEARING ON THIS DOCUMENT WAS AUTHORIZED BY JOHN D. GATIS, A.I.A. ON 01.19.2005.

SCALE: AS NOTED

IF SHEET IS IN 11"x17" FORMAT, DRAWINGS ARE AT 1/2" OF NOTED SCALE.

PROJECT No.: 02150
DATE: JAN. 2005
DESIGNED: JDC
DRAWN: FMI
CHECKED: JDC

SHEET
A1
TOTAL SHEETS: 35

FREEMAN-MILLICAN, INC.
ENGINEERS - ARCHITECTS - PLANNERS
9800 FOREST LN. DALLAS, TX. 214.503.0555