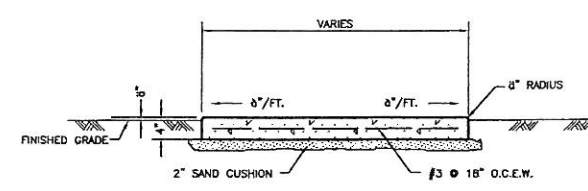
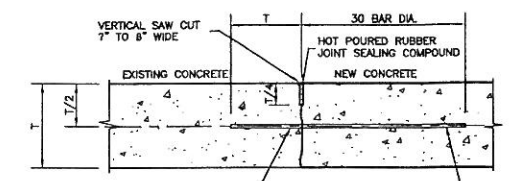


① EXISTING SIDEWALK REPAIR LIMITS DETAIL
NO SCALE

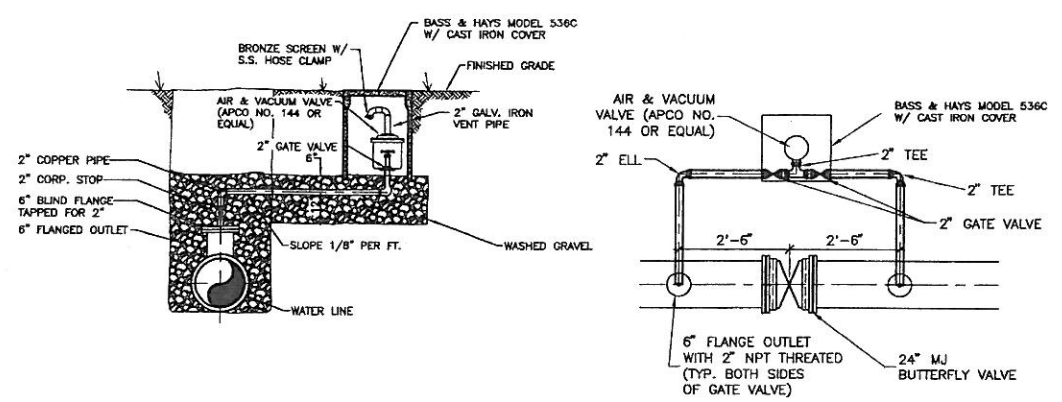


② SIDEWALK DETAIL
NO SCALE

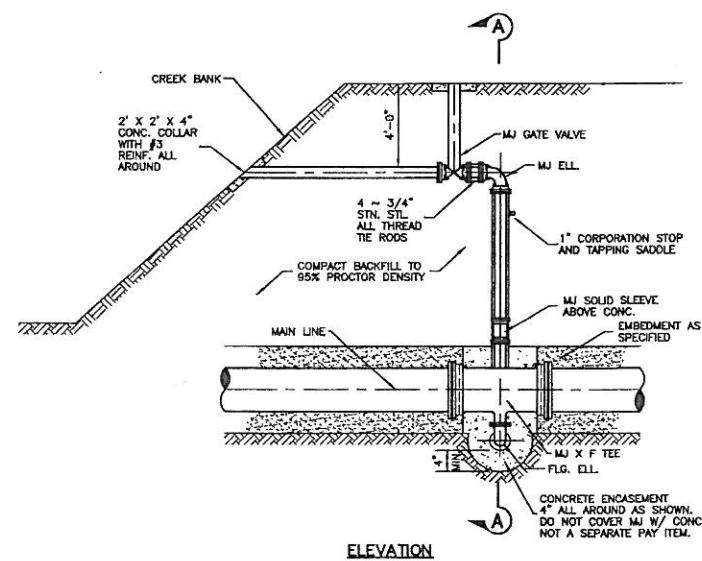


③ CONNECTION TO EXISTING CONCRETE PAVING DETAIL
NO SCALE

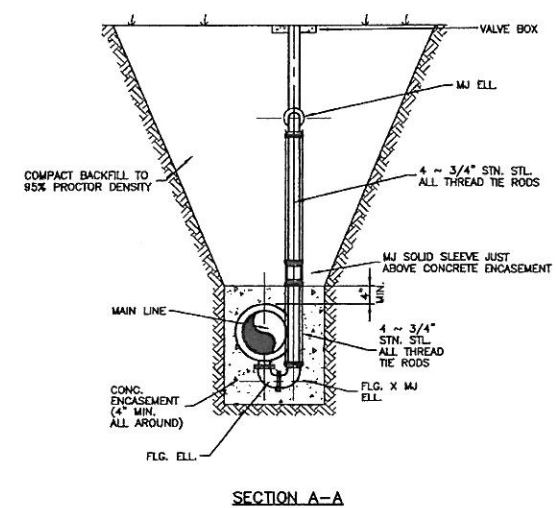
T	BAR
6" AND LESS	#3
7-8"	#4
9-10"	#5
10-12"	#6



④ COMBINATION AIR RELEASE VALVE DETAIL
NO SCALE



⑤ BLOWOFF DETAIL
SCALE: 1/4" = 1'-0"



RECORD DRAWING
(ALL REVISIONS ARE BASED UPON CITY AND CONTRACTOR NOTES AND COMMENTS)

NO.	DATE	REVISION	BY	A.C.
1	2/27/04	ADDENDUM NO. 1		

FREEMAN-MILLICAN, Inc.
ENGINEERS - ARCHITECTS - PLANNERS
9600 FOREST LN. DALLAS, TX 75243-5555

CITY OF HEATH
24" WATER TRANSMISSION LINE
DETAILS



THE SEAL APPEARING ON THIS DOCUMENT WAS AUTHORIZED BY DAMIR LULO, P.E. NO. 90370 ON 1/15/04

SCALE: AS NOTED
IF SHEET IS IN 11"X17" FORMAT, DRAWINGS ARE AT 1/2 OF NOTED SCALE.

PROJECT No.: 02150
DATE: JAN 2004
DESIGNED: DL
DRAWN: FMI
CHECKED: JTM

SHEET
D2
TOTAL SHEETS: 27