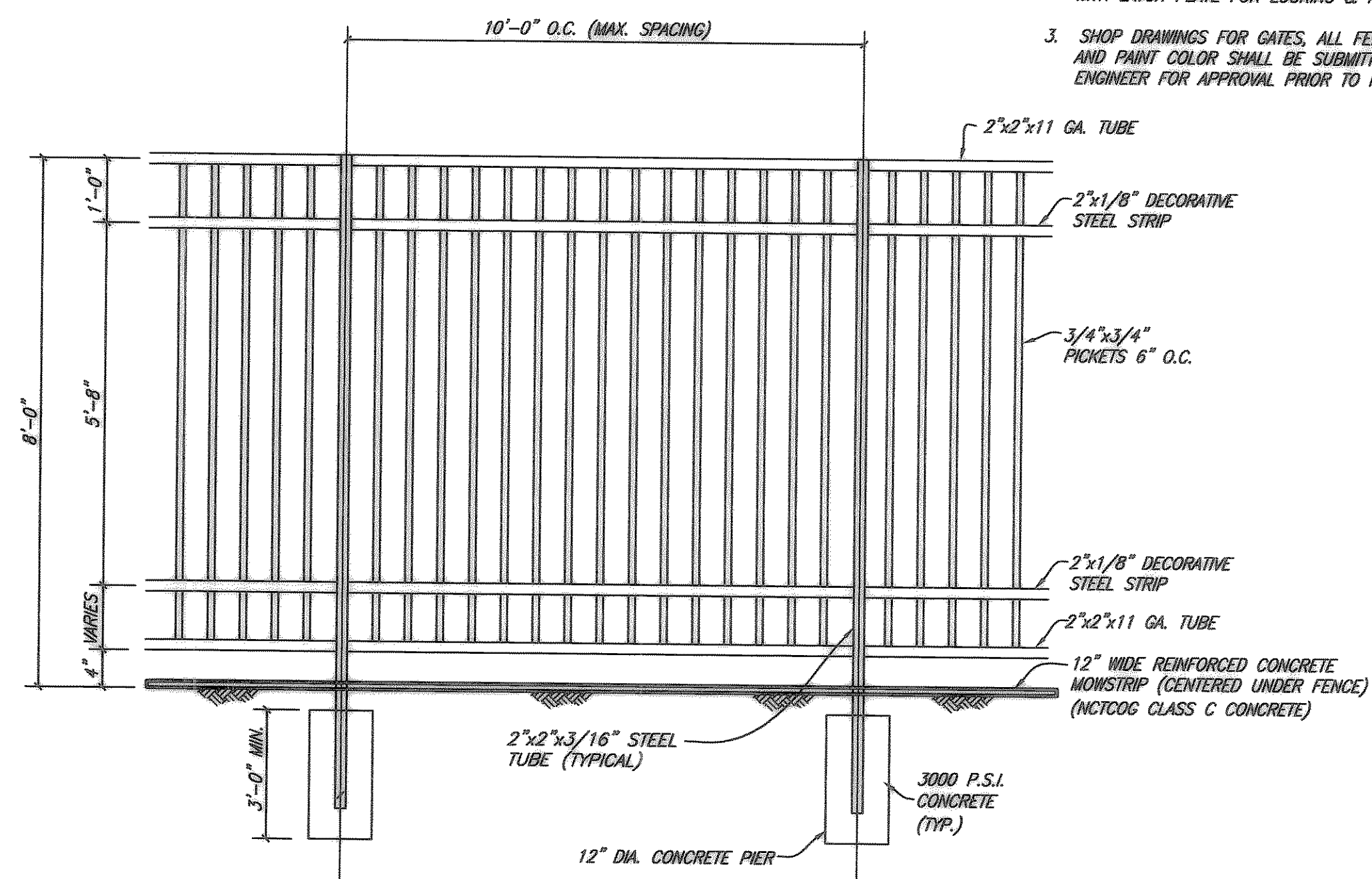
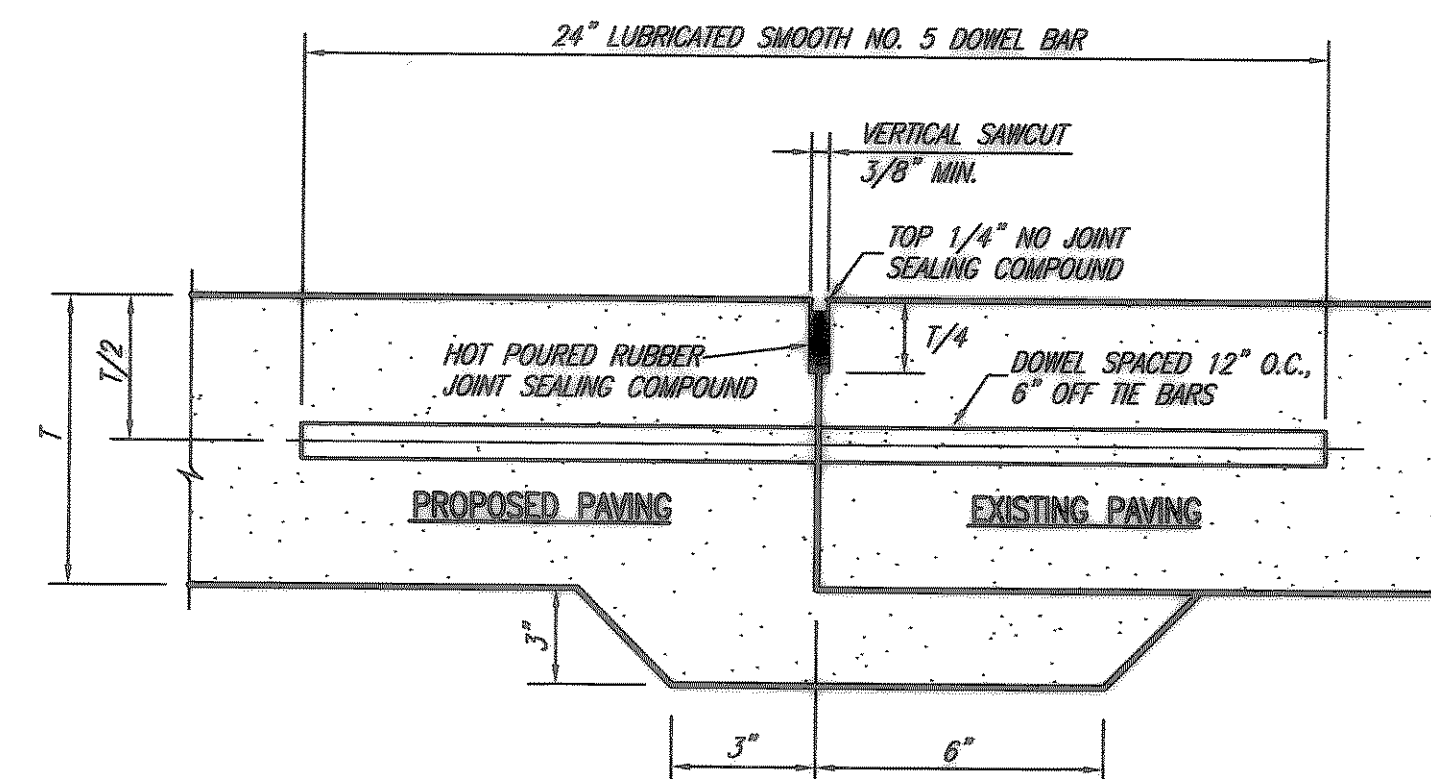


- FENCE NOTES:
1. FENCE SHALL BE MADE OF WELDED STEEL.
  2. WELDED STEEL GATES SHALL BE DOUBLE 6 FOOT WIDE, MANUAL SWING OPENING GATES WITH LATCH PLATE FOR LOCKING & PADLOCK.
  3. SHOP DRAWINGS FOR GATES, ALL FENCING AND PAINT COLOR SHALL BE SUBMITTED TO ENGINEER FOR APPROVAL PRIOR TO FABRICATION.



**WELDED STEEL FENCE ELEVATION**

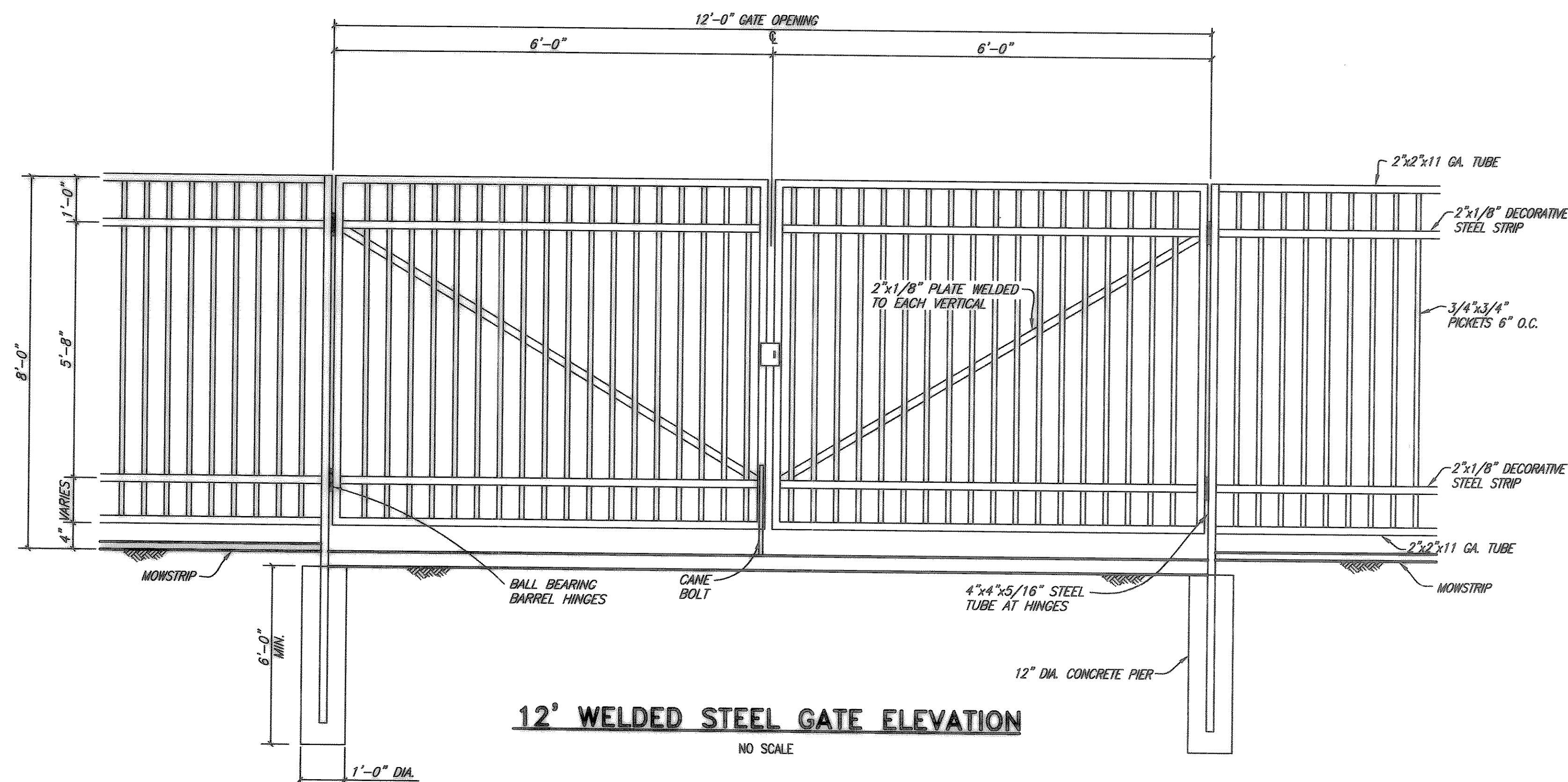
NO SCALE



NOTE: DOWEL BARS SHALL BE DRILLED INTO PAVEMENT HORIZONTALLY BY USE OF A MECHANICAL RIG. DRILLING BY HAND IS NOT ACCEPTABLE. PUSHING DOWEL BARS INTO GREEN CONCRETE IS NOT ACCEPTABLE.

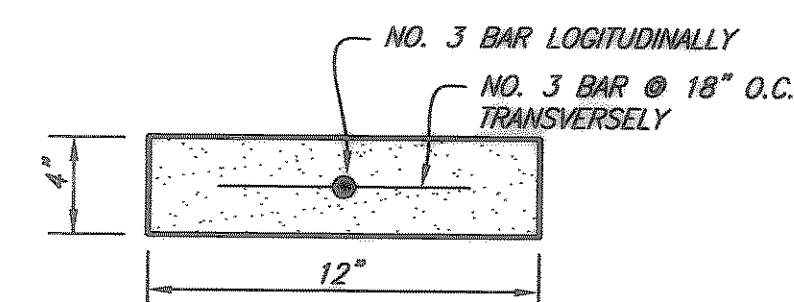
**LONGITUDINAL DOWELLED JOINT**

NOT TO SCALE



**12' WELDED STEEL GATE ELEVATION**

NO SCALE



**MOWSTRIP SECTION**

NOT TO SCALE

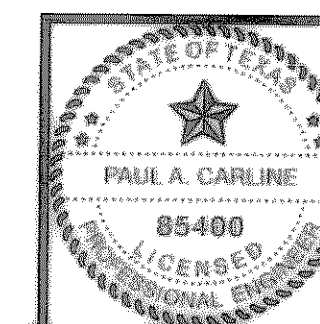
This record drawing is a compilation of the sealed engineering drawing for this project; modified by addenda, change orders and information furnished by the contractor. The information shown on the record drawings that was provided by the contractor or others not associated with the design engineer cannot be verified for accuracy or completeness. This original sealed drawings are on file at the offices of Birkhoff, Hendricks & Conway, L.L.P.

BY PAC DATE 1/17/07

These plans and related specifications were prepared for construction of this specific project only. Reuse of these documents is not permitted without written authorization of Birkhoff, Hendricks & Conway, L.L.P.

THESE DOCUMENTS ARE FOR BIDDING, CONSTRUCTION, AND PERMIT PURPOSES.

DATE: 4/19/06



**CITY OF ROCKWALL, TEXAS**

**CHANDLERS MARINA LIFT STATION REHABILITATION**

**DETAILS**

**BIRKHOFF, HENDRICKS & CONWAY, L.L.P.**  
CONSULTING ENGINEERS  
Dallas, Texas

PROJECT ENGINEER: PAC	PROJECT: 2004105	SHEET NO. 4
PROJECT TECHNICIAN: JUL	DATE: APRIL 2006	