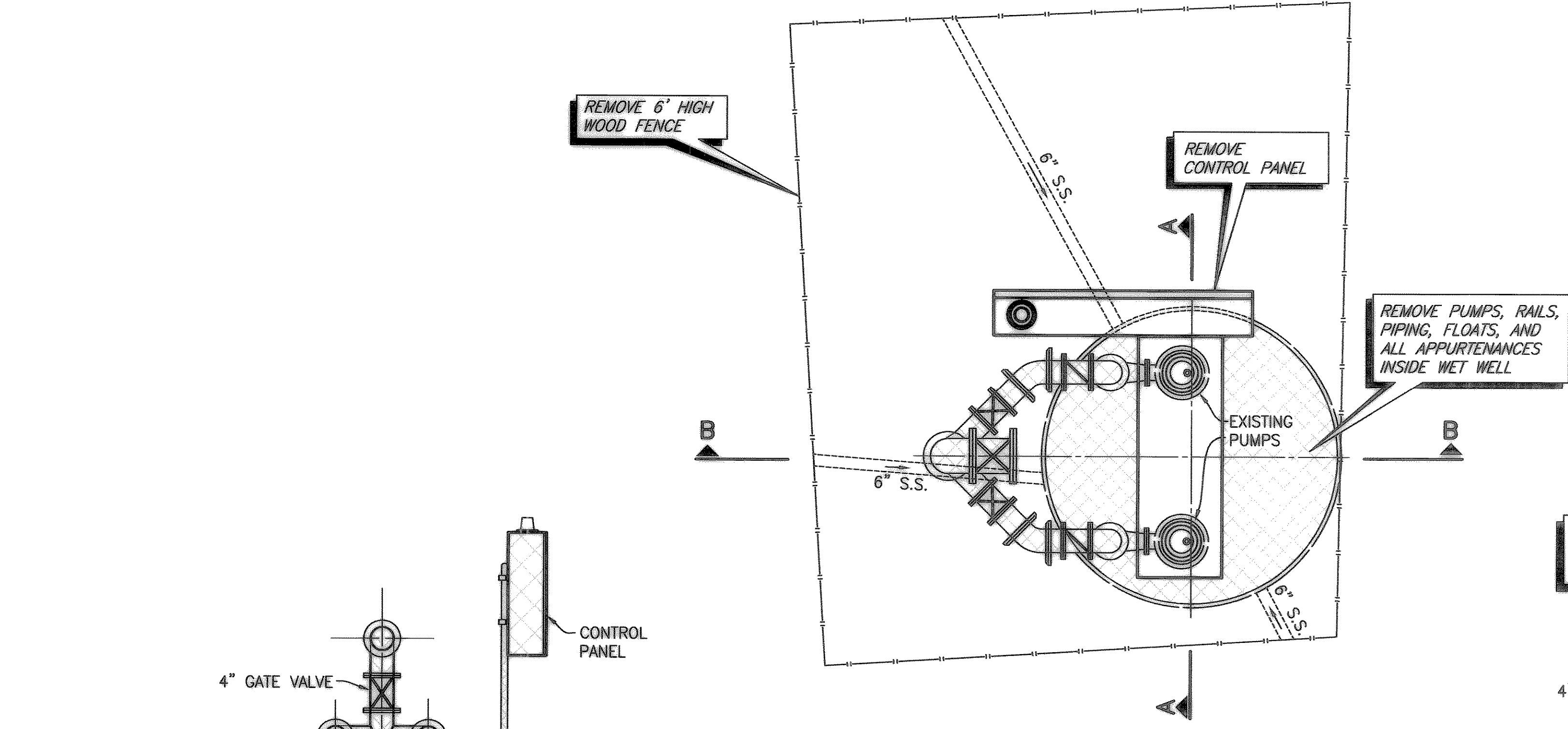


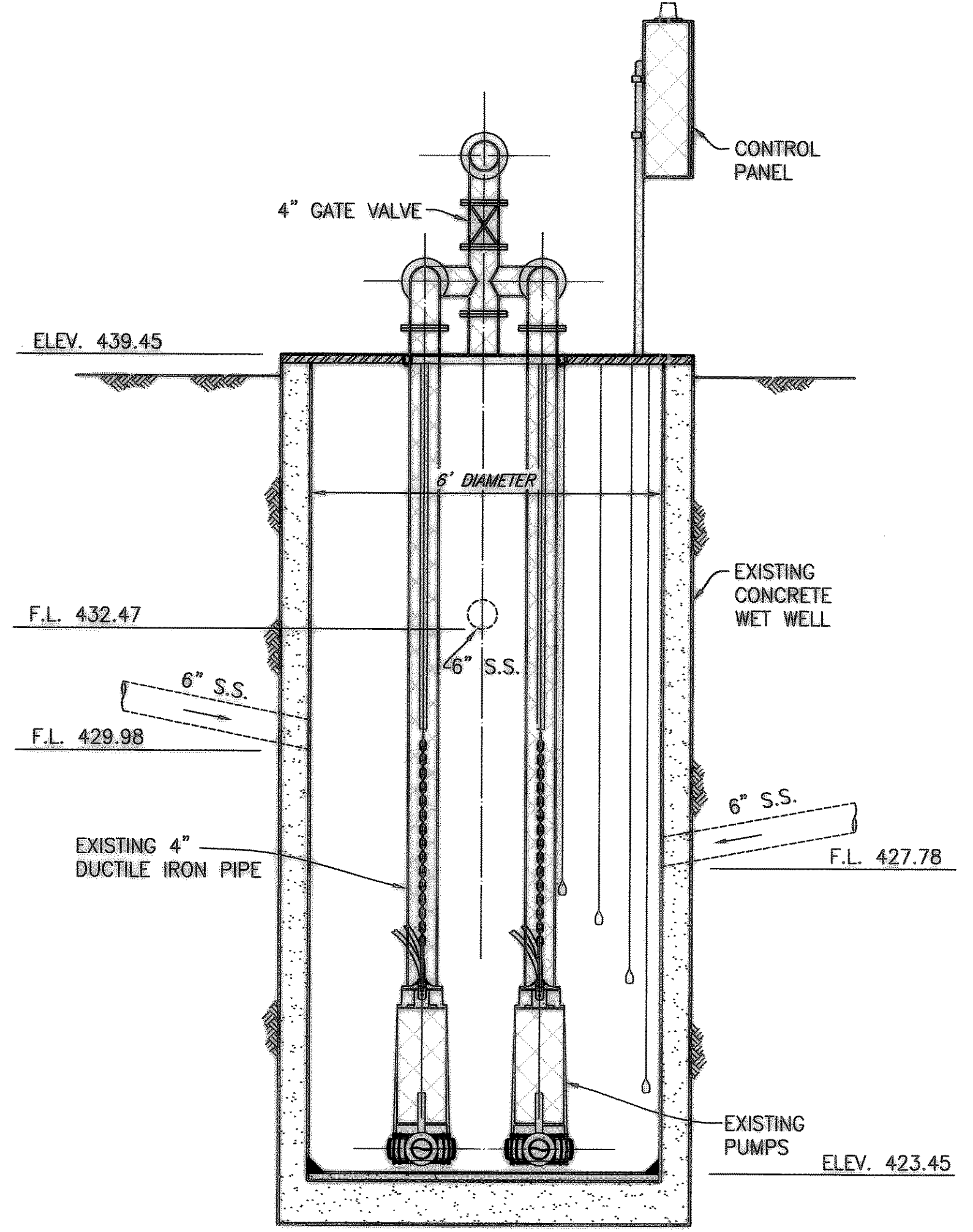
REVISIONS: 1/18/07 - MOLDHAM  
 H:\Projects\Rockwall\2006101\Sheets\2006101-02-Existing LS.dwg  
 PLOT SCALE: 1:2.5849  
 PLOT STYLE:   
 PLOTTED BY: MOLDHAM ON 1/18/2007

**GENERAL NOTES**

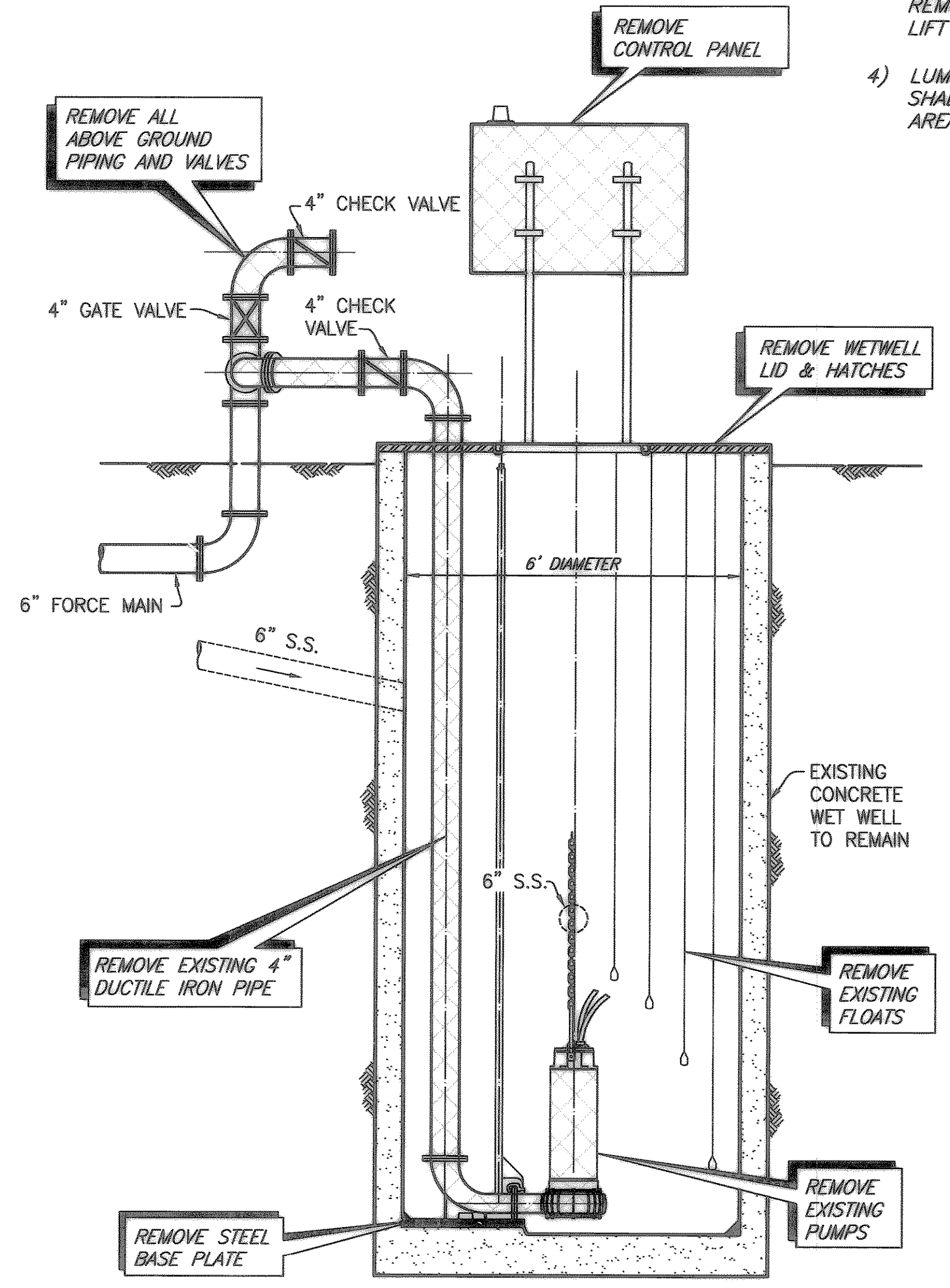
- 1) CONTRACTOR SHALL FURNISH, INSTALL, AND OPERATE TEMPORARY BYPASS EQUIPMENT TO PROHIBIT FLOWS TO THE LIFT STATION DURING DEMOLITION AND REHABILITATION (PAYMENT SUBSIDIARY TO LIFT STATION DEMOLITION). DEMOLITION AND REHABILITATION SHALL BE COMPLETE WITHIN 4 CONSECUTIVE CALENDAR DAYS.
- 2) ALL REMOVED COMPONENTS OF THE LIFT STATION SHALL BE REVIEWED BY THE CITY OF ROCKWALL PRIOR TO DISPOSAL. ANY COMPONENTS DEEMED SALVAGEABLE BY THE CITY OF ROCKWALL SHALL BE DELIVERED TO THE ROCKWALL SERVICE CENTER LOCATED ON AIRPORT ROAD (PAYMENT SUBSIDIARY TO LIFT STATION DEMOLITION).
- 3) ALL APPURTENANCES, ANCHORS, ETC. SHALL BE REMOVED PRIOR TO CLEANING WETWELL AND NEW LIFT STATION INSTALLATION.
- 4) LUMP SUM BID ITEM FOR LIFT STATION DEMOLITION SHALL INCLUDE ALL WORK SHOWN INSIDE FENCED AREA, INCLUDING FENCE.



**EXISTING LIFT STATION PLAN**  
NO SCALE



**EXISTING LIFT STATION SECTION A-A**  
NO SCALE

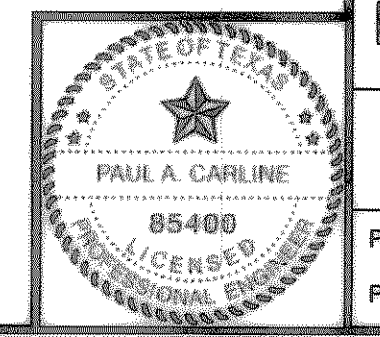


**EXISTING LIFT STATION SECTION B-B**  
NO SCALE

**LEGEND**  
 REMOVE

*This record drawing is a compilation of the sealed engineering drawing for this project; modified by addenda, change orders and information furnished by the contractor. The information shown on the record drawings that was provided by the contractor or others not associated with the design engineer cannot be verified for accuracy or completeness. This original sealed drawings are on file at the offices of Birkhoff, Hendricks & Conway, L.L.P.*  
 BY PAC DATE 1/17/07

THESE DOCUMENTS ARE FOR BIDDING, CONSTRUCTION, AND PERMIT PURPOSES.  
 DATE: 4/19/06



<b>CITY OF ROCKWALL, TEXAS</b>		
<b>CHANDLERS MARINA LIFT STATION REHABILITATION</b>		
<b>EXISTING LIFT STATION DEMOLITION PLAN</b>		
<b>BIRKHOFF, HENDRICKS &amp; CONWAY, L.L.P.</b> CONSULTING ENGINEERS Dallas, Texas		
PROJECT ENGINEER: <u>PAC</u>	PROJECT: <u>2006101</u>	SHEET NO. <u>2</u>
PROJECT TECHNICIAN: <u>JUL</u>	DATE: <u>APRIL 2006</u>	

These plans and related specifications were prepared for construction of this specific project only. Reuse of these documents is not permitted without written authorization of Birkhoff, Hendricks & Conway, L.L.P.