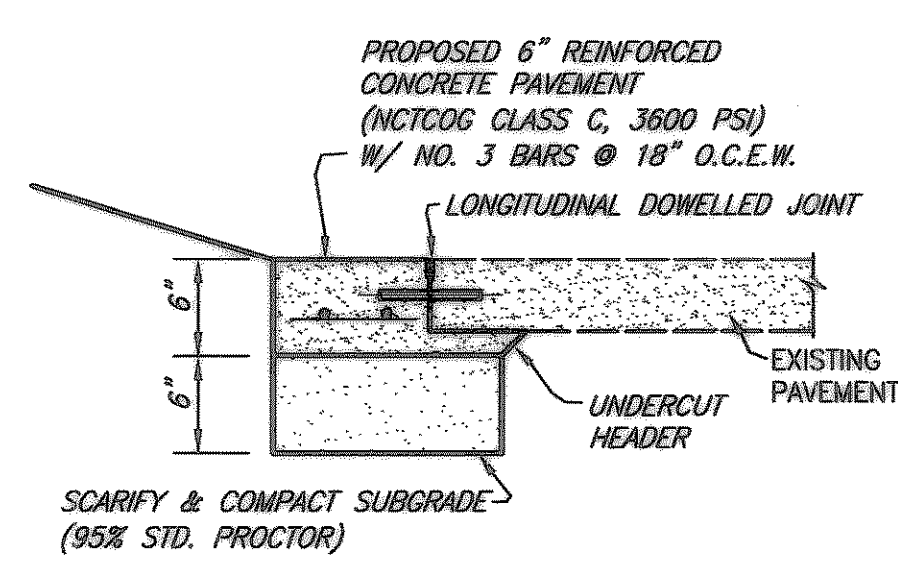
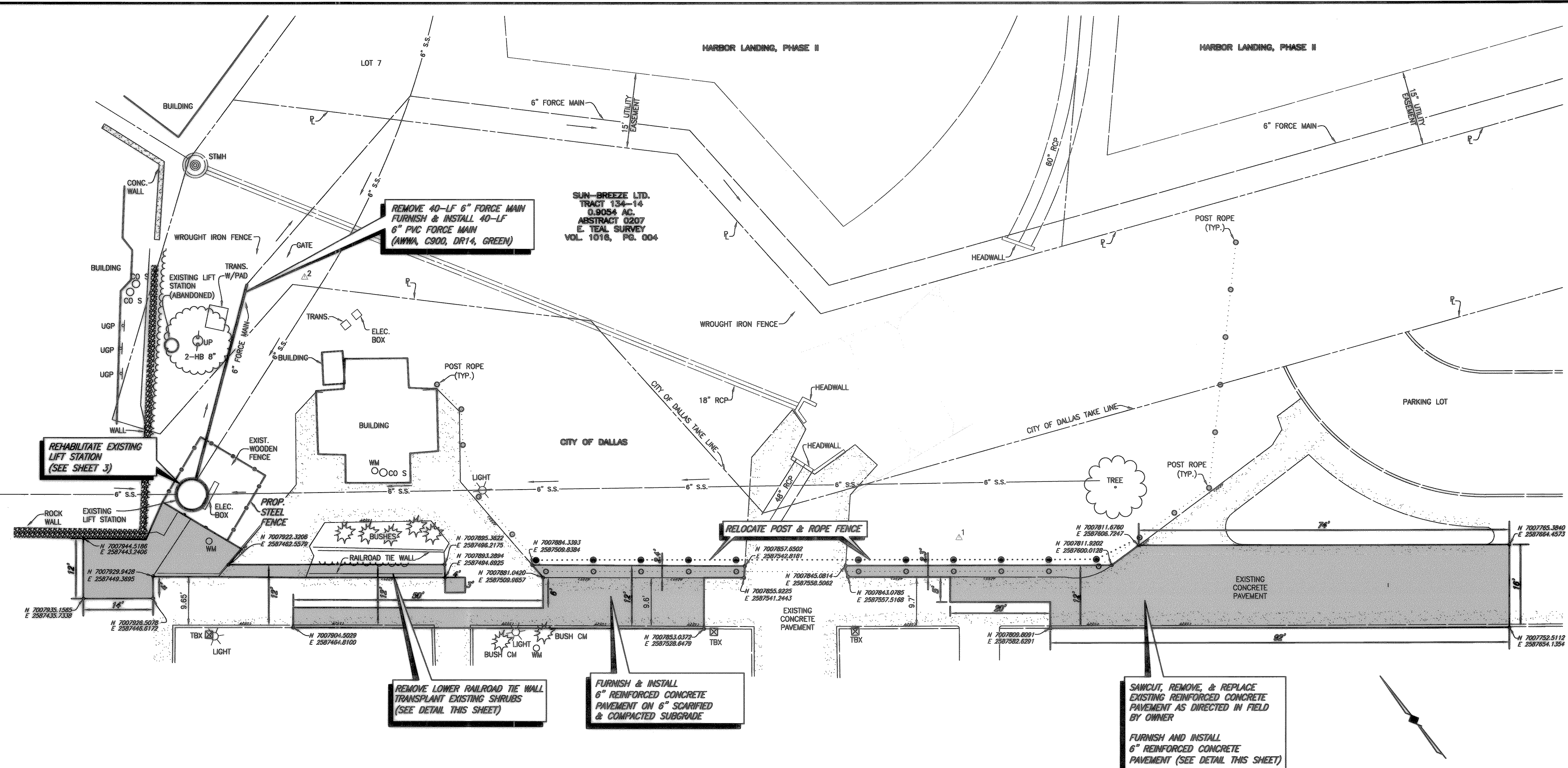
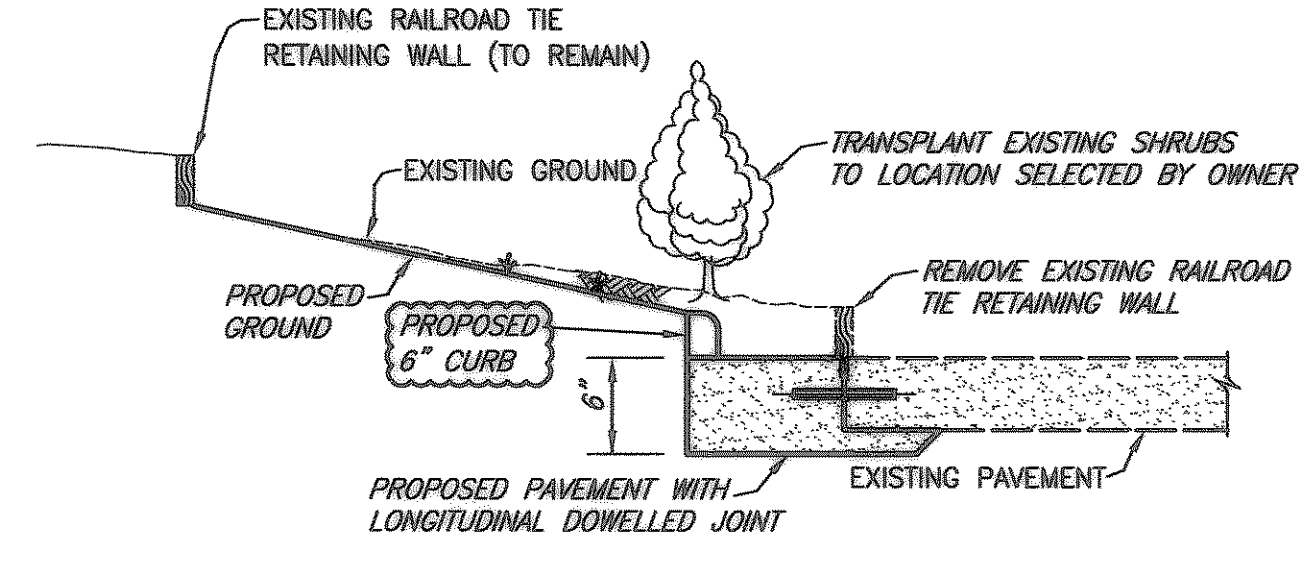


REVISID: 1/18/07 - MOLDHAM
 H:\Projects\Rockwall\2006\01\Sheets\2006\01-01-Site Plan.dwg
 PLOT SCALE: 1:10
 PLOT STYLE: 22x34.ctb
 PLOTTED BY: MOLDHAM ON 1/18/2007



TYPICAL PAVEMENT SECTION
 NOT TO SCALE

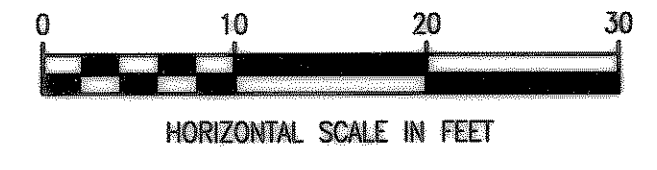
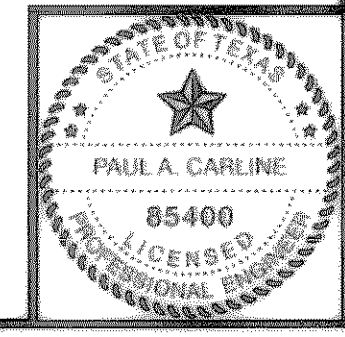


RAILROAD TIE WALL SECTION WITH PROPOSED PAVEMENT
 NOT TO SCALE

This record drawing is a compilation of the sealed engineering drawing for this project; modified by addenda, change orders and information furnished by the contractor. The information shown on the record drawings that was provided by the contractor or others not associated with the design engineer cannot be verified for accuracy or completeness. This original sealed drawings are on file at the offices of Birkhoff, Hendricks & Conway, L.L.P.
 BY PAC DATE 1/17/07

	COORDINATES	ELEVATION
1	N 7007835.2810, E 2587579.6810	EL. 439.080
2	N 7007957.3740, E 2587510.1118	EL. 443.576

THESE DOCUMENTS ARE FOR BIDDING, CONSTRUCTION, AND PERMIT PURPOSES.
 DATE: 4/19/06



These plans and related specifications were prepared for construction of this specific project only. Reuse of these documents is not permitted without written authorization of Birkhoff, Hendricks & Conway, L.L.P.

CITY OF ROCKWALL, TEXAS

CHANDLERS MARINA LIFT STATION REHABILITATION

SITE PLAN

BIRKHOFF, HENDRICKS & CONWAY, L.L.P.
 CONSULTING ENGINEERS
 Dallas, Texas

PROJECT ENGINEER: PAC	PROJECT: 2006101	SHEET NO. 1
PROJECT TECHNICIAN: JJJ	DATE: APRIL 2006	