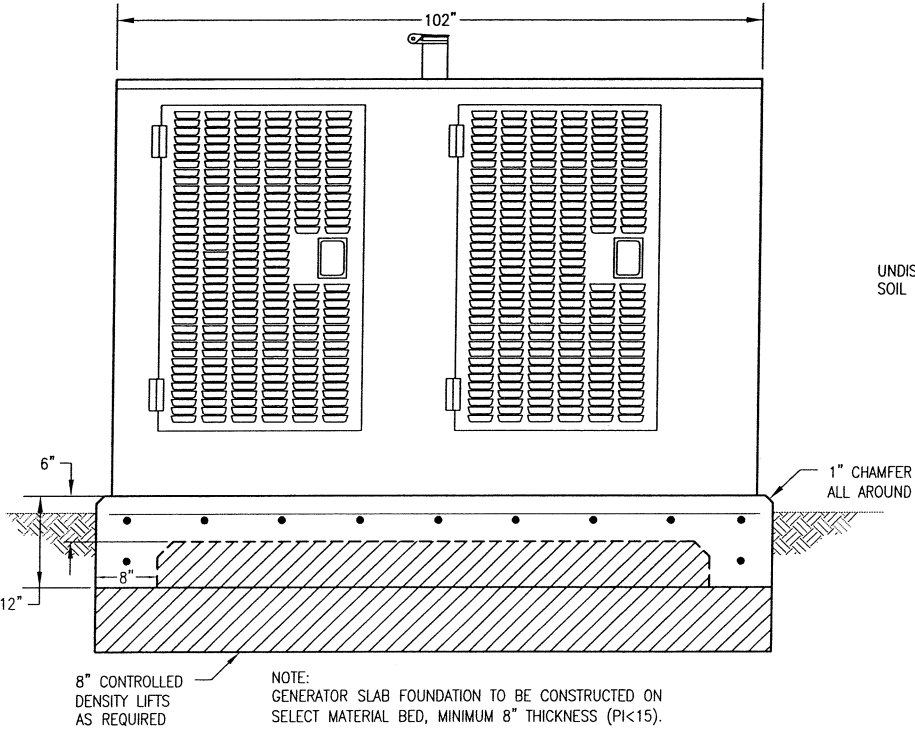
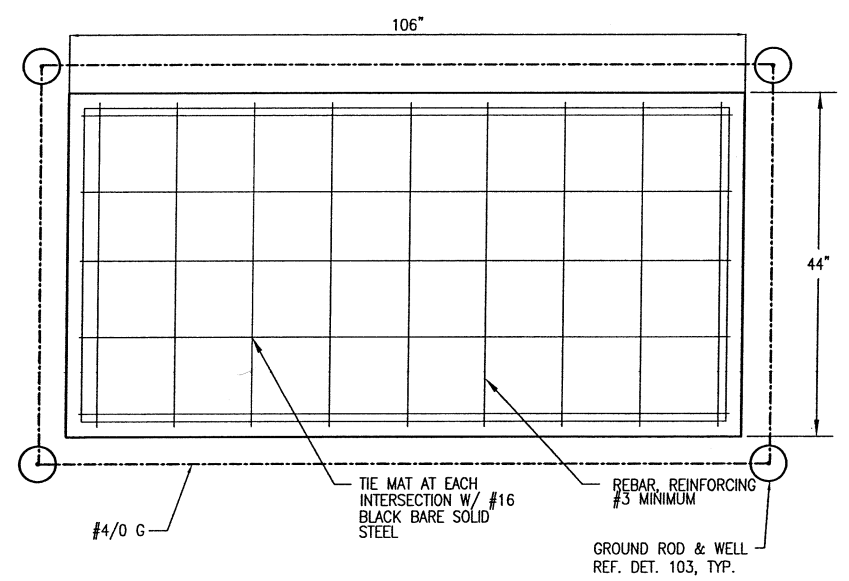


These plans and related specifications were prepared for construction of this specific project only. Reuse of these documents is not permitted without written authorization of Birkhoff, Hendricks, & Carter, L.L.P.

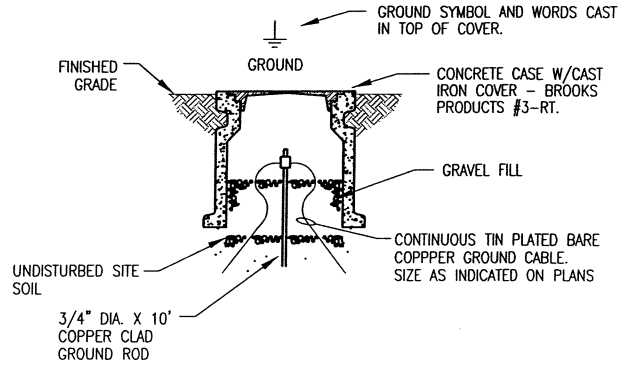


201 DETAIL - GENERATOR
NOT TO SCALE

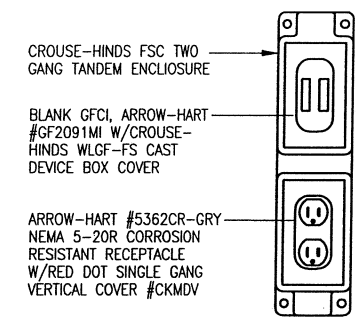


- NOTES:
1. CONCRETE SHALL BE 3000 PSI @ 28 DAYS.
 2. REINFORCEMENT SPACING: 10" CENTERS

202 DETAIL - GENERATOR CONCRETE PAD
NOT TO SCALE

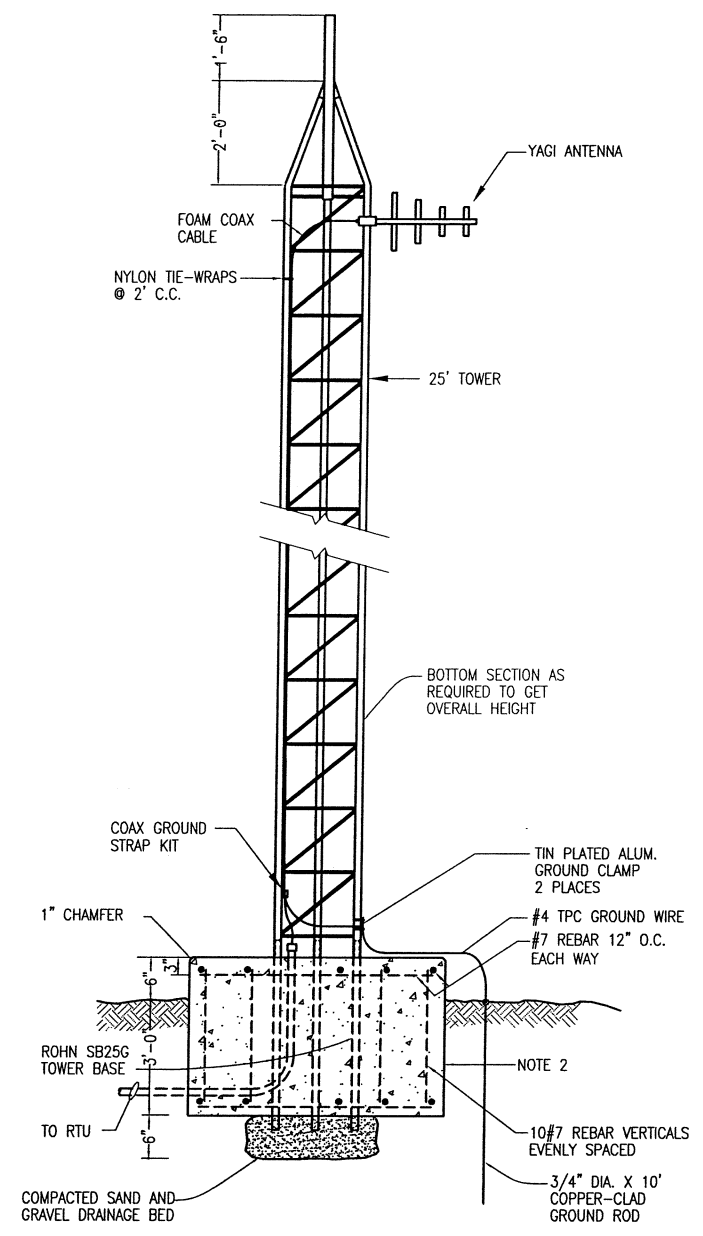


203 GROUND ROD & WELL
NOT TO SCALE



- NOTES:
1. DOORS SHOWN HELD OPEN.
 2. ATTACH TO WALL WITH 1/4" # 304 STN. STL. BOLT INTO D.E.S.
 3. COVERS SHALL BE SUITABLE FOR WET LOCATIONS & SHALL BE GASKETED.
 4. COVER WITH PLUG CAP INSERTED SHALL CARRY UL WET-OR-DAMP LOCATION LISTING.
 5. PROVIDE ONE ASSEMBLY FOR EACH WP/GFCI LOCATION.

204 TYPICAL WP/GFCI DEVICE
NOT TO SCALE



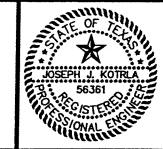
- NOTES:
1. ALL CONDUIT BENDS SHALL BE 24" RADIUS.
 2. ANTENNA BASE SHALL BE CLASS A 3000 PSI, CONCRETE AND CONSTRUCTED AS SHOWN AS A MINIMUM. SEE TABLE FOR DIMENSION.

205 ANTENNA DETAIL
NOT TO SCALE

This record drawing is a compilation of the sealed engineering drawing for this project, modified by addenda, change orders and information furnished by the contractor. The information shown on the record drawings that was provided by the contractor or others not associated with the design engineer cannot be verified for accuracy or completeness. This original sealed drawing is on file at the offices of Birkhoff, Hendricks & Carter, L.L.P.
BY PAC DATE 11/30/12

(E5)

BIRKHOFF, HENDRICKS & CARTER, L.L.P.
PROFESSIONAL ENGINEERS
Texas Firm F526
11910 Greenville Ave., Suite 600
Dallas, Texas 75243 (214) 361-7900



THESE DOCUMENTS ARE FOR BIDDING, CONSTRUCTION, AND PERMIT PURPOSES.
Joseph J. Kotrla
DATE: 6-14-2011
McCREARY & ASSOCIATES, INC.
Consulting Engineers
Dallas, Texas FIRM No. F-338

CITY OF ROCKWALL, TEXAS
CHANDLERS DEEP LIFT STATION IMPROVEMENTS
ELECTRICAL
DETAILS
SHEET II

BHC
PROJECT NO.
2009-115
JUNE 2011
SHEET NO.
10