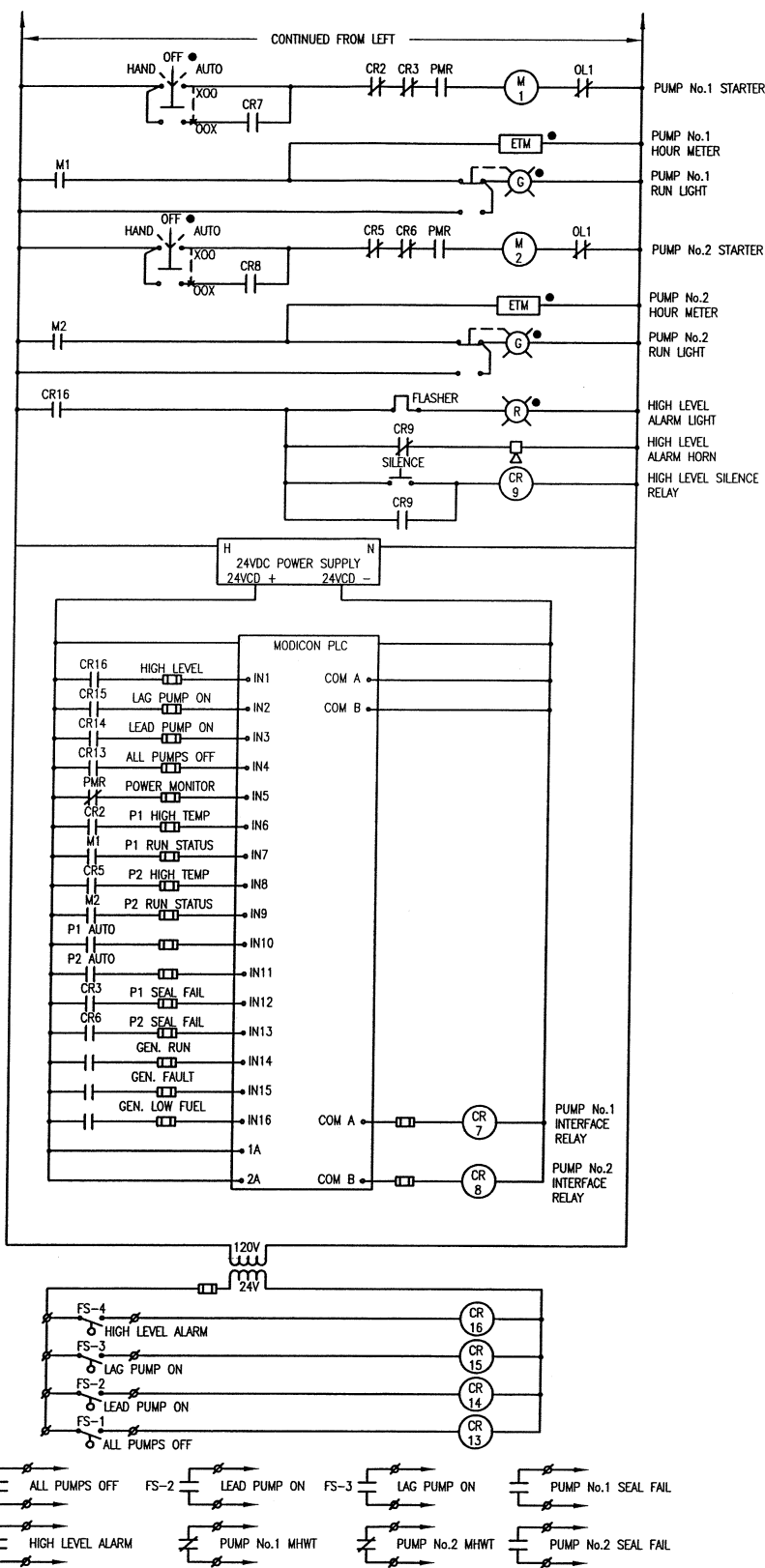
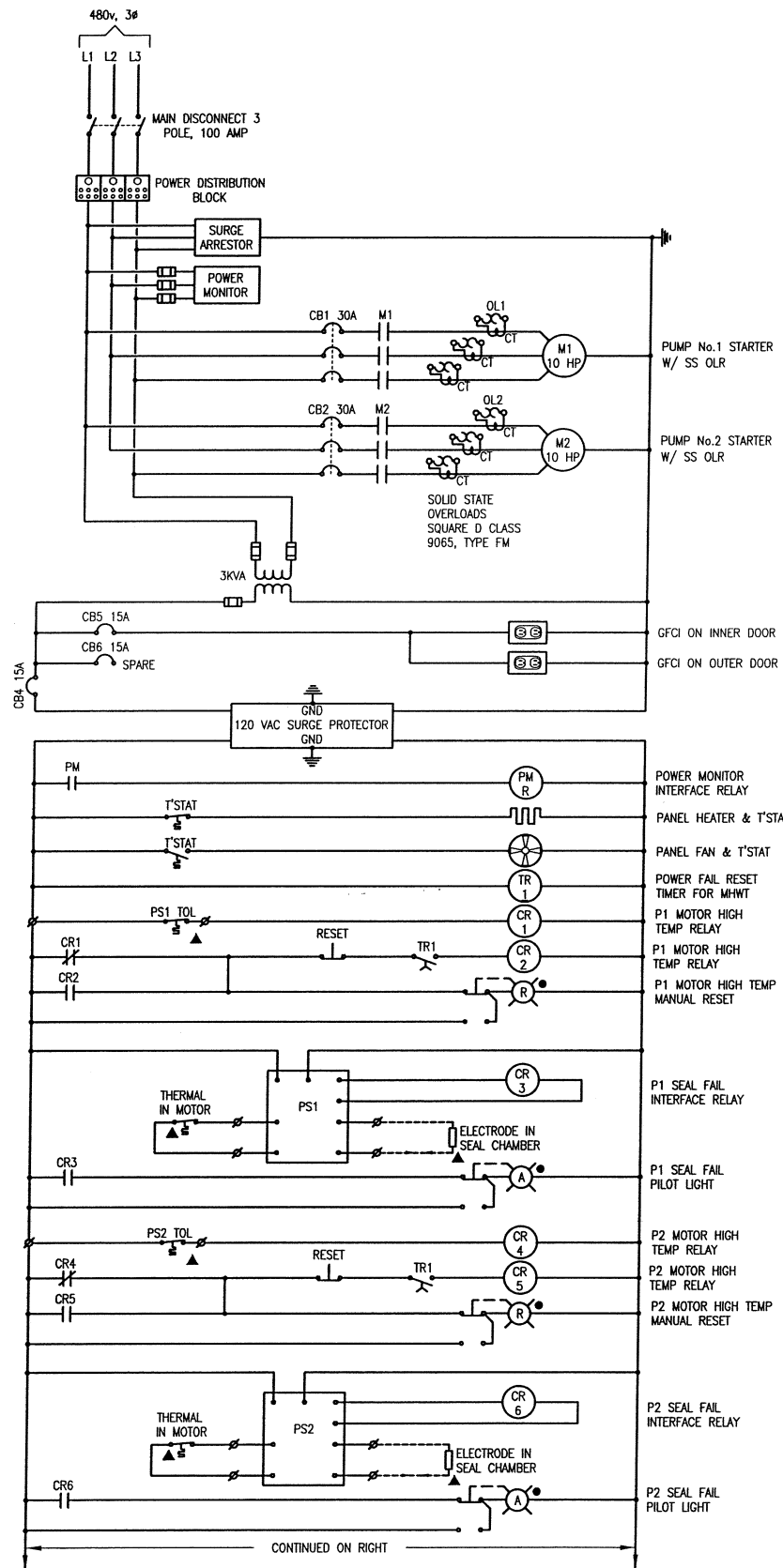


These plans and related specifications were prepared for construction of the specific project only. Reuse of these documents is not permitted without written authorization of Birkhoff, Hendricks, & Carter, L.L.P.



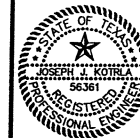
CONTROL DIAGRAM LEGEND	
SYMBOL	DESCRIPTION
●	DOOR MOUNTED DEVICE
▲	DEVICE MOUNTED REMOTE FROM MOTOR CONTROL
■	DEVICE MOUNTED REMOTE FROM STARTER UNIT BUT IN MCC
⊞	TERMINAL FOR CONNECTION OF EXTERNAL CIRCUITS
— —	NORMALLY CLOSED CONTACTS
—/—	NORMALLY OPEN CONTACTS
CPT	CONTROL POWER TRANSFORMER
HAND OFF AUTO	3 POSITION SELECTOR SWITCH
— — —	SAFETY SWITCH WITH CONTROL AUXILIARY DISCONNECT
— — —	MOTOR SPACE HEATER
(M)	MOTOR CONTACTOR
(CR)	CONTROL RELAY
(TR)	TIMING RELAY
⊞	FUSE
STOP	"STOP" PUSH BUTTON
START	"START" PUSH BUTTON
STOP	EMERGENCY "STOP" MUSHROOM BUTTON
TR1	TIMED CONTACTS
T'STAT	THERMOSTAT
LS	LIMIT SWITCH
FS	FLOAT SWITCH
ETM	ELAPSED TIME METER
⊞	AUDIBLE ALARM
⊞	CIRCUIT BREAKER WITH GROUND FAULT PROTECTION DEVICE
⊞	PUSH-TO-TEST PILOT LIGHT LETTER INDICATES COLOR

**SCHEMATIC - LIFT STATION PUMPS**

*This record drawing is a compilation of the sealed engineering drawing for this project, modified by addenda, change orders and information furnished by the contractor. The information shown on the record drawings that was provided by the contractor or others not associated with the design engineer cannot be verified for accuracy or completeness. This original sealed drawings are on file at the offices of Birkhoff, Hendricks & Carter, L.L.P.*  
 BY PAC DATE 11/30/12

(E3)

**BIRKHOFF, HENDRICKS & CARTER, L.L.P.**  
 PROFESSIONAL ENGINEERS  
 Texas Firm F526  
 11910 Greenville Ave., Suite 600  
 Dallas, Texas 75243 (214) 361-7900



THESE DOCUMENTS ARE FOR BIDDING, CONSTRUCTION, AND PERMIT PURPOSES.  
 DATE: 6-14-2011  
 McCREARY & ASSOCIATES, INC.  
 Consulting Engineers  
 Dallas, Texas FIRM No. F-338

**CITY OF ROCKWALL, TEXAS**  
 CHANDLERS DEEP LIFT STATION IMPROVEMENTS  
 ELECTRICAL  
 CONTROL SCHEMATICS

BHC  
 PROJECT NO.  
 2009-115  
 SHEET NO.  
 JUNE 2011  
**8**