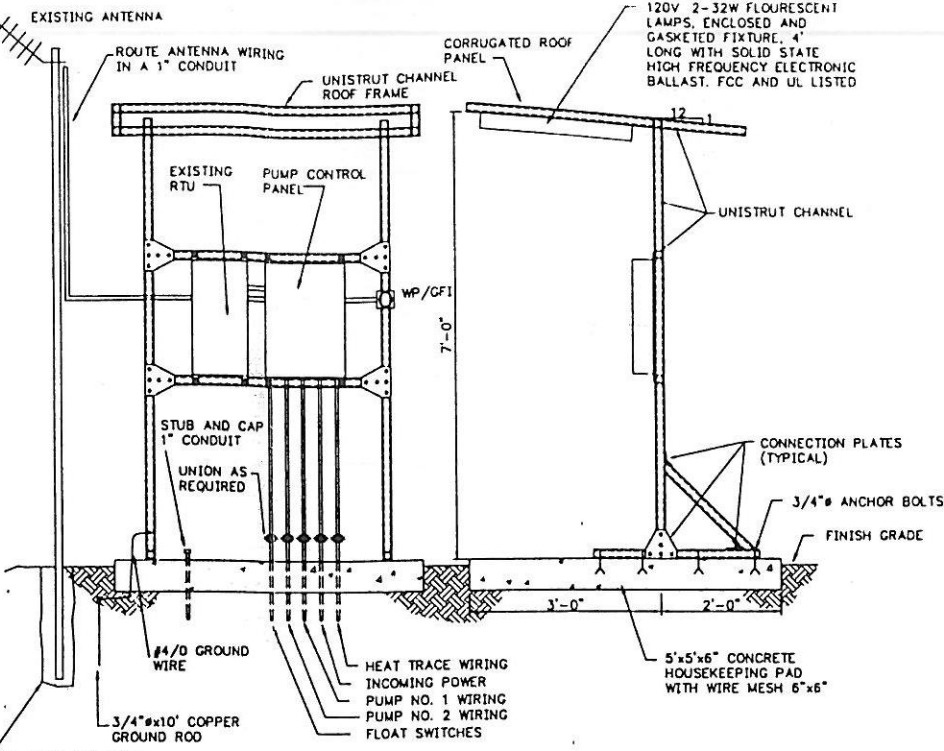
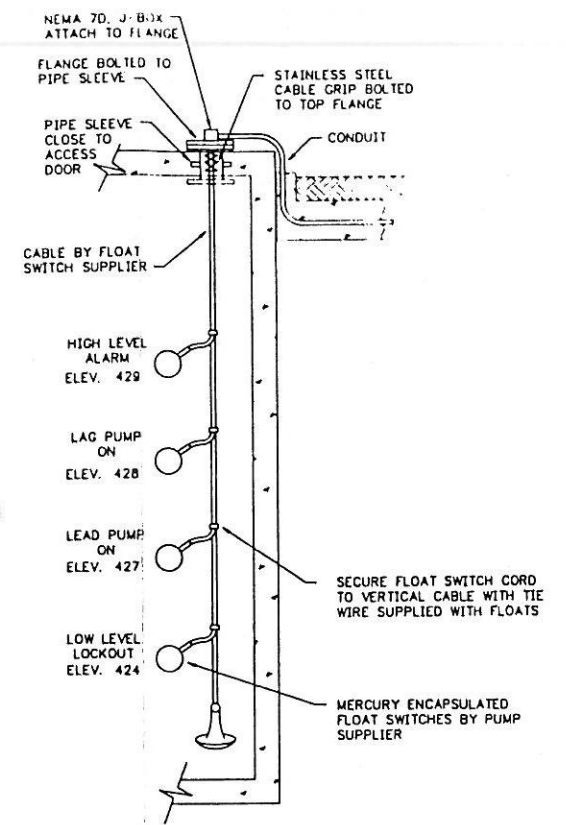


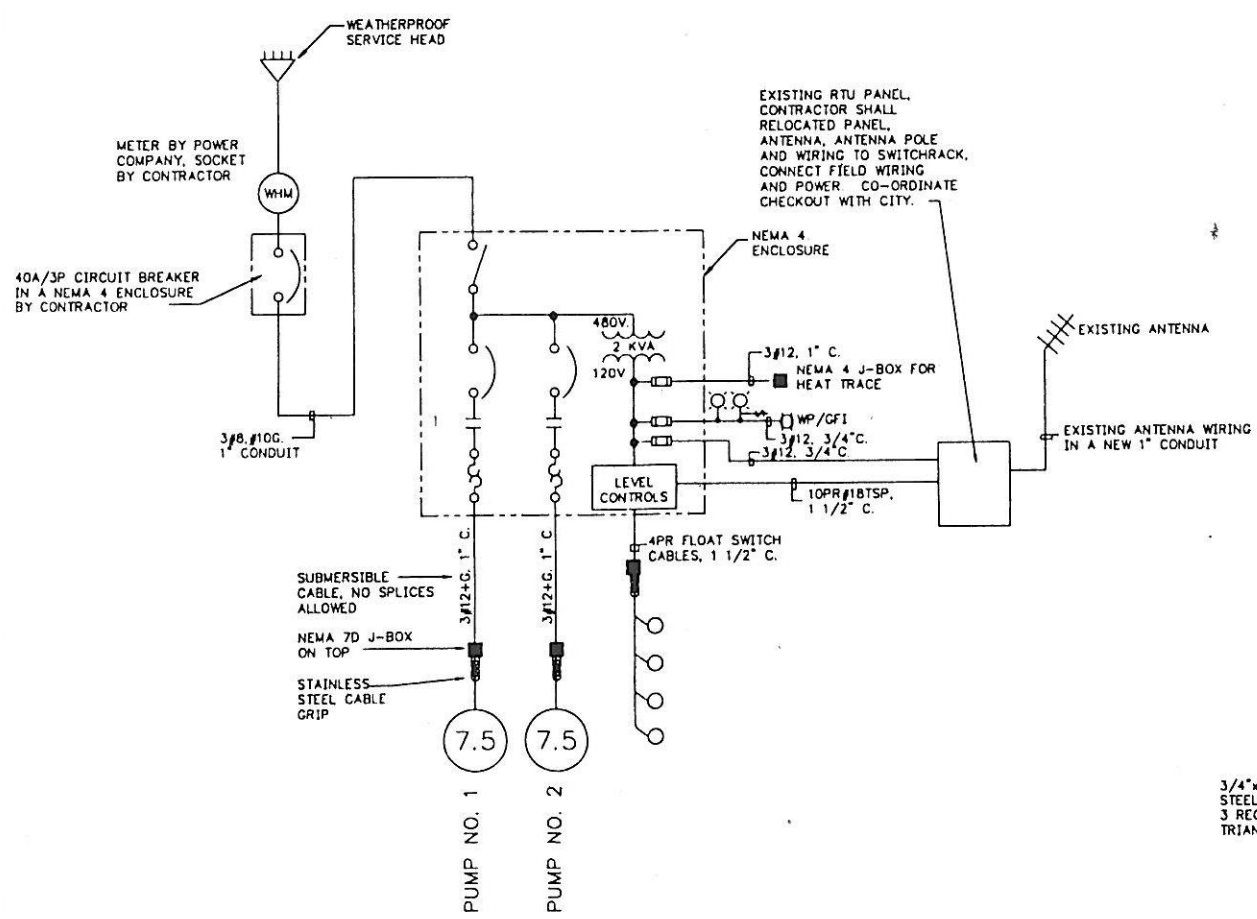
**LIFT STATION - PLAN**  
SCALE: 3/8" = 1'-0"



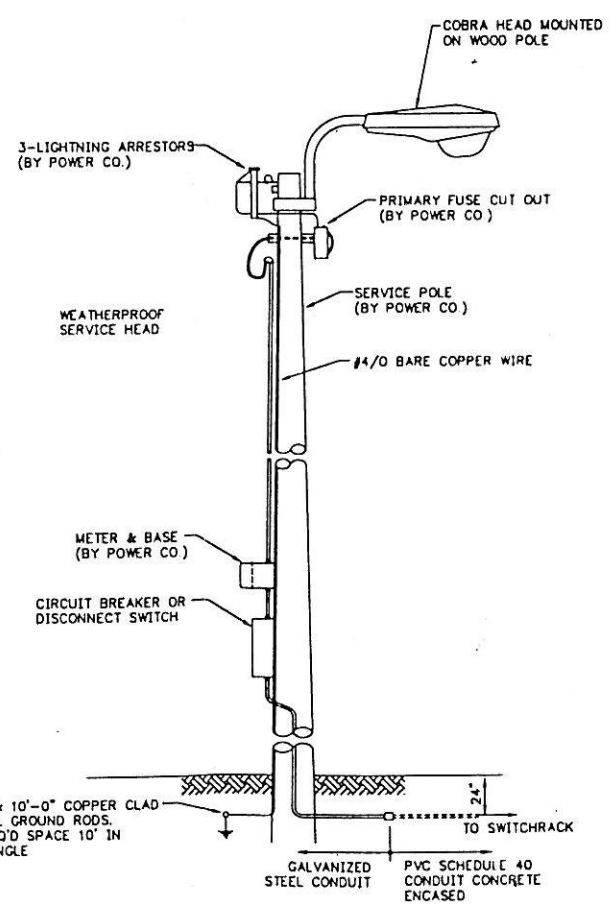
**A SWITCHRACK DETAIL**  
SCALE: N.T.S.



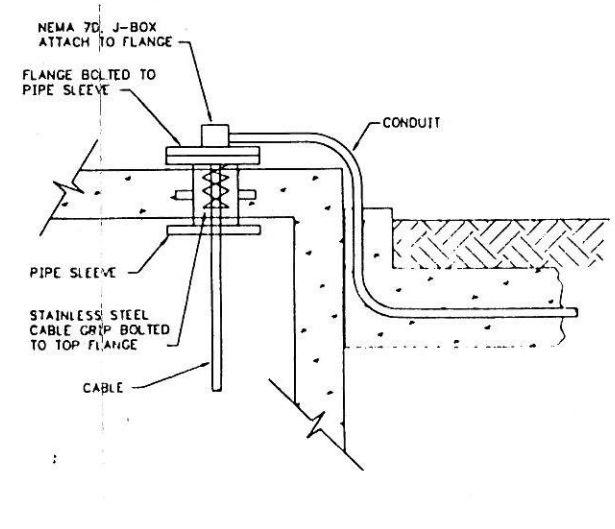
**B SUSPENDED FLOAT SWITCH DETAIL**  
SCALE: N.T.S.



**C ONLINE DIAGRAM**  
SCALE: N.T.S.



**D POWER POLE DETAIL**  
SCALE: N.T.S.



**E CABLE GRIP DETAIL**  
SCALE: N.T.S.

- NOTES:
1. ALL ELECTRICAL WORK SHALL BE DONE IN STRICT COMPLIANCE WITH THE LATEST NATIONAL ELECTRIC CODE AND ALL APPLICABLE STATE AND LOCAL CODES. ALL WORK SHALL BE PERFORMED BY A LICENSED ELECTRICIAN REGULARLY ENGAGED IN SUCH A TRADE.
  2. ALL PROPOSED ELECTRICAL DEVICES AND EQUIPMENT SHALL BE NEW AND SHALL BE UL LISTED AND APPROVED. ALL EQUIPMENT SHALL BE GROUNDED PER NEC REQUIREMENTS.
  3. ALL CONDUITS, CONDUCTORS AND CONDUIT FITTINGS SHALL BE ALUMINUM. UNDERGROUND CONDUITS AND CONDUIT FITTINGS SHALL BE THIN WALL PVC TYPE EB INSTALLED A MINIMUM OF 18 INCHES BELOW GRADE AND HAVING A MINIMUM OF 3 INCH CONCRETE (CLASS C) ENVELOPE ALL SIDES. INSTALL A 4 INCH WIDE YELLOW PLASTIC MARKER TAPE 6 INCHES ABOVE THE CONCRETE DUCTBANK, THROUGHOUT THE LENGTH OF THE DUCTBANK. ALL CONDUITS SHALL BE 3/4" AND LARGER.
  4. ALL CONDUCTORS SHALL BE THHN/THWN OR XHHN COPPER SUITABLE FOR INSTALLATIONS IN WET AND DRY LOCATIONS. POWER CONDUCTORS SHALL BE A MINIMUM OF NO. 12 AWG. CONTROL CONDUCTORS SHALL BE A MINIMUM OF NO. 14 AWG. SIGNAL CONDUCTORS FOR 4-20 mA ANALOG CONTROL AND INDICATION SIGNAL SHALL BE TWISTED SHIELDED PAIR CABLES NO. 18 AWG, WITH THE SHIELD GROUNDED AT THE FIELD INSTRUMENT END ONLY. INSTALLED PER ISA AND IEEE STANDARDS. SIGNAL WIRING SHALL BE INSTALLED IN SEPARATE CONDUITS FROM POWER WIRING. ALL CONDUCTORS SHALL BE TAGGED AT ALL TERMINATION POINTS WITH HEAT SHRINK WIRE MARKERS. ALL CONDUCTORS SHALL BE TESTED FOR CONTINUITY AFTER INSTALLATION. SPLICES SHALL NOT BE ACCEPTABLE.

THE SEAL APPEARING ON THIS DOCUMENT WAS AUTHORIZED BY PATRICK M. MOSELEY, P.E. NO. 72794 ON OCTOBER 5th, 1995

CHANG, Patel and Associates, Inc.  
Consulting Engineers • Planners • Project Managers  
Dallas, Texas

City of Rockwall  
"THE NEW HORIZON"

CHANDLERS DEEP LIFT STATION  
AND FORCE MAIN MODIFICATIONS  
ELECTRICAL SITE PLAN

Scale: AS SHOWN	Date: 9-8-94
Designed by: P.N. MOSELEY	
Drawn by: T.C. GRANT	
Checked by: P.N. MOSELEY	
Approved by: P.K. PATEL	
Project No: CR09421.2	