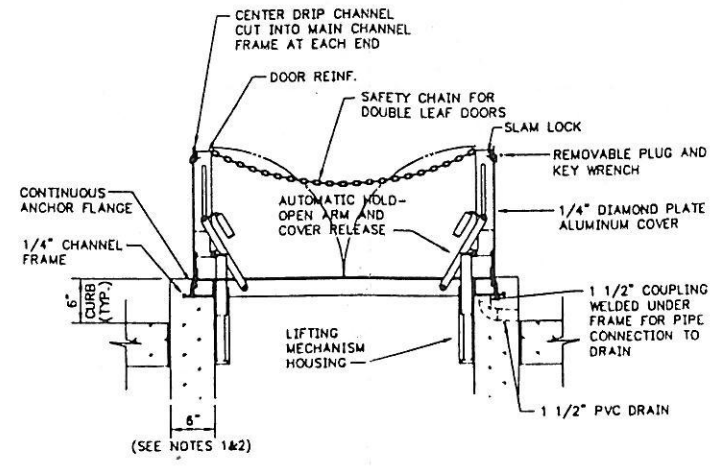
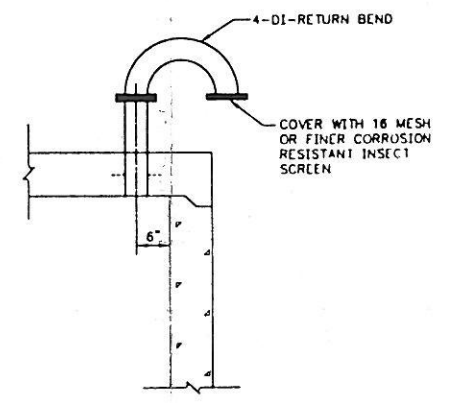


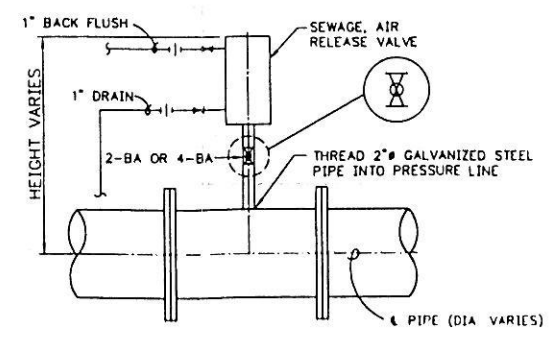
**PLAN - LIFT STATION & VALVE VAULT**  
SCALE 3/8" = 1'-0"



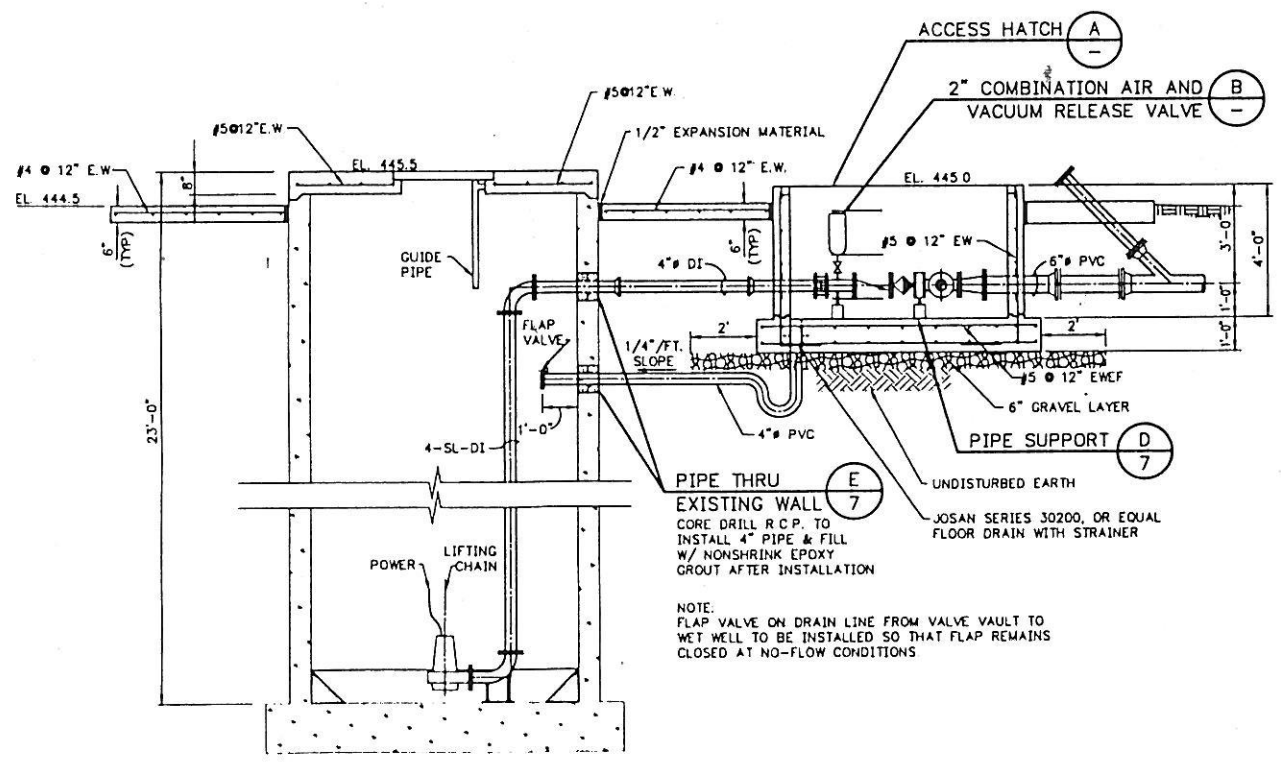
**A ACCESS HATCH**  
SCALE N.T.S.



**B VENT DETAIL**  
SCALE N.T.S.



**C 2" COMBINATION AIR AND VACUUM RELEASE VALVE**  
SCALE N.T.S.



**1 SECTION - LIFT STATION & VALVE VAULT**  
SCALE 3/8" = 1'-0"

- NOTES:
- EXTERIOR ACCESS HATCH SHALL BE MOUNTED ON 8 INCH WALL WITH DRAIN AND SHALL BE BILCO TYPE "JO-AL", OR EQUAL WITH 6" x 6'-6" OPENING
  - ALL HARDWARE SHALL BE STAINLESS STEEL OR ALUMINUM

THE SEAL APPEARING ON THIS DOCUMENT WAS AUTHORIZED BY C.F. RASOR, P.E. NO. 28168 ON October 5th, 1994

Revisions  
No. Date

ADD.



**CITY OF ROCKWALL**  
"THE NEW HORIZON"



CHANDLERS DEEP LIFT STATION  
AND FORCE MAIN MODIFICATIONS  
LIFT STATION MODIFICATIONS

Scale 3/8" = 1'-0" Date 10/94  
Designed by J.A. MARLER  
Drawn by G.W. JOHNSON  
Checked by E.M. MOTLEY  
Approved by C.F. RASOR  
Project No. CR09421.2