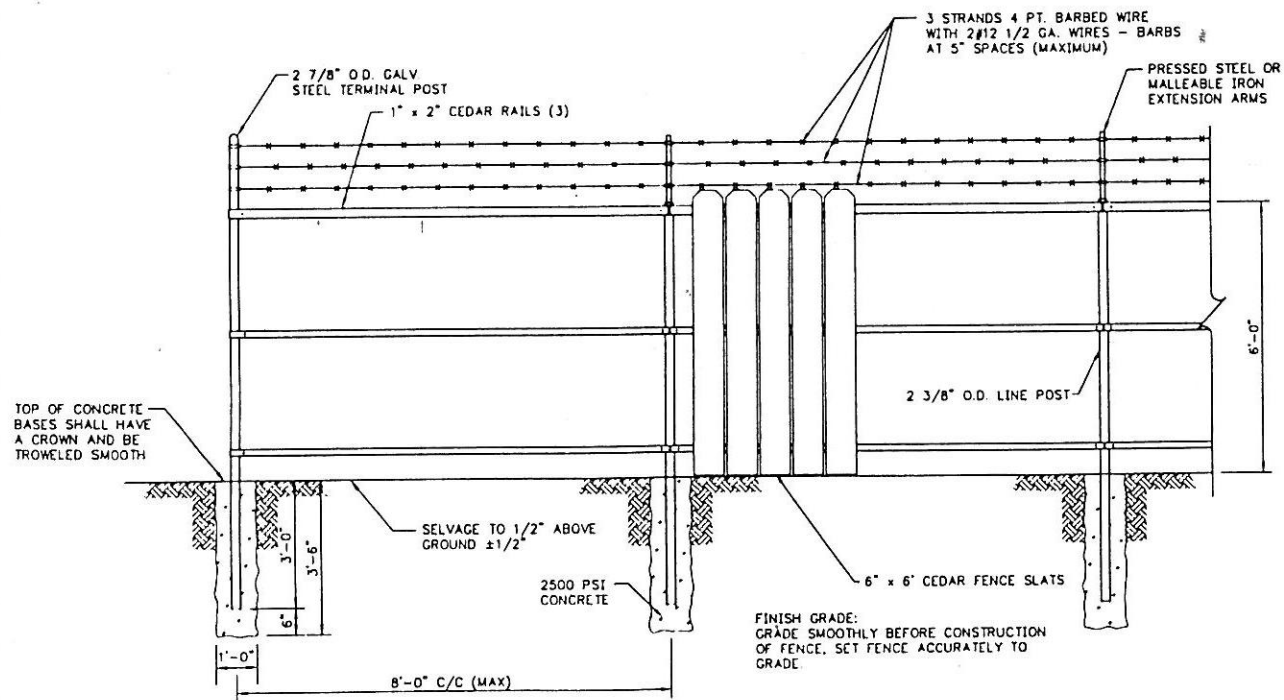


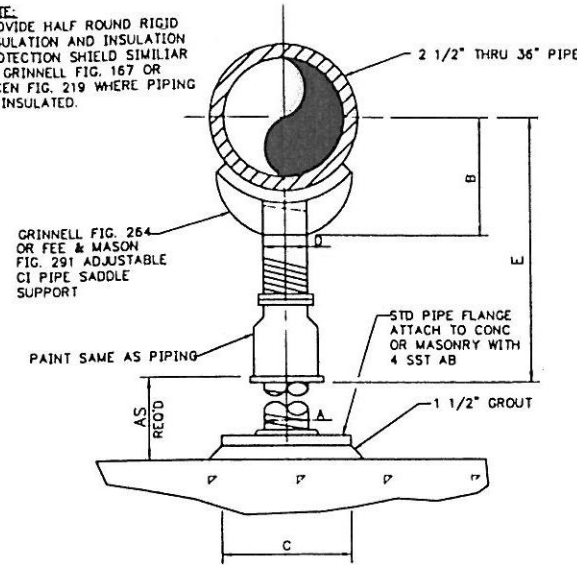
**GATE INSTALLATION**  
SCALE: N.T.S.



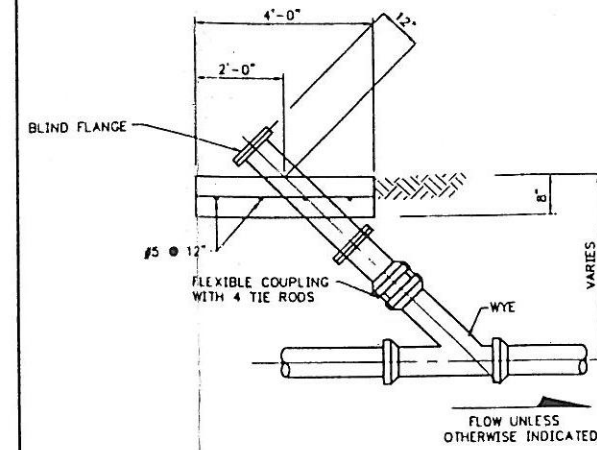
**A FENCE INSTALLATION**  
SCALE: N.T.S.

PIPE SIZE	A				E	
	MIN	MAX	MIN	MAX	MIN	MAX
2-1/2"	2-1/2"	3-1/2"	9"	1-1/2"	8"	13"
3"	2-1/2"	3-3/4"	9"	1-1/2"	8-1/4"	13-1/4"
3-1/2"	2-1/2"	4"	9"	1-1/2"	8-1/2"	13-1/2"
4"	3"	4-1/4"	9"	2-1/2"	9-1/4"	14"
5"	3"	4-7/8"	9"	2-1/2"	10"	14-3/4"
6"	3"	5-1/2"	9"	2-1/2"	10-1/2"	15-1/4"

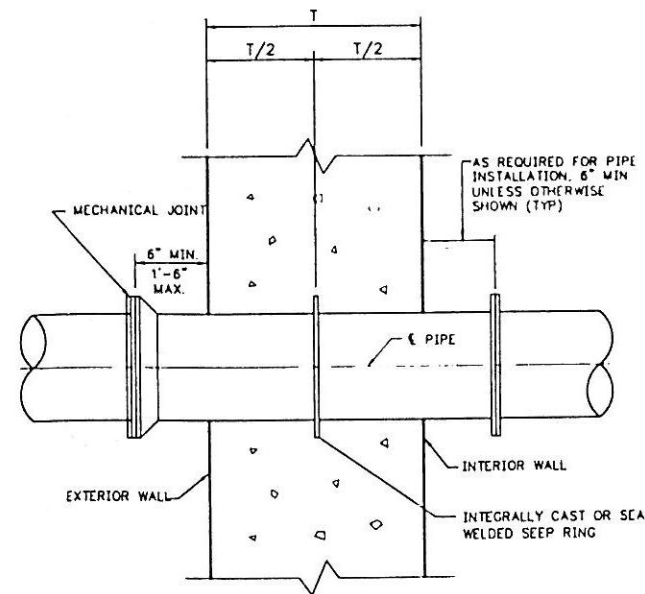
NOTE: PROVIDE HALF ROUND RIGID INSULATION AND INSULATION PROTECTION SHIELD SIMILAR TO GRINNELL FIG. 167 OR ELLEN FIG. 219 WHERE PIPING IS INSULATED.



**B PIPE SUPPORT**  
SCALE: N.T.S.

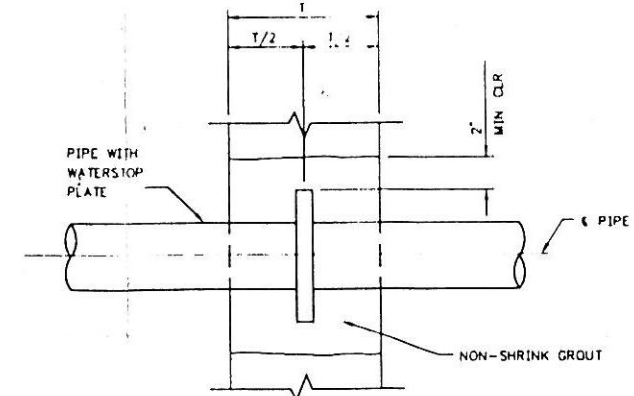


**C PRESSURE CLEANOUT**  
SCALE: N.T.S.



NOTE: PIPE THIMBLE SHALL BE IN PLACE BEFORE PLACING CONCRETE COAT WALL PIPE WITH SPECIFIED COATING SYSTEM PRIOR TO CONC PLACEMENT

**D WALL PIPE**  
SCALE: N.T.S.



**E PIPE THRU EXISTING WALL**  
SCALE: N.T.S.

THE SEAL APPEARING ON THIS DOCUMENT WAS AUTHORIZED BY C.F. RASOR, P.E. NO. 28168 ON OCTOBER 5th, 1994

Chiang, Patel and Associates, Inc.  
Consulting Engineers - Planners - Project Managers  
Dallas, Texas



CITY OF ROCKWALL  
"THE NEW HORIZON"



CHANDLERS DEEP LIFT STATION  
AND FORCE MAIN MODIFICATIONS  
MISCELLANEOUS DETAILS

Scale AS SHOWN Date 10/94  
Designed by J.A. MARLER  
Drawn by G.W. JOHNSON  
Checked by E.M. MOTLEY  
Approved by C.F. RASOR  
Project No. CR09421.2