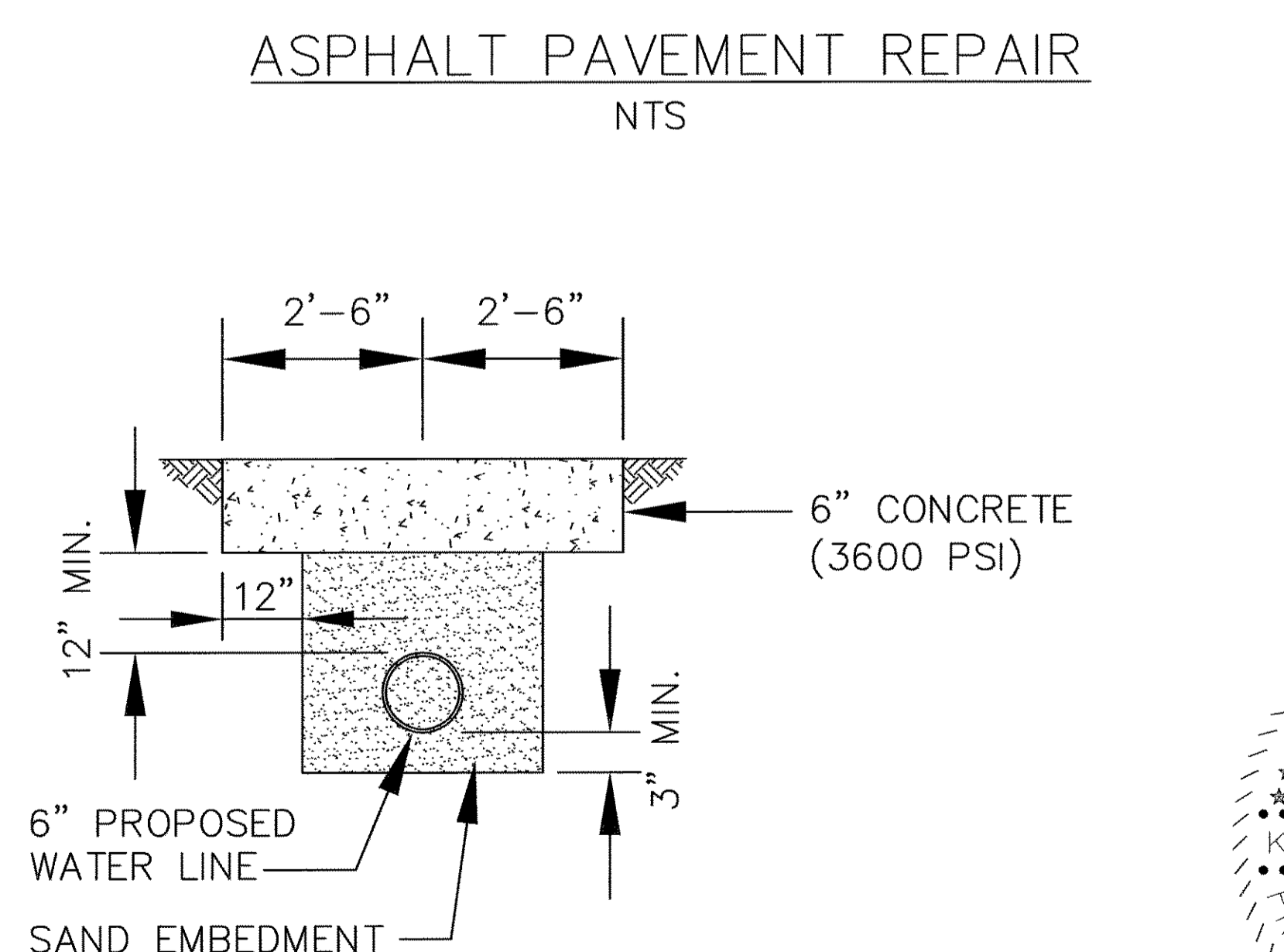
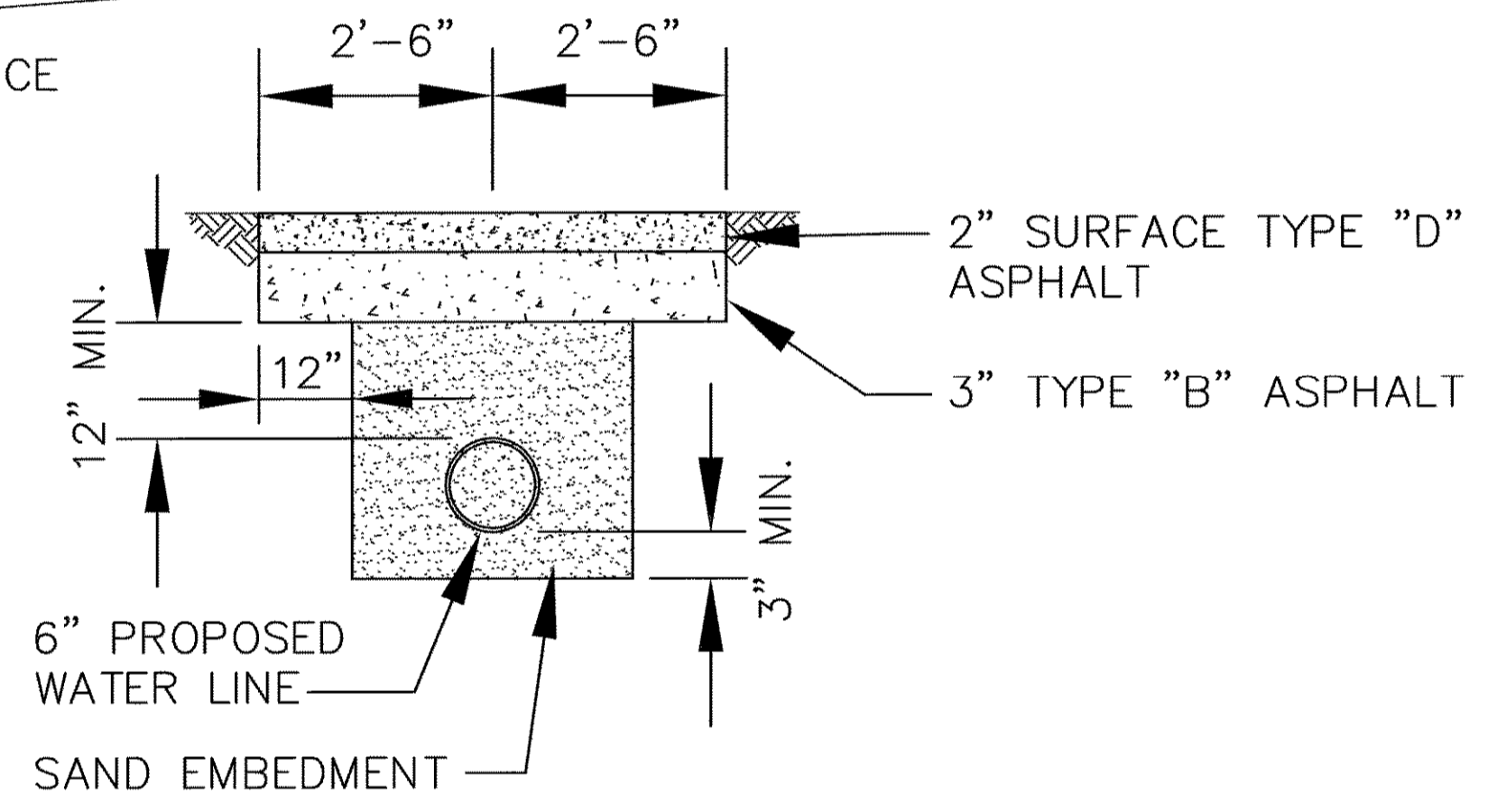
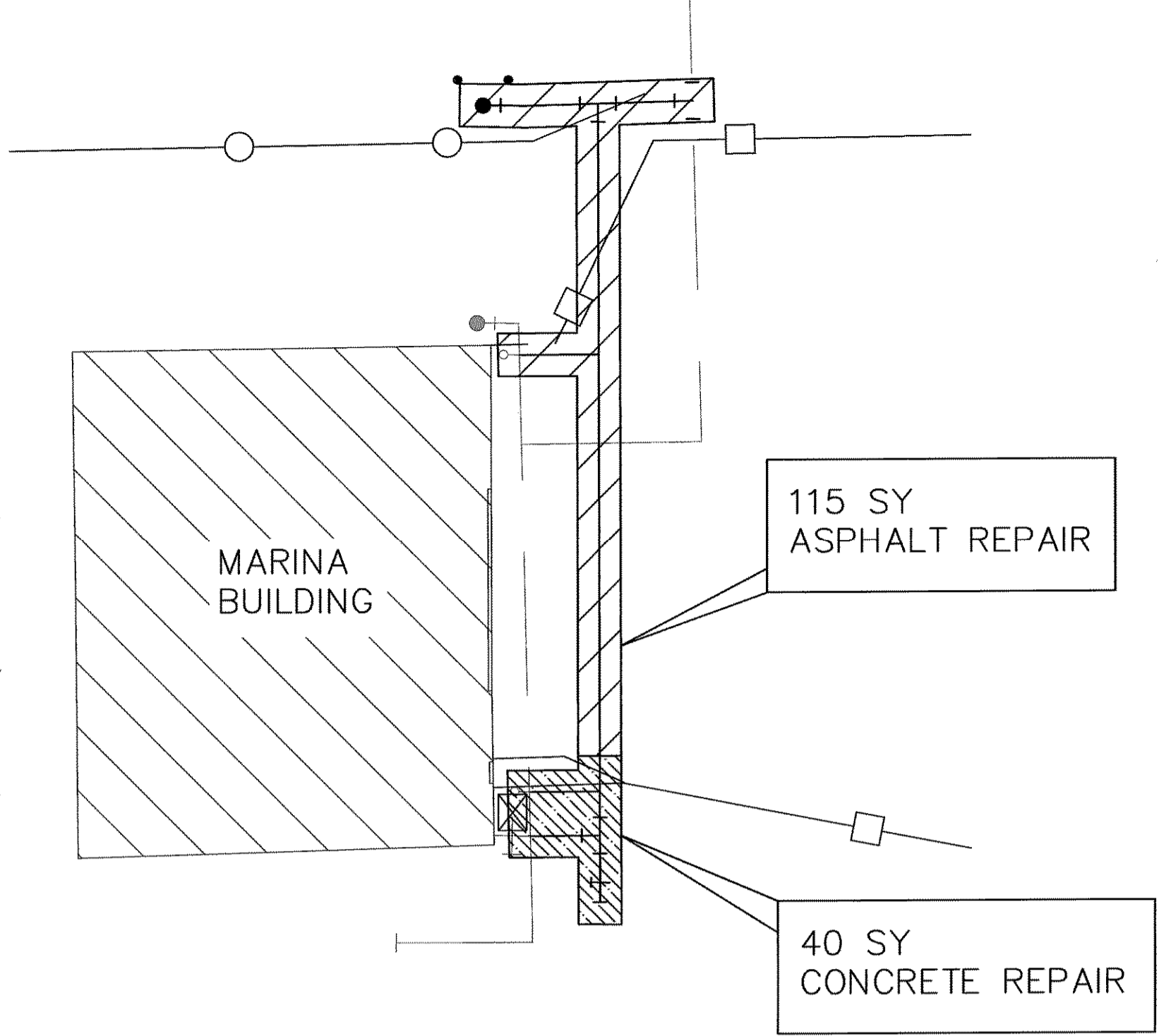
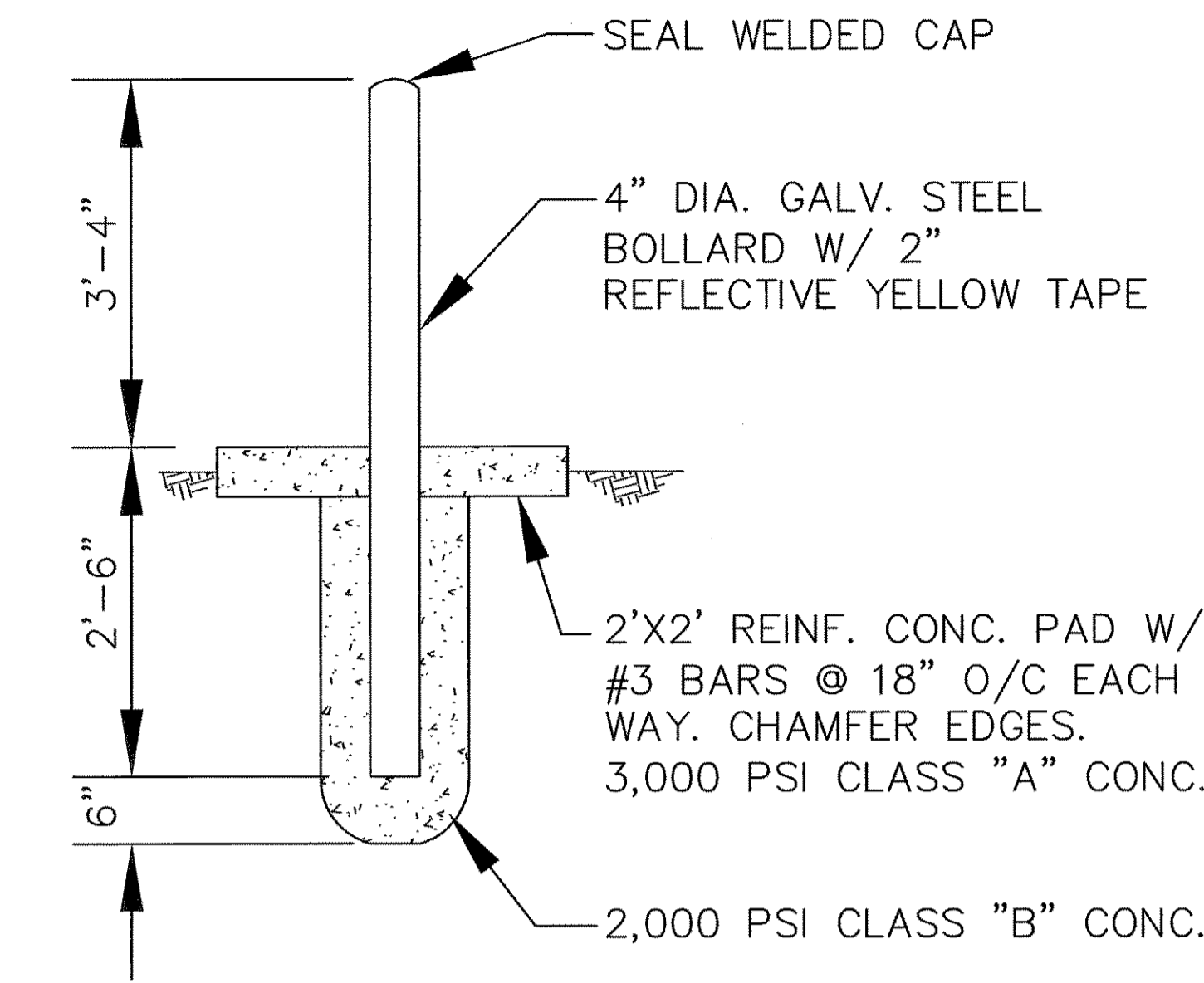
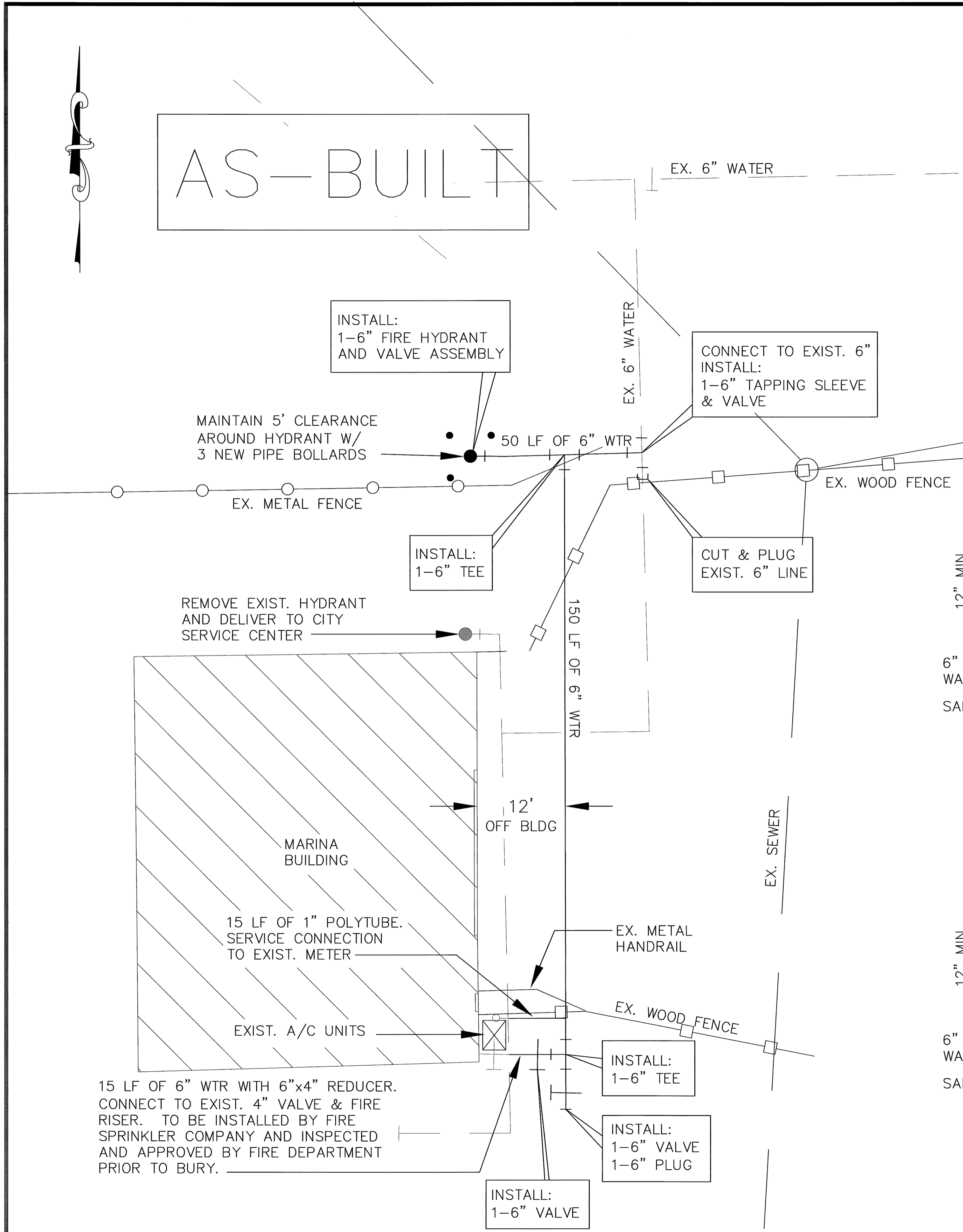
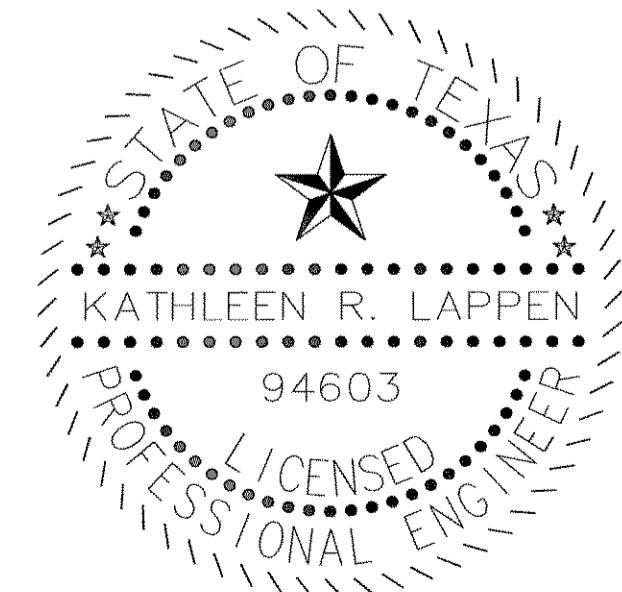


AS-BUILT



NOTES

1. ALL WATER LINES TO BE MIN CLASS 200, DR 14.
2. CONTRACTOR IS RESPONSIBLE FOR LOCATION OF ALL EXISTING UTILITIES AND FOR ANY RELOCATIONS, DAMAGES, OR REPAIRS OF SAID EXISTING UTILITIES. EXISTING UTILITIES ON PLANS ARE APPROXIMATE.
3. USE CITY OF ROCKWALL STANDARD DETAILS AND NCTCOG 3RD EDITION DETAILS, AS MODIFIED BY CITY.
4. CONTRACTOR SHALL COORDINATE WITH MARINA OPERATOR WHILE WORKING ON MARINA PROPERTY.
5. WATERLINE TO HAVE MINIMUM OF 4 FEET COVERAGE.
6. REMOVE AND RE-SET A/C UNITS AS NECESSARY TO INSTALL WATER LINE AND TO MAKE SERVICE AND FIRE RISER TIE-INS. COORDINATE WITH MARINA OPERATOR.
7. REMOVE AND REPLACE WOOD FENCE.
8. REMOVE AND REUSE METAL HANDRAIL. RE-PAINT IF NECESSARY.



6" WTR LINE REPLACEMENT	
CHANDLER'S MARINA	
ROCKWALL, TEXAS	
<b>CITY OF ROCKWALL</b> "THE NEW HORIZON"	
SCALE: NTS	DATE: JULY 2009

REVISION NO.	REMARKS	DATE