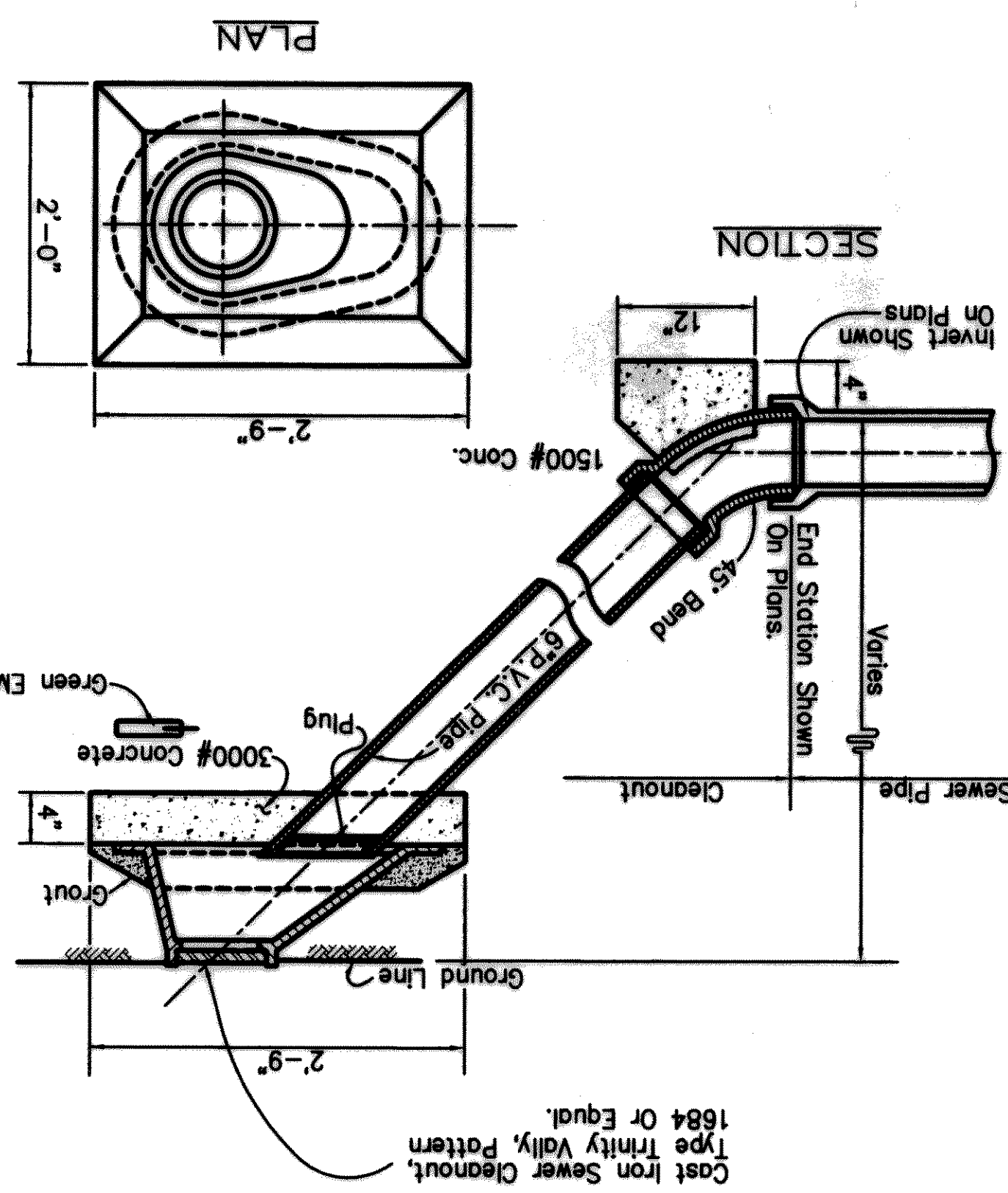


SEWER CLEANOUT

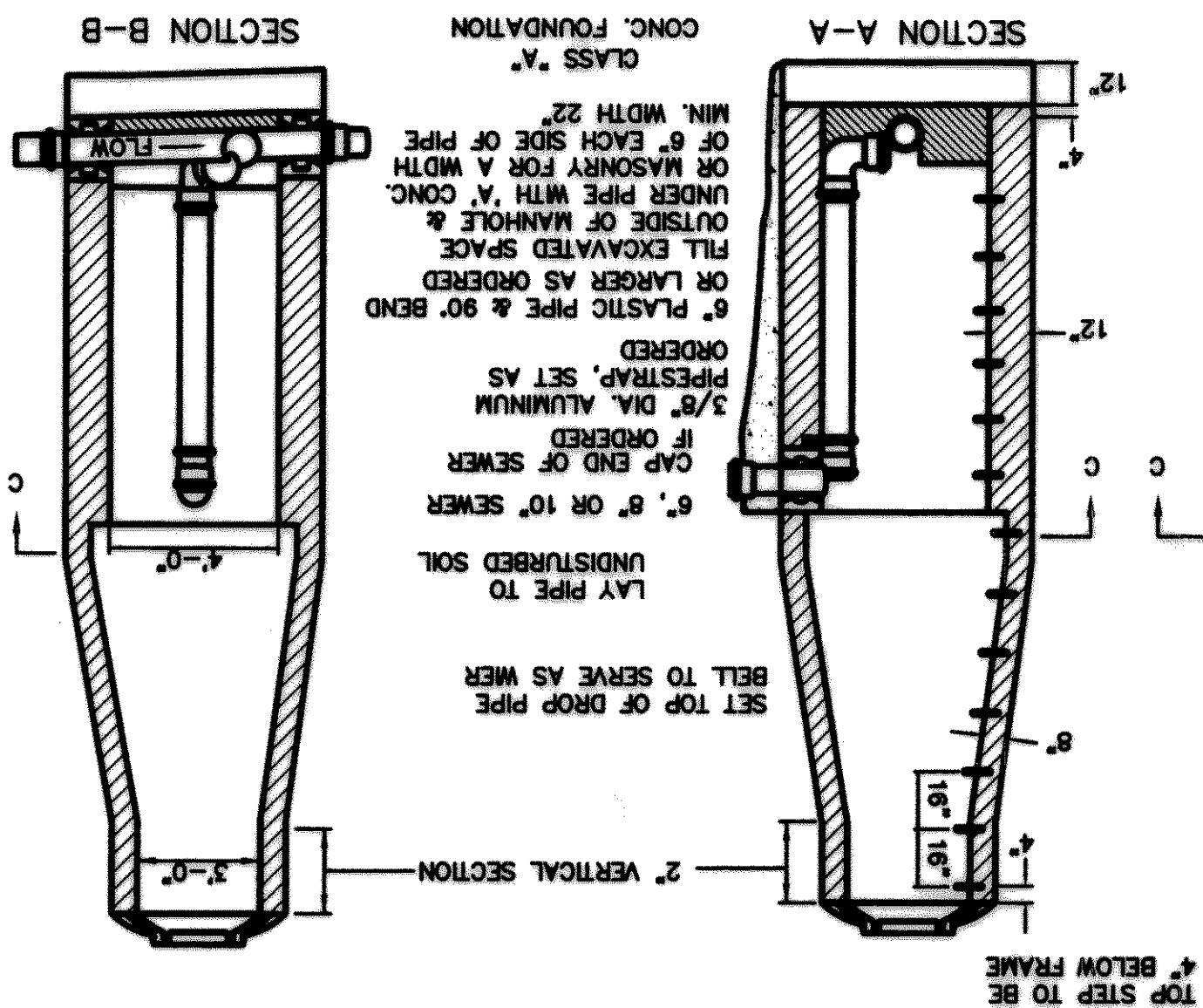
Not To Scale



Cast Iron Sewer Cleanout, Type Trinity Valley Pattern, 1984 Or Equal.

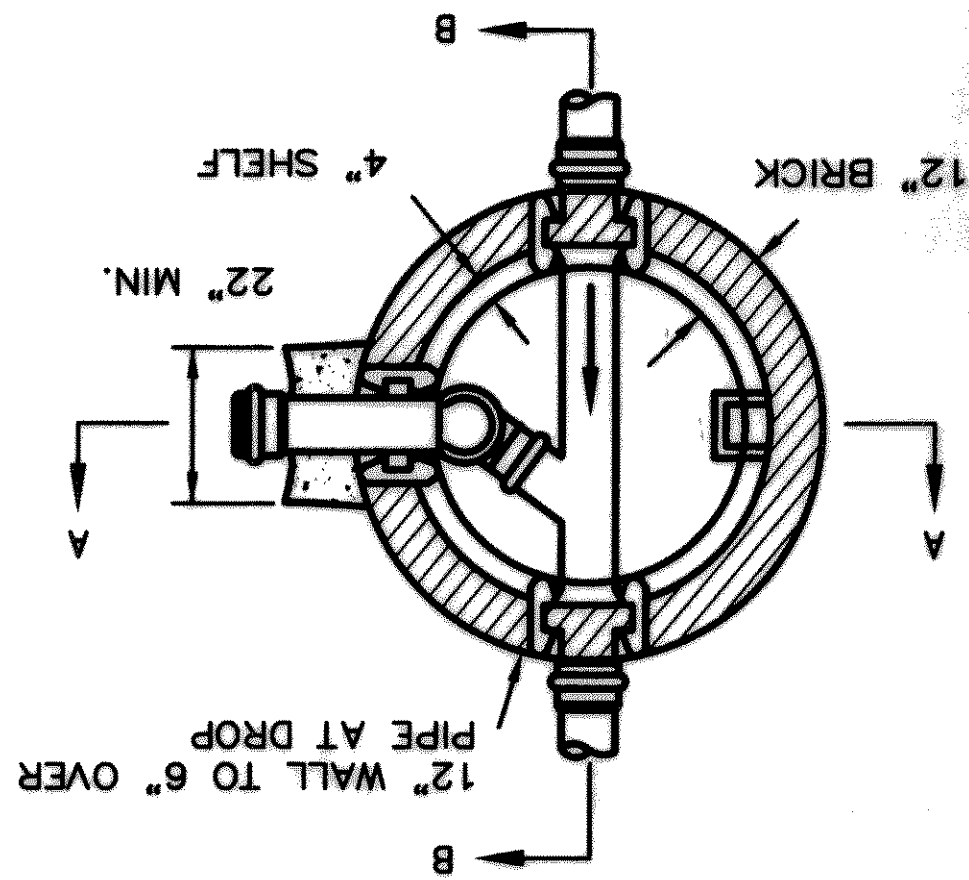
INSIDE DROP CONNECTION MANHOLE

Not To Scale



TOP STEP TO BE 4" BELOW FRAME

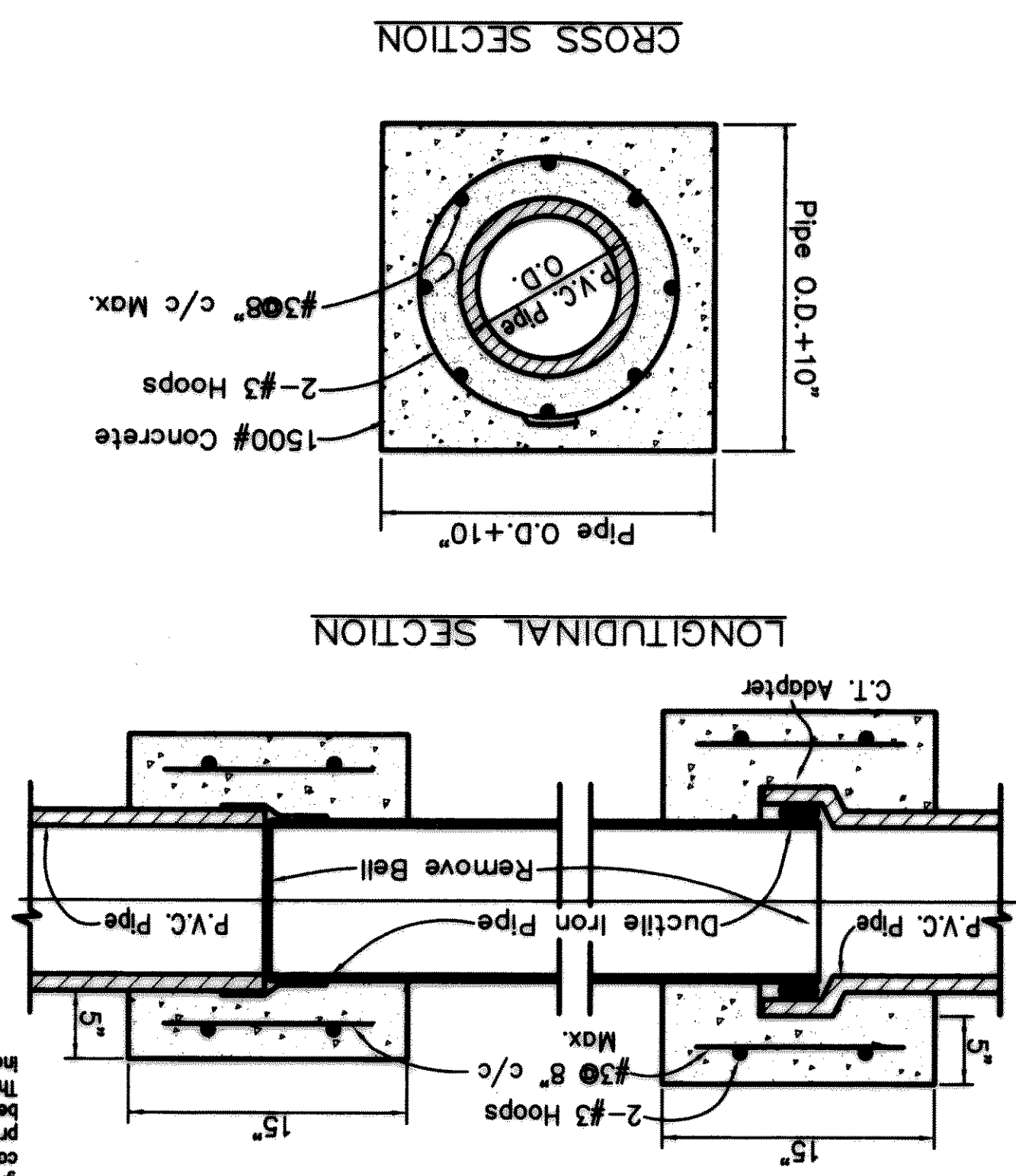
SECTION C-C



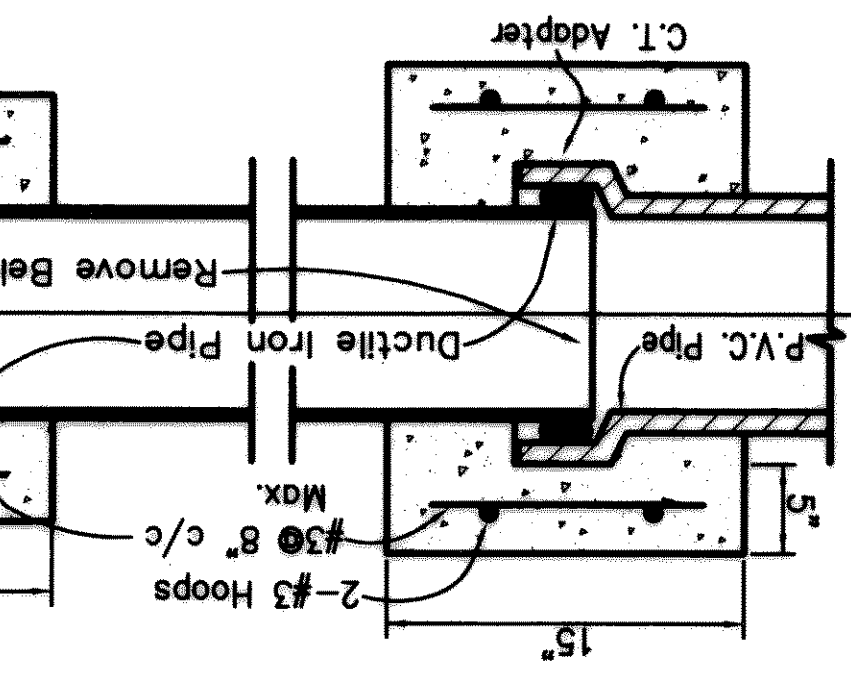
Note: Cast in place manhole shall be similar in shape and dimensions as shown. Applicable cast-in-place details shall be approved by the City. Top part of manhole may be eccentric when approved by the City. Manhole steps to be spaced vertically at 16" center/center and staggered. Concrete above base (foundation) to be 4000 PSI class. See specifications for more details.

DETAIL - CONCRETE PIPE COLLARS

Not To Scale



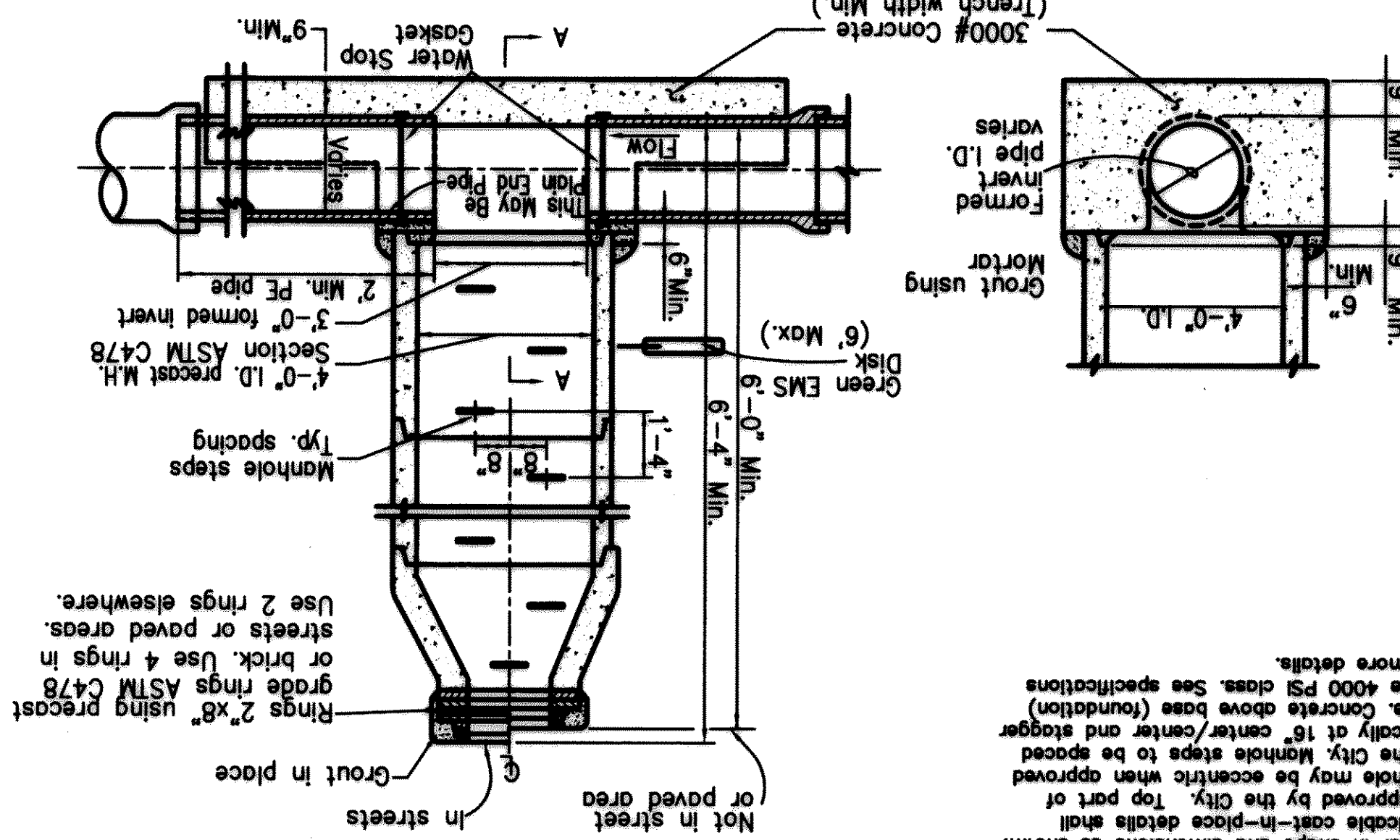
LONGITUDINAL SECTION



TYPICAL DETAILS PRE-CAST CONCRETE MANHOLE

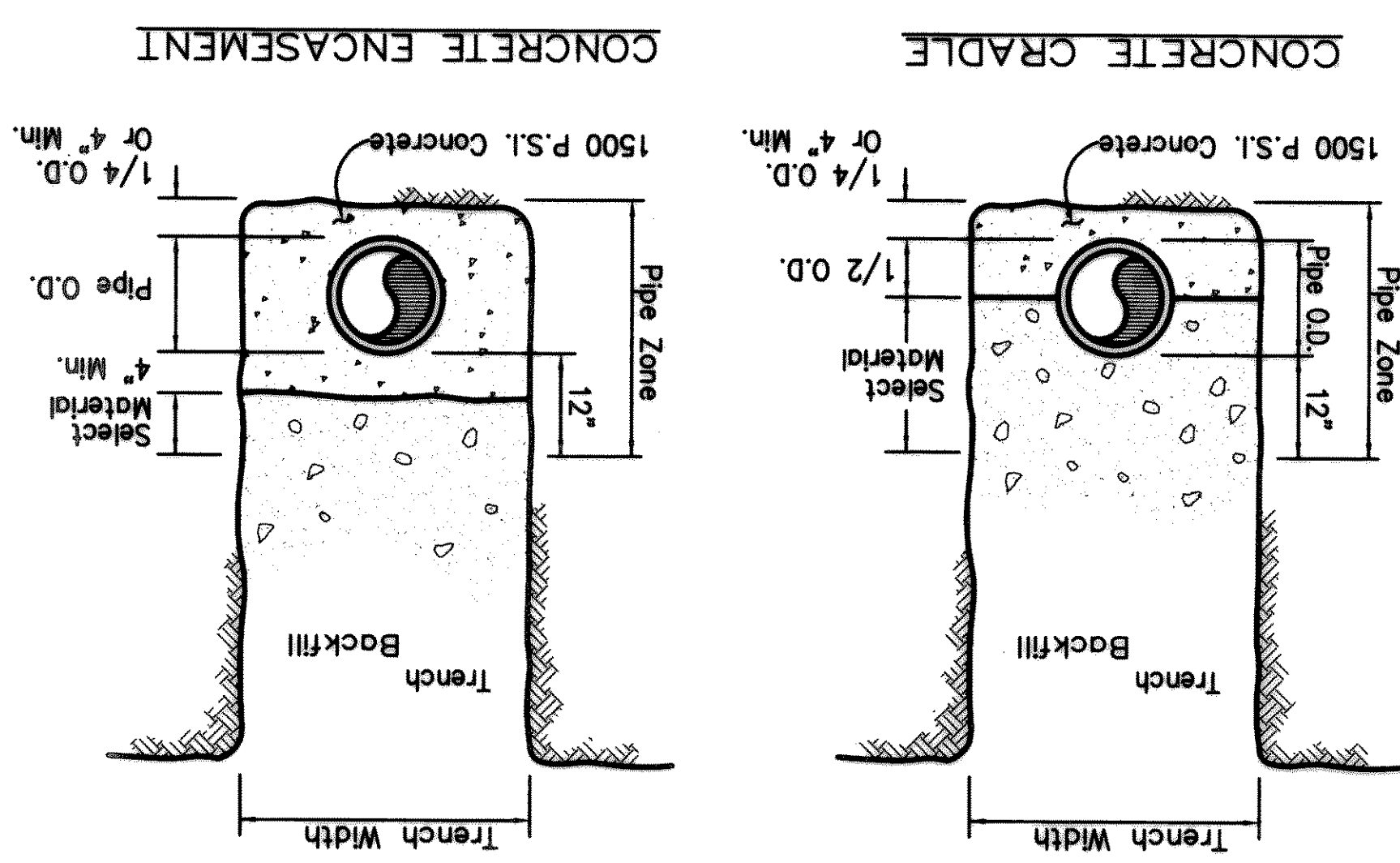
(Depths Not Less Than 6 Feet)  
See Note For Cast-In-Place Manhole

SECTION A-A THRU PRE-CAST CONCRETE MANHOLE

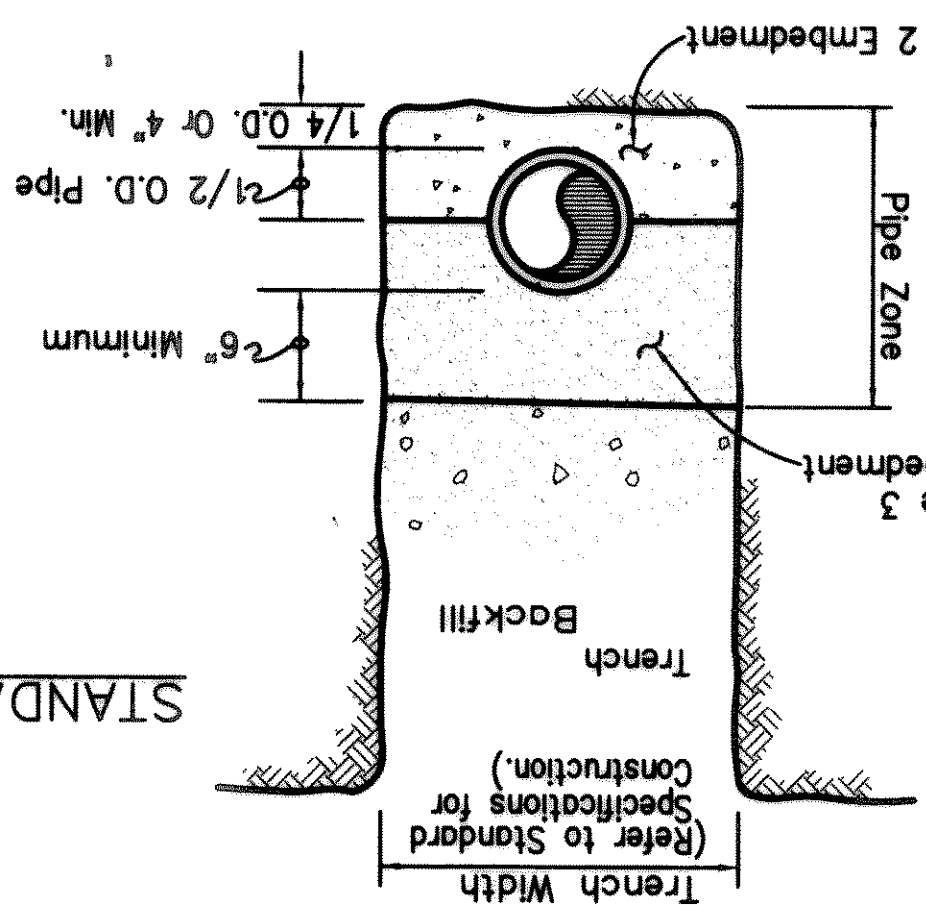


Note: Cast in place manhole shall be similar in shape and dimensions as shown. Applicable cast-in-place details shall be approved by the City. Manhole steps to be spaced vertically at 16" center/center and staggered. Concrete above base (foundation) to be 4000 PSI class. See specifications for more details.

CONCRETE CRADLE AND ENCASMENT DETAILS



PIPE EMBEDMENT DETAIL

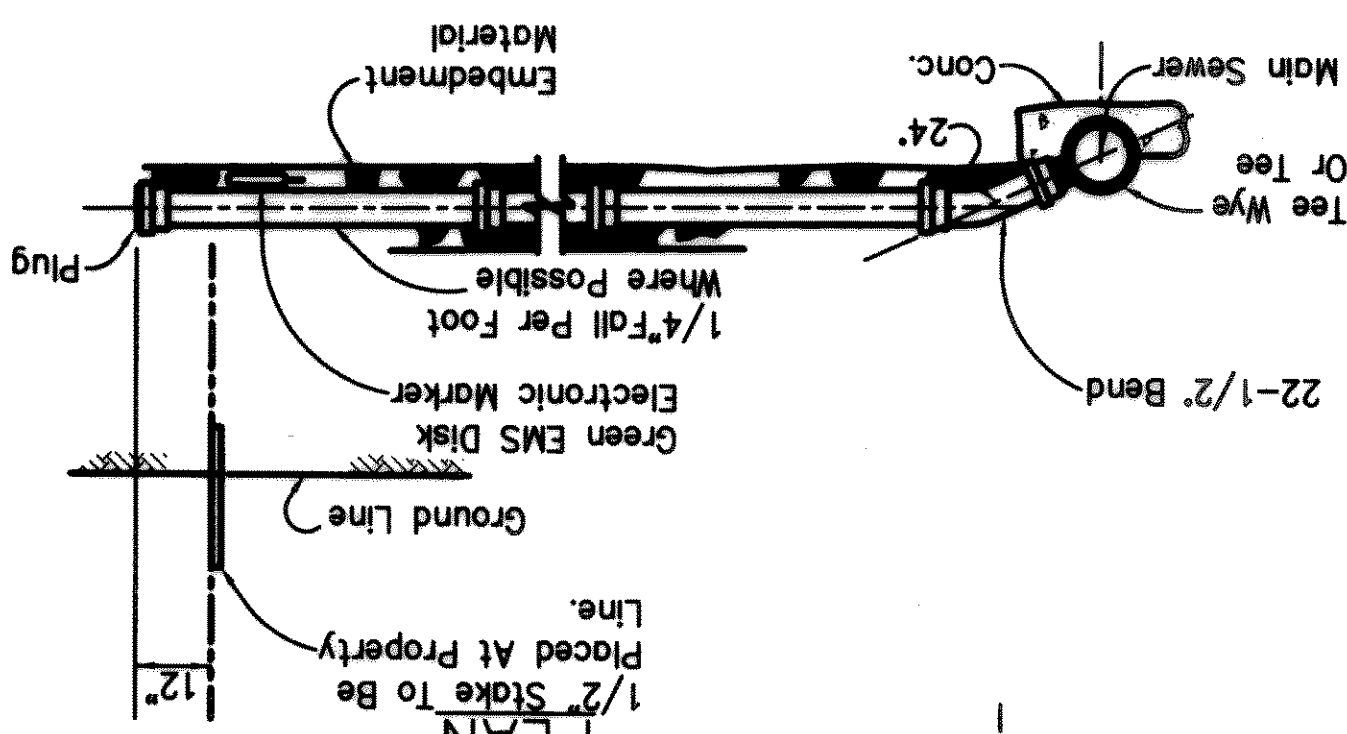


GRAVEL, TYPE 2, EMBEDMENT: Gravel for embedment and/or Embedment. The material shall be free from clay and organic material. GRAVEL, TYPE 3, EMBEDMENT: Pit run granular embedment material shall be free from sand and fine gravel from large stones, clay and organic material. The material may be on a bed of pit run or blow sand not normally considered satisfactory for concrete aggregate and may be used directly from pits without processing, provided it complies with the qualities described herein. The material shall be such that when wet it will not form a mud ball or tend to clog together. The material shall have 100% passing one inch (1") sieve and the plasticity index of that part passing the sieve is obtained from the City.

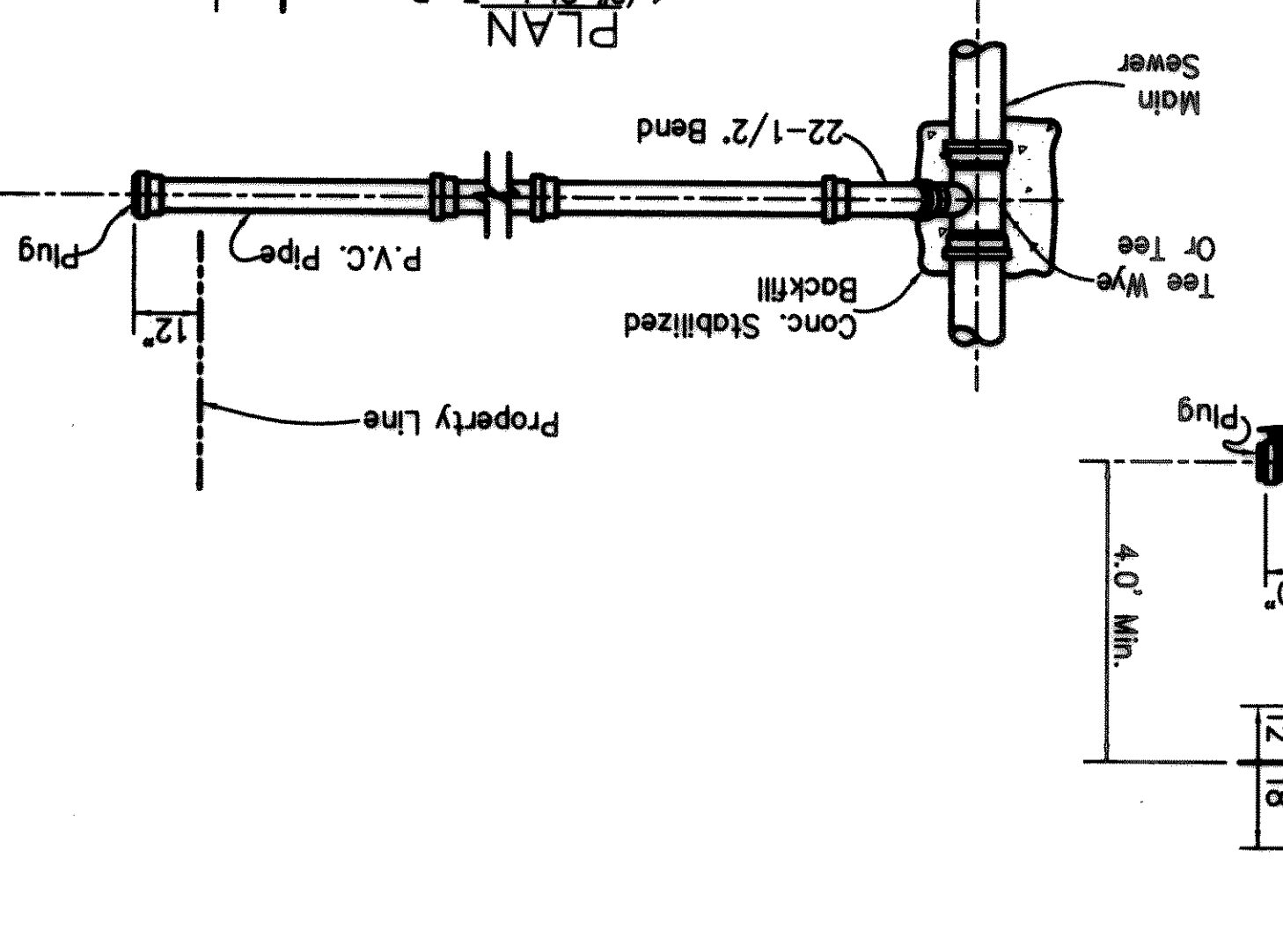
Sieve Size	% By Weight Passing
1"	100
3/4"	90 - 100
3/8"	20 - 55
No. 4	0 - 10
No. 8	0 - 5

STANDARD SERVICE CONNECTION

Not To Scale



PLAN



DEEP SERVICE CONNECTION

Not To Scale

