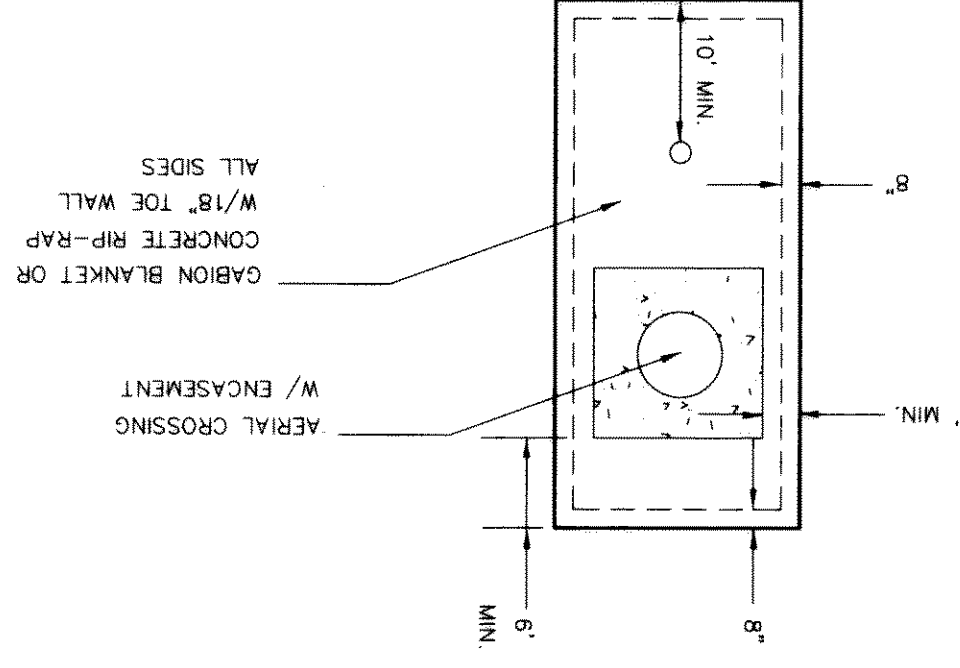


**AERIAL CROSSING DETAIL**

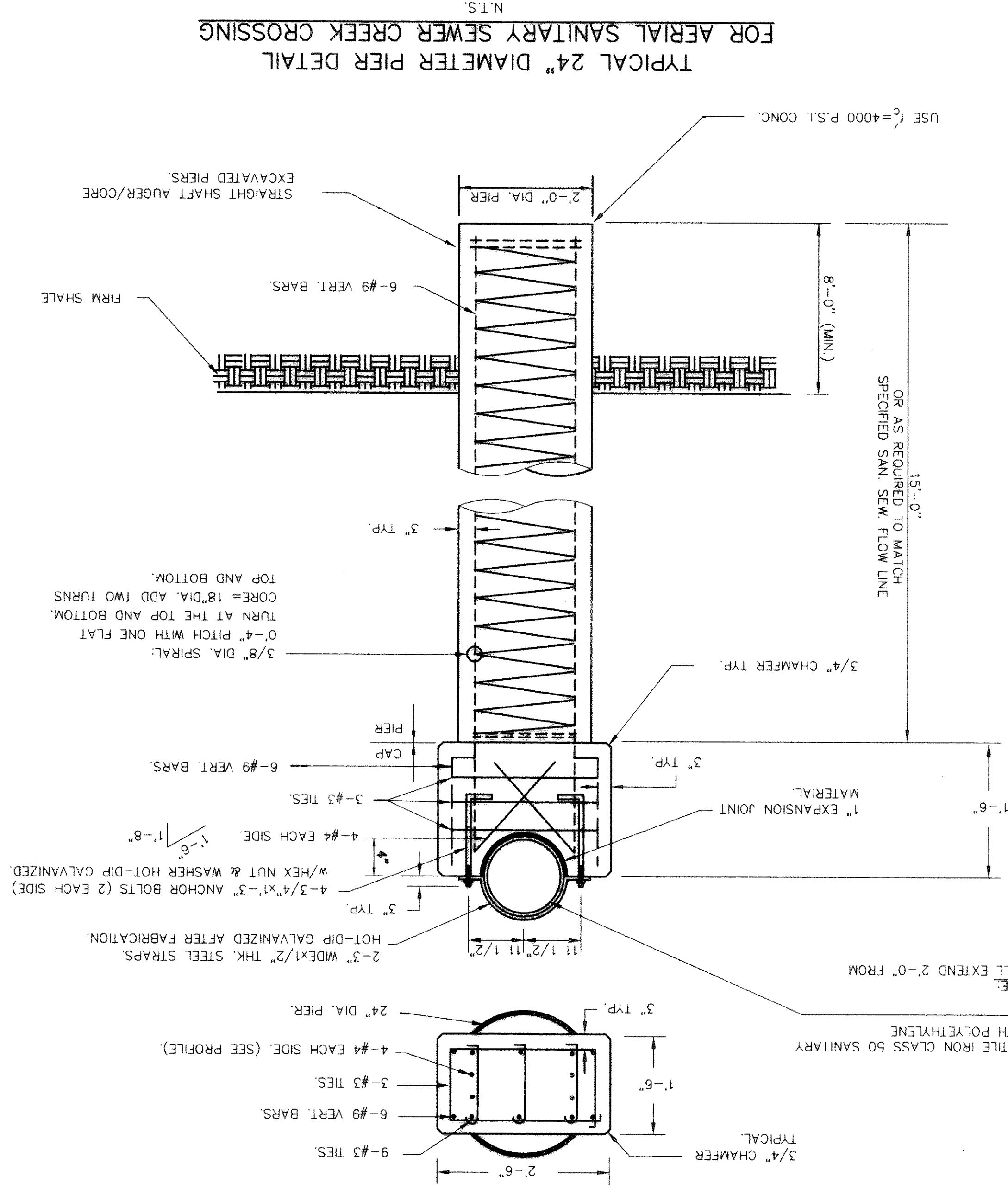
N.T.S.  
MATERIALS SHALL CONFORM TO THE SPECIAL PROVISIONS AND/OR THE STANDARD SPECIFICATIONS

**BANK PROTECTION (TYP)**



PIPE COUPLINGS SHALL BE PLACED A MAXIMUM OF 5 FEET FROM CENTERLINE OF PIPES

N.T.S.



**TYPICAL 24" DIAMETER PIER DETAIL FOR AERIAL SANITARY SEWER CREEK CROSSING**

N.T.S.

**BUFFALO CREEK  
10 INCH SANITARY SEWER EXTENSION  
ROCKWALL COUNTY, TEXAS**

**DUPHRETE & ASSOCIATES**  
ENGINEERING - SURVEYING - CONSTRUCTION MANAGEMENT  
P.O. BOX 1886 ROCKWALL, TEXAS 75087  
PHONE: (972)771-9004 FAX: (972)771-9005

THE SEAL APPEARING ON THIS DRAWING IS THE PROPERTY OF THE BOARD OF PROFESSIONAL ENGINEERS AND SURVEYORS OF THE STATE OF TEXAS. IT IS TO BE USED ONLY ON THIS DRAWING AND IS NOT TO BE REPRODUCED OR COPIED IN ANY MANNER WITHOUT THE WRITTEN PERMISSION OF THE BOARD.

