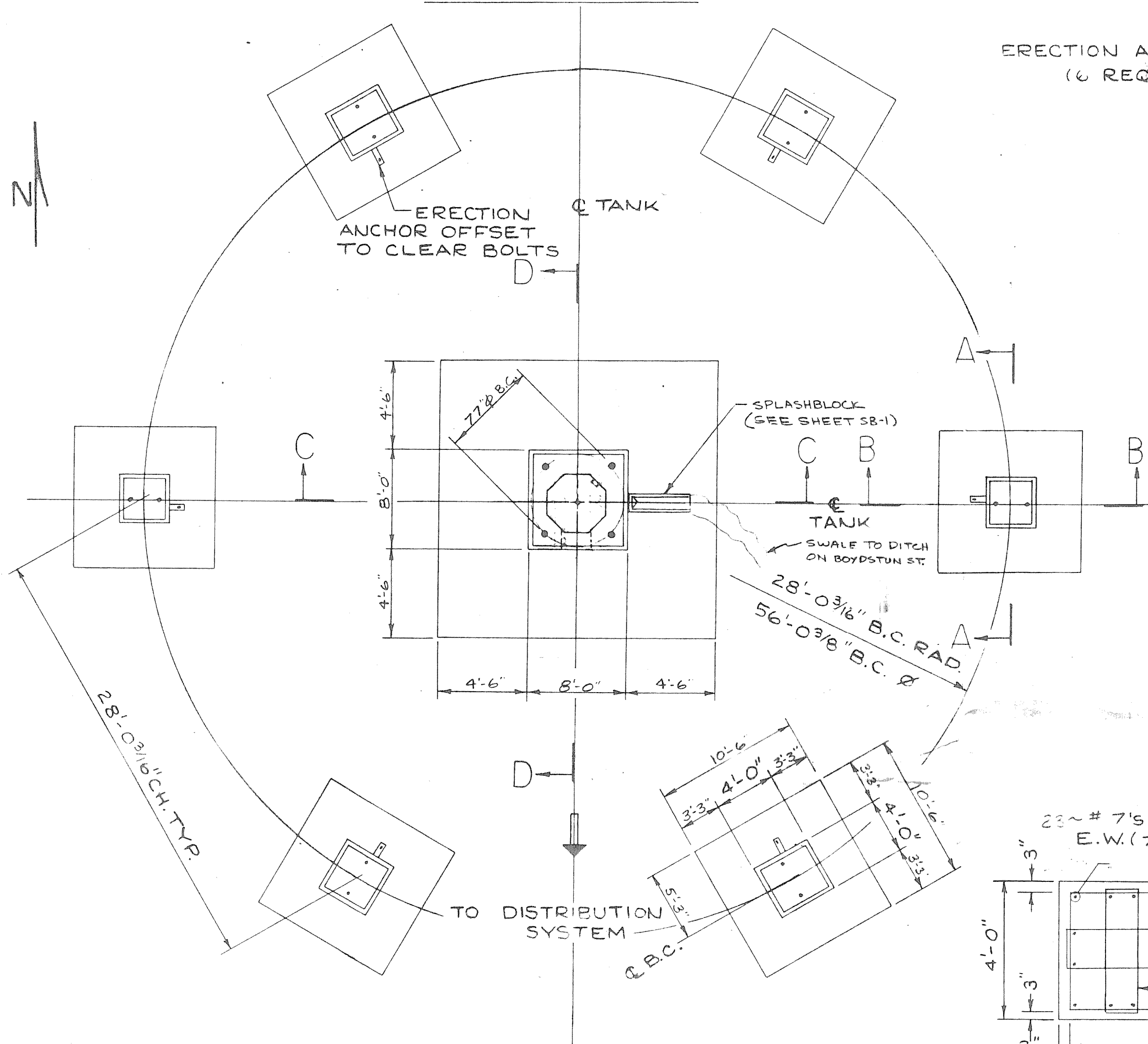


GENERAL PLAN

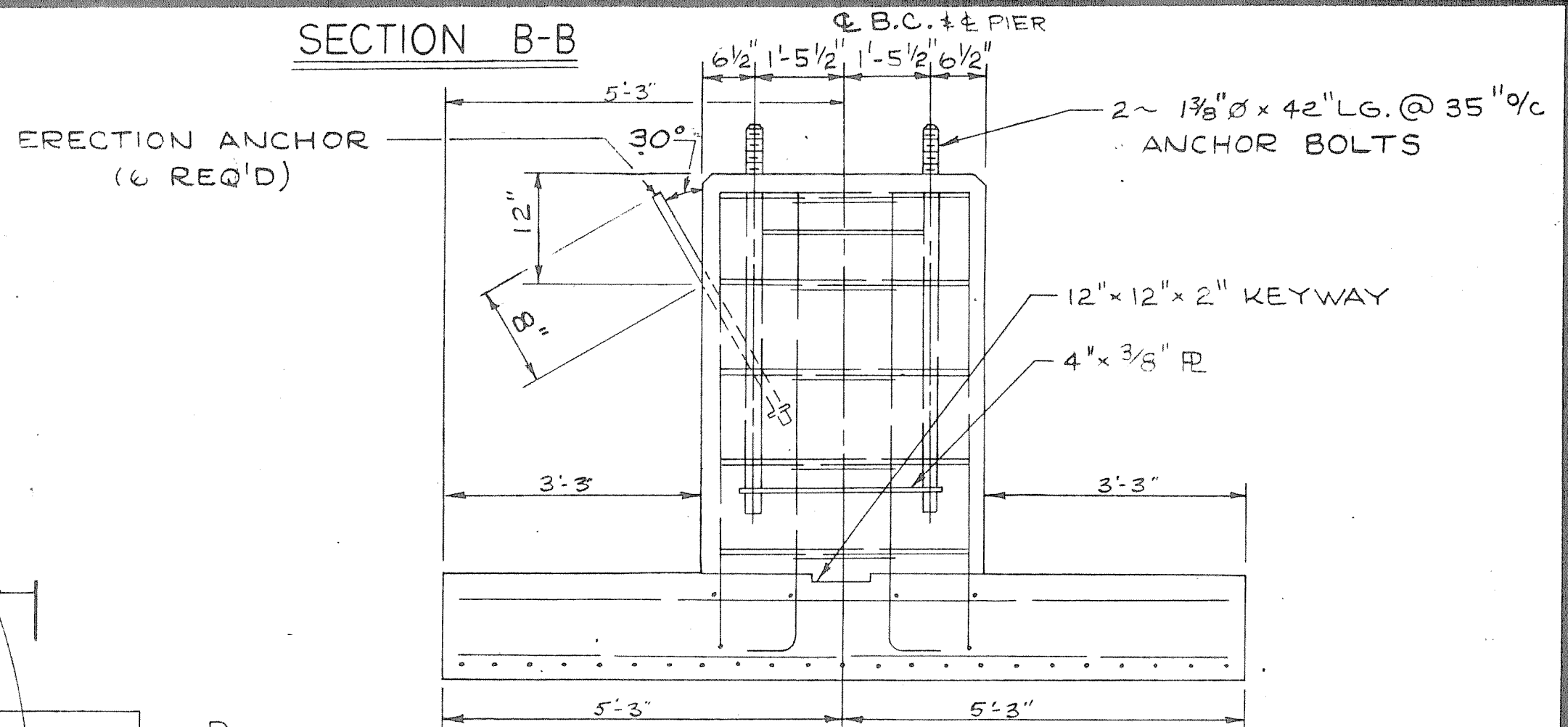


GENERAL NOTES

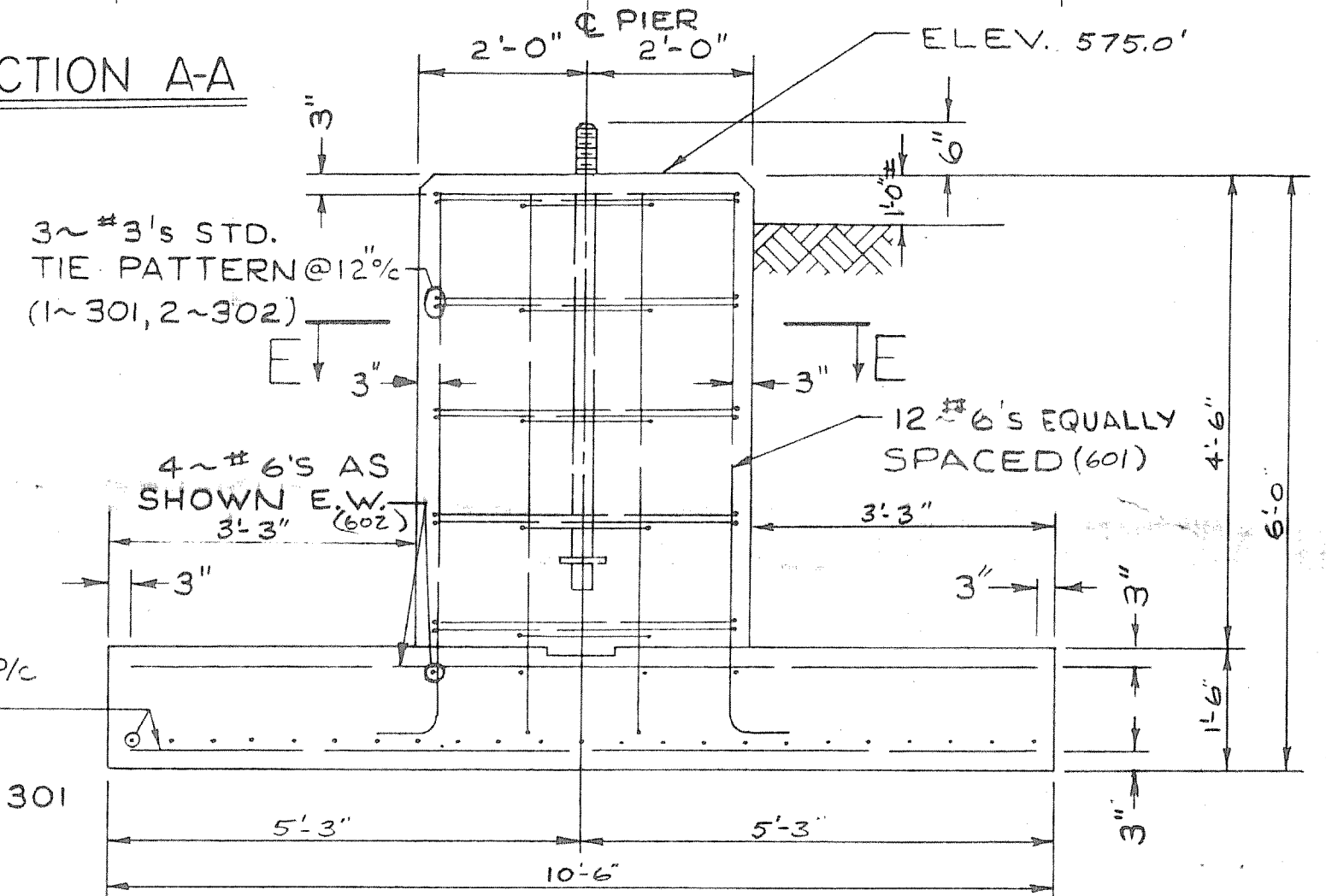
- FOUNDATIONS ARE DESIGNED FOR AN ALLOWABLE SOIL BEARING PRESSURE OF 5000 AT 5' - 0" BELOW EXISTING GRADE. ----- ANY CHANGE IN THIS REQUIREMENT SHALL BE CAUSE FOR REDESIGN OF THE FOUNDATIONS.
- CONCRETE FOUNDATION SHALL BE BUILT OF CEMENT CONFORMING TO A.S.T.M. SPECIFICATION C-150, TYPE 1. ----- CONCRETE SHALL HAVE A MINIMUM COMPRESSIVE STRENGTH OF 3500 AT 28 DAYS AFTER POURING. THE FOUNDATION PIERS SHALL HAVE A RUBBED FINISH TO A POINT 6" BELOW GRADE. ANY VOIDS EXPOSED WHEN FORMS ARE REMOVED SHALL BE FILLED WITH A GROUT MIXTURE. ALL EXPOSED FACINGS SHALL HAVE 2" CHAMFER. MINIMUM CEMENT CONTENT 6 BAGS/YD³
- REINFORCING STEEL SHALL CONFORM TO THE LATEST A.S.T.M. A-615 GR. 40 ----- ALL BARS SHALL CLEAR ALL OPENINGS.
- ANCHOR BOLTS SHALL BE SET VERTICAL.
- ENGINEER TO ORIENT CENTER PIER.
- SOIL BEARING PRESSURE WAS ESTABLISHED BY AN INDEPENDENT SOILS LABORATORY.

NOTE: FENCE, GRADING, AND SODDING ARE TO BE INSTALLED IN ACCORDANCE WITH PLANS AND SPECIFICATIONS AS PREPARED BY FREESE AND NICHOLS.

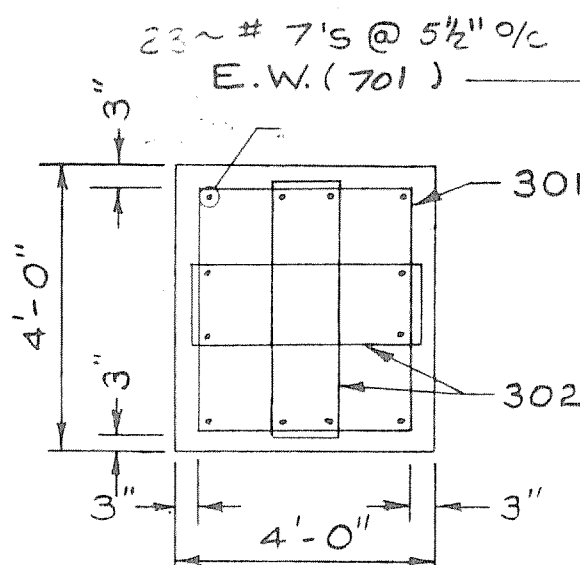
SECTION B-B



SECTION A-A



COLUMN PIER (6 REQ'D)



SECTION E-E

NO.	DATE	BY	REVISION
UNIVERSAL TANK & IRON WORKS, INC.			
INDIANAPOLIS, INDIANA		↔	ENNIS, TEXAS
ENGINEER APPROVAL			FOUNDATION DRAWING 500,000 GAL. 56'-0" DIA.
FOR: ROCKWALL, TX.			
DATE: 24 MAY 78		SCALE: NONE	
DRWN BY: DB/V.L.R.		CHECKED: EUB	
JOB NO: 6544		SHEET F1 OF F2	