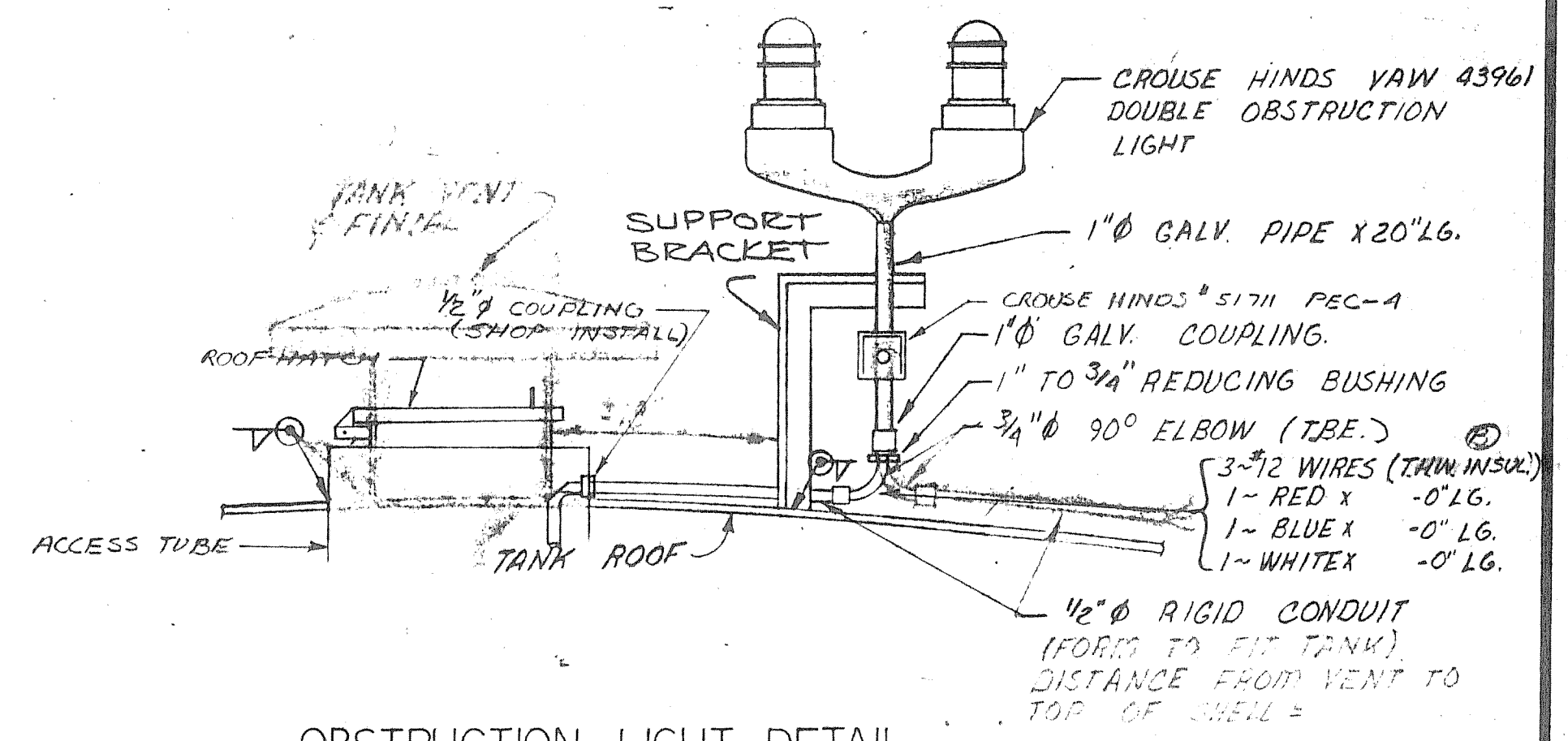
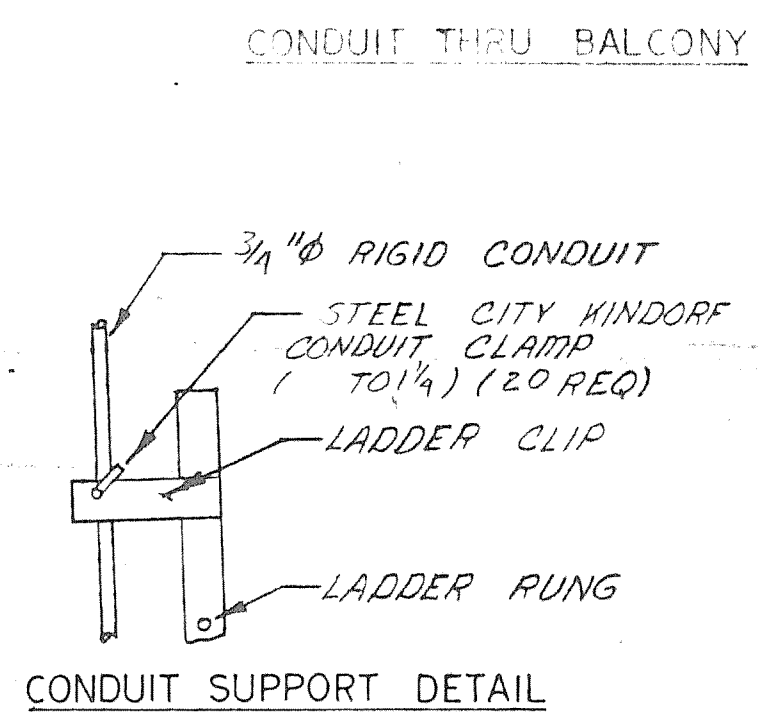


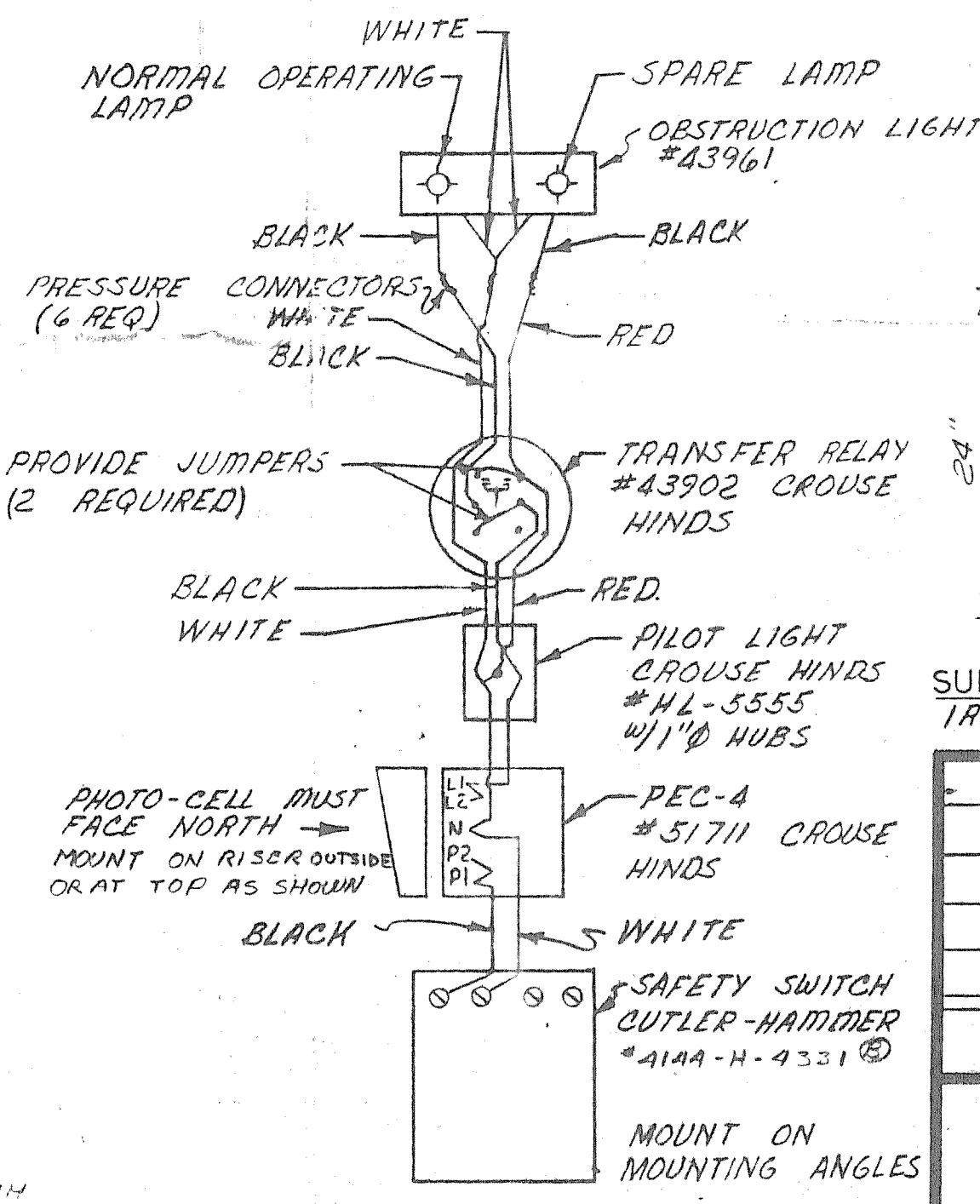
ELEVATION



OBSTRUCTION LIGHT DETAIL



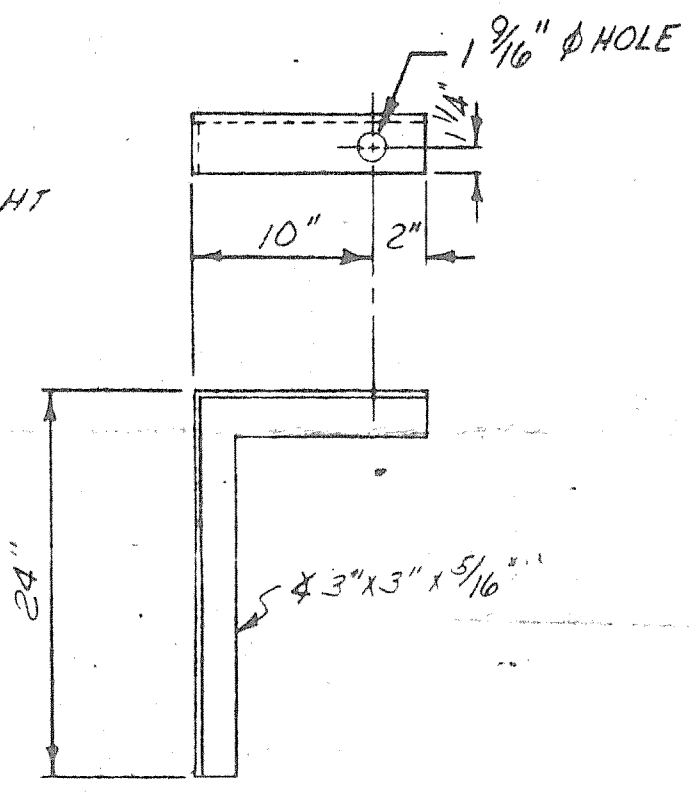
CONDUIT SUPPORT DETAIL



WIRING DIAGRAM

115 VOLT SERVICE
PROVIDE JUMPERS WHERE NECESSARY

NOTE: ITEMS NOTED w/ PRODUCT NAMES ARE REQUIRED



SUPPORT BRACKET
1 REQ (FIELD INSTALLED BY UT&I)

NO.	DATE	BY	REVISION
①	B-15-78	①	REVISED ITEMS NOTED

UNIVERSAL TANK & IRON WORKS, INC.
INDIANAPOLIS, INDIANA

ENGINEER APPROVAL

ELECTRICAL DETAILS
DOUBLE OBSTRUCTION LIGHT

FOR:
ROCKWALL, TX.

DATE: 4-25-78	SCALE: NONE
DRWN BY: KLM/①	CHECKED: V.L.R.
JOB NO: 6544	SHEET E ₁ OF E ₃

ALL ELECTRICAL WORK IS TO BE PERFORMED BY UT&I.
SUBCONTRACTOR IN ACCORDANCE w/ PLANS & SPECS AS
PREPARED BY: FREESE, NICHOLS, INC.

APPROVED
 NOT APPROVED - REVISE AND RESUBMIT
 CHECKED FOR GENERAL CONFORMANCE WITH PLANS AND SPECIFICATIONS. VERIFY ALL DIMENSIONS AND QUANTITIES. ALL CONDUIT EQUIPMENT ASSEMBLY AND WORK OF ALL TRADES. NO DEVIATION FROM PLANS AND SPECIFICATIONS PERMITTED UNLESS SPECIFICALLY NOTED.
 FREESE AND NICHOLS
 CONSULTING ENGINEERS
 BY: [Signature] DATE: 4-25-78