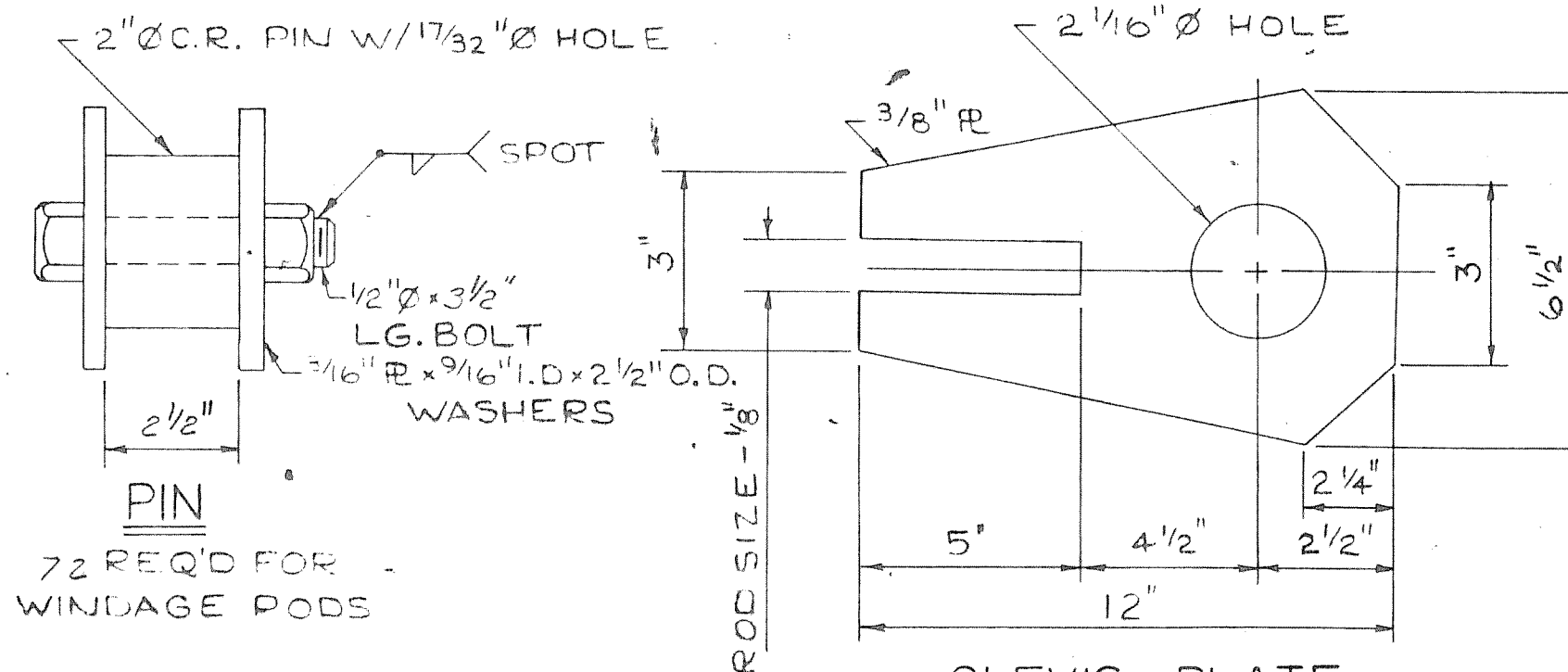
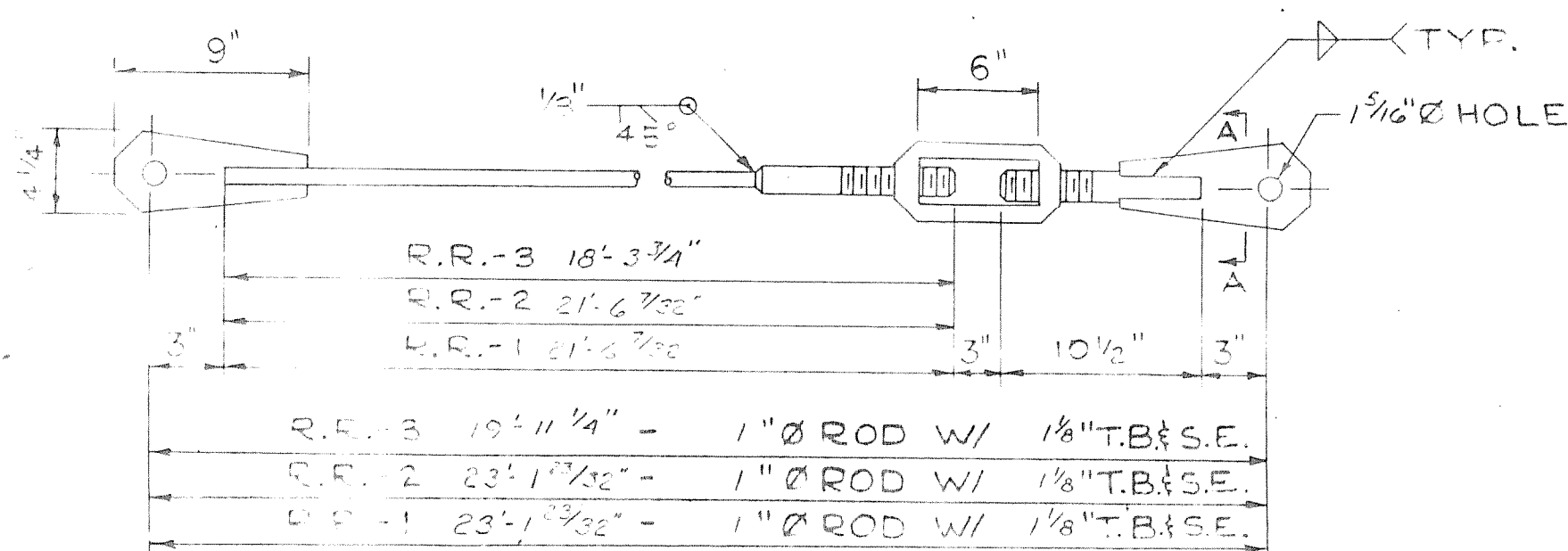


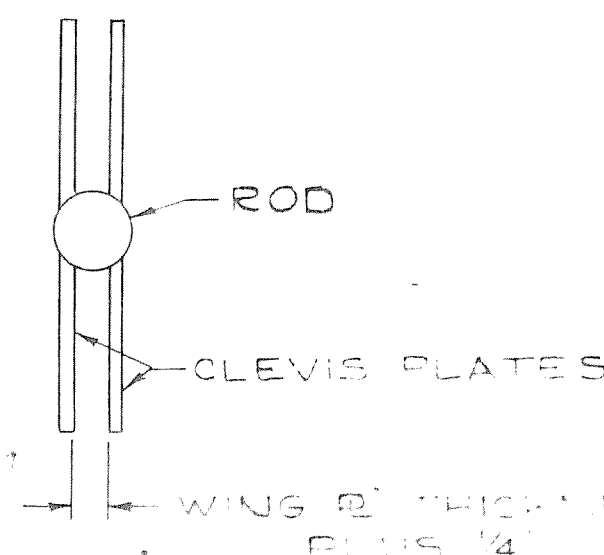
WINDAGE RODS
 12 EA. REQ'D



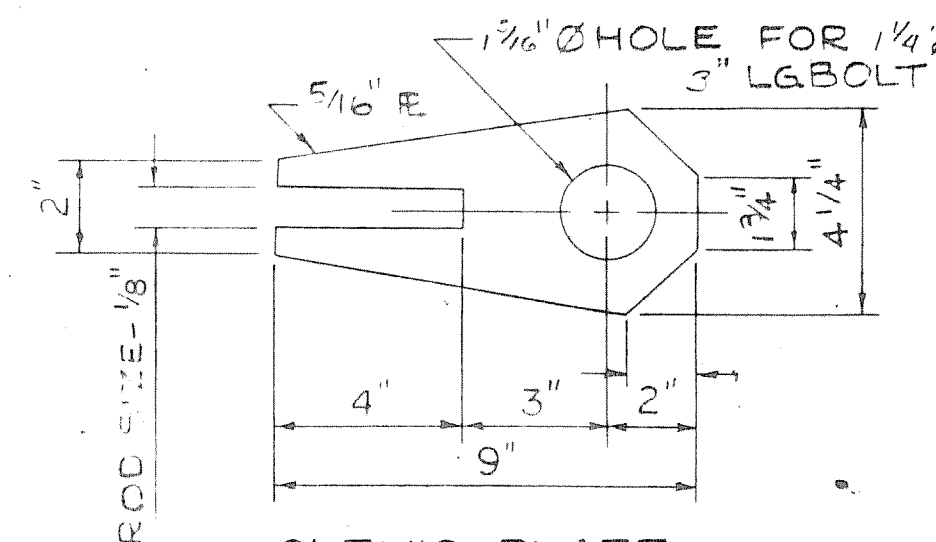
CLEVIS PLATE
 144 REQ'D FOR WINDAGE RODS



RISER RODS
 6 EA. REQ'D

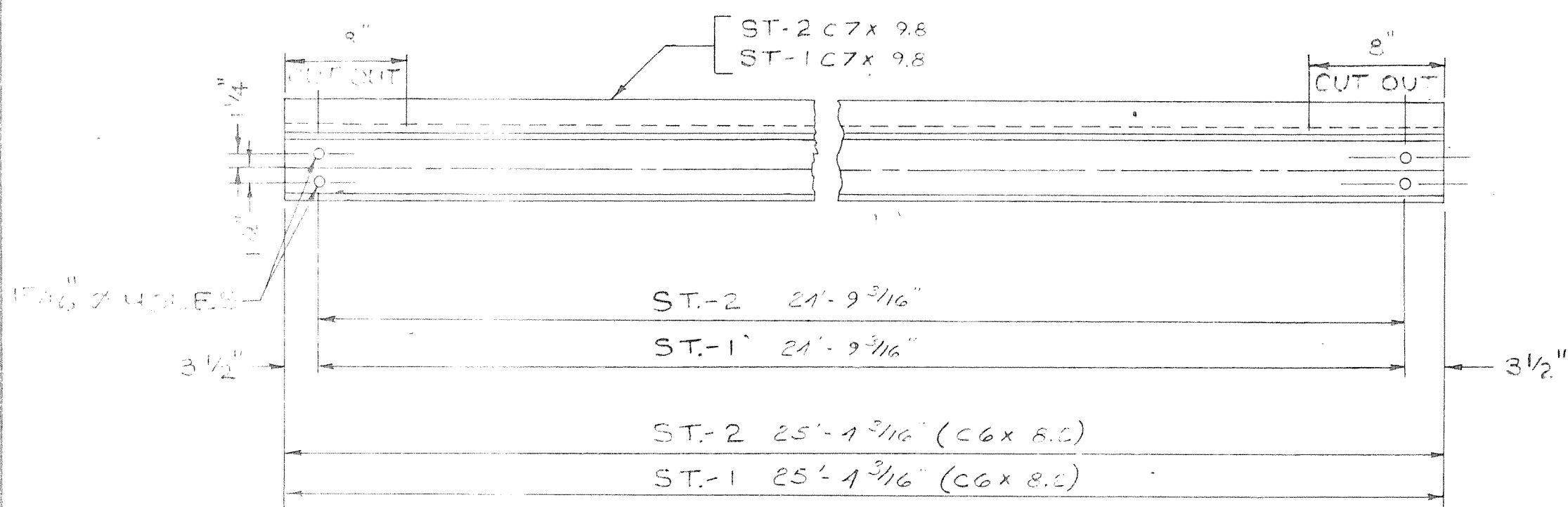


SECTION A-A

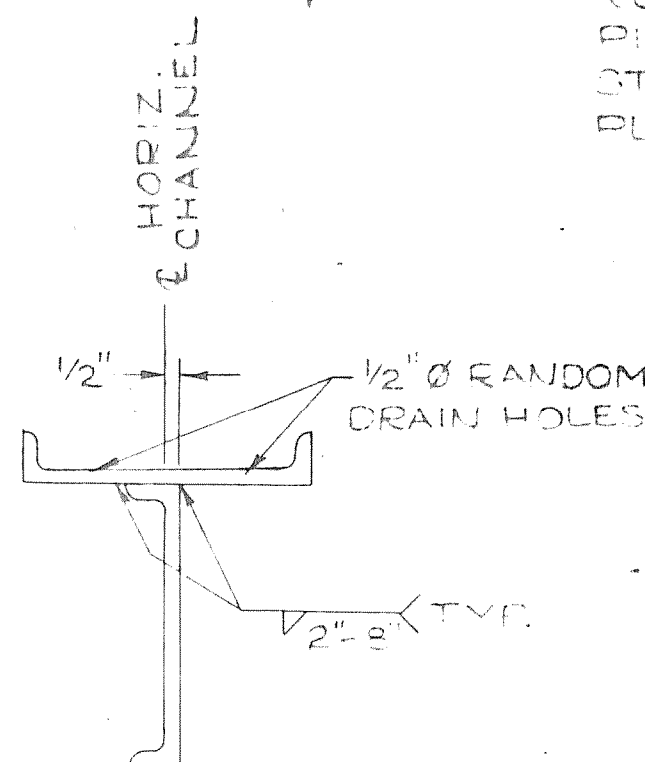


CLEVIS PLATE
 72 REQ'D FOR RISER RODS

MATERIALS:
 RODS - A.S.T.M. A-36
 PINS - A.S.T.M. A-36
 STRUTS - A.S.T.M. A-36
 PLATES - A.S.T.M. A-283 GR-C



STRUT
 6 EA. REQ'D



STRUT END VIEW

NO.	DATE	BY	REVISION

UNIVERSAL TANK & IRON WORKS, INC.
 INDIANAPOLIS, INDIANA ↔ ENNIS, TEXAS

ENGINEER APPROVAL
 APPROVED APPROVED AS CORRECTED
 NOT APPROVED - REUSE AND RESUBMIT
 CHECKED BY: [Signature]
 REESE AND NICHOLS CONSULTING ENGINEERS
 BY: [Signature] DATE: 6-2-78

TOWER BRACING DETAILS
 500,000 GAL. 119'-0" TO HWL

FOR: **ROCKWALL, TX.**
 DATE: 4-25-78 SCALE: NONE
 DRWN BY: [Signature] CHECKED: V.L.R.
 JOB NO: 65-14 SHEET 3 OF 9