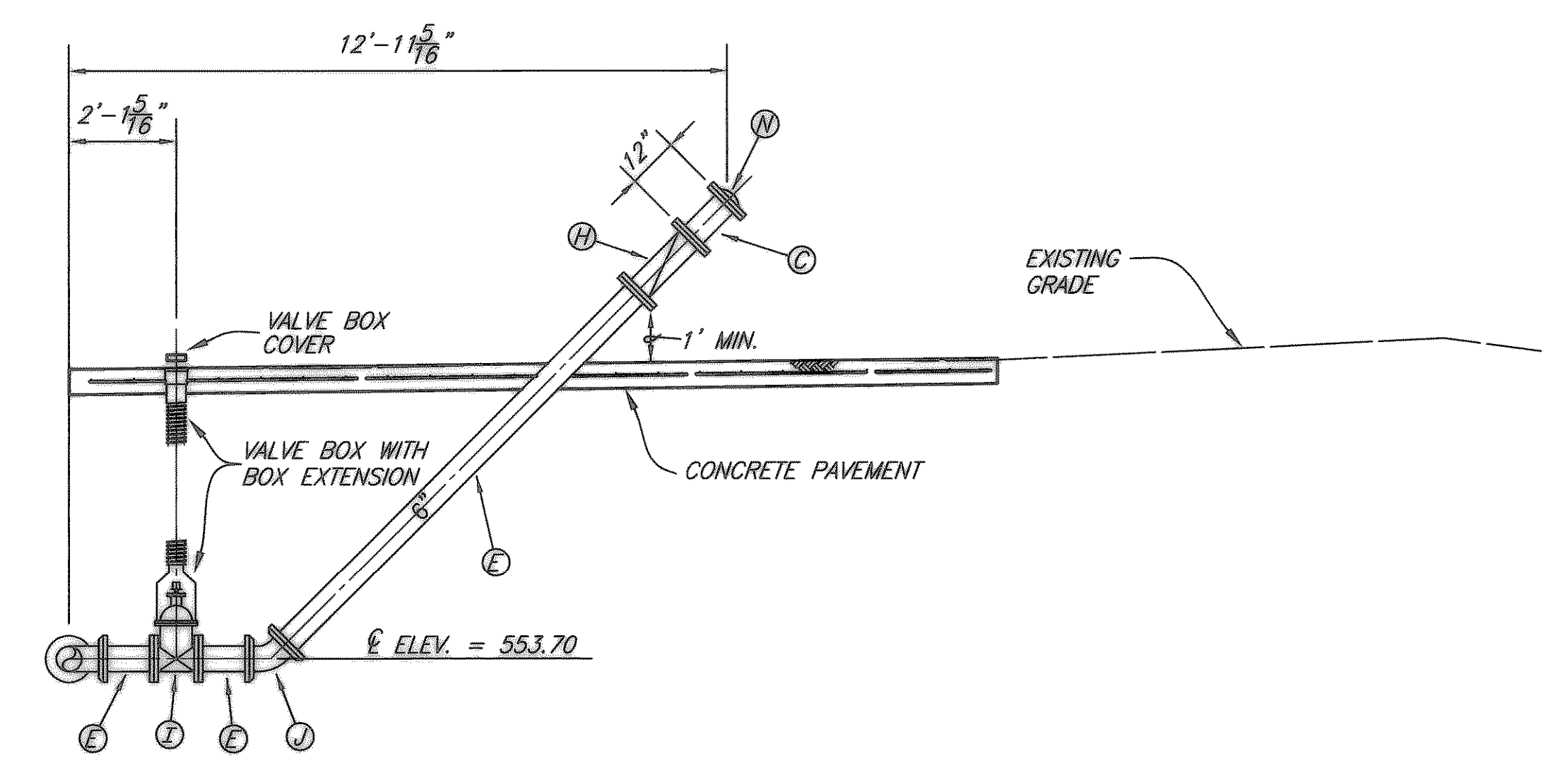
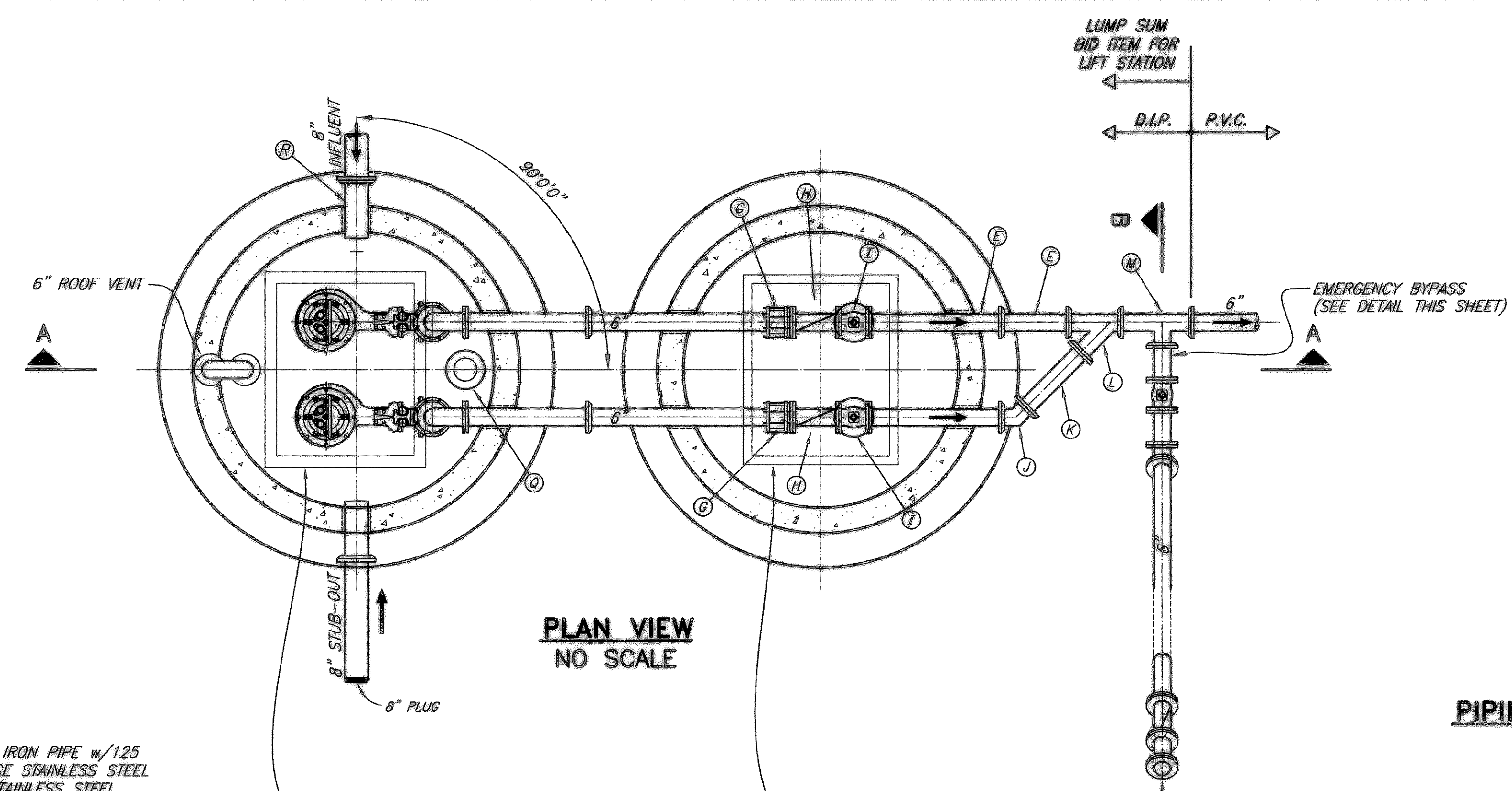
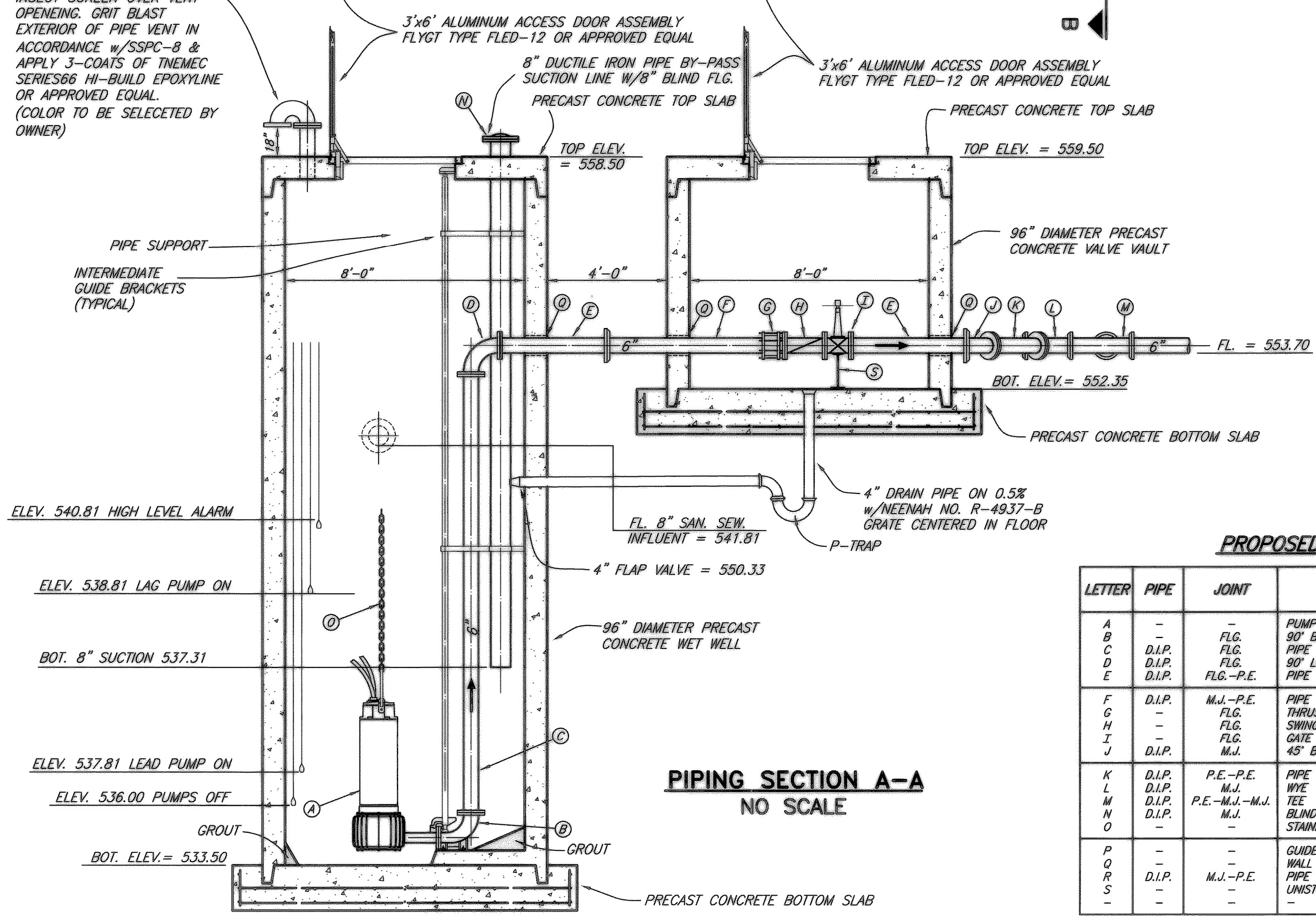


XREF: ROCKWALL_2002104_PROFILES
 XREF: ROCKWALL_2002104_BASE_TPO-BASE
 H: ROCKWALL_2002104_SHEETS_2002104-SS15-LSI.DWG
 09/14/04 KAB



6" DUCTILE IRON PIPE w/125 P.S.I. FLANGE STAINLESS STEEL BOLTS & STAINLESS STEEL INSECT SCREEN OVER VENT OPENING. GRIT BLAST EXTERIOR OF PIPE VENT IN ACCORDANCE w/SSPC-B & APPLY 3-COATS OF TNEC SERIES66 HI-BUILD EPOXYLINE OR APPROVED EQUAL. (COLOR TO BE SELECETED BY OWNER)



ELEV. 540.81 HIGH LEVEL ALARM
 ELEV. 538.81 LAG PUMP ON
 BOT. 8" SUCTION 537.31
 ELEV. 537.81 LEAD PUMP ON
 ELEV. 536.00 PUMPS OFF
 BOT. ELEV. = 533.50

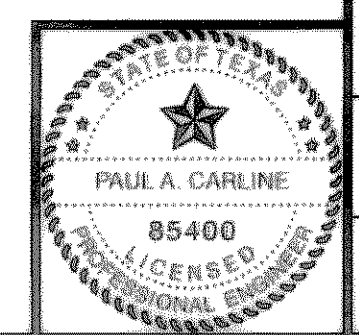
This record drawing is a compilation of the sealed engineering drawing for this project; modified by addenda, change orders and information furnished by the contractor. The information shown on the record drawings that was provided by the contractor or others not associated with the design engineer cannot be verified for accuracy or completeness. This original sealed drawings are on file at the offices of Birkhoff, Hendricks & Conway, L.L.P.

BY PAC DATE 1/19/07

PROPOSED LEGEND

LETTER	PIPE	JOINT	DESCRIPTION
A	-	-	PUMP W/ MOTOR
B	-	FLG.	90° BEND (BY PUMP MFG.)
C	D.I.P.	FLG.	PIPE SPOOL
D	D.I.P.	FLG.	90° LONG RADIUS BEND
E	D.I.P.	FLG.-P.E.	PIPE SPOOL
F	D.I.P.	M.J.-P.E.	PIPE SPOOL
G	-	FLG.	THRUST HARNESS
H	-	FLG.	SWING CHECK VALVE W/ LEVER & WEIGHT
I	-	FLG.	GATE VALVE (WHEEL OPERATED)
J	D.I.P.	M.J.	45° BEND
K	D.I.P.	P.E.-P.E.	PIPE SPOOL
L	D.I.P.	M.J.	WYE
M	D.I.P.	P.E.-M.J.-M.J.	TEE
N	D.I.P.	M.J.	BLIND FLANGE
O	-	-	STAINLESS STEEL LIFTING CHAIN
P	-	-	GUIDE BAR
Q	-	-	WALL PIPE
R	D.I.P.	M.J.-P.E.	PIPE SPOOL
S	-	-	UNISTRUT PIPE SUPPORT

THESE DOCUMENTS ARE FOR BIDDING, CONSTRUCTION, AND PERMIT PURPOSES.
 DATE: 9/14/04



CITY OF ROCKWALL, TEXAS
AMITY LANE SAN. SEW. IMPROVEMENTS
INDIAN TRAIL LIFT STATION

BIRKHOFF, HENDRICKS & CONWAY, L.L.P.
 CONSULTING ENGINEERS
 Dallas, Texas

DESIGNED BY: P.A.C. PROJECT: 2002-104 SHEET NO. 16
 DRAWN BY: R.J.L. DATE: SEPTEMBER, 2004 OF 19 SHEETS

These plans and related specifications were prepared for construction of this specific project only. Reuse of these documents is not permitted without written authorization of Birkhoff, Hendricks, & Conway, L.L.P.