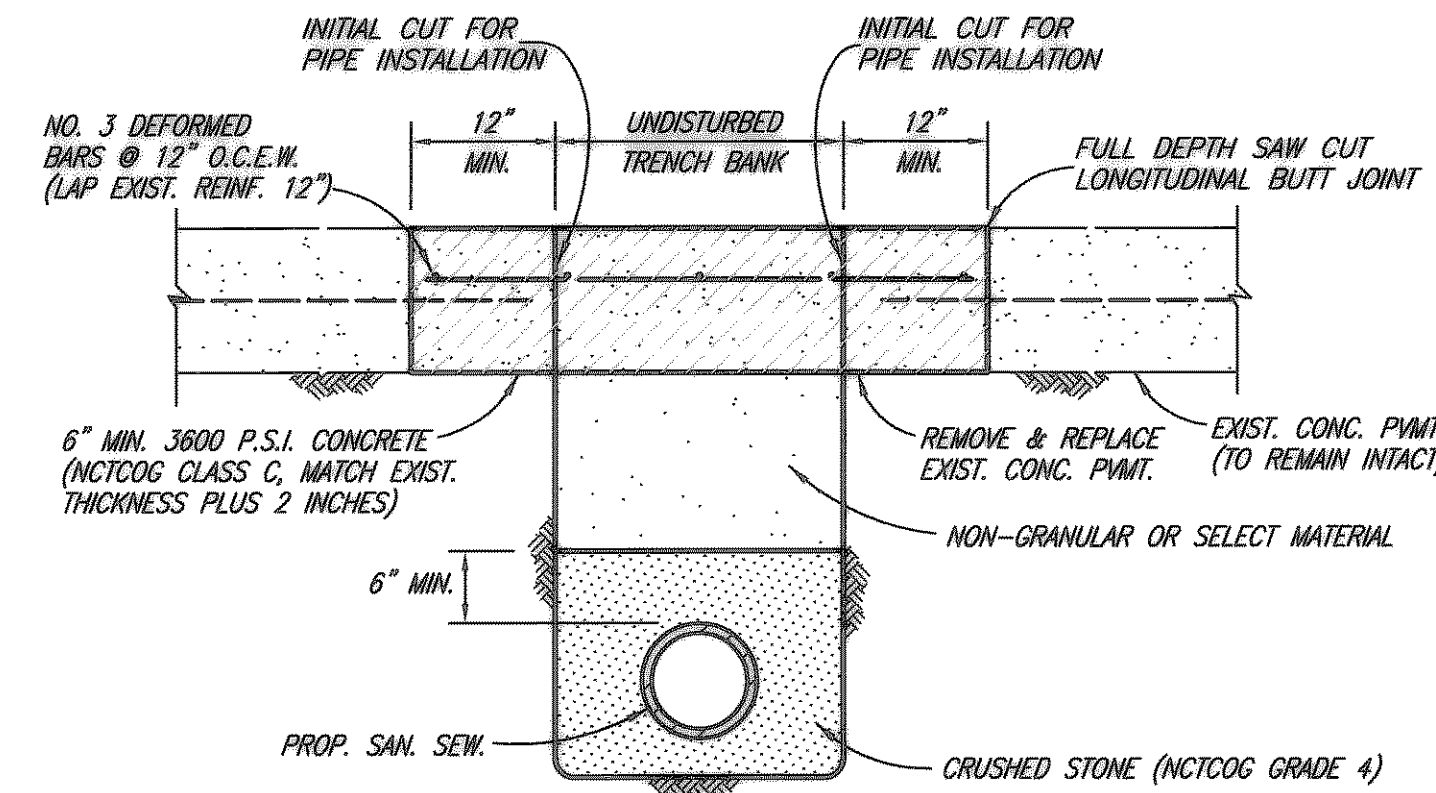
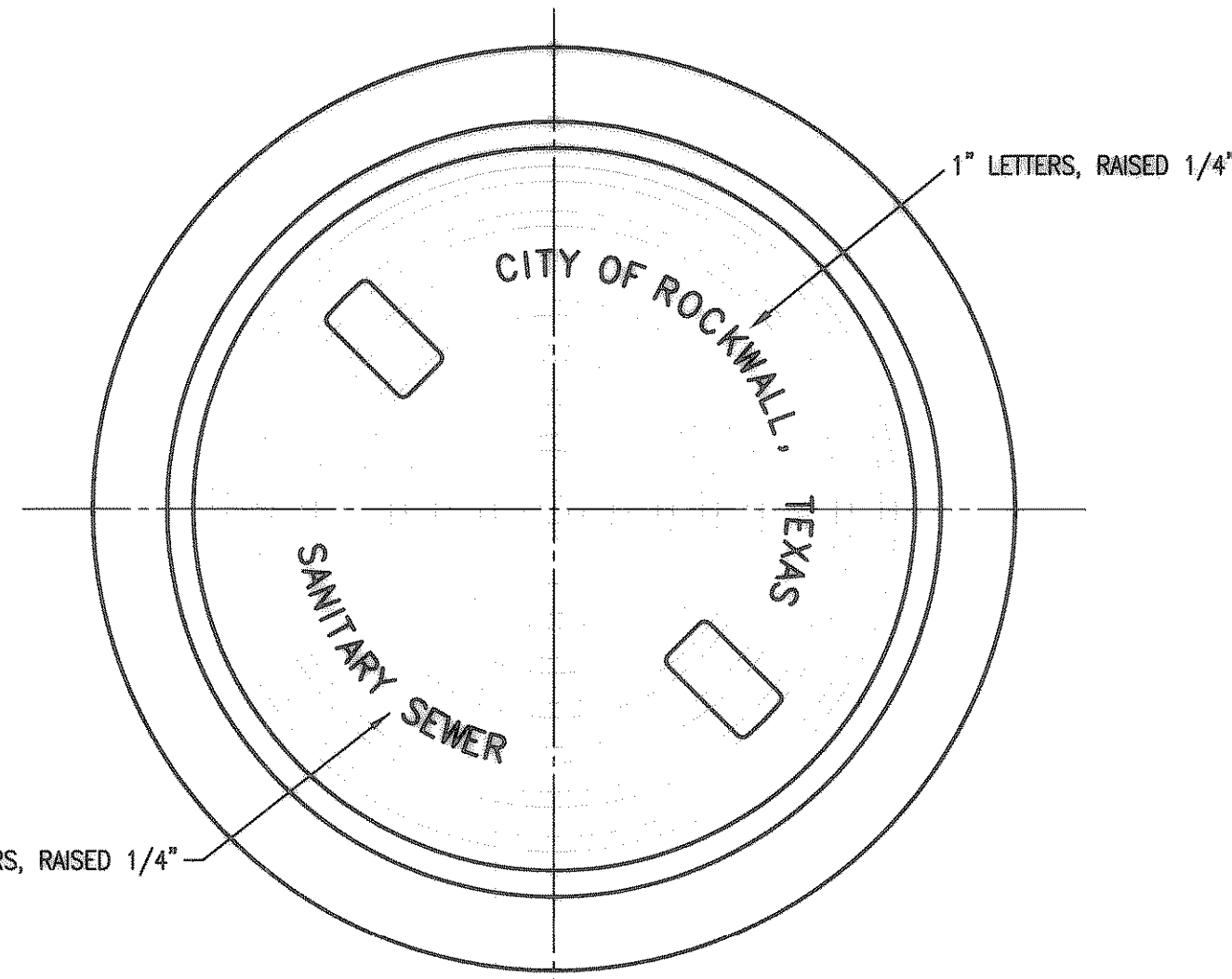
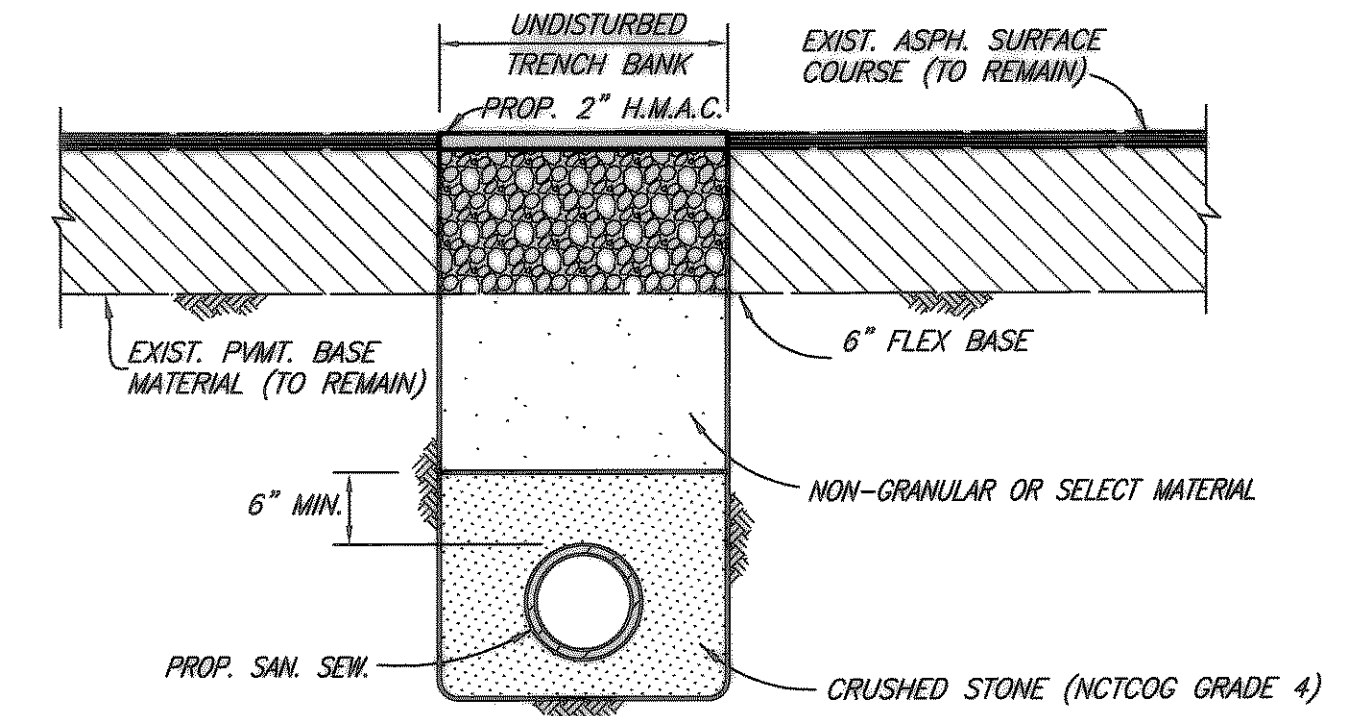


STANDARD SEWER NOTES

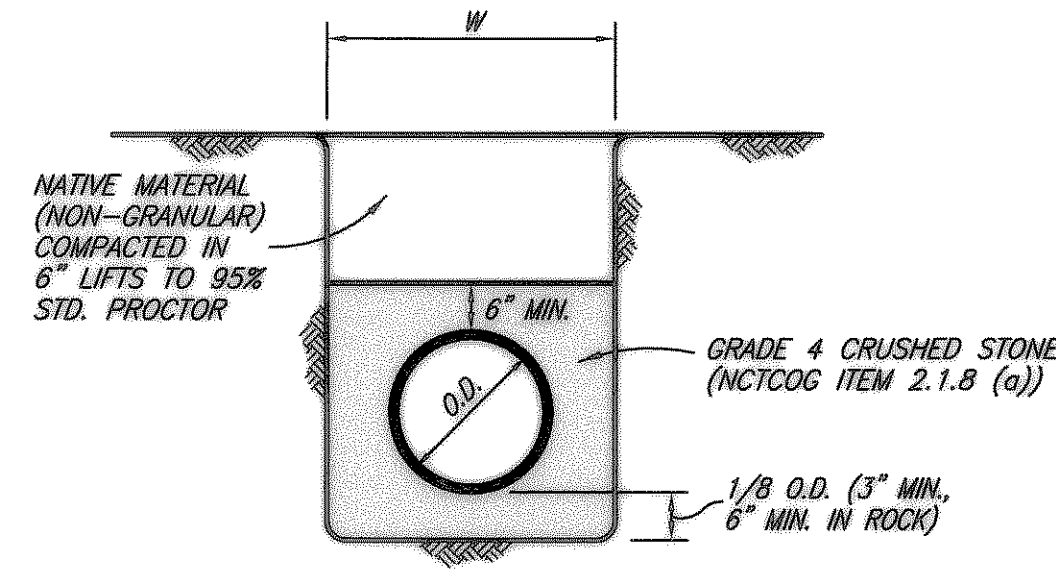
- SEWER LINES SHALL BE CONSTRUCTED IN ACCORDANCE WITH THE CURRENT CITY OF ROCKWALL, SPECIFICATIONS AND CODES.
- FOR OPEN CUT SEWER REPLACEMENT, DETECTABLE TRACER (TERRA TAPE OR APPROVED EQUIVALENT) SHALL BE LAID WITH PVC PIPE AND CONNECTED TO ALL FITTINGS. TAPE SHALL BE LAID 6" ABOVE THE TOP OF PIPE, THE BACKFILL MATERIAL, OR ON TOP OF SAND BACKFILL.
- SANITARY SEWER PIPE SHALL BE SDR-35 PVC UNLESS OTHERWISE SHOWN ON THE PLANS OR APPROVED BY THE CITY ENGINEER. IN SIZES OVER 15" IN DIAMETER, THE TYPE OF MATERIAL SHALL BE AS SPECIFIED IN THE PLANS.
- MANHOLE FRAMES AND 24" DIAMETER COVER WITH THE "CITY OF ROCKWALL" AS MANUFACTURED BY THE VULCAN FOUNDRY, INC.—CATALOG NO. V-1342, BASS AND HAYS FOUNDRY—CATALOG NO. 300-24, OR APPROVED EQUAL SHALL BE FURNISHED FOR ALL SANITARY SEWER MANHOLES. THIS FRAME AND COVER IS STOCKED BY SEVERAL SUPPLIERS IN THIS AREA.
- CLASS "C" CONC. (3600 PSI AT 28 DAYS) OR PRECAST REINF. CONC. SHALL BE USED FOR ALL MANHOLES.
- USE ONLY A NON-SHEAR COUPLING FOR PIPE CONNECTIONS.
- WHEN THE TRENCH SAFETY EXCEEDS 5 FEET IN DEPTH, THE CONTRACTOR SHALL MEET OR EXCEED THE O.S.H.A. STANDARDS FOR TRENCH SAFETY.



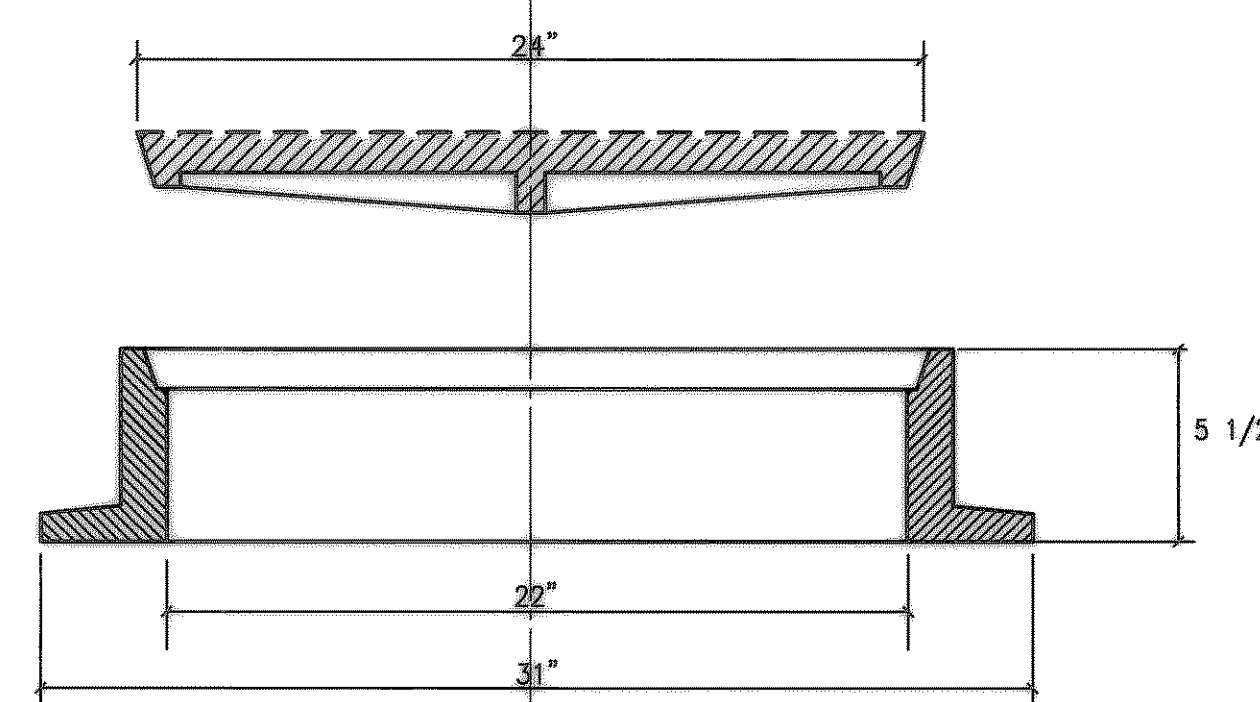
CONCRETE STREET OR DRIVEWAY REPAIR



ASPHALT STREET OR DRIVEWAY REPAIR

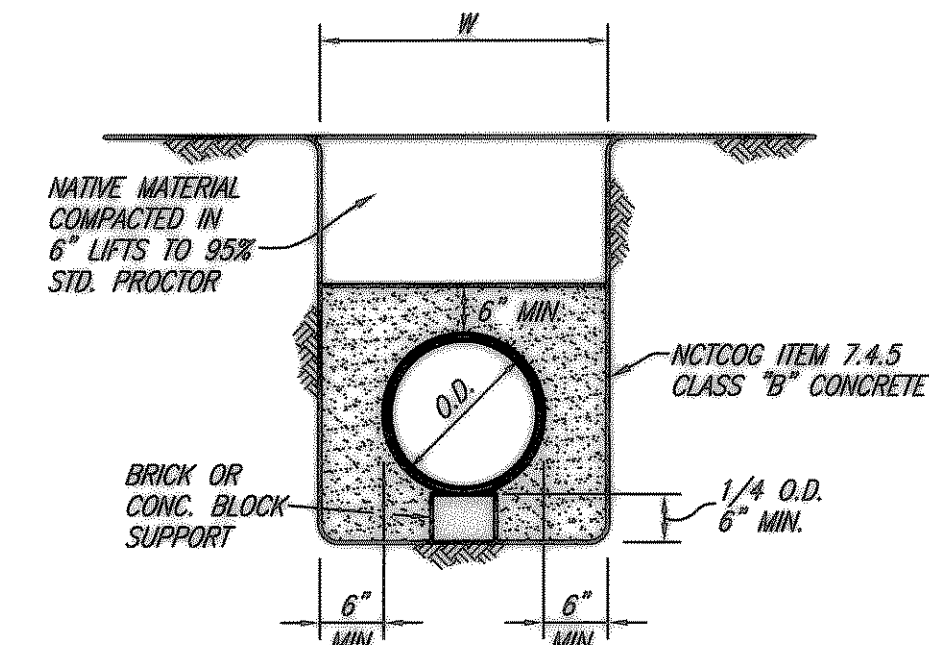


CLASS H EMBEDMENT
(GRAVITY SEWER)

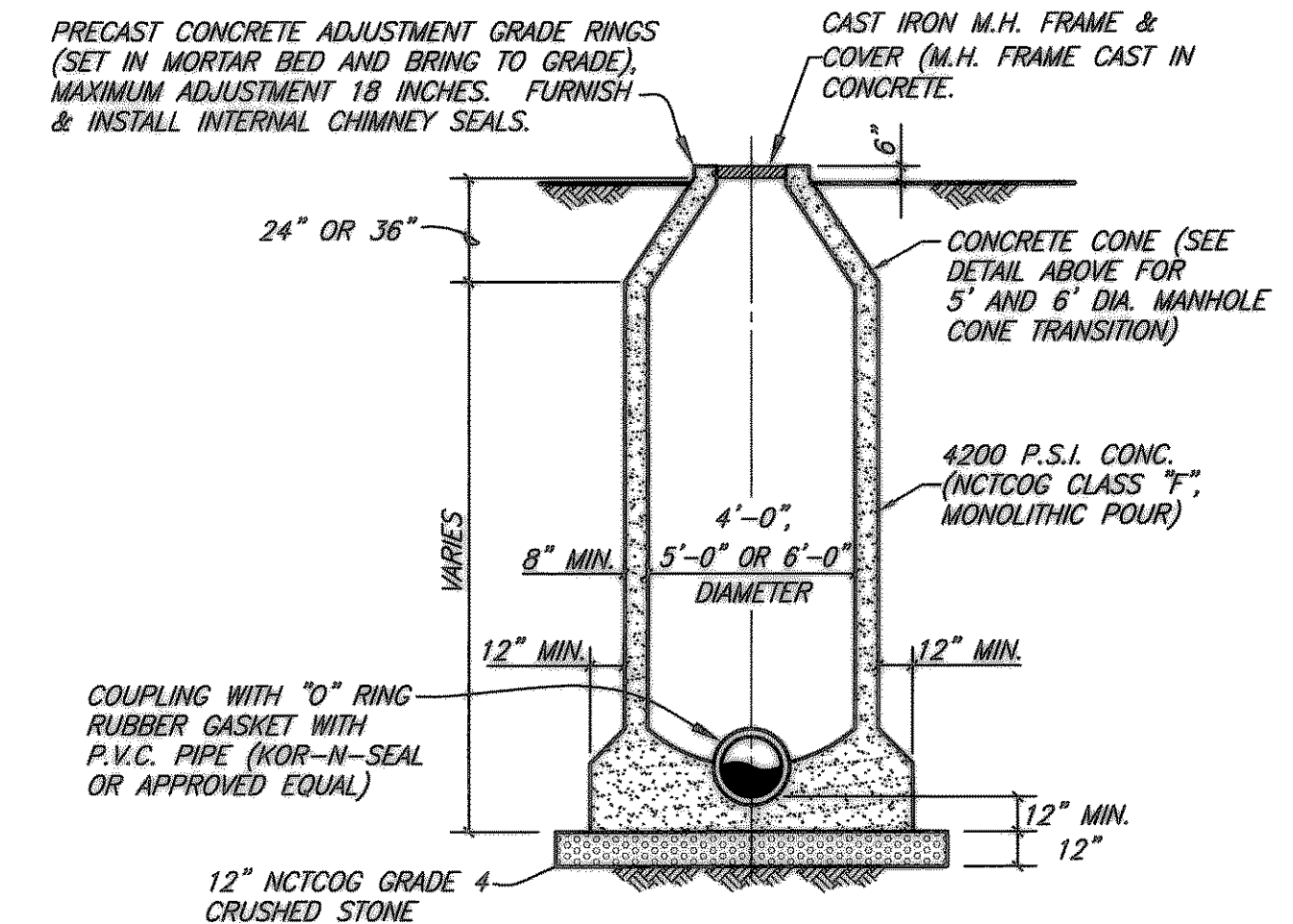


MANHOLE RING AND COVER
WITH LOCKING DEVICE & PICK SLOTS

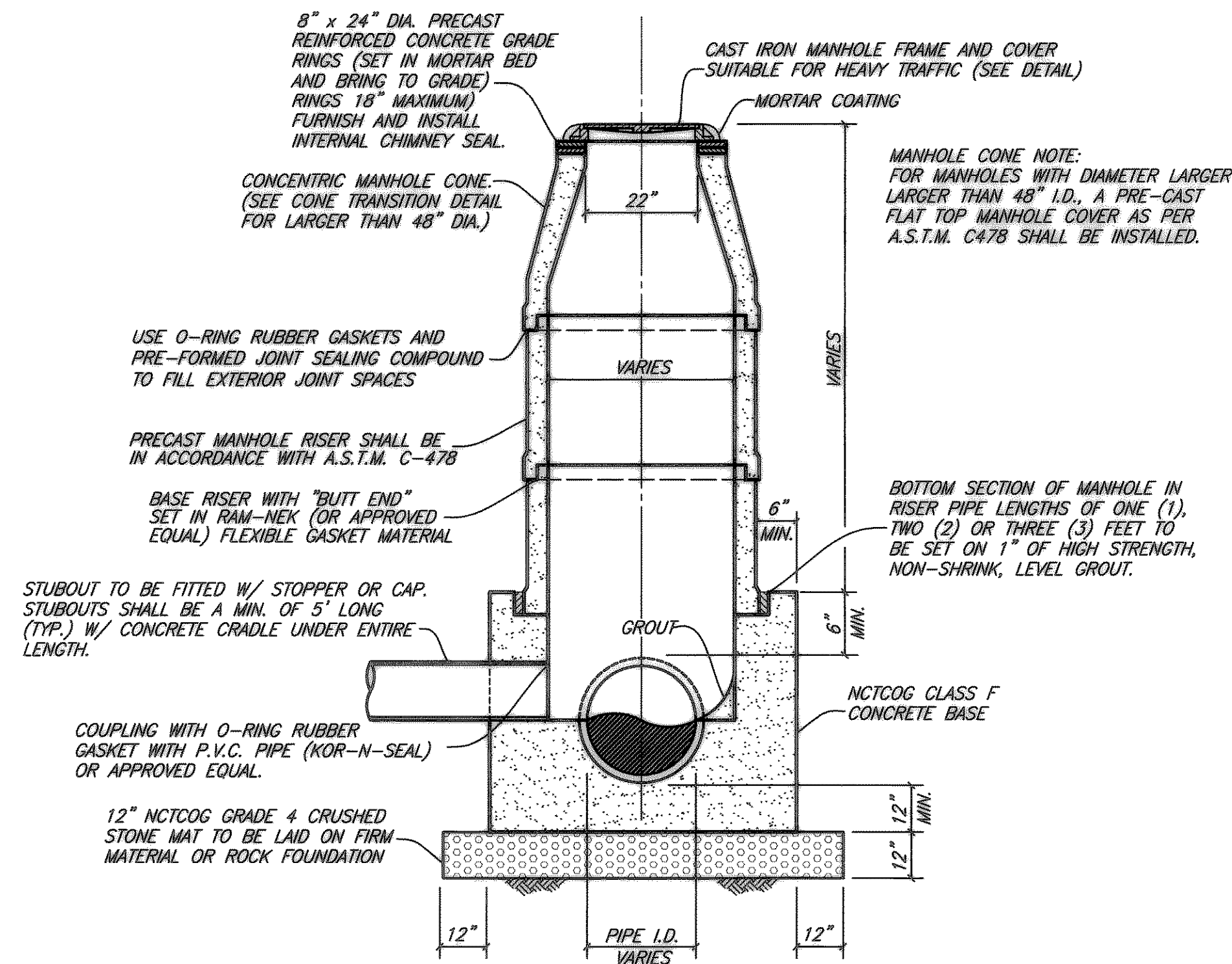
BASS AND HAYS FOUNDRY, INC.
TRAFFIC BEARING MANHOLE: 400-24
NON TRAFFIC BEARING MANHOLES: 300-24



CLASS G EMBEDMENT
CONCRETE ENCASEMENT

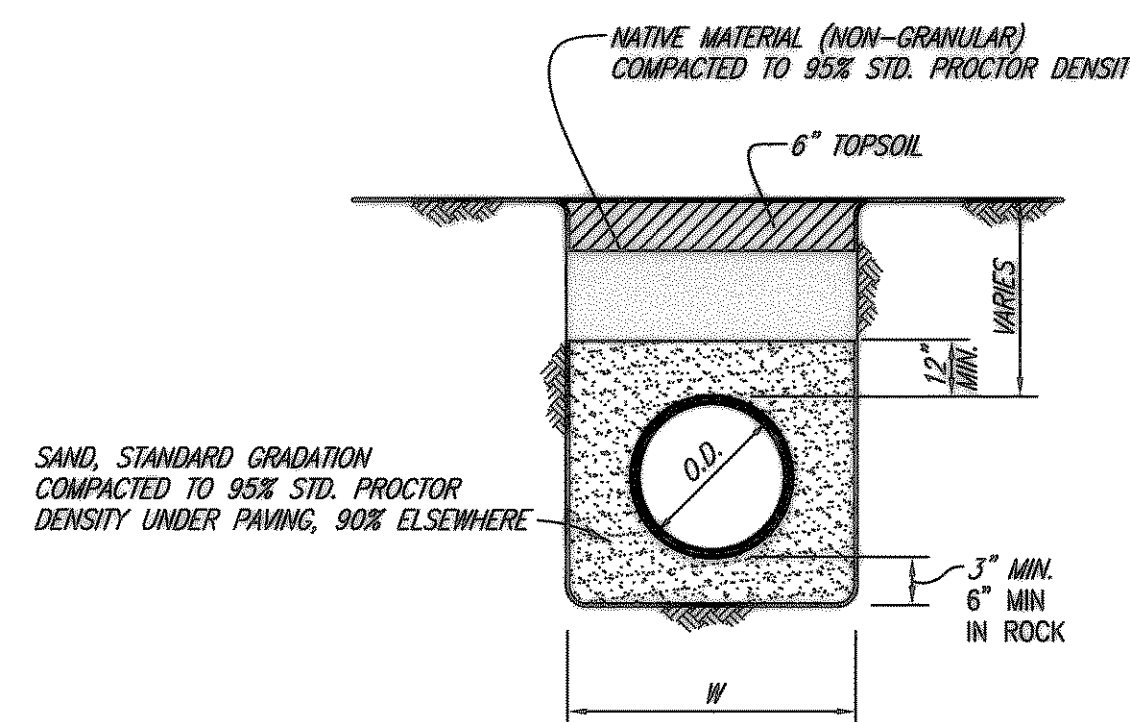


STANDARD MANHOLE ELEVATION
4', 5' & 6' DIAMETER MANHOLES

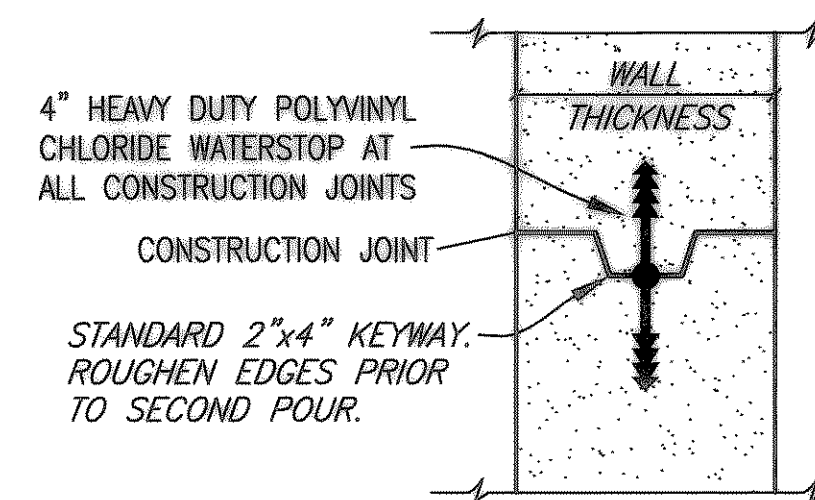


PRECAST CONCRETE MANHOLE

NOTE:
ALL JOINTS IN PRECAST MANHOLE SHALL BE SEALED ON OUTSIDE OF MANHOLE WITH AQUAGARD SHRINK SEAL.



CLASS B-3 EMBEDMENT
(PRESSURE PIPE)



MANHOLE CONSTRUCTION JOINT
KEYWAY WITH WATERSTOP

This record drawing is a compilation of the sealed engineering drawing for this project; modified by addenda, change orders and information furnished by the contractor. The information shown on the record drawings that was provided by the contractor or others not associated with the design engineer cannot be verified for accuracy or completeness. This original sealed drawings are on file at the offices of Birkhoff, Hendricks & Conway, L.L.P.

BY PAC DATE 1/19/07

These plans and related specifications were prepared for construction of this specific project only. Reuse of these documents is not permitted without written authorization of Birkhoff, Hendricks & Conway, L.L.P.

CITY OF ROCKWALL, TEXAS
AMITY LANE SAN. SEW. IMPROVEMENTS
DETAILS

BIRKHOFF, HENDRICKS & CONWAY, L.L.P.
CONSULTING ENGINEERS
Dallas, Texas

DESIGNED BY: PAC PROJECT: 2002-104 SHEET NO. 18
DRAWN BY: R.J.L. DATE: SEPTEMBER, 2004 OF 19 SHEETS

THESE DOCUMENTS ARE FOR BIDDING, CONSTRUCTION, AND PERMIT PURPOSES.
DATE: 9/14/04

