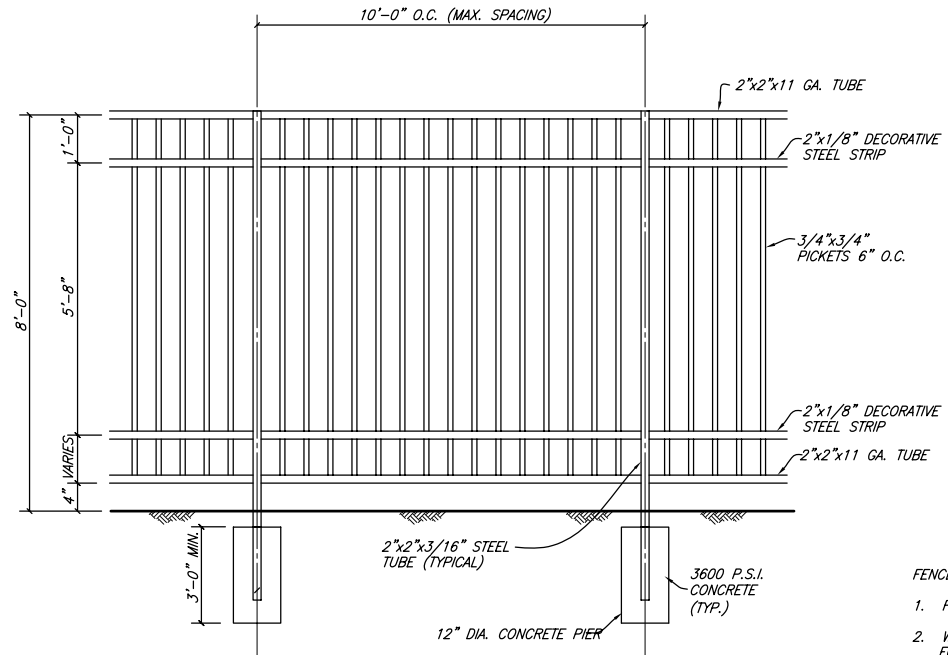
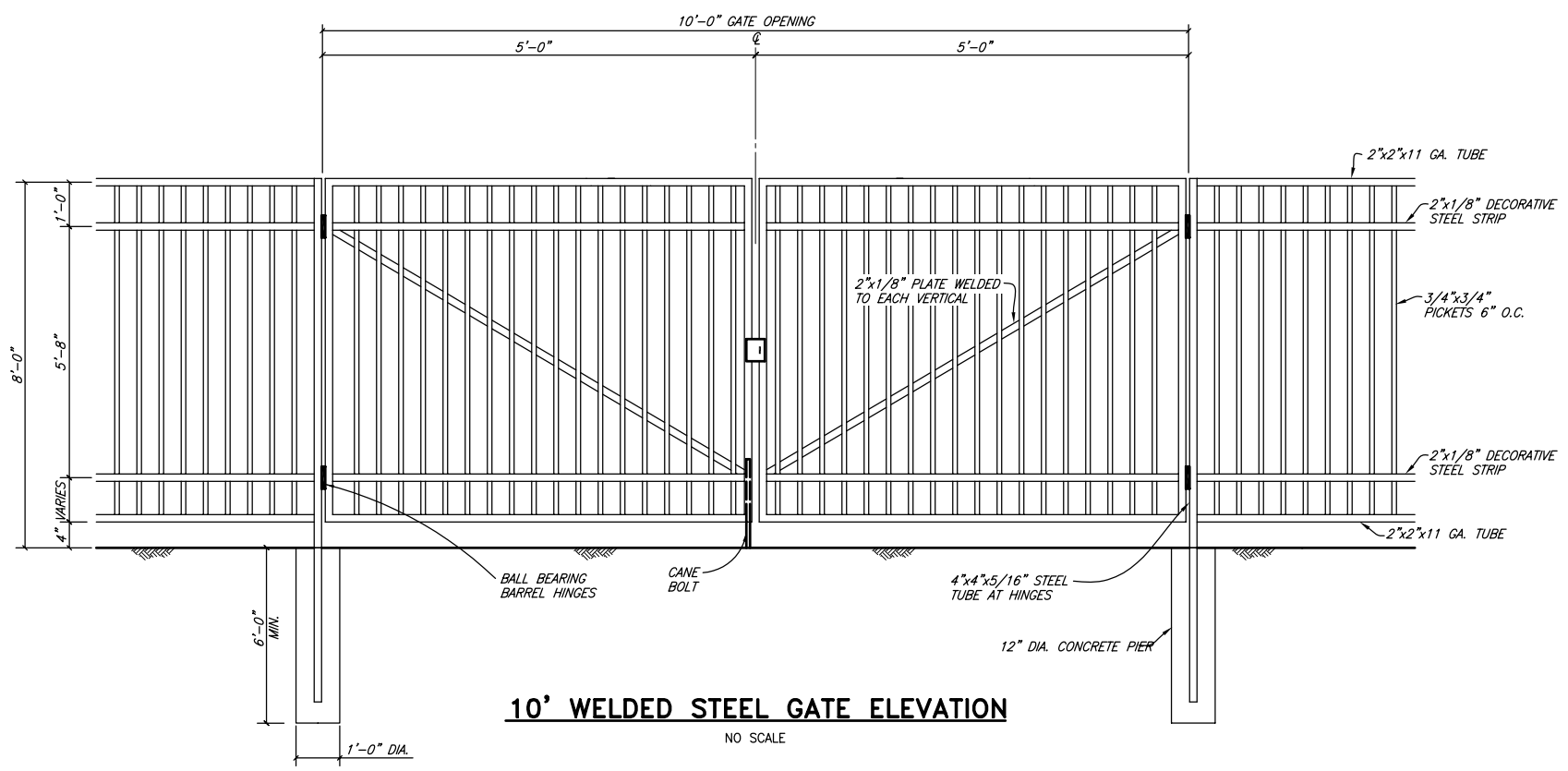


These plans and related specifications were prepared for construction of this specific project only. Reuse of these documents is not permitted without written authorization of Birkhoff, Hendricks & Carter, L.L.P.

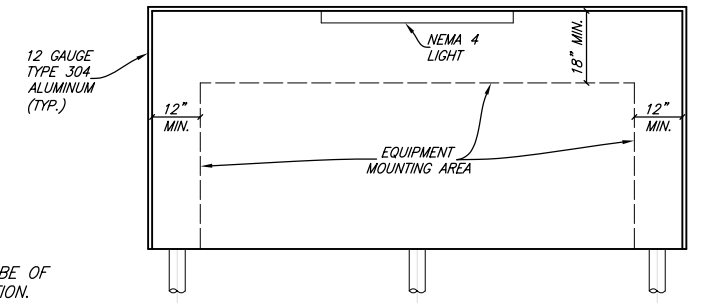


**WELDED STEEL FENCE ELEVATION**  
NO SCALE

- FENCE NOTES:
1. FENCE SHALL BE MADE OF PAINTED WELDED STEEL.
  2. WELDED STEEL GATES SHALL BE DOUBLE 5 FOOT WIDE, MANUAL SWING OPENING GATES WITH LATCH PLATE FOR LOCKING & PADLOCK.
  3. SHOP DRAWINGS FOR GATES, ALL FENCING AND PAINT COLOR SHALL BE SUBMITTED TO ENGINEER FOR APPROVAL PRIOR TO FABRICATION.

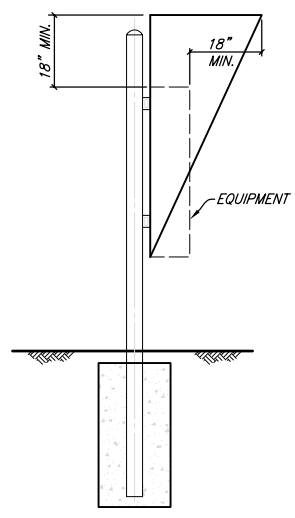


**10' WELDED STEEL GATE ELEVATION**  
NO SCALE

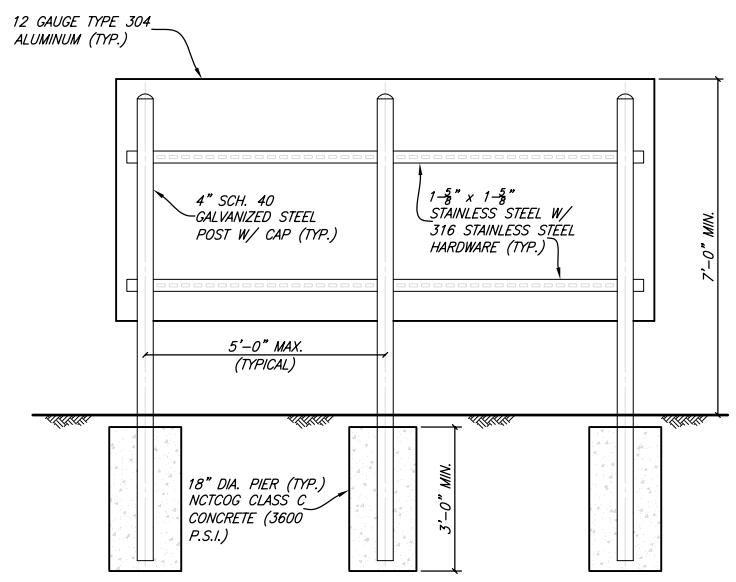


**EQUIPMENT AWNING (FRONT)**

**EQUIPMENT AWNING NOTE:**  
ALUMINUM AWNING SHALL BE OF FULLY WELDED CONSTRUCTION.



**EQUIPMENT AWNING (SIDE)**

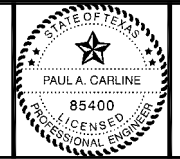


**EQUIPMENT AWNING (BACK)**

**EQUIPMENT AWNING DETAILS**  
NOT TO SCALE

This record drawing is a compilation of the sealed engineering drawing for this project; modified by addenda, change orders and information furnished by the contractor. The information shown on the record drawings that was provided by the contractor or others not associated with the design engineer cannot be verified for accuracy or completeness. This original sealed drawings are on file at the offices of Birkhoff, Hendricks & Carter, L.L.P.  
BY P.A.C. DATE 12/17/12

**BIRKHOFF, HENDRICKS & CARTER, L.L.P.**  
PROFESSIONAL ENGINEERS  
Texas Firm F526  
11910 Greenville Ave., Suite 600  
Dallas, Texas 75243 (214) 361-7900



*12/1/10*

**CITY OF ROCKWALL, TEXAS**  
AIRPORT ROAD LIFT STATION IMPROVEMENTS  
MISCELLANEOUS DETAILS

BHC PROJECT NO. 4055-218  
DECEMBER 2010

SHEET NO. **4**