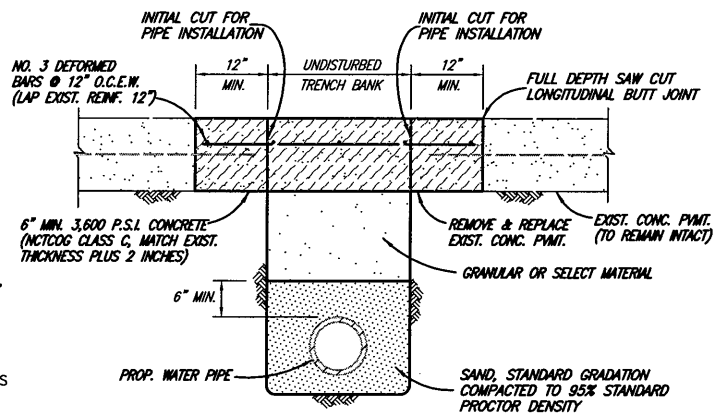
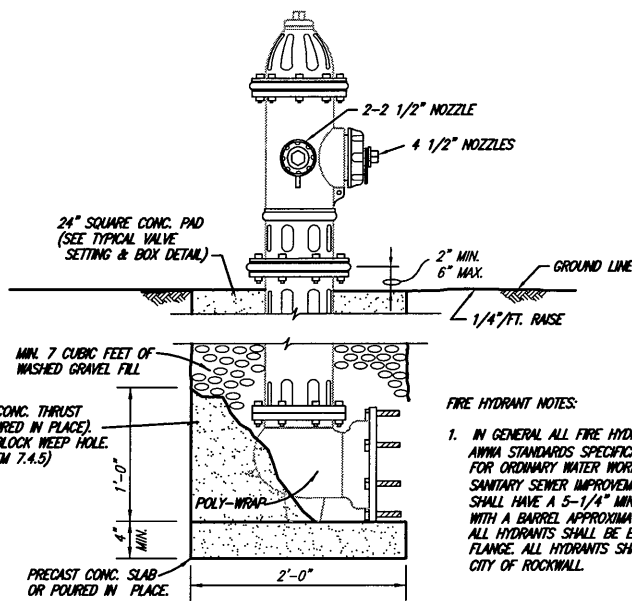


**WATER LINE NOTES**  
(NOTES APPLY TO ALL SHEETS)

- 1) WATER LINES 6-INCHES TO 12-INCHES IN DIAMETER SHALL BE PVC AWWA C-900 DR-14, CLASS 200
- 2) WATER LINES 14-INCHES TO 24-INCHES IN DIAMETER SHALL BE PVC AWWA C-905 DR-18, CLASS 235
- 3) WATER LINES 36-INCHES IN DIAMETER SHALL BE PVC AWWA C-905 DR-25, CLASS 165
- 4) ALL WATER LINES HAVE A MINIMUM COVER OF 48-INCHES.
- 5) ALL TEES, BENDS, ELBOWS, PLUGS, AND OTHER FITTINGS SHALL BE RESTRAINED USING MEGA-LUGS OR APPROVED EQUAL JOINT RESTRAINT SHALL BE SUCH TO RESTRAIN TEST PRESSURES.
- 6) EXISTING UTILITIES SHOWN ON THE PLANS HAVE BEEN LOCATED FROM REFERENCE INFORMATION PROVIDED BY UTILITY COMPANIES AND FIELD SURVEYS. THE UTILITIES SHOWN MAY NOT REPRESENT ALL UTILITIES PRESENT. THE ENGINEER AND CITY OF ROCKWALL DO NOT ACCEPT RESPONSIBILITY FOR THE UTILITY LOCATIONS SHOWN. THE CONTRACTOR SHALL VERIFY UTILITY LOCATIONS BOTH HORIZONTALLY AND VERTICALLY PRIOR TO CONSTRUCTION AND SHALL TAKE NECESSARY PRECAUTIONS TO PROTECT ALL UTILITIES ENCOUNTERED. THE CONTRACTOR SHALL PRESERVE AND PROTECT ALL EXISTING UTILITIES FROM DAMAGE AND SHALL REPAIR ANY UTILITIES DAMAGED BY THEIR OPERATIONS AT THEIR EXPENSE. CONTRACTOR SHALL NOTIFY ENGINEER OF ANY CONFLICTS WITH UTILITIES.
- 7) ALL WORK SHALL COMPLY WITH APPLICABLE CODES, REGULATIONS, AND STANDARDS IMPOSED BY UTILITY COMPANIES AND THE CITY OF ROCKWALL.
- 8) CONTRACTOR SHALL FURNISH AND INSTALL BLUE E.M.T. MARKER PADS AT ALL BENDS, VALVES, CHANGES IN HORIZONTAL ALIGNMENT, AND EVERY 250- FEET ALONG THE LENGTH OF THE WATER LINE AS SHOWN IN THE CITY OF ROCKWALL STANDARD DETAILS. PAYMENT FOR FURNISHING AND INSTALLING THE E.M.T. MARKER PADS SHALL BE SUBSIDIARY TO WATER LINE INSTALLATION.
- 9) SEWER PRESSURE PIPE SHALL BE PVC, SDR 26 (160PSI PRESSURE RATING), ASTM D2241.
- 10) PAYMENT FOR DUCTILE IRON FITTINGS SHALL BE AT THE CONTRACT UNIT PRICE PER POUND AS PROVIDED IN THE PROPOSAL AND BID SCHEDULE.

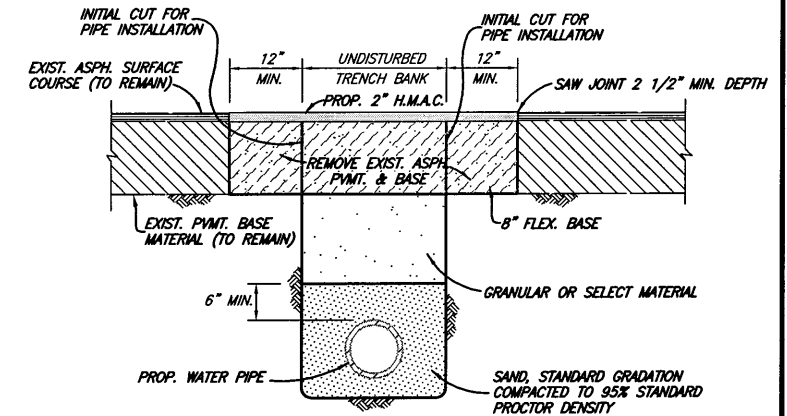


**CONCRETE STREET OR DRIVEWAY REPAIR**

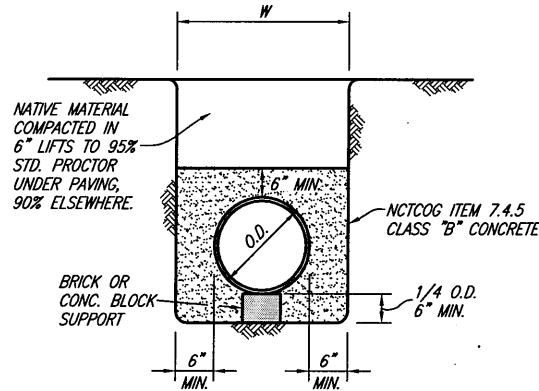


- FIRE HYDRANT NOTES:**
1. IN GENERAL ALL FIRE HYDRANTS SHALL CONFORM TO AWWA STANDARDS SPECIFICATIONS FOR FIRE HYDRANTS FOR ORDINARY WATER WORKS SERVICE FOR WATER AND SANITARY SEWER IMPROVEMENTS. FIRE HYDRANTS SHALL HAVE A 5-1/4" MINIMUM VALVE OPENING AND WITH A BARREL APPROXIMATELY 7" INSIDE DIAMETER. ALL HYDRANTS SHALL BE EQUIPPED WITH A BREAKAWAY FLANGE. ALL HYDRANTS SHALL BE APPROVED BY THE CITY OF ROCKWALL.

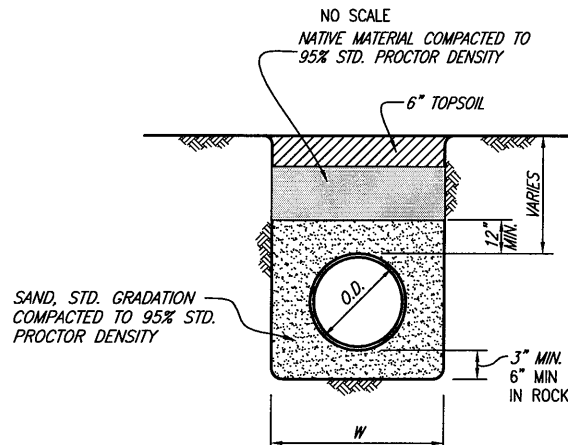
**FIRE HYDRANT ASSEMBLY**



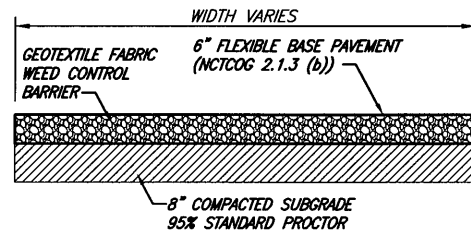
**ASPHALT STREET OR DRIVEWAY REPAIR**



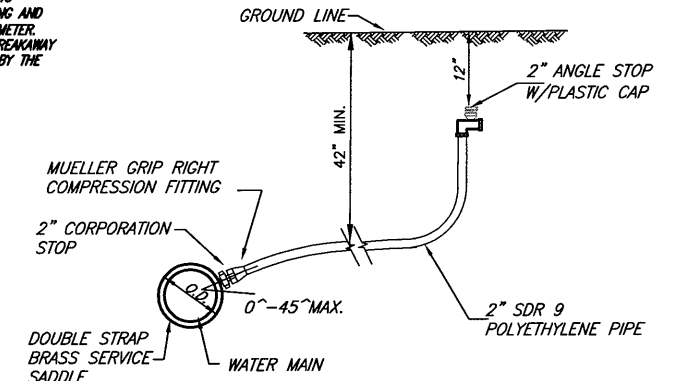
**CLASS G EMBEDMENT**  
CONCRETE ENCASEMENT



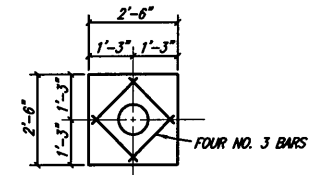
**CLASS B-4 EMBEDMENT**



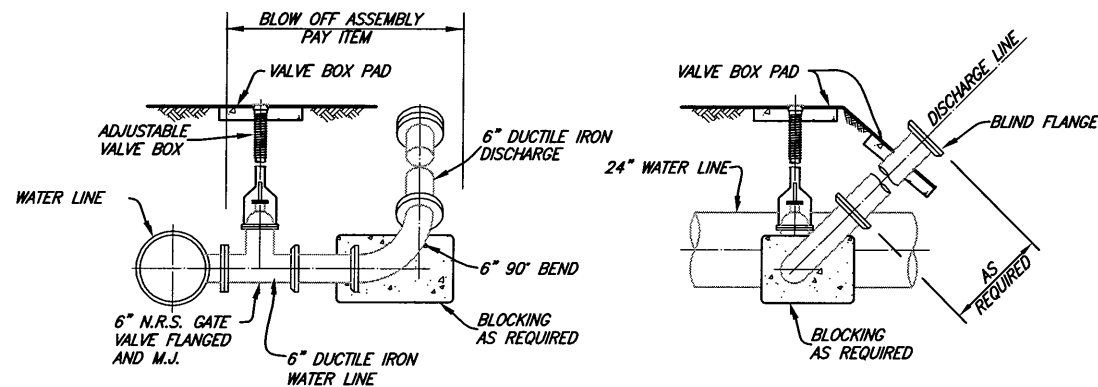
**GRAVEL DRIVE REPAIR**



**WATER SERVICE ASSEMBLY**



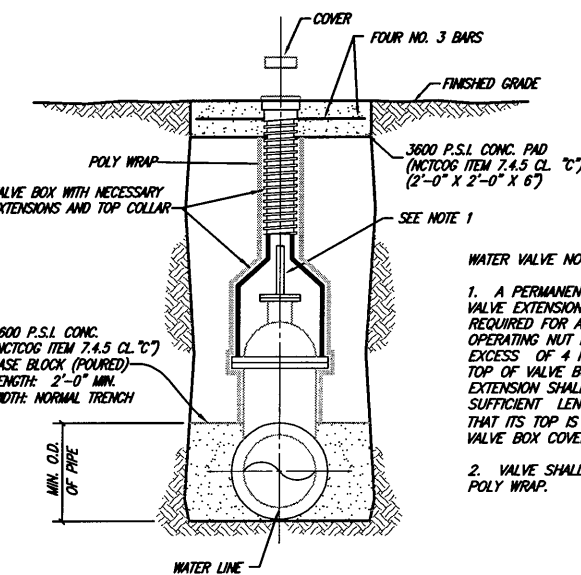
**VALVE BOX PAD PLAN**



**BLOW OFF VALVE ASSEMBLY**

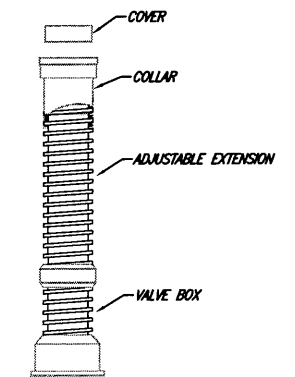
This record drawing is a compilation of the sealed engineering drawing for this project, modified by addenda, change orders and information furnished by the contractor. The information shown on the record drawings that was provided by the contractor or others not associated with the design engineer cannot be verified for accuracy or completeness. This original sealed drawings are on file at the offices of Birkhoff, Hendricks & Conway, L.L.P.

BY PAC DATE 4/10/08



**GATE VALVE SETTING & BOX**

- WATER VALVE NOTES:**
1. A PERMANENTLY ATTACHED VALVE EXTENSION STEM SHALL BE REQUIRED FOR ANY VALVE WHOSE OPERATING NUT IS LOCATED IN EXCESS OF 4 FEET BELOW THE TOP OF VALVE BOX. THIS EXTENSION SHALL BE OF SUFFICIENT LENGTH TO INSURE THAT ITS TOP IS WITHIN 4" OF THE VALVE BOX COVER.
  2. VALVE SHALL BE WRAPPED IN POLY WRAP.



**VALVE BOX WITH EXTENSION**

**BIRKHOFF, HENDRICKS & CONWAY, L.L.P.**  
CONSULTING ENGINEERS  
7502 Greenville Ave., Suite 220  
Dallas, Texas  
(214) 361-7900



THESE DOCUMENTS ARE FOR BIDDING, CONSTRUCTION, AND PERMIT PURPOSES.  
DATE: 6/12/07

**CITY OF ROCKWALL, TEXAS**  
F.M. 549 WATER LINE IMPROVEMENTS  
NOTES AND DETAILS

BHC PROJECT NO. 2006-150  
July, 2007

SHEET NO. **29**