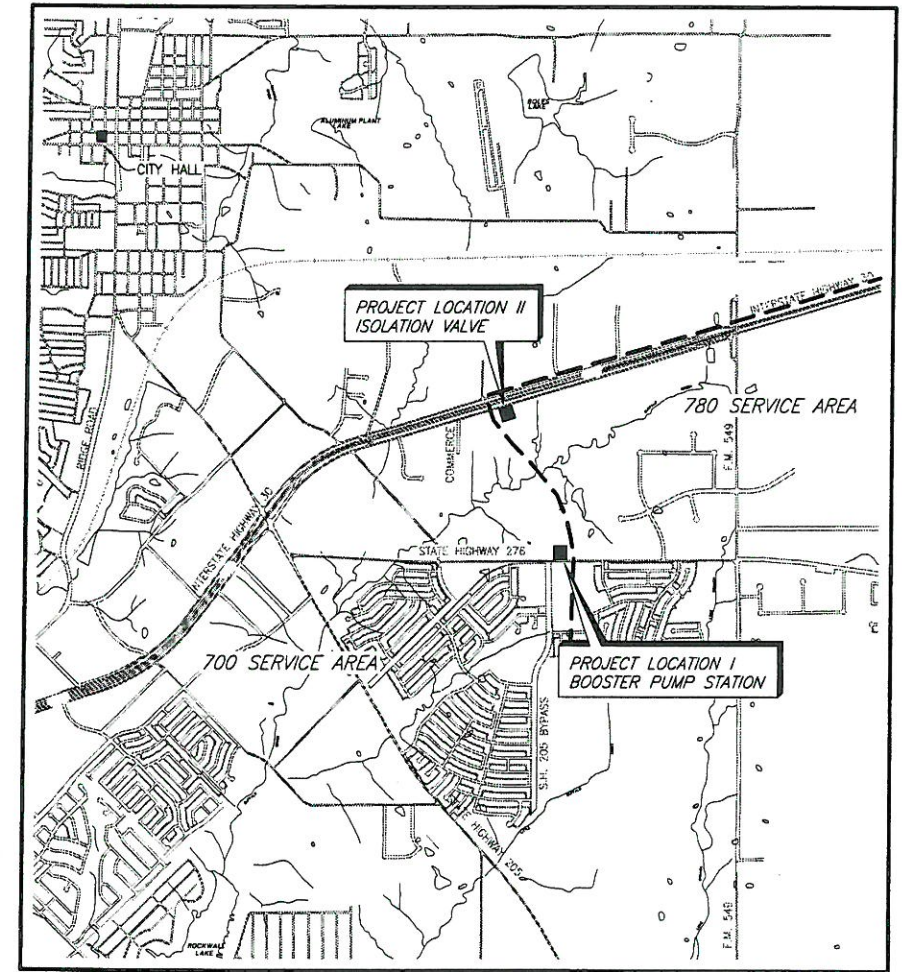


CITY OF ROCKWALL, TEXAS FILE

CONSTRUCTION PLANS FOR:

780 SERVICE AREA WATER DISTRIBUTION SYSTEM IMPROVEMENTS

I S.H. 276 BOOSTER PUMP STATION
II I.H. 30 ISOLATION VALVE



LOCATION MAP

SHEET INDEX

<u>SHEET NO.</u>	<u>SHEET DESCRIPTION</u>
—	COVER SHEET AND LOCATION MAP
1	S.H. 276 BOOSTER PUMP STATION SITE PLAN
2	S.H. 276 BOOSTER PUMP STATION PIPING PROFILES
3	S.H. 276 BOOSTER PUMP STATION DETAILS & SUGGESTED CONSTRUCTION SEQUENCING PLAN
4	I.H. 30 ISOLATION VALVE PLAN

COUNCIL MEMBERS

KEN JONES, MAYOR
TIM McCALLUM, MAYOR PRO-TEM
STEPHEN STRAUGHAN
BOB COTTI
JOHN KING
TERRY RAULSTON
BILL CECIL

CITY MANAGER

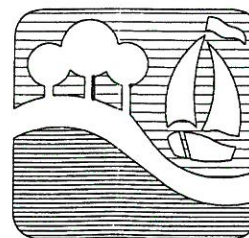
JULIE COUCH

ASSISTANT CITY MANAGER

RICHARD R. CROWLEY

CITY ENGINEER

CHUCK TODD, P.E.



BIRKHOFF, HENDRICKS & CONWAY, L.L.P.
CONSULTING ENGINEERS
Dallas, Texas

**APPROVED FOR
CONSTRUCTION**

MAR 10 2005

City of Rockwall Engineering Dept.
City Engineer: CA T



THESE DOCUMENTS ARE FOR
BIDDING, CONSTRUCTION,
AND PERMITS PURPOSES.

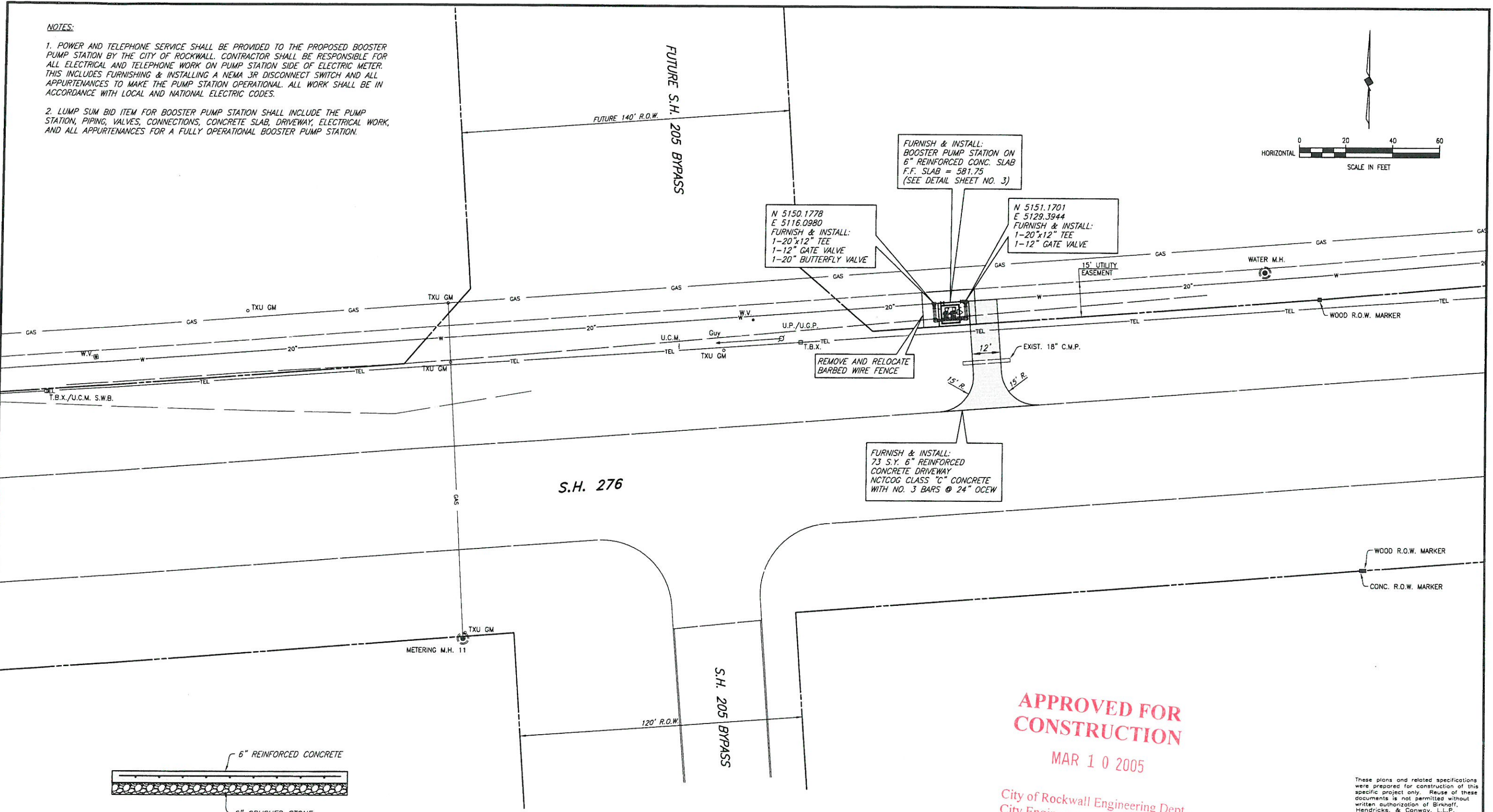
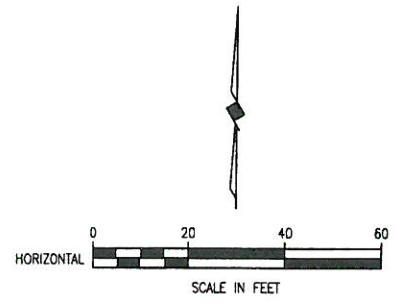
DATE: 10/27/04

OCTOBER, 2004

NOTES:

1. POWER AND TELEPHONE SERVICE SHALL BE PROVIDED TO THE PROPOSED BOOSTER PUMP STATION BY THE CITY OF ROCKWALL. CONTRACTOR SHALL BE RESPONSIBLE FOR ALL ELECTRICAL AND TELEPHONE WORK ON PUMP STATION SIDE OF ELECTRIC METER. THIS INCLUDES FURNISHING & INSTALLING A NEMA 3R DISCONNECT SWITCH AND ALL APPURTENANCES TO MAKE THE PUMP STATION OPERATIONAL. ALL WORK SHALL BE IN ACCORDANCE WITH LOCAL AND NATIONAL ELECTRIC CODES.

2. LUMP SUM BID ITEM FOR BOOSTER PUMP STATION SHALL INCLUDE THE PUMP STATION, PIPING, VALVES, CONNECTIONS, CONCRETE SLAB, DRIVEWAY, ELECTRICAL WORK, AND ALL APPURTENANCES FOR A FULLY OPERATIONAL BOOSTER PUMP STATION.



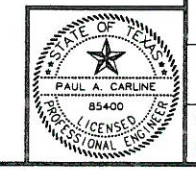
APPROVED FOR CONSTRUCTION
MAR 10 2005

City of Rockwall Engineering Dept.
City Engineer: _____

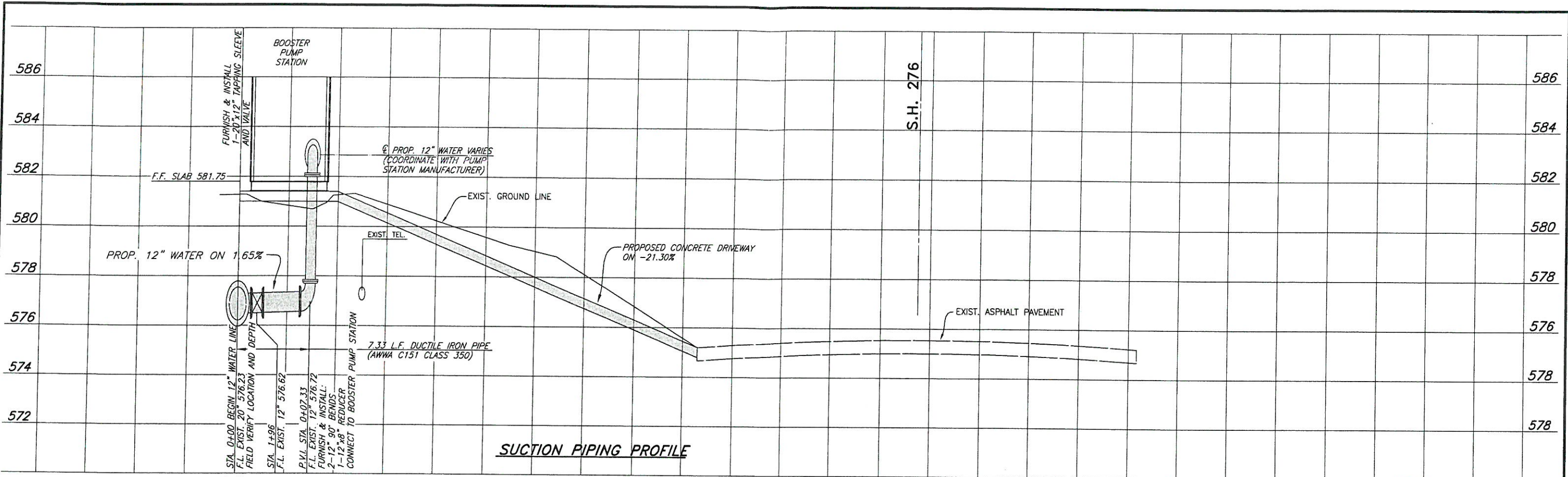
These plans and related specifications were prepared for construction of this specific project only. Reuse of these documents is not permitted without written authorization of Birkhoff, Hendricks, & Conway, L.L.P.

CITY OF ROCKWALL, TEXAS		
780 SERVICE AREA WATER DISTRIBUTION SYSTEM IMPROVEMENTS		
S.H. 276 BOOSTER PUMP STATION		
SITE PLAN		
BIRKHOFF, HENDRICKS & CONWAY, L.L.P. CONSULTING ENGINEERS Dallas, Texas		
DESIGNED BY: P.A.C.	PROJECT: 2004140	SHEET NO. 1
DRAWN BY: B. H. & C.	DATE: OCTOBER, 2004	OF 4 SHEETS

THESE DOCUMENTS ARE FOR BIDDING, CONSTRUCTION, AND PERMIT PURPOSES.
DATE: 10/27/04

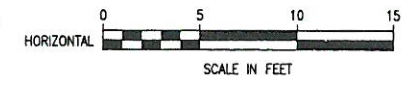


H:\Projects\Rockwall\2004140\Sheets\2004140-01.dwg
11/23/04 KAB

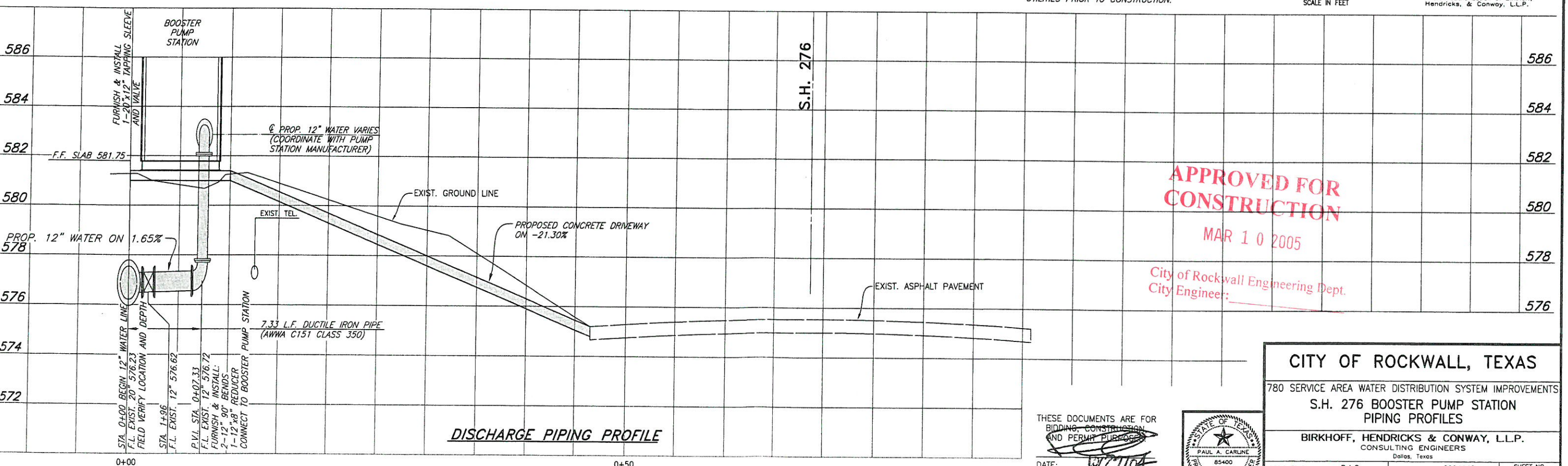


SUCTION PIPING PROFILE

NOTE:
CONTRACTOR SHALL FIELD VERIFY DEPTH
AND LOCATION OF ALL UNDERGROUND
UTILITIES PRIOR TO CONSTRUCTION.



These plans and related specifications were prepared for construction of this specific project only. Reuse of these documents is not permitted without written authorization of Birkhoff, Hendricks, & Conway, L.L.P.



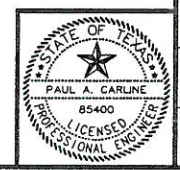
DISCHARGE PIPING PROFILE

APPROVED FOR CONSTRUCTION

MAR 10 2005

City of Rockwall Engineering Dept.
City Engineer: _____

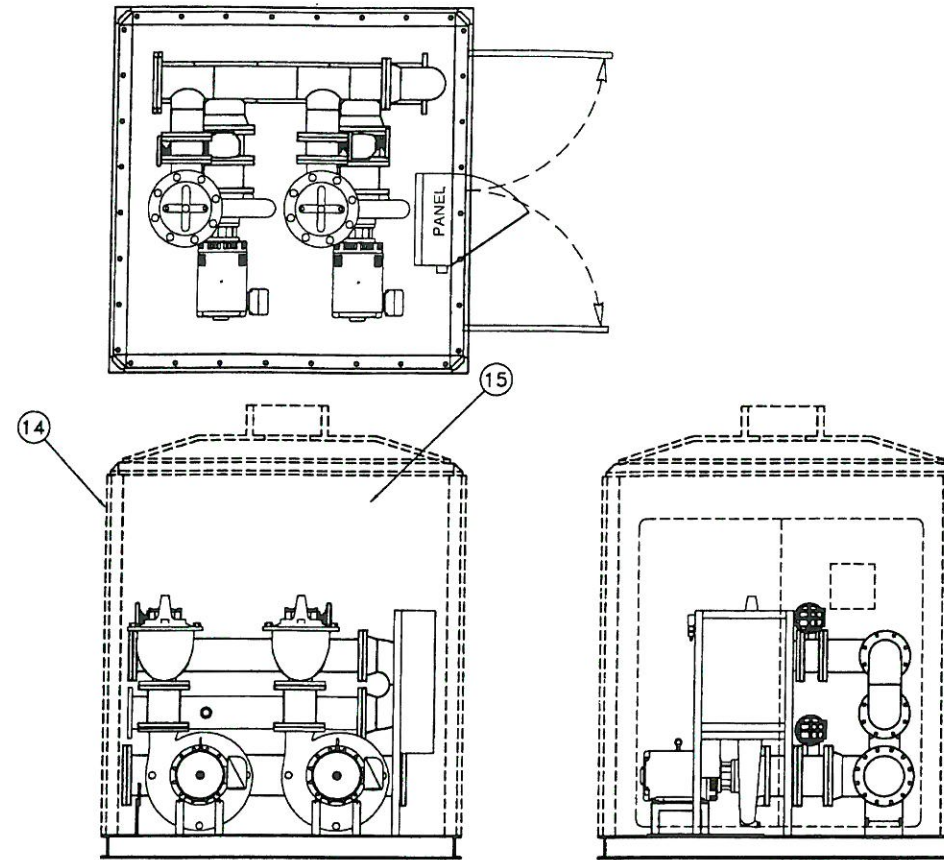
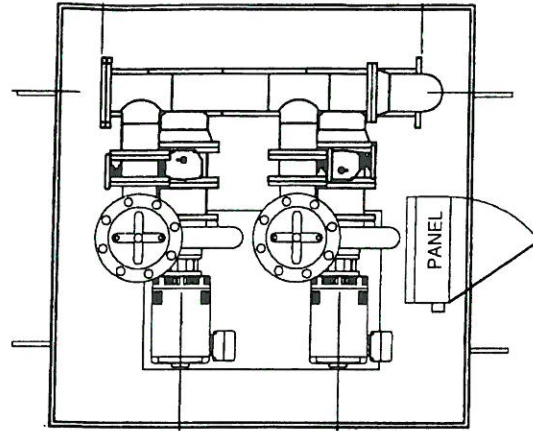
THESE DOCUMENTS ARE FOR BIDDING, CONSTRUCTION AND PERMIT PURPOSES.
DATE: 1/2/10



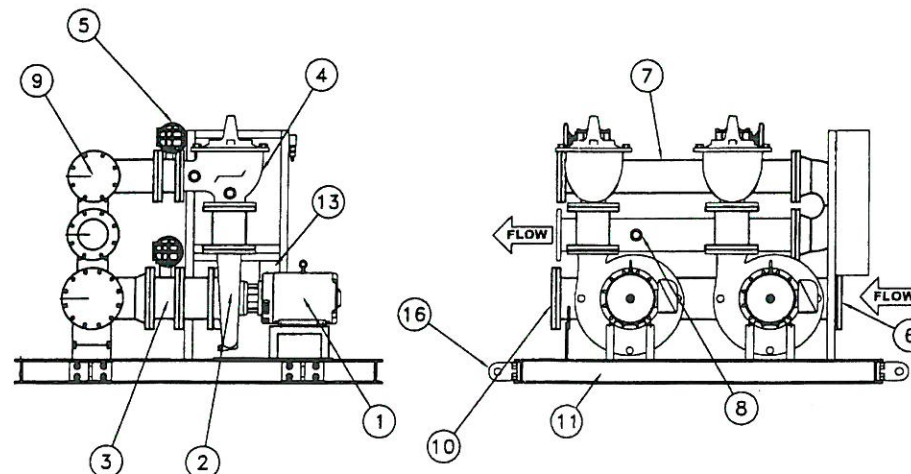
CITY OF ROCKWALL, TEXAS
780 SERVICE AREA WATER DISTRIBUTION SYSTEM IMPROVEMENTS
S.H. 276 BOOSTER PUMP STATION PIPING PROFILES
BIRKHOFF, HENDRICKS & CONWAY, L.L.P.
CONSULTING ENGINEERS
Dallas, Texas

DESIGNED BY: P.A.C.	PROJECT: 2004140	SHEET NO. 2
DRAWN BY: B. H. & C.	DATE: OCTOBER, 2004	OF 4 SHEETS

11/09/04 KAB H:\PROJECTS\ROCKWALL\2004140\SHEETS\2004140-02.dwg



STATION WITH ENCLOSURE



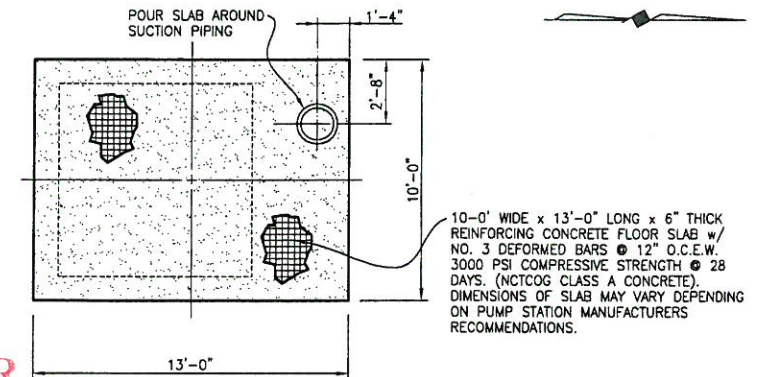
STATION WITHOUT ENCLOSURE (FOR CLARIFICATION)

FLOWTRONEX PACKAGE BOOSTER PUMP STATION
(FOR REFERENCE ONLY)

SUGGESTED CONSTRUCTION SEQUENCING PLAN
*ALL WORK SHALL BE COORDINATED WITH THE CITY OF ROCKWALL. OPERATION OF VALVES SHALL BE PERFORMED BY THE CITY OF ROCKWALL.

F.M. 549 BOOSTER PUMP STATION:

1. FURNISH AND INSTALL S.H. 276 BOOSTER PUMP STATION, PIPING AND ALL APPURTENANCES.
2. CLOSE VALVES TO THE TWO S.H. 276 PRESSURE SUSTAINING VALVES. OPEN 10" & 20" MAIN LINE VALVES TO SUPPLY WATER TO THE S.H. 276 BOOSTER PUMP STATION FROM THE 700 SERVICE AREA.
3. CLOSE 20" ISOLATION VALVE AT PUMP STATION. OPERATE S.H. 276 BOOSTER PUMP STATION.
4. SHUT DOWN F.M. 549 BOOSTER PUMP STATION. CLOSE 12" SUCTION AND DISCHARGE VALVES. KEEP 12" MAIN LINE VALVE CLOSED.
5. FURNISH AND INSTALL 16" I.H. 30 ISOLATION VALVE AND CLOSE THIS VALVE.
6. OPEN 12" MAIN LINE VALVE AT F.M. 549 BOOSTER PUMP STATION, CLOSE 12" SUCTION AND DISCHARGE VALVES AT THE F.M. 549 BOOSTER PUMP STATION.



APPROVED FOR CONSTRUCTION

MAR 10 2005

City of Rockwall Engineering Dept.
City Engineer: _____

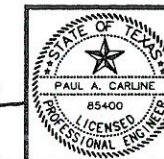
FOUNDATION PLAN
N.T.S.

These plans and related specifications were prepared for construction of this specific project only. Reuse of these documents is not permitted without written authorization of Birkhoff, Hendricks, & Conway, L.L.P.

CITY OF ROCKWALL, TEXAS
780 SERVICE AREA WATER DISTRIBUTION SYSTEM IMPROVEMENTS
S.H. 276 BOOSTER PUMP STATION DETAILS & SUGGESTED SEQUENCING PLAN
BIRKHOFF, HENDRICKS & CONWAY, L.L.P.
CONSULTING ENGINEERS
Dallas, Texas

THESE DOCUMENTS ARE FOR BIDDING, CONSTRUCTION, AND PERMIT PURPOSES.

DATE: 10/27/04



DESIGNED BY: P.A.C.	PROJECT: 2004140	SHEET NO. 3
DRAWN BY: B. H. & C.	DATE: OCTOBER, 2004	OF 4 SHEETS

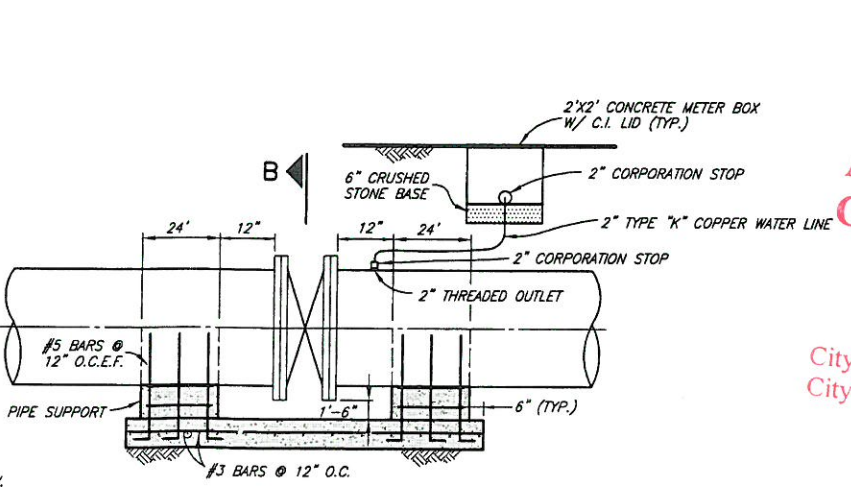
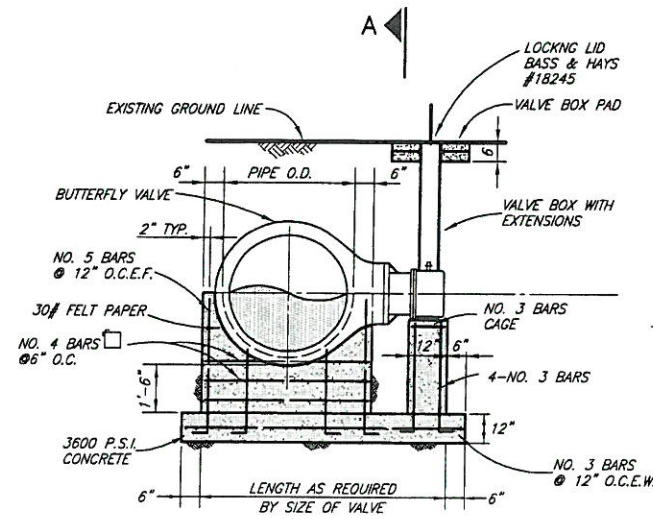
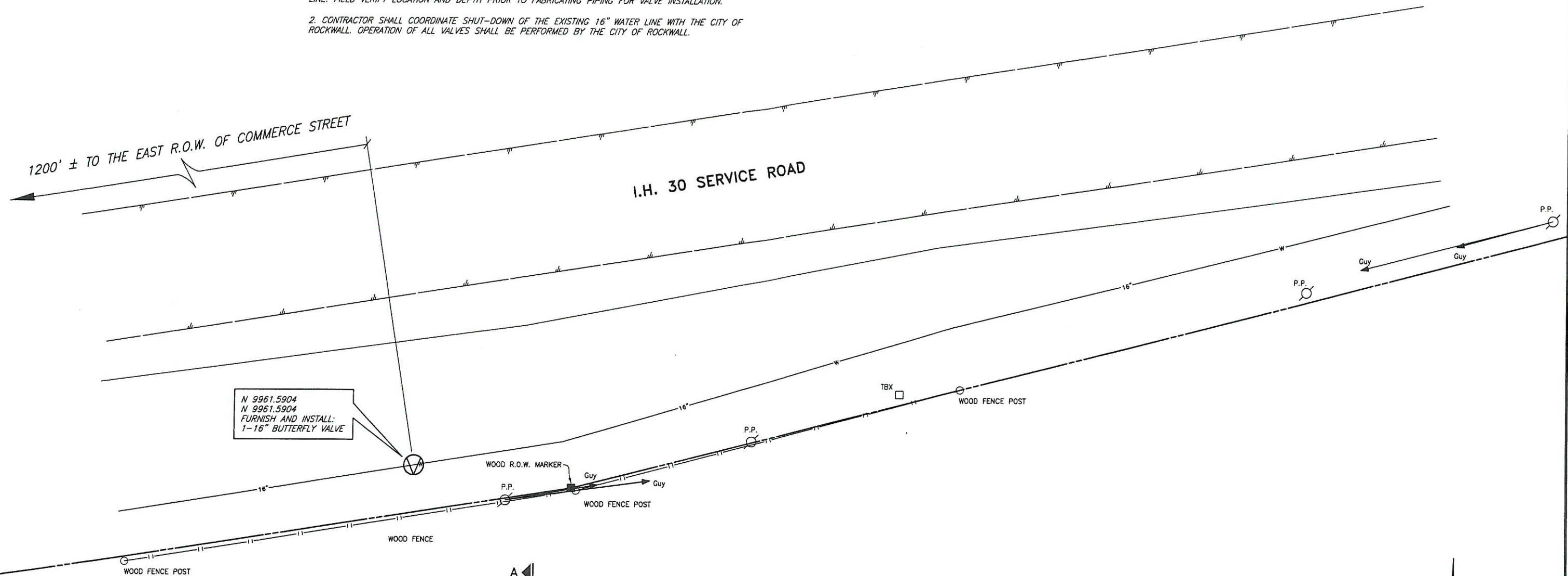
NOTES:

1. CONTRACTOR SHALL COORDINATE WITH THE CITY OF ROCKWALL FOR LOCATING THE EXISTING 16" WATER LINE. FIELD VERIFY LOCATION AND DEPTH PRIOR TO FABRICATING PIPING FOR VALVE INSTALLATION.
2. CONTRACTOR SHALL COORDINATE SHUT-DOWN OF THE EXISTING 16" WATER LINE WITH THE CITY OF ROCKWALL. OPERATION OF ALL VALVES SHALL BE PERFORMED BY THE CITY OF ROCKWALL.

1200' ± TO THE EAST R.O.W. OF COMMERCE STREET

I.H. 30 SERVICE ROAD

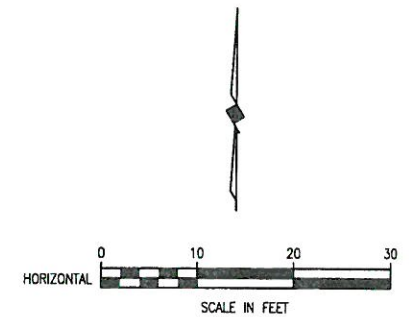
N 9961.5904
N 9961.5904
FURNISH AND INSTALL:
1-16" BUTTERFLY VALVE



BUTTERFLY VALVE INSTALLATION
(BFVALVE)

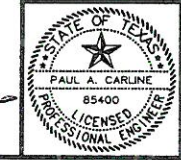
APPROVED FOR CONSTRUCTION
MAR 10 2005

City of Rockwall Engineering Dept.
City Engineer: _____



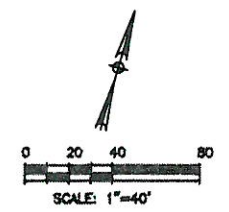
These plans and related specifications were prepared for construction of this specific project only. Reuse of these documents is not permitted without written authorization of Birkhoff, Hendricks & Conway, L.L.P.

CITY OF ROCKWALL, TEXAS		
780 SERVICE AREA WATER DISTRIBUTION SYSTEM IMPROVEMENTS		
I.H. 30 ISOLATION VALVE		
BIRKHOFF, HENDRICKS & CONWAY, L.L.P. CONSULTING ENGINEERS Dallas, Texas		
DESIGNED BY: P.A.C.	PROJECT: 2004140	SHEET NO. 4
DRAWN BY: B. H. & C.	DATE: OCTOBER, 2004	OF 4 SHEETS



THESE DOCUMENTS ARE FOR BIDDING, CONSTRUCTION, AND PERMIT PURPOSES.
DATE: 10/27/04

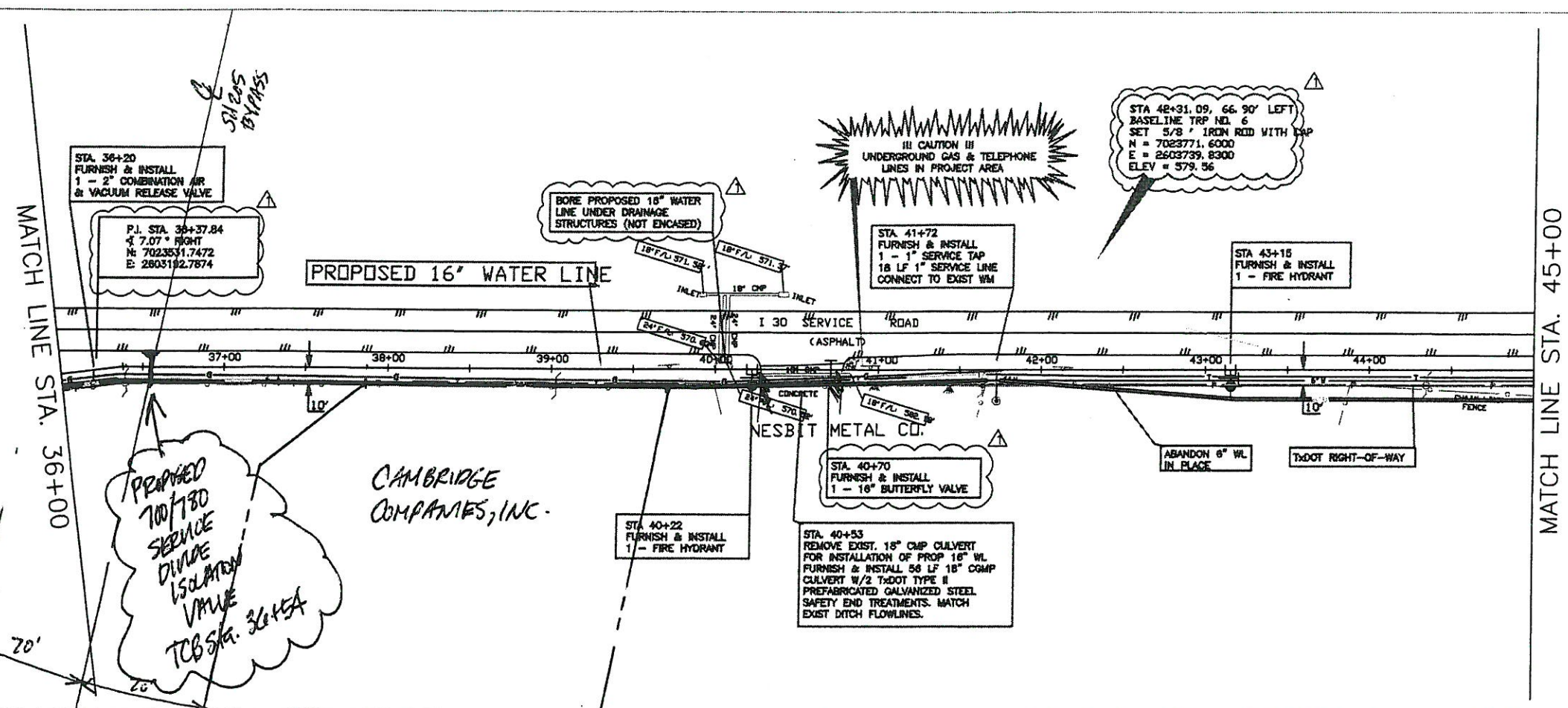
H:\Projects\Rockwall\2004140\Plans\Sheets\2004140-04.dwg 10/27/04 KAB



LEGEND	
	POWER POLE
	GUY WIRE
	TELEPHONE BOX
	POST
	SIGN
	IRON ROD
	FIRE HYDRANT
	WATER METER
	MAILBOX
	WATER METER
	IRRIGATION CONTROL VALVE
	GUARD RAIL
	GAS METER
	GROUND LIGHT
	CHAIN LINK FENCE
	WOOD FENCE
	ASH TREE
	OAK TREE
	CEDAR TREE
	BARBED WIRE FENCE
	REFLECTOR
	APPROXIMATE TELEPHONE LINE
	APPROXIMATE GAS LINE
	APPROXIMATE WATER LINE
	OVERHEAD POWER LINE
	PINE TREE
	PECAN TREE

UNDERGROUND UTILITIES

THE LOCATION OF EXISTING UTILITIES SHOWN ON THESE PLANS ARE APPROXIMATE AND BASED ON DATA FURNISHED BY UTILITY COMPANIES. IT IS THE RESPONSIBILITY OF THE CONTRACTOR TO LOCATE AND VERIFY ON-SITE THE UTILITIES THAT MAY CONFLICT WITH THE CONSTRUCTION.



PROPOSED 700/180 SERVICE DIVIDE ISOLATION VALVE TCB STA. 36+54

CAMBRIDGE COMPANIES, INC.

APPROVED FOR CONSTRUCTION
MAR 10 2005

City of Rockwall Engineering Dept.
City Engineer: _____

NO.	4-16-99	REALIGNMENT	TBS
	DATE	REVISION	APPROV

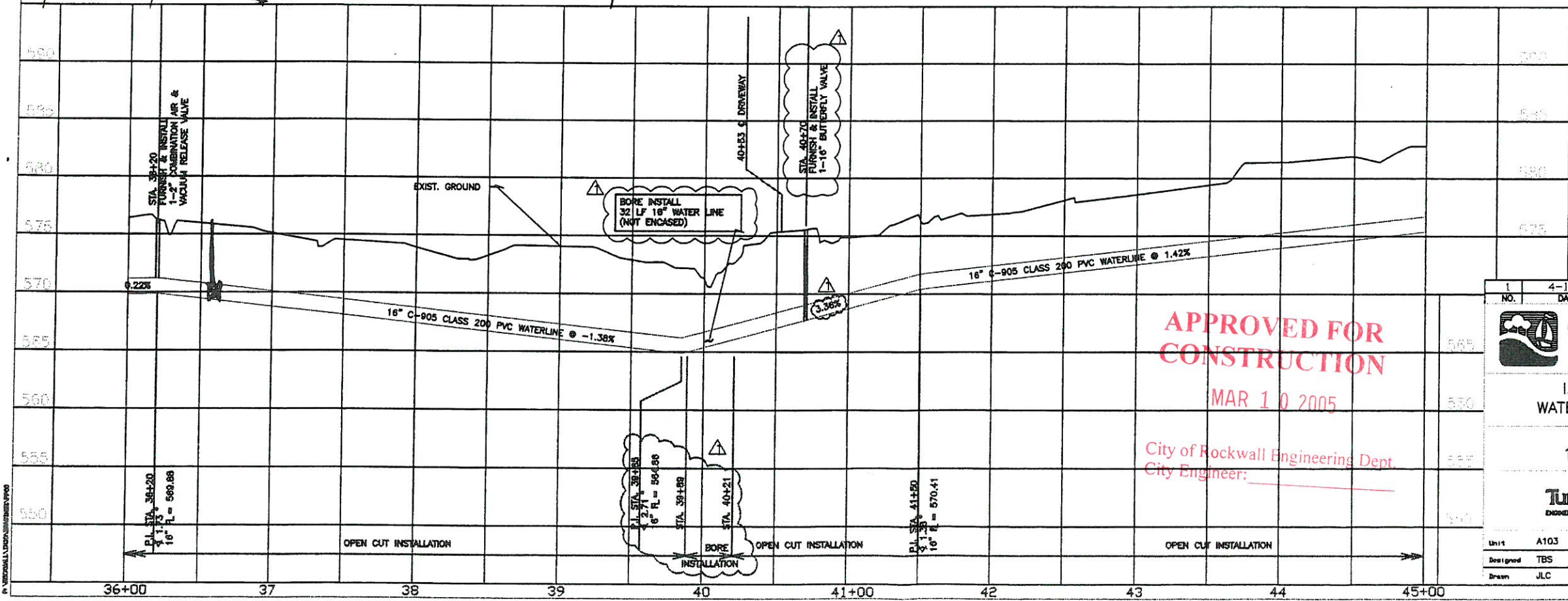
CITY OF ROCKWALL
"THE NEW HORIZON"

I.H. 30 AND FM 549
WATER LINE IMPROVEMENTS

UTILITY PLAN AND PROFILE
16" PVC WATER LINE
STA. 36+00 TO STA. 45+00

Turner Collier & Braden Inc.
ENGINEERS • PLANNERS • PROJECT MANAGERS

Unit	A103	Scale	Horz. 1"=40' Vert. 1"=5'	Date	FEBRUARY, 1999
Designed	TBS	Checked	DWN	Job No.	15-98925-200
Drawn	JLC	Approved	RCR		SHEET 7 OF 33



P:\PROJECTS\15-98925\15-98925-200.DWG