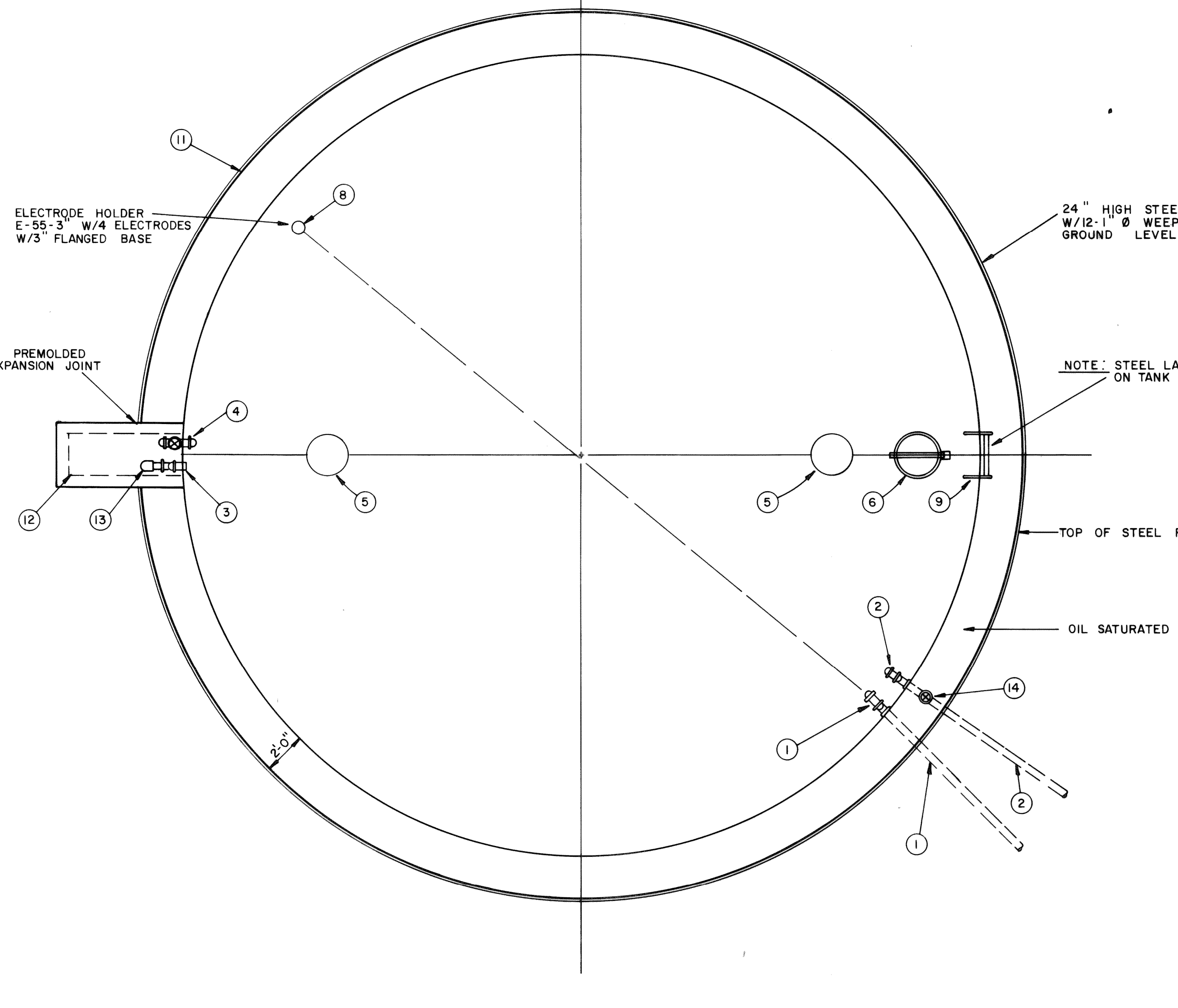


ELEVATION
SCALE: 1/4" = 1'-0"

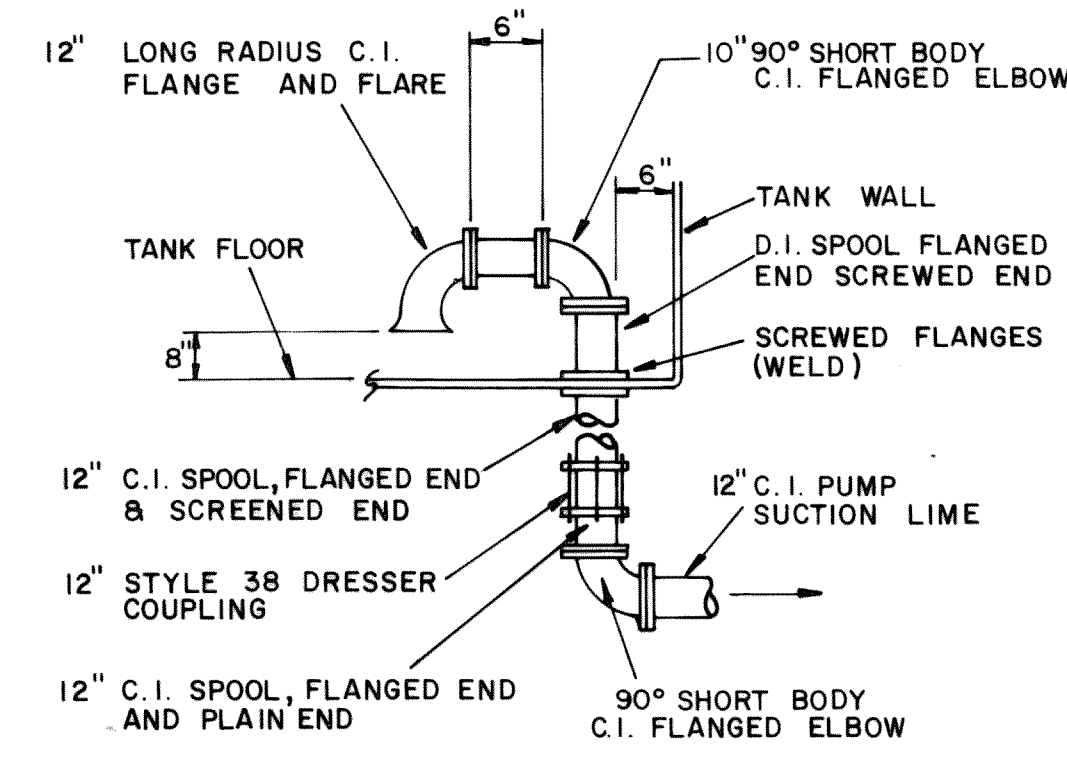


STORAGE TANK - PLAN
SCALE: 1/4" = 1'-0"

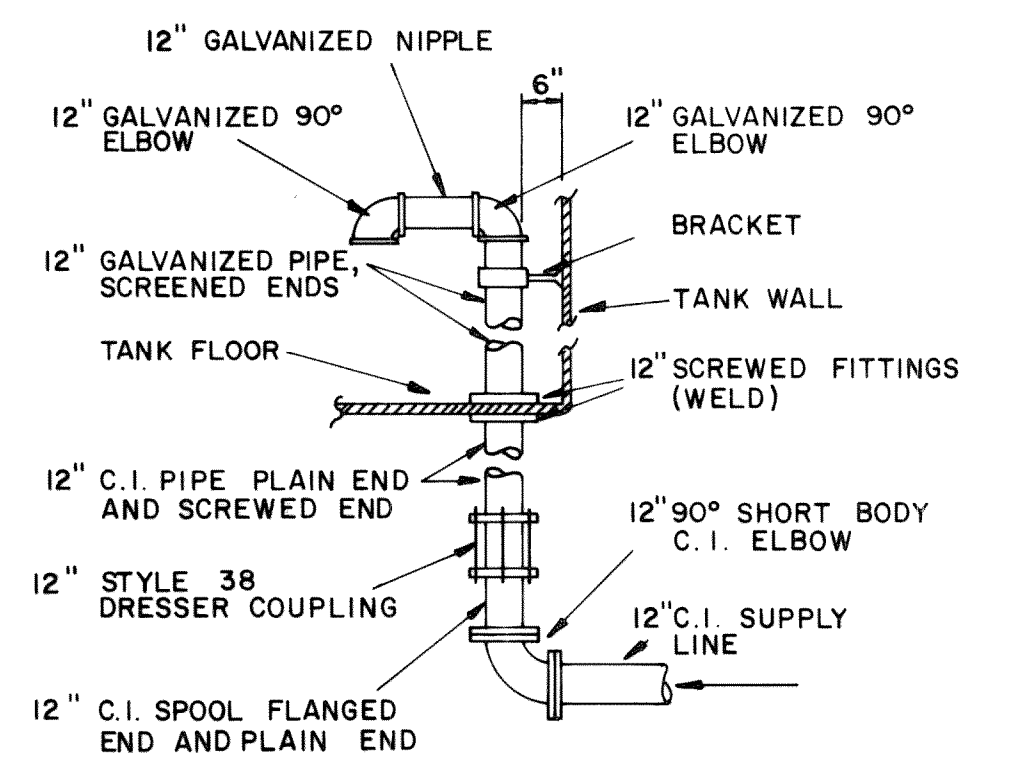
MANHOLE AND LADDER DETAIL
NOT TO SCALE

TANK DRAIN-DETAIL NO. 3
SCALE: 1" = 1'-0"

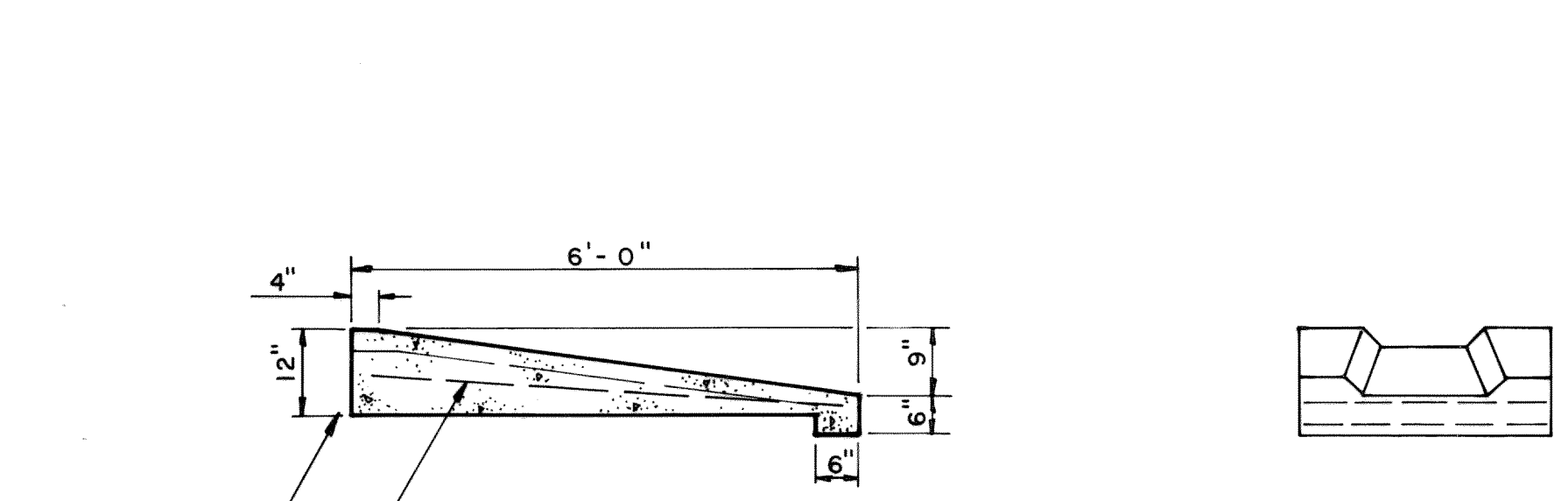
FLAP VALVE DETAIL NO. 4
SCALE: 1" = 1'-0"



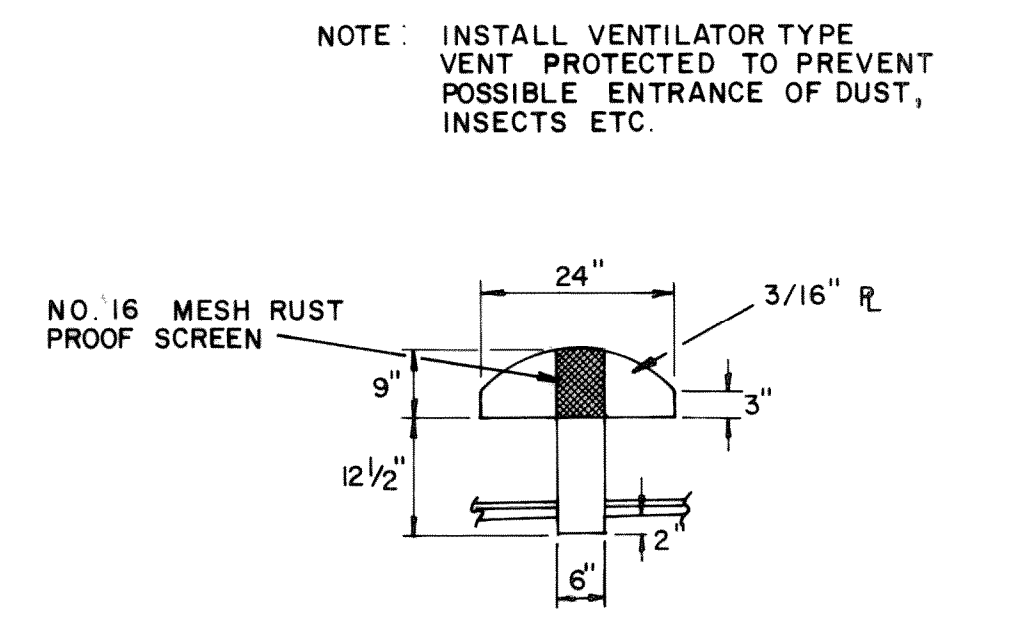
PUMP SUCTION - DETAIL NO. 1



TANK SUPPLY - DETAIL NO. 2



SPLASH BLOCK DETAIL
SCALE: 1/2" = 1'-0"



TANK VENT DETAIL
SCALE: 1/2" = 1'-0"

TANK DATA	CAPACITY	DIA.	HGT.
PUMP HOUSE # 4	508,000 gal.	52 ft.	32 ft.

GROUND STORAGE TANK SCHEDULE FOR PUMP HOUSE # 4	
1	12" SUPPLY LINE
2	12" PUMP SUCTION LINE, C.I.
3	4" TANK OVERFLOW, LINE, STEEL
4	6" TANK DRAIN, GALVANIZED
5	6" TANK VENT, GALVANIZED (VENT SCREENED)
6	24" MANHOLE
7	24" CLEANOUT ACCESS
8	E-55-3 B.W. ELECTRODE HOLDER
9	STEEL LADDER
10	STEEL BRACKETS
11	24" HIGH STEEL RING
12	3'-0" X 6'-0" CONC. SPLASH BLOCK
13	4" MEULLER FLAP VALVE
14	12" GATE VALVE W/ BOX & COVER



Dan E. Jenson
Eng. 8/1985

HAROLD L. EVANS
CONSULTING ENGINEER
2331 GUS THOMASSON RD. SUITE 102
DALLAS, TEXAS 75228
PHONE (214) 328-8133

SCALE	DATE	JOB NO.
AS SHOWN	8 - 8 - 85	78144

9-16-85 REVISED (DESIGN REQUIREMENTS)

BLACKLAND WATER SUPPLY CORP.
WATER DISTRIBUTION CENTER
STORAGE TANK DETAILS
ROCKWALL COUNTY, TEXAS