

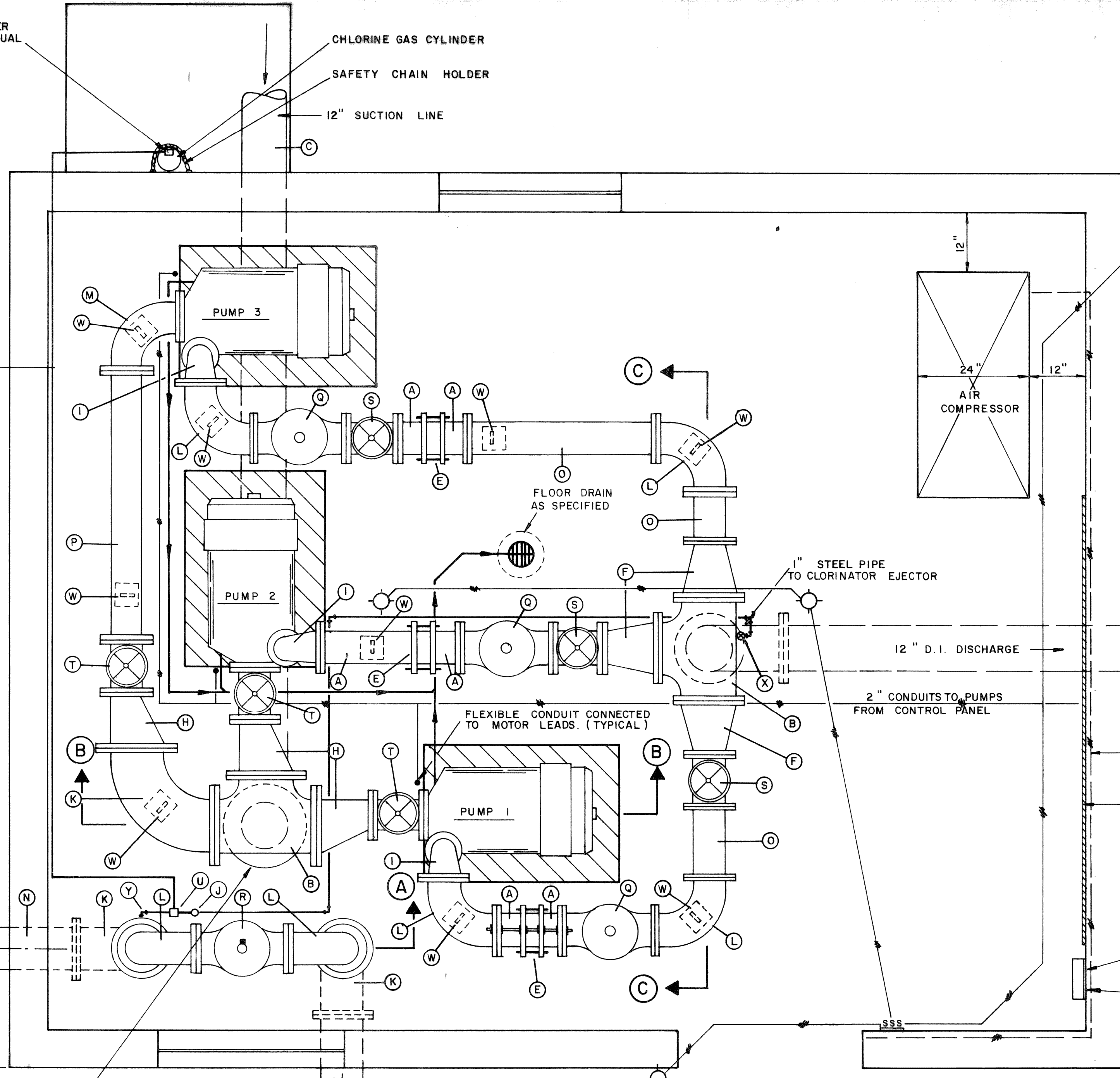
ADVANCE MODEL, 201 CYLINDER MOUNTED CHLORINATOR OR EQUAL

CHLORINE GAS CYLINDER

SAFETY CHAIN HOLDER

12" SUCTION LINE

3/8" VACUUM TUBING



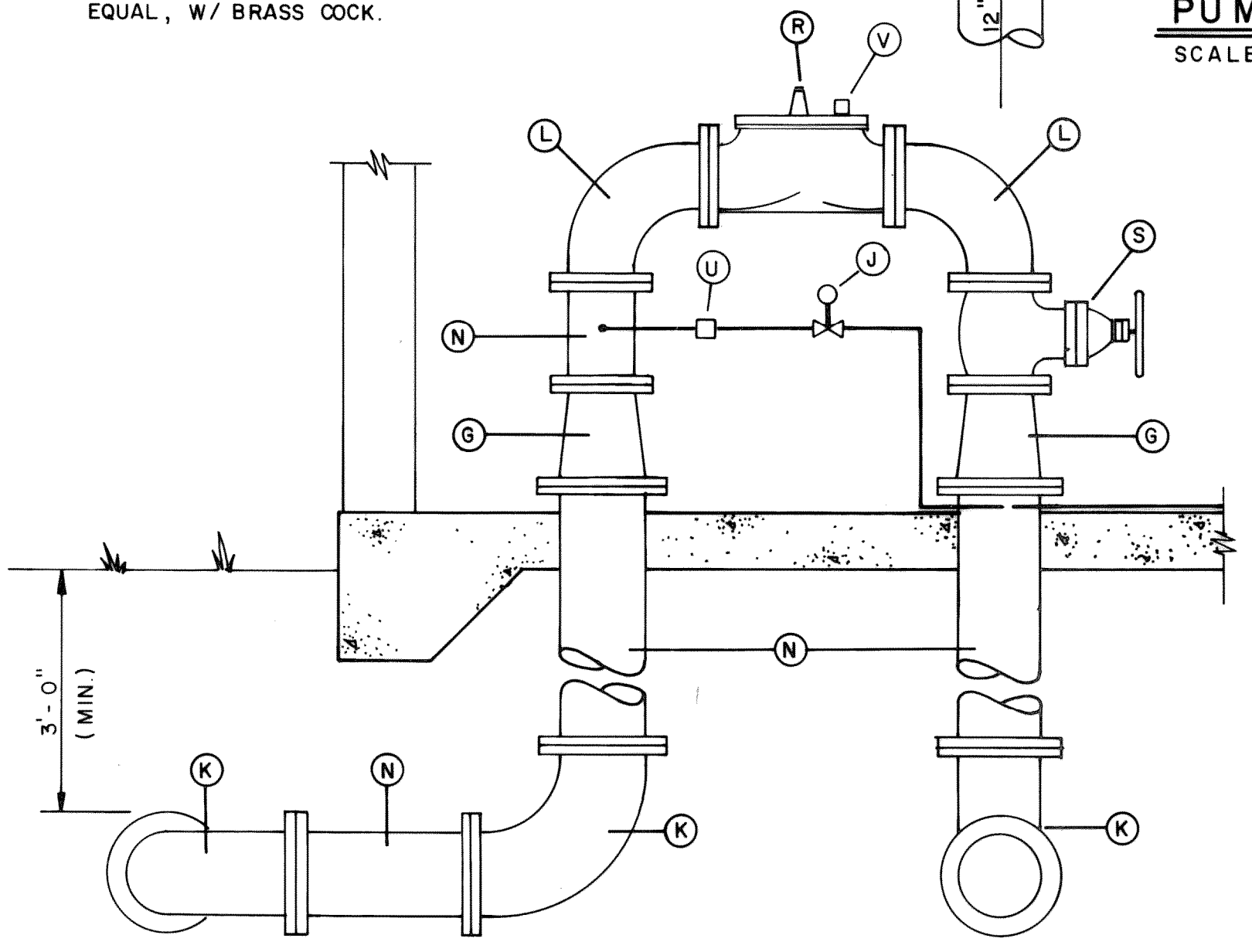
PUMP HOUSE PIPING AND FITTING SCHEDULE	
A	8" PE FLG'D. PIPE
B	12" x 12" x 12" - Side Outlet D.I. Tee
C	12" D.I. Suction Line
D	12" D.I. Discharge Line
E	8" Syle 38 Dresser Coupling
F	12" x 8" C.I. Concentric Reducer
G	8" x 12" C.I. Concentric Reducer
H	12" x 5" C.I. Eccentric Reducer
I	8" x 4" C.I. Short Radius 90° Reducing Elbow
J	1/2" SOLENOID VALVE 15 AMP 120 VOLT
K	12" C.I. Long Radius 90° Elbow
L	8" C.I. Short Radius 90° Elbow
M	5" C.I. Long Radius 90° Elbow
N	12" D.I. Spool
O	8" D.I. Spool
P	5" D.I. Spool
Q	8" Clayton 81B Check Valve
R	8" Cla-Val 58-01B SOLENOID CONTROL VALVE
S	8" Gate Valve
T	5" Gate Valve
U	CHLORINE EJECTOR (ADVANCE MODEL 201)
V	CLAYTON X-105L SWITCH
W	ADJUSTABLE PIPE SUPPORT
X	1" Tap & Globe Valve
Y	Chlorine DIFFUSER

NOTE: CONTRACTOR SHALL SUPPLY A DIMENSIONED DETAILED PUMP & PIPE LAYOUT TO THE ENGINEER THIS DETAIL SHALL BE BASED UPON ACTUAL PUMPS AND PIPING TO BE FURNISHED.

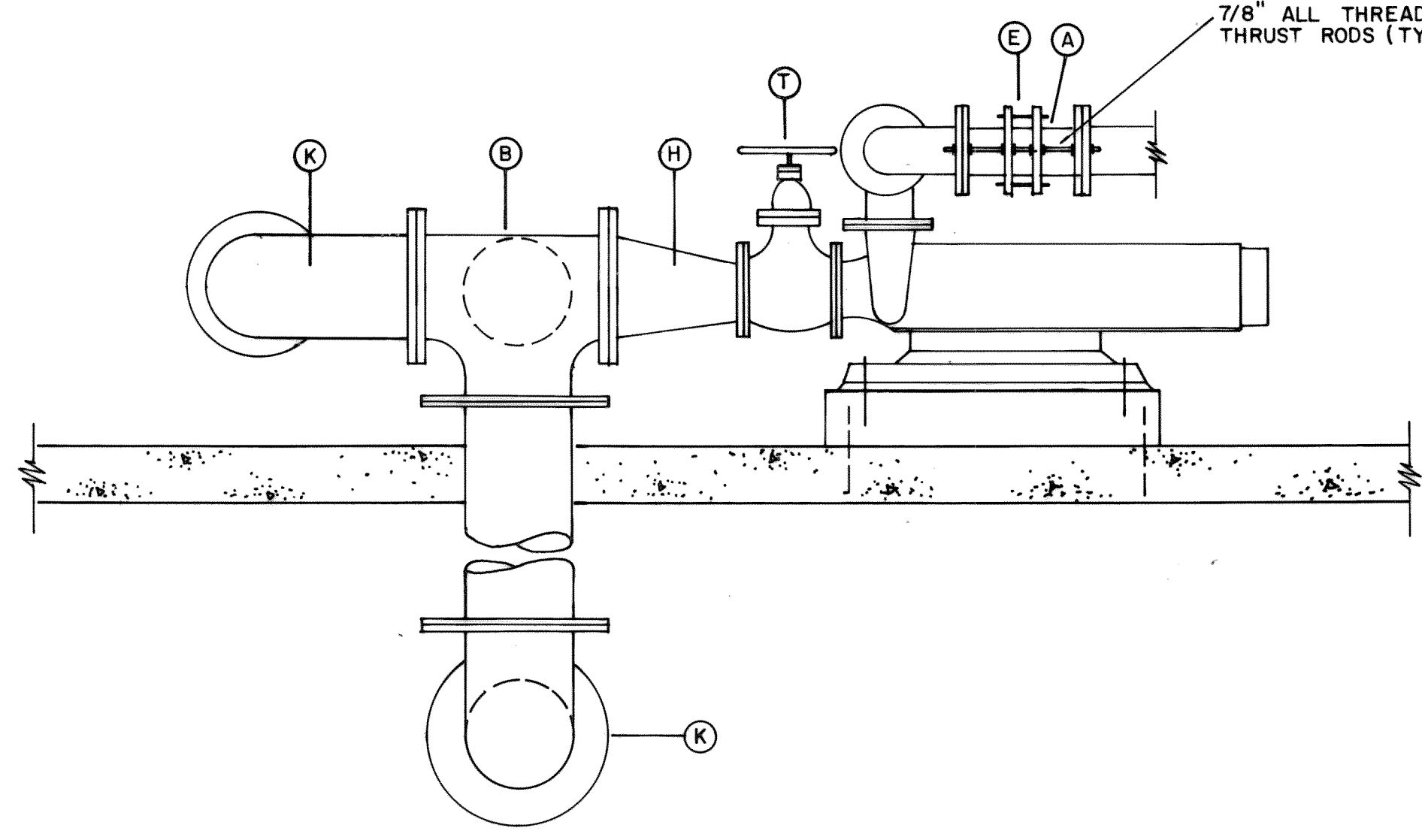
INSTALL ALTITUDE GAUGE, MARSH TYPE 101, CALIBRATED -10 + 50' OF FRESH WATER OR EQUAL, W/ BRASS COCK.

PUMP HOUSE PIPING DETAILS
SCALE: NONE

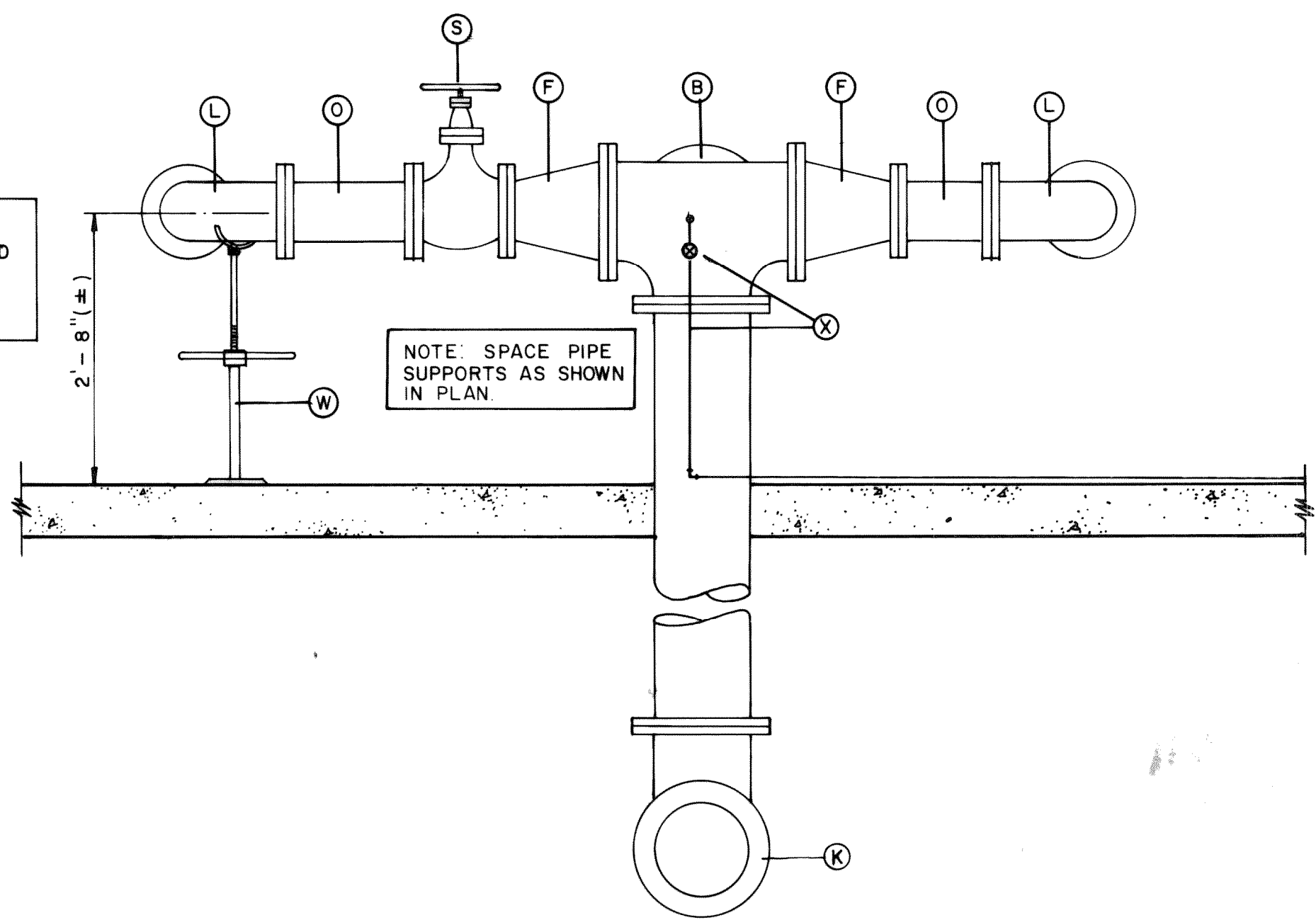
NOTE: TOPS OF PUMP SUCTION ECCENTRIC REDUCERS AND SUCTION PIPING SHALL FORM A STRAIGHT LEVEL LINE.



PIPING SECTION "A-A"
SCALE: NONE



PIPING SECTION "B-B"
SCALE: NONE



PIPING SECTION "C-C"
SCALE: NONE

4/6

12" TO STORAGE TANK

12" SUPPLY FEED

FLOOR DRAIN AS SPECIFIED

FLEXIBLE CONDUIT CONNECTED TO MOTOR LEADS (TYPICAL)

1" STEEL PIPE TO CHLORINATOR EJECTOR

2" CONDUITS TO PUMPS FROM CONTROL PANEL

3/4" CONDUIT TO COMPRESSOR

WALL MOUNTED CONTROL PANEL (SEE ELECTRICAL DETAILS)

FURNISH & INSTALL GENERAL ELECTRIC MODEL H-9 SPACE HEATER 1650 W, 5600 BTU/HOUR RADIANT & FAN, OR EQUAL

WALL HEATER

NOTE: TOPS OF PUMP SUCTION ECCENTRIC REDUCERS AND SUCTION PIPING SHALL FORM A STRAIGHT LEVEL LINE.

7/8" ALL THREAD THRUST RODS (TYPICAL)

HAROLD L. EVANS
CONSULTING ENGINEER
2331 GUS THOMASSON RD. SUITE 102
DALLAS, TEXAS 75228
PHONE (214) 328-8133

BLACKLAND WATER-SUPPLY CORP.
WATER DISTRIBUTION CENTER
PUMPS & PIPING DETAILS
ROCKWALL COUNTY, TEXAS



9-16-85 REVISED (DESIGN REQUIREMENTS)

SCALE	DATE	JOB NO.
AS SHOWN	8-8-85	78144