

MINIMUM THRUST BLOCK DIMENSIONS

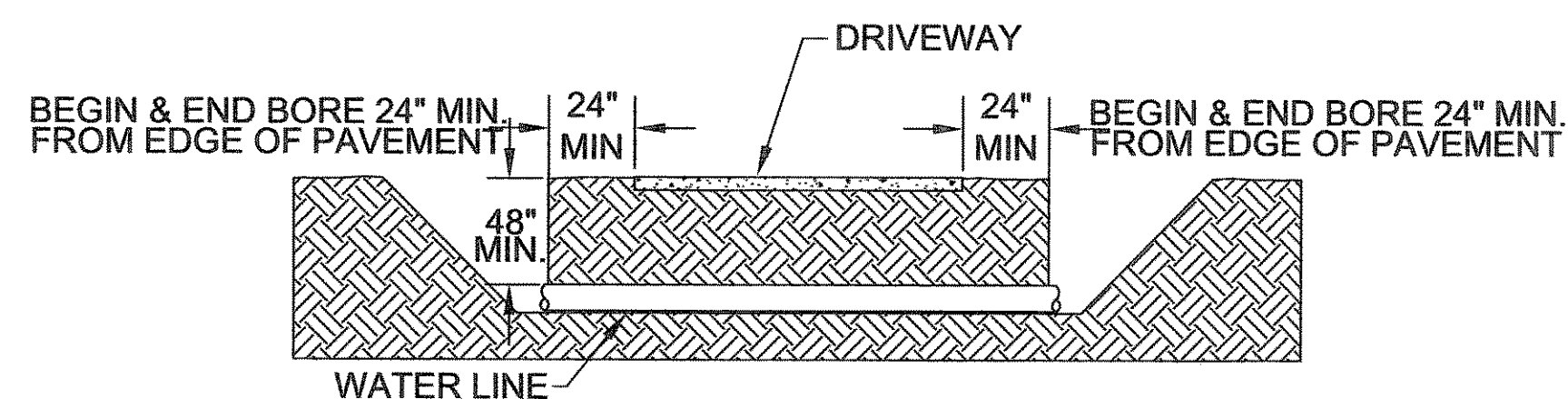
PIPE SIZE	A	B	C	D	E	F
6"	18"	20"	12"	26"	18"	18"
8"	22"	26"	14"	29"	21"	22"
10"	28"	34"	18"	35"	25"	28"
12"	34"	40"	20"	42"	30"	34"

**THRUST BLOCK DETAILS**

NOT TO SCALE

NOTES:

1. SELECT BACKFILL SHALL BE SOIL MATERIAL. ROCK IN SELECT BACKFILL SHALL BE LIMITED TO 2" MAX. DIMENSION.
2. SELECT BACKFILL SHALL BE COMPACTED TO 90% OF STANDARD PROCTOR DENSITY.
3. FINISH GRADE TO MATCH EXISTING ELEVATIONS.

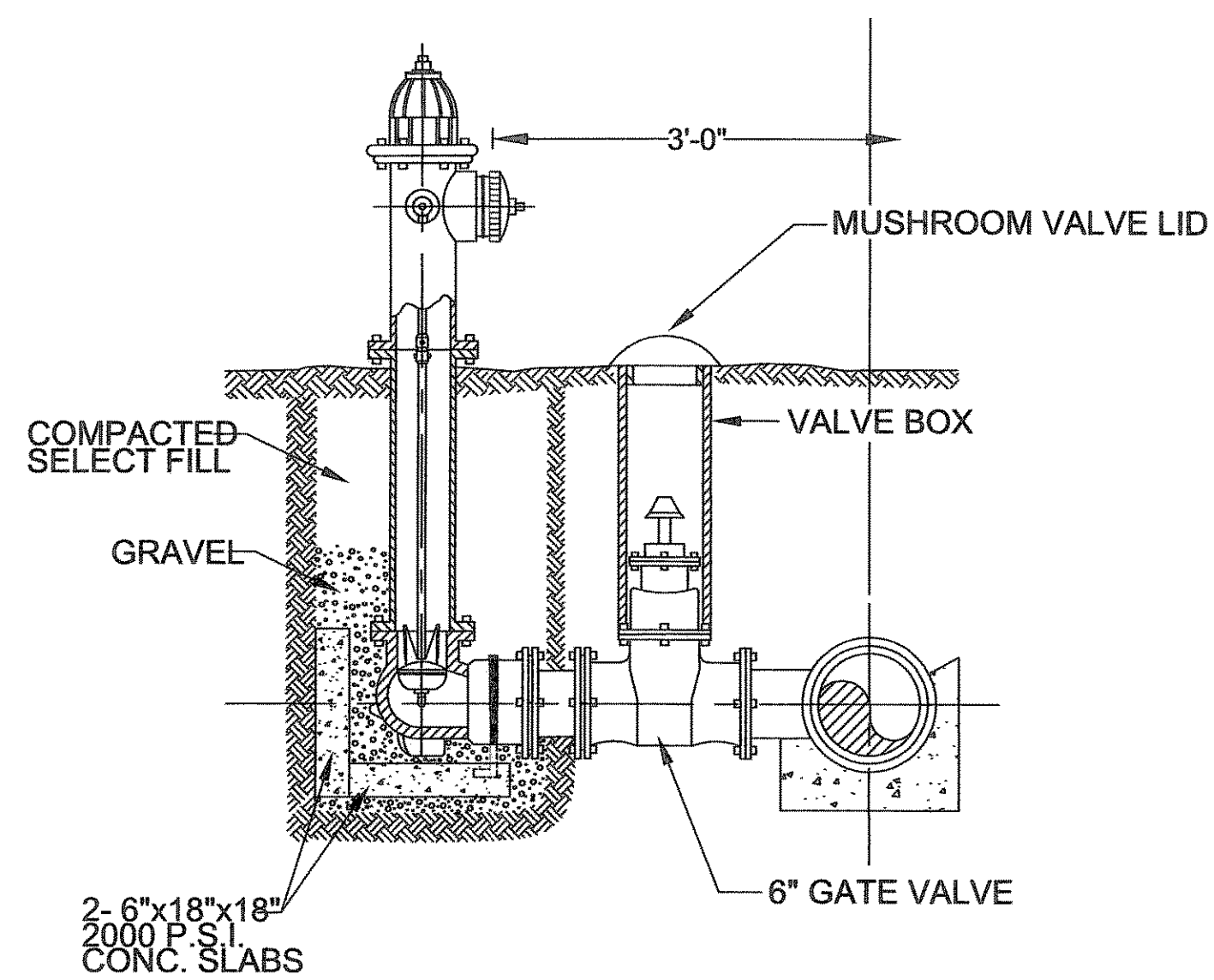


**CONCRETE/ASPHALT/ROCK DRIVEWAY BORE DETAIL**

NOT TO SCALE

NOTES:

1. KEEP DRAIN HOLE UNCLOGGED
2. HYDRANT SHALL BE MANUFACTURED BY THE MUELLER CO. OR AN APPROVED EQUAL.

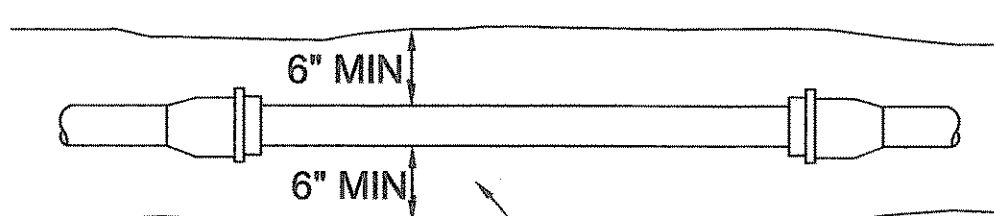


**FIRE HYDRANT WITH AUXILIARY VALVE DETAIL**

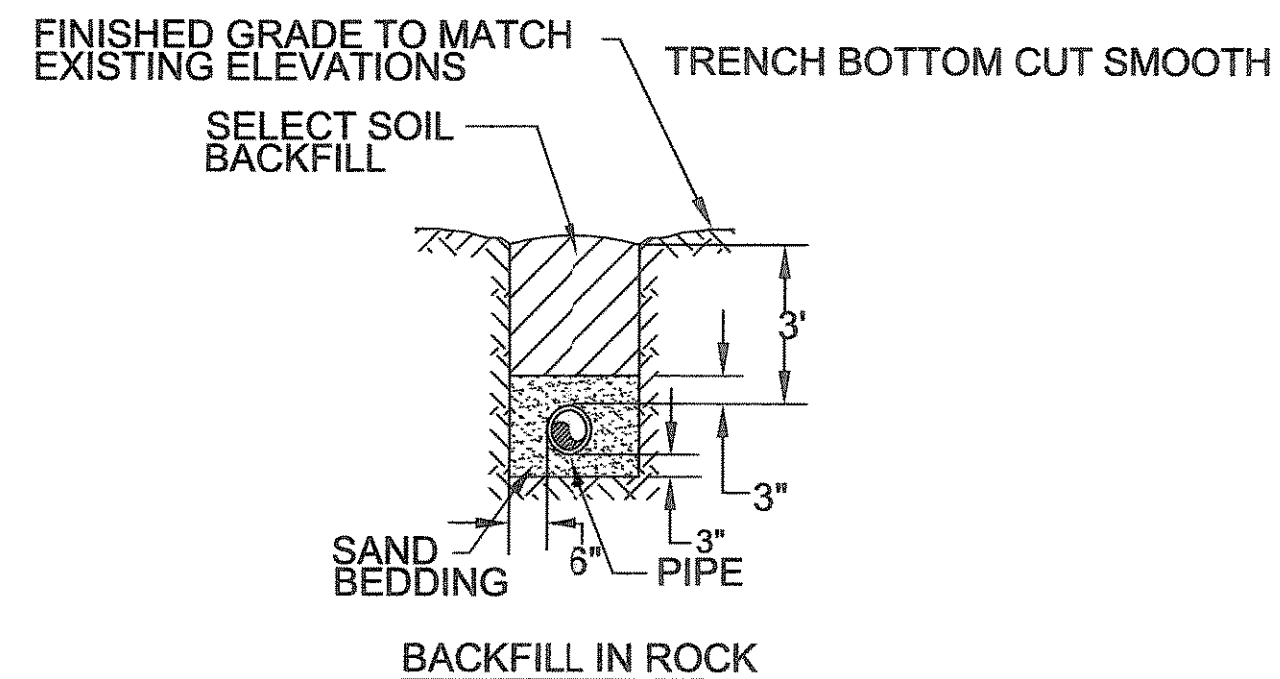
NOT TO SCALE

GENERAL NOTES:

1. SELECT BACKFILL SHALL BE SOIL MATERIAL. ROCK IN SELECT BACKFILL SHALL BE LIMITED TO 2" MAX. DIMENSION.
2. ABOVE DETAILS SHALL APPLY TO ALL PVC WATER PIPE 12" IN DIAMETER AND SMALLER.



PLAN VIEW

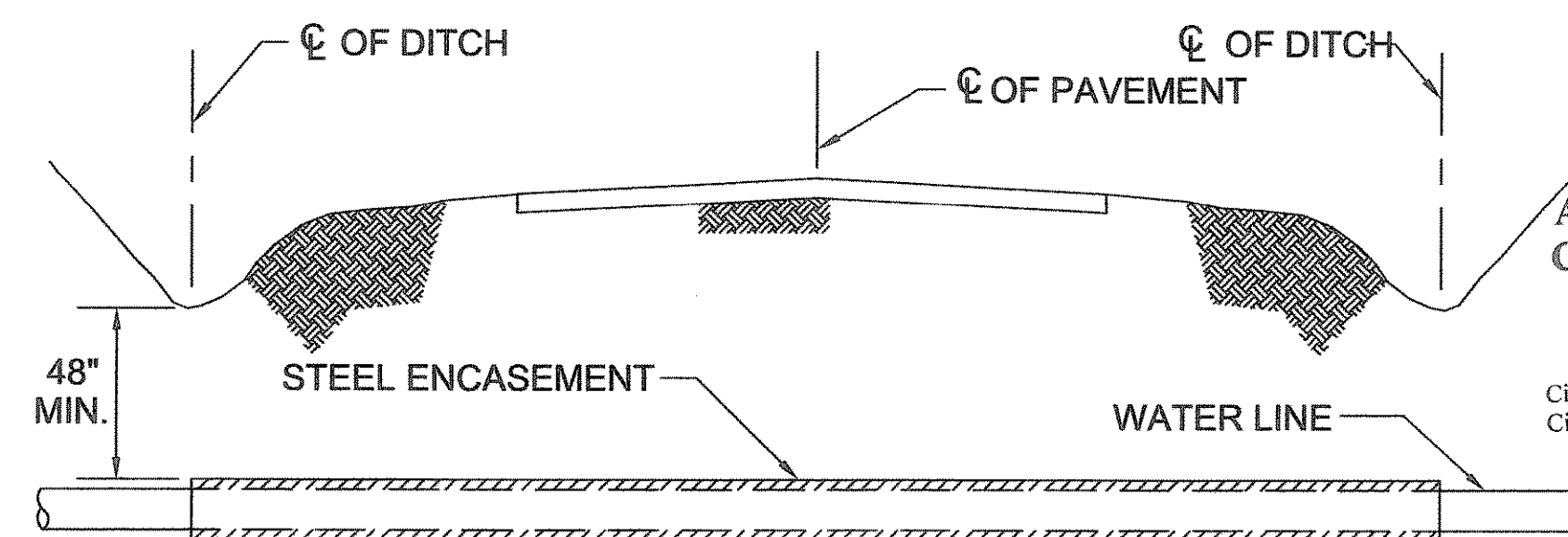
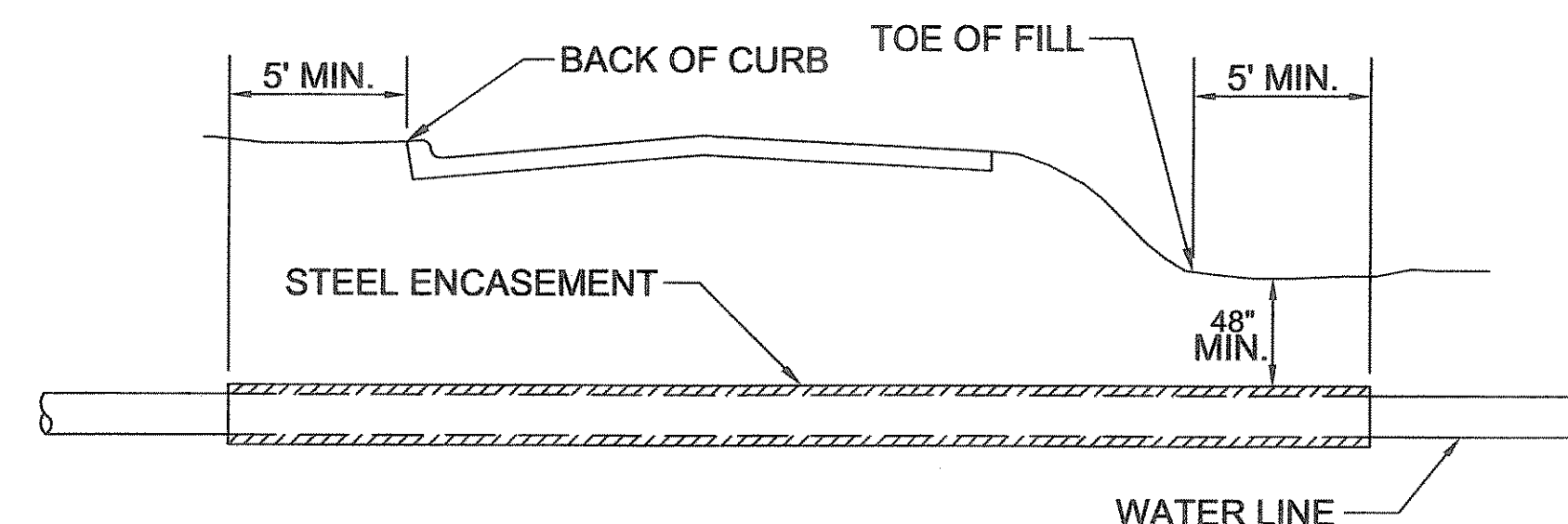


**LAYING DETAILS FOR PVC WATER PIPE**

NOT TO SCALE

GENERAL NOTES:

1. ALL WATER LINE PIPE SHALL BE C-900 PVC. SAND EMBEDMENT IS REQUIRED.
2. ALL WATER LINES SHALL BE BURIED WITH 48" COVER. (INCLUDING PIPES LAID IN DITCHES.)
3. ALL VALVES AND FITTINGS WILL BE PROPERLY BLOCKED AND RESTRAINED WITH MEGALUGS AND RETAINER GLANDS INSTALLED ON ALL FITTINGS.
4. CONTRACTOR SHALL FIELD VERIFY THE LOCATION AND SIZE FOR ALL WATER LINES, THE LOCATION OF ALL ELECTRICAL UTILITY LINES, AND THE PRESENCE AND LOCATION OF ALL OTHER EXISTING UTILITIES IN THE AREA.
5. ALL FITTINGS ARE TO BE CAST IRON OR DUCTILE IRON.
6. CONTRACTOR SHALL FINISH GRADE TRENCH LINE TO MATCH EXISTING TERRAIN UPON PROPER SETTLEMENT.
7. NO COVERING OF LINES ALLOWED UNTIL INSPECTED BY BLACKLAND WSC'S APPOINTED REPRESENTATIVE.
8. ALL RULES AND REGULATIONS FOR PUBLIC WATER SYSTEMS AS REQUIRED BY THE TEXAS COMMISSION ON ENVIRONMENTAL QUALITY (TCEQ) MUST BE MET.
9. ALL DRIVES SHALL BE BORED
10. STEEL CASING MUST BE INSTALLED UNDER ALL STATE AND COUNTY ROADS. A ROAD BORE PERMIT MUST BE DISPLAYED AND AVAILABLE FOR INSPECTION IF APPLICABLE.

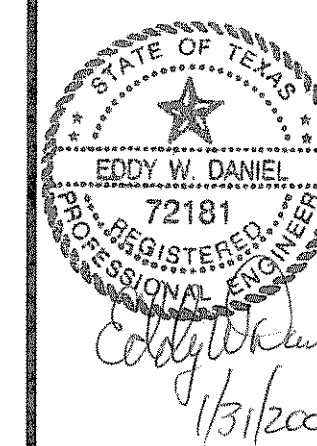


**ROAD BORE & ENCASEMENT DETAILS**

NOT TO SCALE

APPROVED FOR CONSTRUCTION  
FEB 3 2005

City of Rockwall Engineering Dept.  
City Engineer:



NO.	REVISION	DATE	BY	FOR
1		12/20/04	E.W.D.	DESIGNED
2			J.R.	DRAWN
3				CHECKED
4				E.W.D.

FM 549 NORTH EXTENSION  
WATERLINE IMPROVEMENT PLAN  
FOR  
BLACKLAND WATER SUPPLY CORPORATION  
ROCKWALL COUNTY, TEXAS

DETAILS

**DANIEL & BROWN INC.**  
ENGINEERS/CONSULTANTS/PLANNERS  
118 McKinney St.  
P.O. Box 606  
Farmersville, Texas 75442  
Phone 872-784-7777  
Fax 872-782-7721  
EDDY@DBIConsultants.com