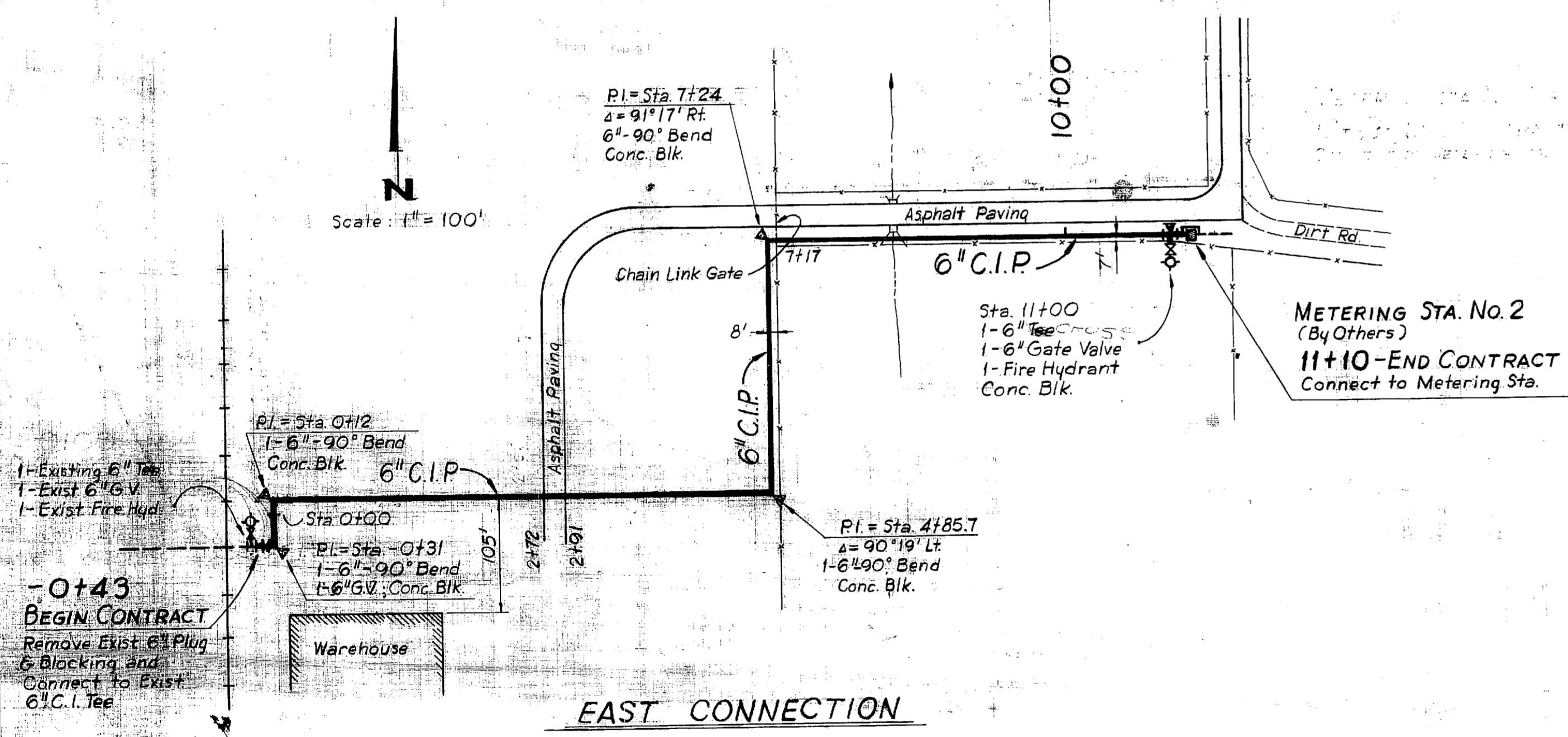
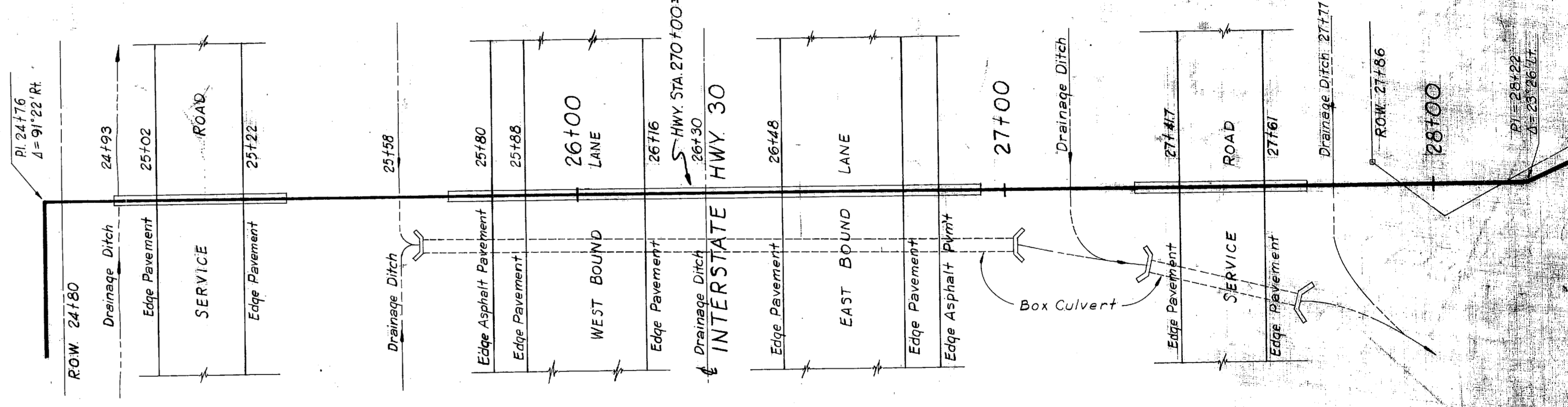


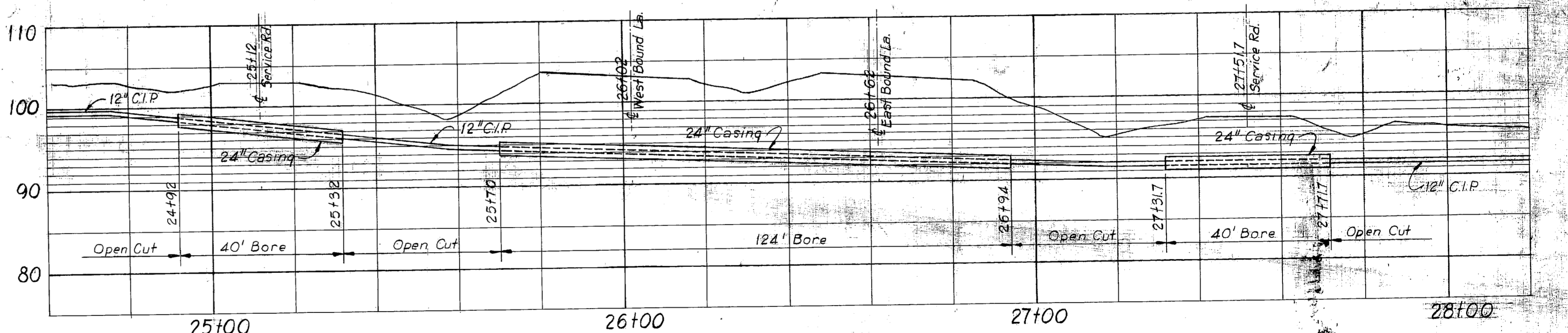
SOUTHEAST CONNECTION



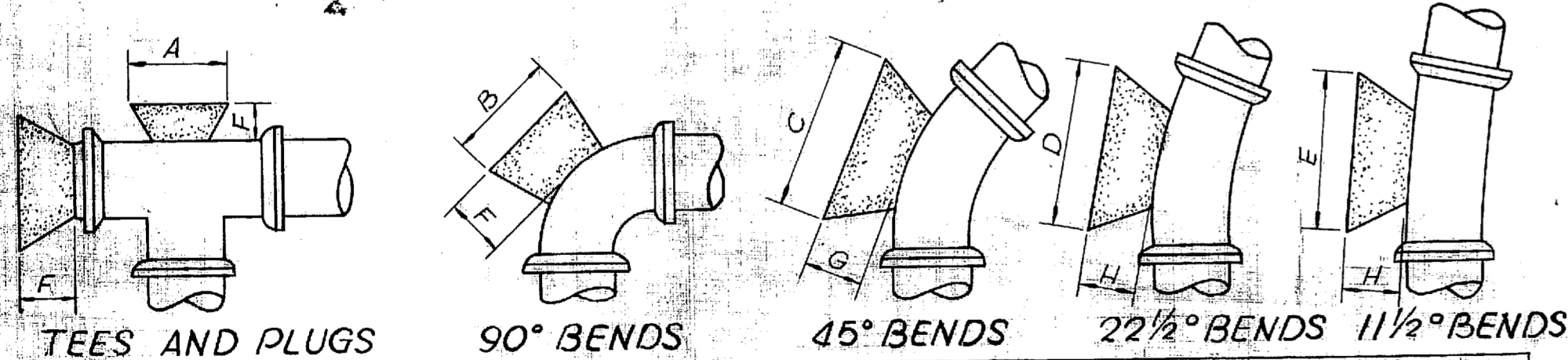
EAST CONNECTION



PLAN



PROFILE



Diameter	SQUARE FEET (MINIMUM) AND CONCRETE QUANTITIES										DEPTH FEET (MINIMUM)		
	A	Cu. Yds.	B	Cu. Yds.	C	Cu. Yds.	D	Cu. Yds.	E	Cu. Yds.	F	G	H
6"	3	0.10	3	0.10	2	0.10	2	0.10	-	-	1.5	1.5	-
8"	4	0.15	4	0.15	2	0.10	2	0.10	-	-	1.5	1.5	1.0
10"	6	0.25	6	0.25	3	0.15	2	0.10	-	-	2.0	2.0	1.0
12"	6	0.40	6	0.40	4	0.20	3	0.15	2	0.10	2.0	2.0	1.5

NOTE: The concrete quantities noted above shall be used for payment at the unit price bid for concrete blocking. Contractor shall form and pour concrete so as to leave joints accessible for caulking.

CONCRETE BLOCKING DETAILS

REVISED AS BUILT
DATE 12-30-69



CITY OF ROCKWALL, TEXAS
WATER SYSTEM IMPROVEMENTS
WATER LINE EXTENSION
BLACKLAND WATER SUPPLY CORPORATION CONNECTION

DESIGNED: D.L.D.
 DRAWN: G.E.B.
 TRACED: C.E.F.
 CHECKED: J.F.N.

FRESE, NICHOLS & ENDRESS
 CONSULTING ENGINEERS
 FORT WORTH, TEXAS

DATE: MARCH 1966
 SCALE: AS SHOWN
 SHEET NO. 1