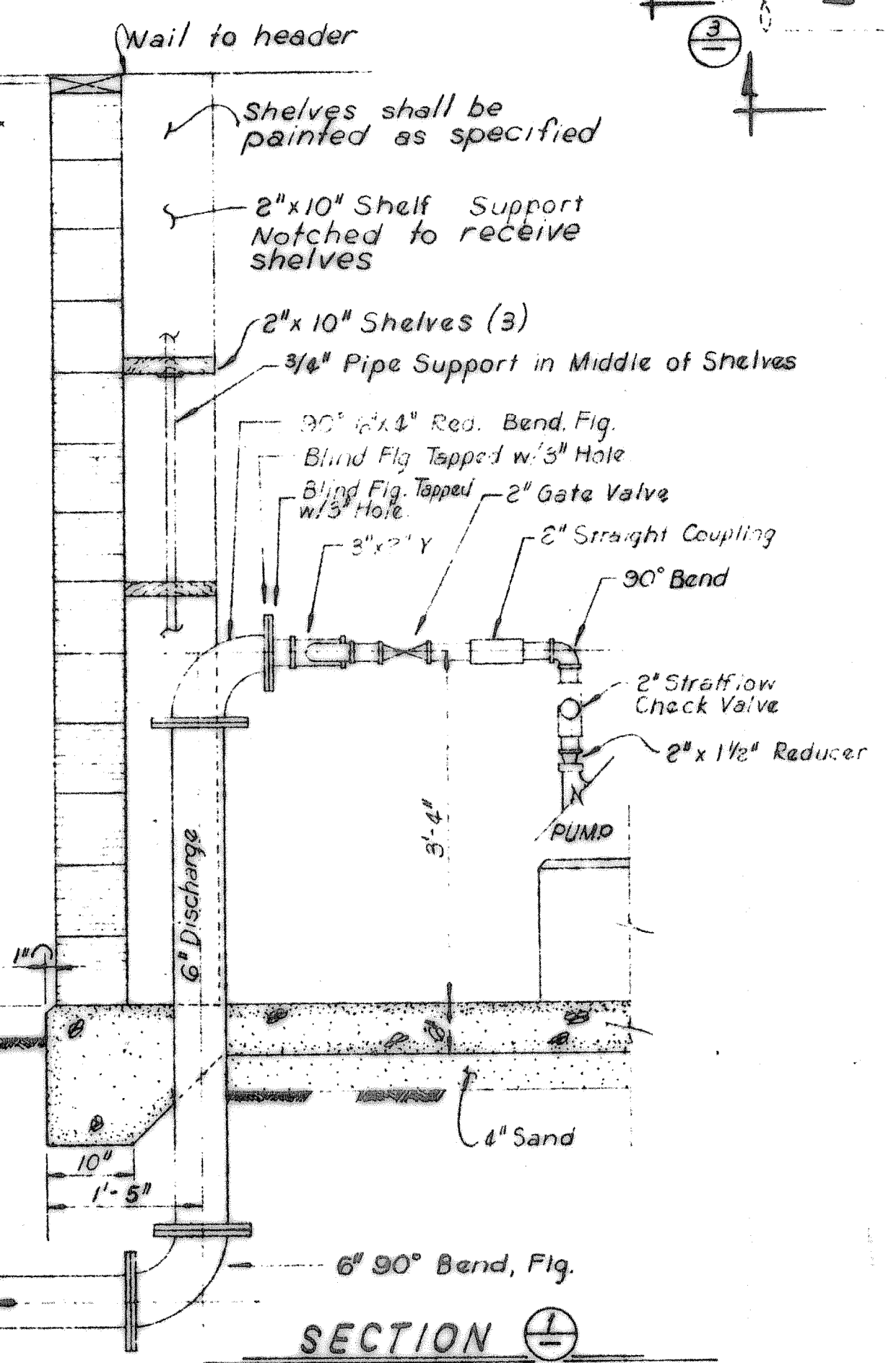
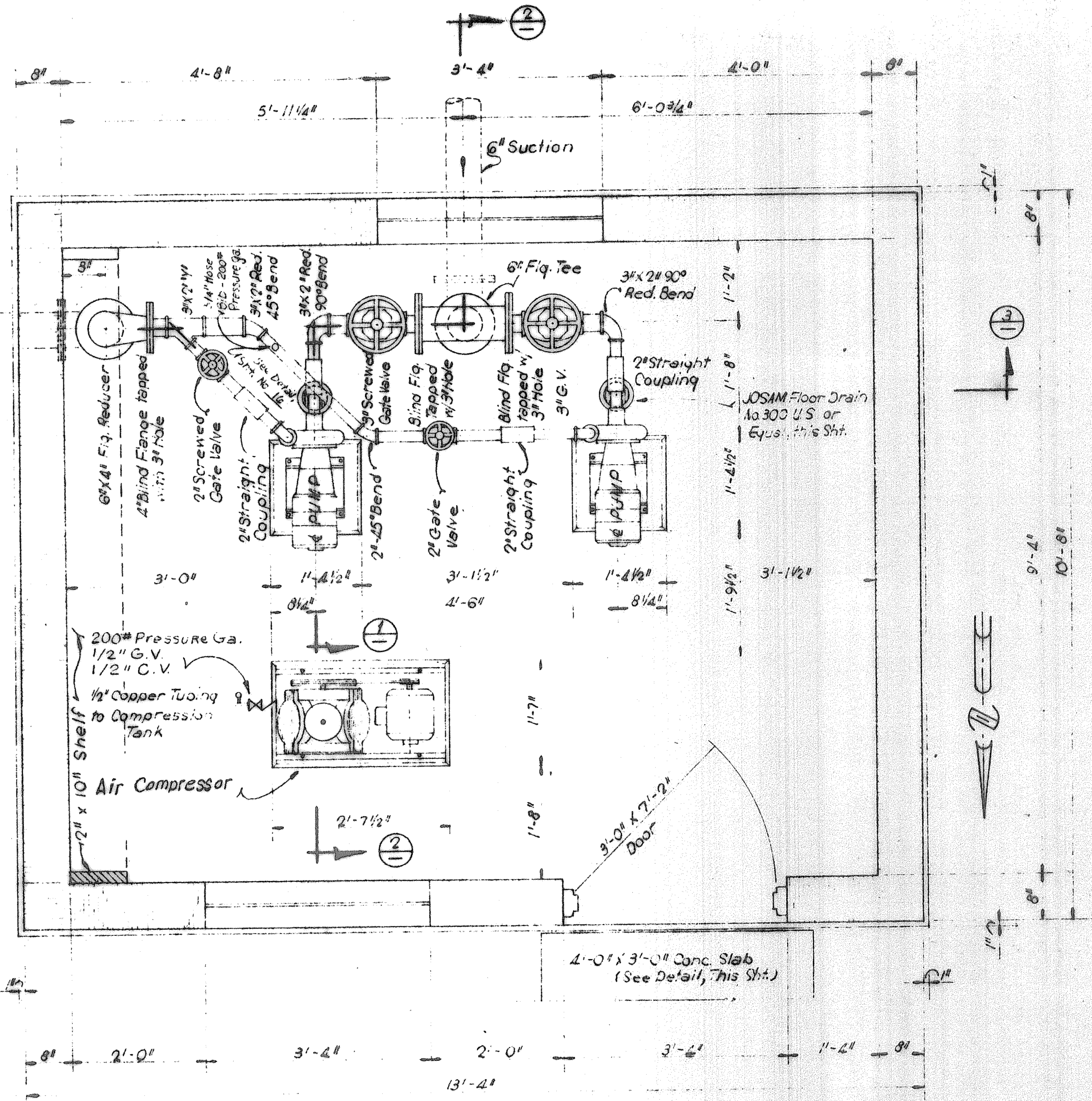


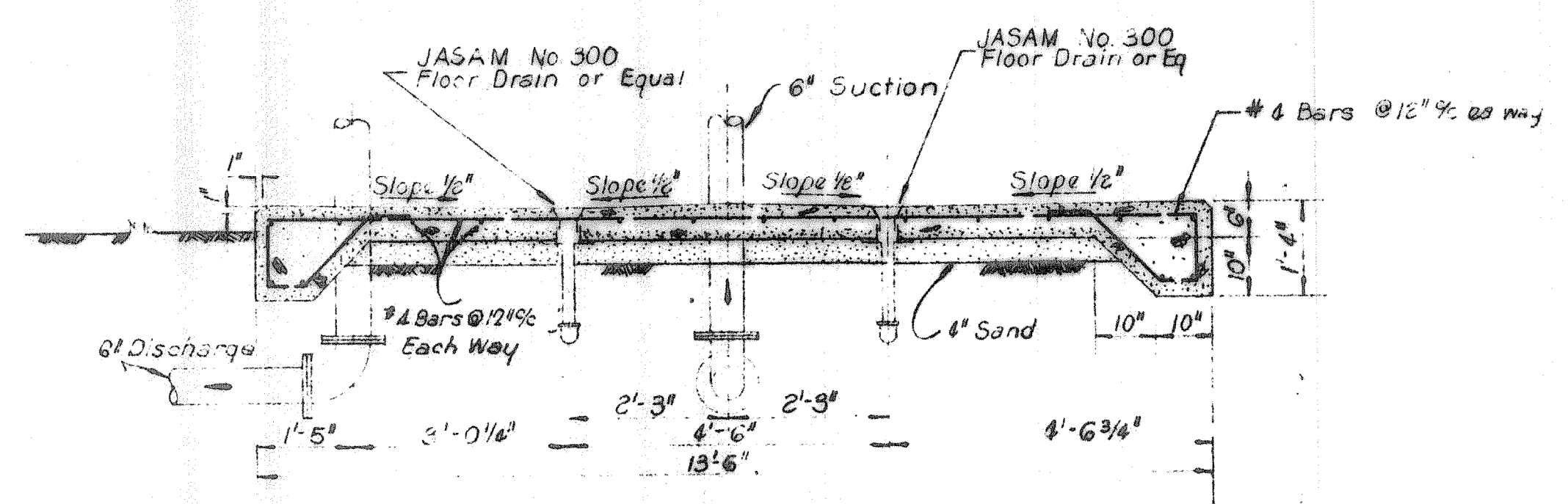
LAYOUT ~ WATER PLANT No. 3
Scale of 1/8" = 1'-0"



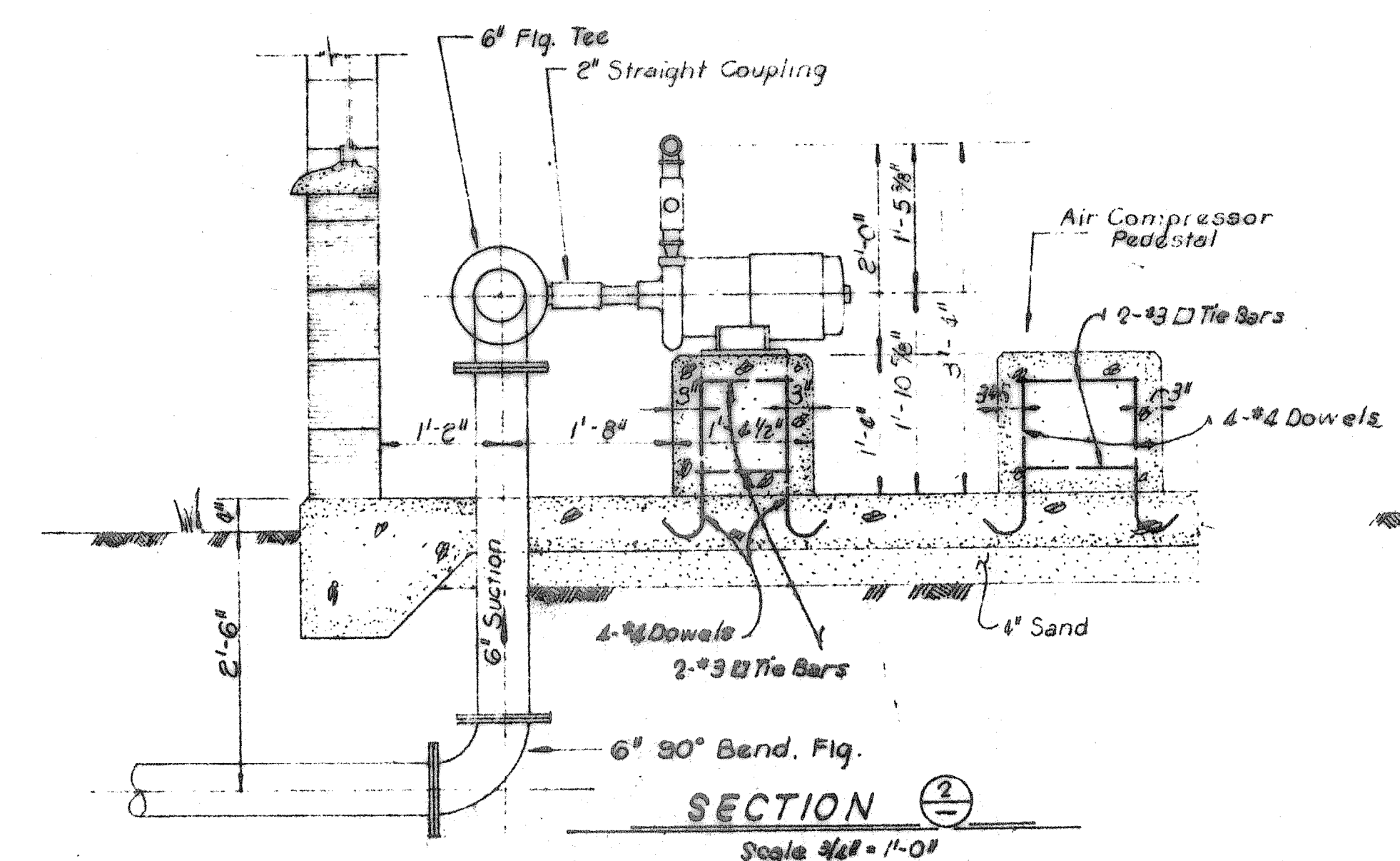
SECTION 1
Scale 3/4" = 1'-0"



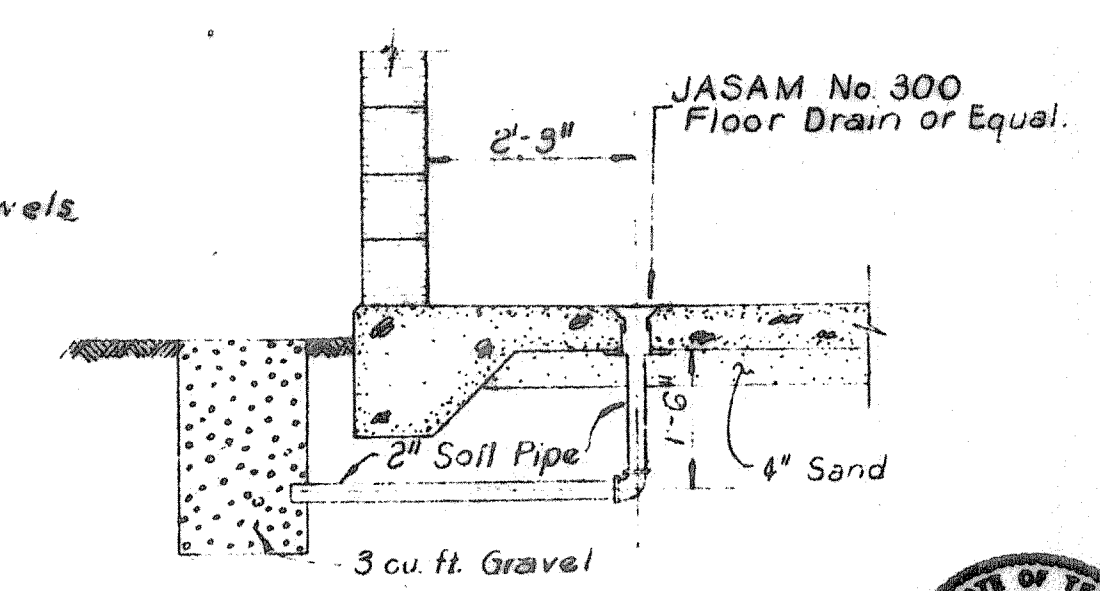
PLAN
Scale 3/4" = 1'-0"



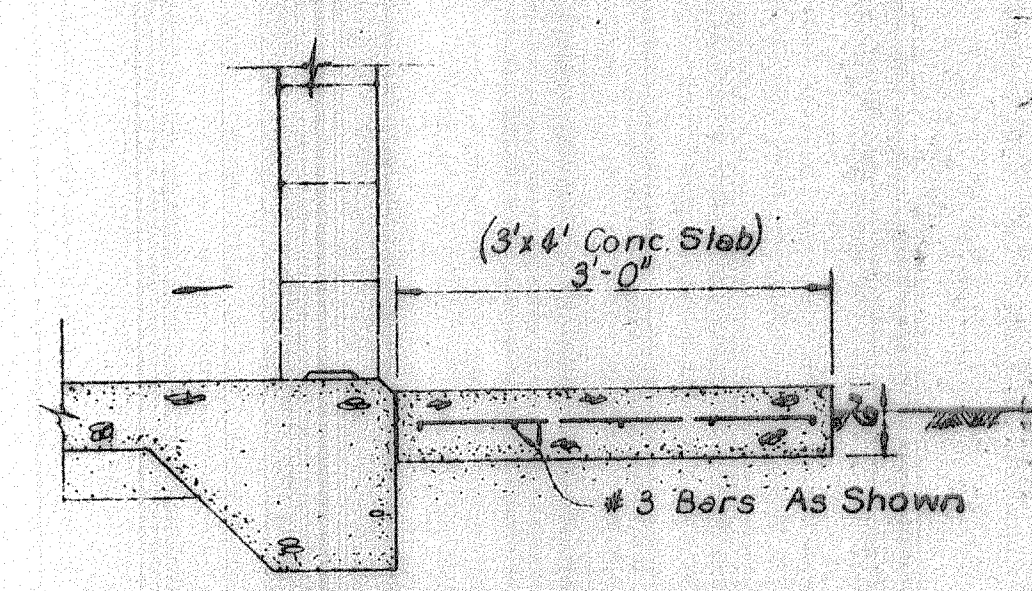
SECTION 2
Scale 1/2" = 1'-0"



SECTION 2
Scale 3/4" = 1'-0"



DRAIN DETAIL
Scale 1/2" = 1'-0"



CONCRETE LANDING DETAIL
Scale 3/4" = 1'-0"

JANUARY, 1968

BLACKLAND WATER SUPPLY CORP.
ROCKWALL COUNTY, TEXAS

WATER DISTRIBUTION SYSTEM

LAYOUT
WATER PLANT No. 3

DESIGNED: D.L.D.	FREESE, NICHOLS & ENDRESS	DATE: Dec 1968
DRAWN: C.D.G.	CONSULTING ENGINEERS	SCALE: 1" = 100'
TRACED: C.D.G.	FORT WORTH, TEXAS	Sheet No. of 22 18
CHECKED: R.L.N.		

