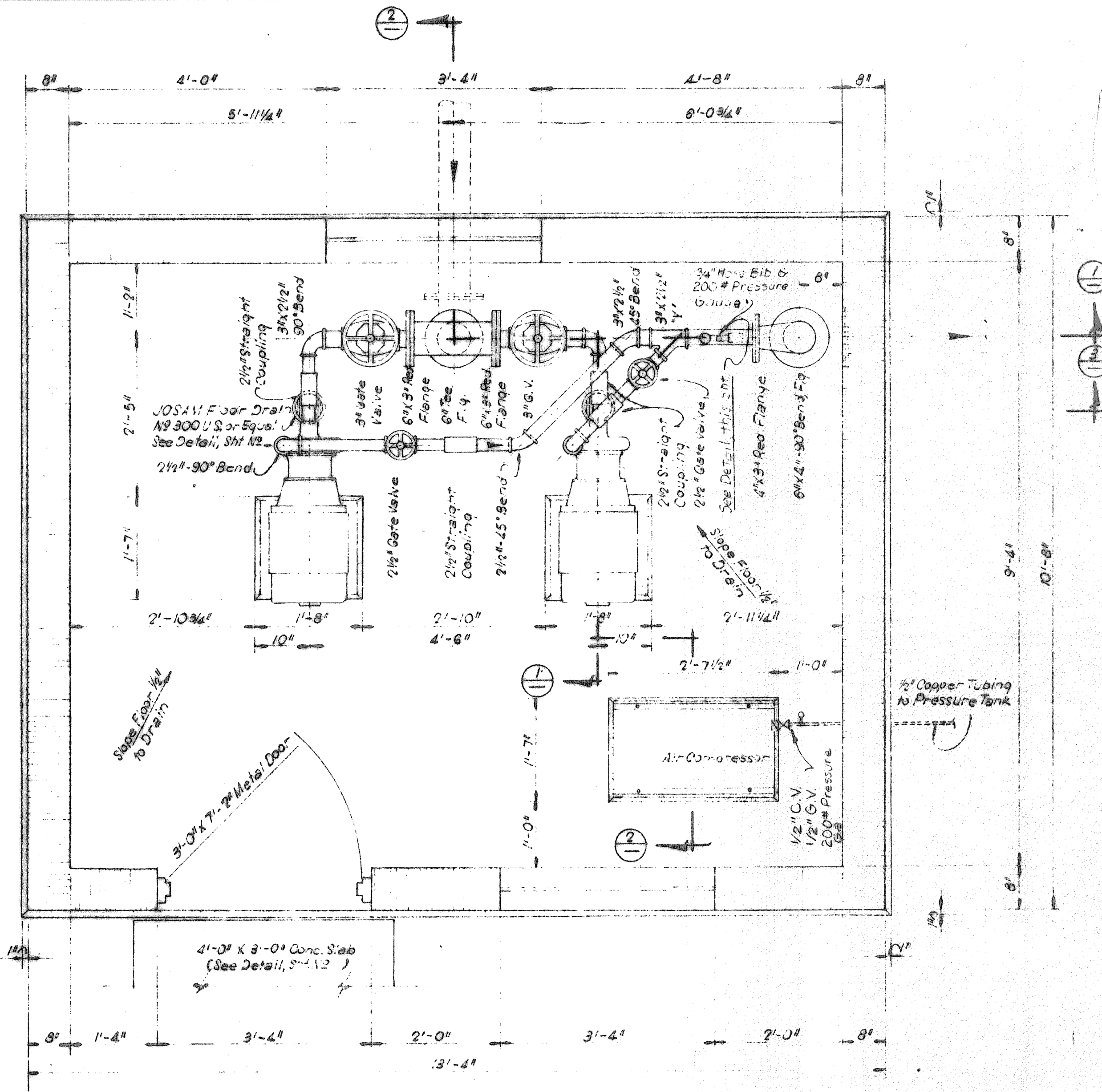
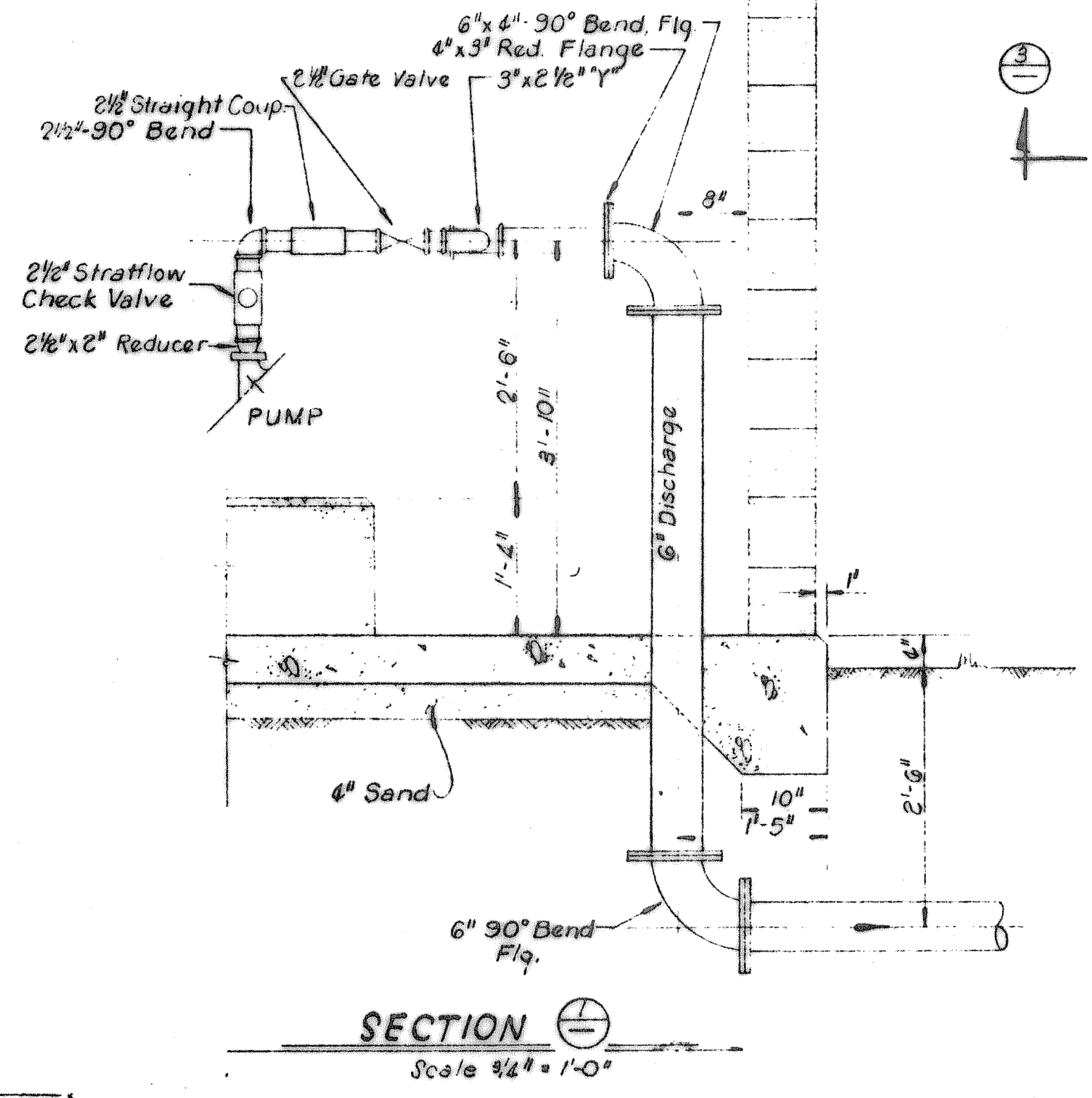
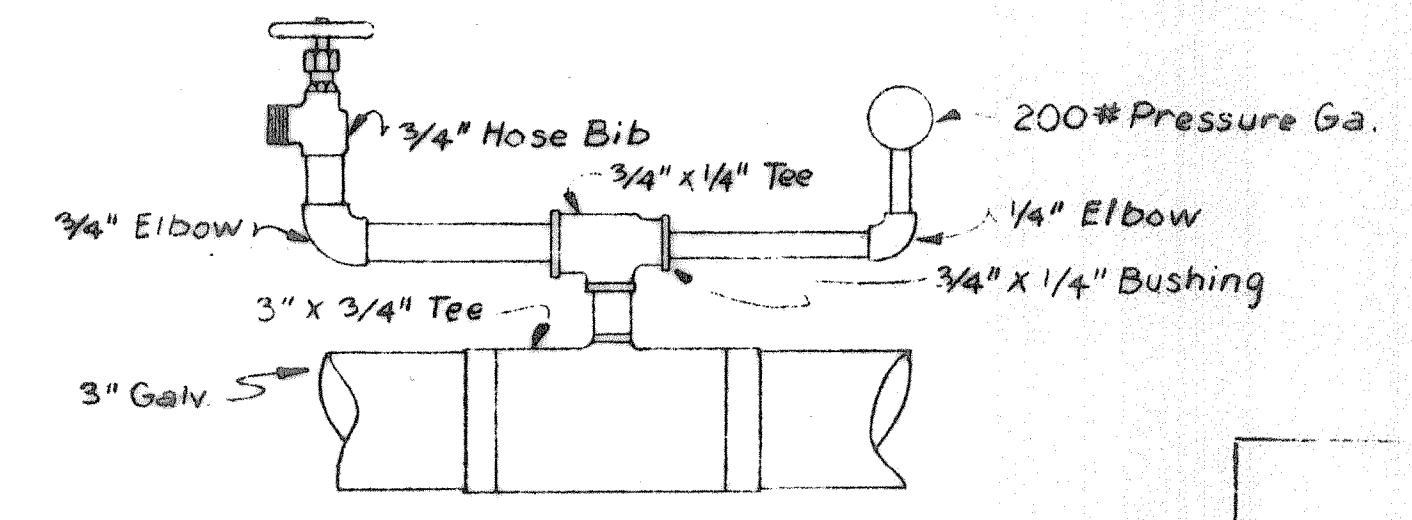
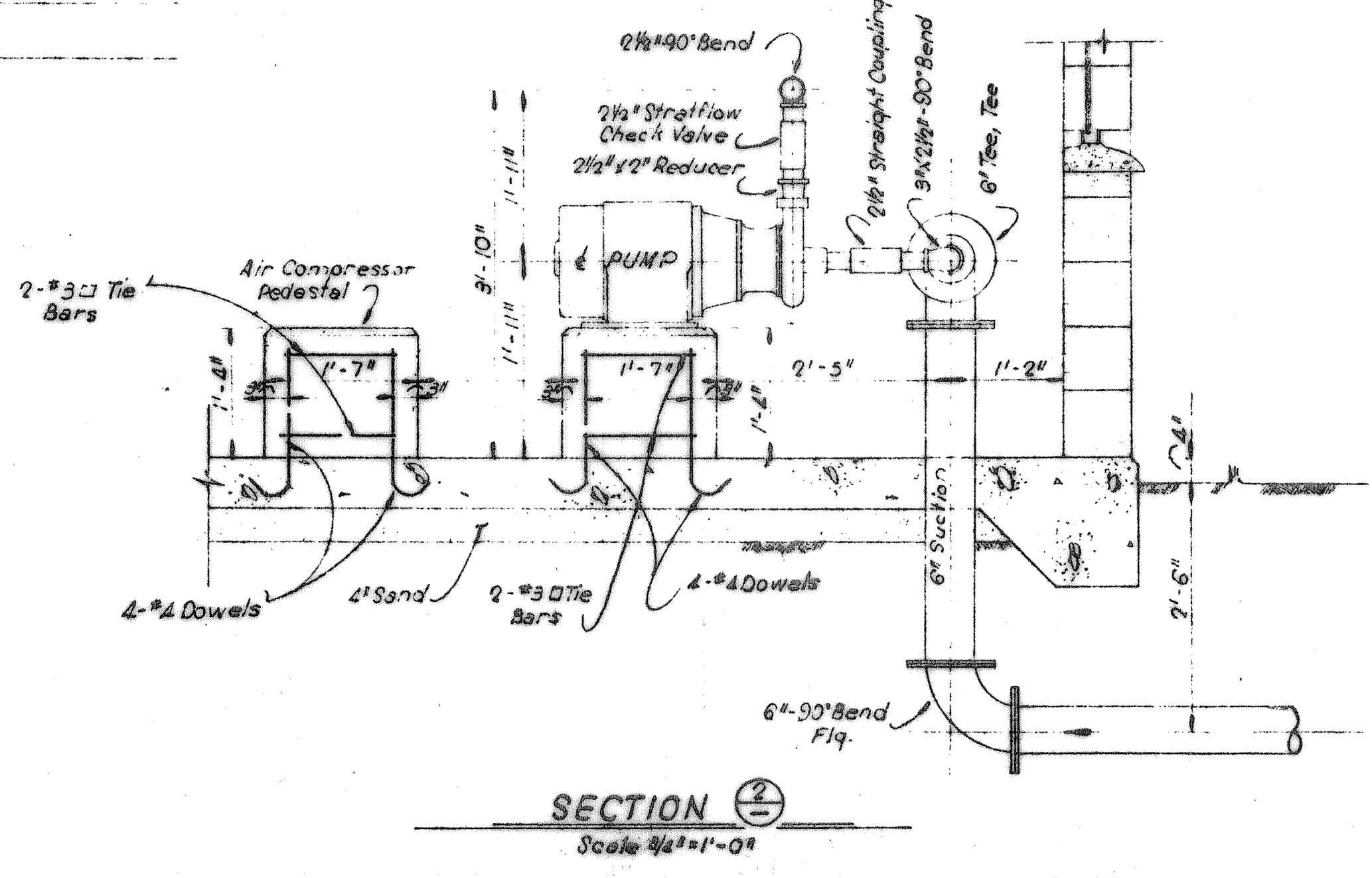
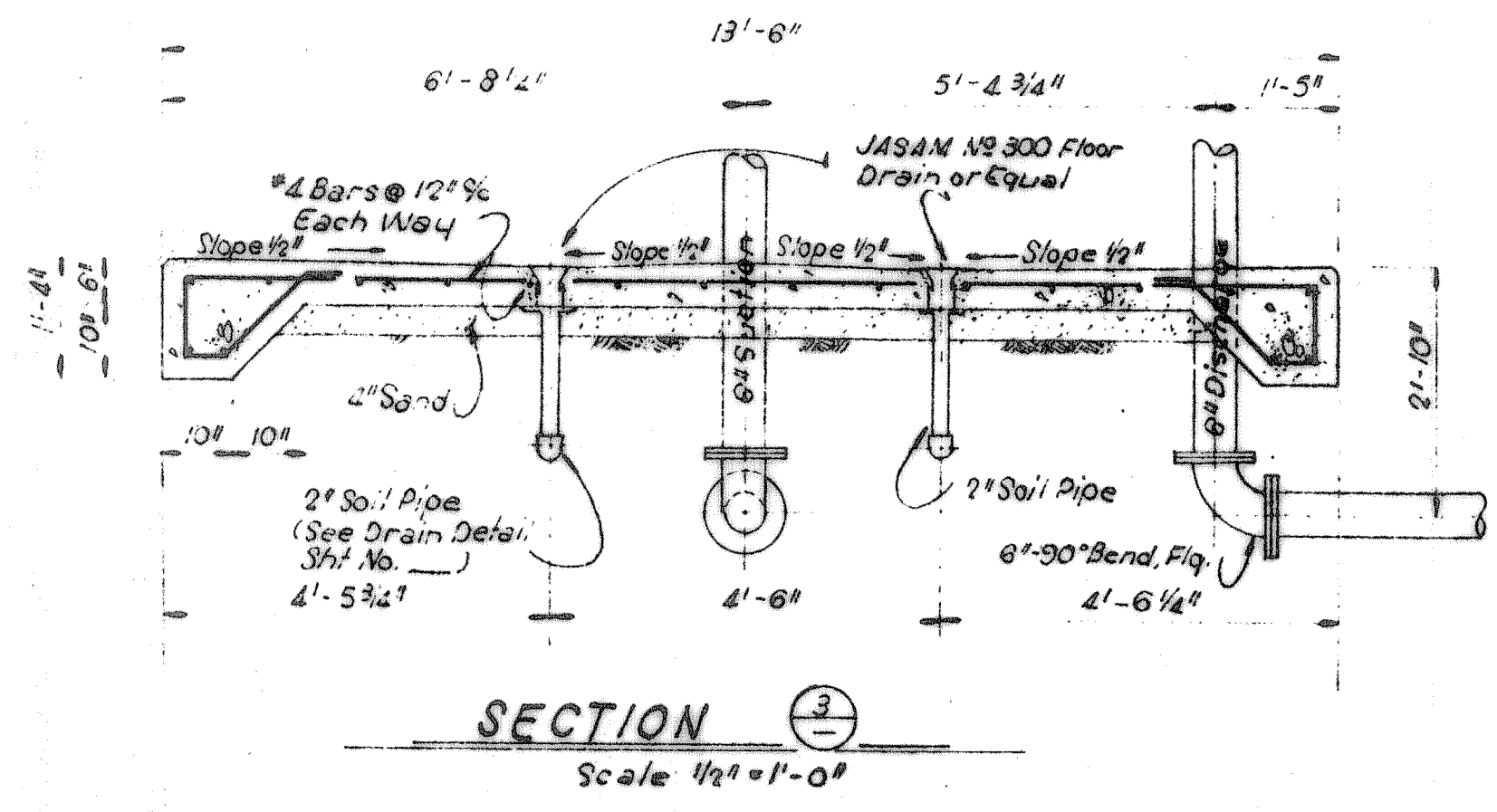


NOTE:
All piping inside of fence to be included in Pump Station lump sum bid.

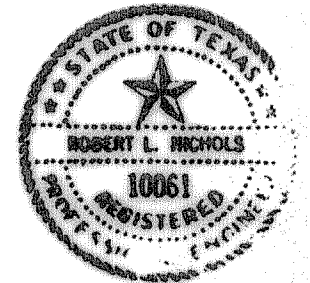


LAYOUT - WATER PLANT NO 1



JANUARY, 1968

BLACKLAND WATER SUPPLY CORP. ROCKWALL COUNTY, TEXAS	
WATER DISTRIBUTION SYSTEM	
LAYOUT WATER PLANT No. 1	
DESIGNED: D.L.D. DRAWN: C.D.G. TRACED: C.D.G. CHECKED: R.L.N.	DATE: Dec. 1965 SCALE: Sheet No. of 22



FREESE, NICHOLS & ENDRESS
CONSULTING ENGINEERS
FORT WORTH, TEXAS