

CONSTRUCTION PLANS
OF
AQUA UTILITIES WASTEWATER
TREATMENT PLANT CLOSURE
FOR
AQUA TEXAS, INC.
ROCKWALL COUNTY, TEXAS
NOVEMBER, 2013
~ RECORD DRAWINGS ~



VELVIN & WEEKS
CONSULTING ENGINEERS, INC.

PHONE 903.675.3903
FAX 903.675.8345
VWCE@VELVIN-WEEKS.COM

930 EAST CORSICANA
ATHENS, TEXAS 75751

TEXAS REGISTERED ENGINEERING FIRM F-151

GENERAL NOTES

1. THE CONTRACTOR IS SPECIFICALLY CAUTIONED THAT THE LOCATION AND/OR ELEVATION OF EXISTING UTILITIES AS SHOWN ON THESE PLANS IS BASED ON RECORDS OF THE VARIOUS UTILITY COMPANIES AND WHERE POSSIBLE, MEASUREMENTS TAKEN IN THE FIELD. THE INFORMATION IS NOT TO BE RELIED UPON AS BEING EXACT OR COMPLETE. THE CONTRACTOR MUST CALL THE APPROPRIATE UTILITY COMPANY AT LEAST 48 HOURS BEFORE ANY EXCAVATION TO REQUEST EXACT FIELD LOCATION OF UTILITIES WHICH CONFLICT WITH THE PROPOSED IMPROVEMENTS SHOWN ON THE PLANS. THE CONTRACTOR SHALL PRESERVE AND PROTECT ALL EXISTING UTILITIES FROM DAMAGE DURING CONSTRUCTION. ANY DAMAGE BY THE CONTRACTOR TO EXISTING UTILITIES SHALL BE REPAIRED BY THE CONTRACTOR AT HIS EXPENSE, WHETHER THE UTILITY IS SHOWN ON THE PLANS OR NOT.

2. ALL FENCES AND GATES SHALL BE REMOVED.

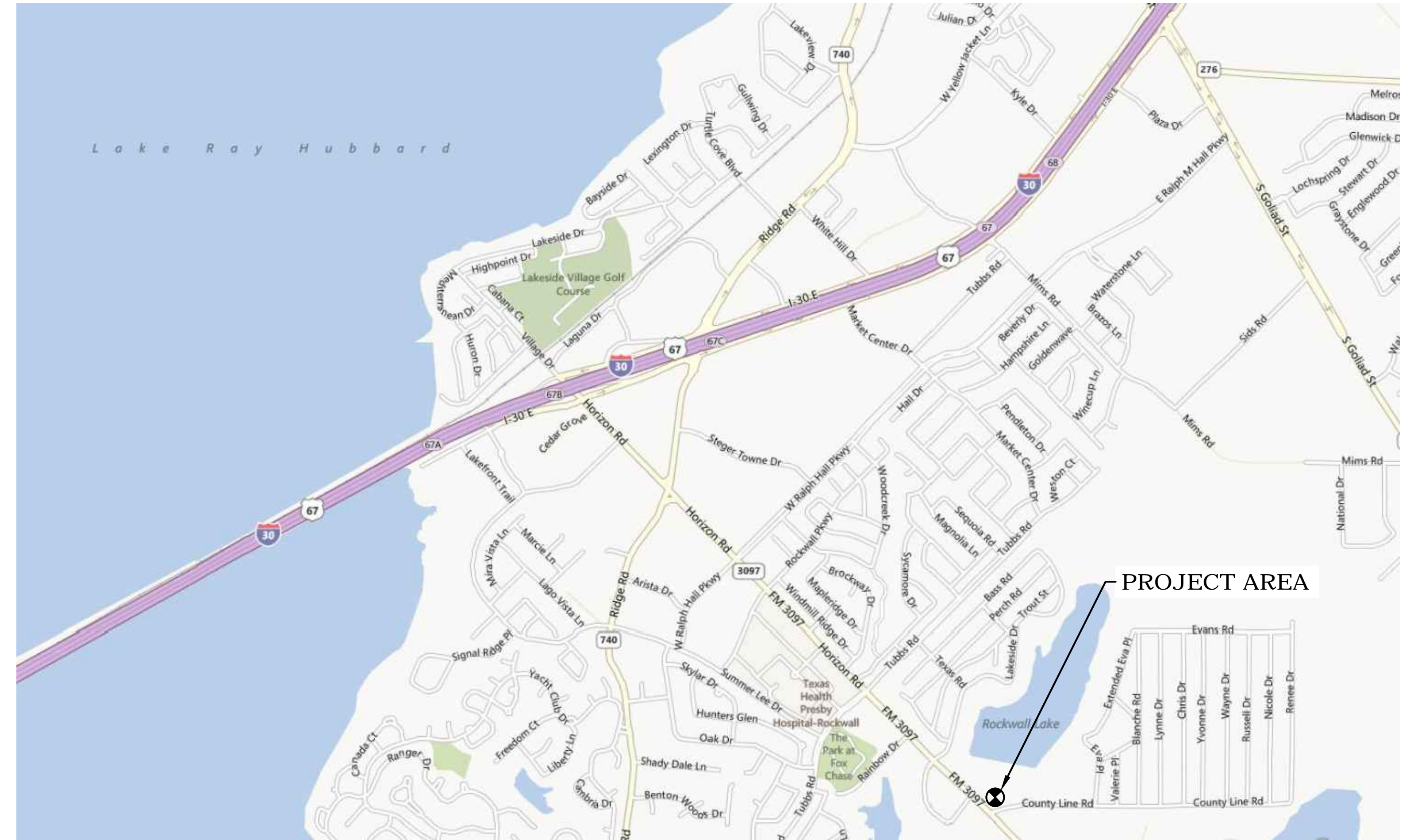
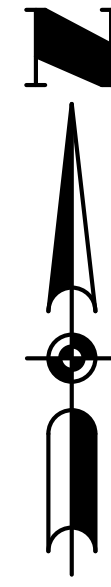
3. ALL DRAINAGE DITCHES DISTURBED DUE TO CONSTRUCTION SHALL BE REGRADED TO ORIGINAL CONDITION BY THE CONTRACTOR. DISTURBED SLOPES STEEPER THAN 6:1 SHALL BE SODDED OR COVERED BY EROSION CONTROL MATERIAL. SILT FENCES SHALL BE INSTALLED IN CREEKS OR LOW AREAS. THIS WORK SHALL NOT BE PAID FOR DIRECTLY, BUT SHALL BE CONSIDERED SUBSIDIARY TO THE VARIOUS BID ITEMS.

4. CONTRACTOR SHALL INSTALL SILT FENCING OR OTHER MEANS AS NECESSARY TO CONTROL EROSION AND MAINTAIN SUCH DURING THE OPERATIONS OF THIS CONTRACT. THIS WORK SHALL NOT BE PAID FOR DIRECTLY, BUT SHALL BE CONSIDERED SUBSIDIARY TO THE VARIOUS BID ITEMS.

5. BEFORE FINAL ACCEPTANCE OF THIS JOB, THERE SHALL BE A MINIMUM COVERAGE OF 75% TO 80% OF THE SITE BY A MINIMUM OF 1" IN HEIGHT OF GRASS.

UTILITY CONTACT PERSONS:

AQUA TEXAS, INC. – GARY DOUGLAS (FIELD SUPERVISOR) – 903-574-1989
 ATMOS ENERGY – 888-286-6700 OR 866-322-8667 FOR EMERGENCY
 US SPRINT – 1 (800) 521-0579 OR ENTERPRISE 9800
 AT&T FIBER OPTIC – 800-395-0440
 MCI FIBER OPTIC – 800-344-8377
 WORLD COMMUNICATIONS FIBER OPTIC – 800-248-0133
 TEXAS EXCAVATION SAFETY SYSTEM (TESS) – 800-344-8377
 LONE STAR NOTIFICATION CENTER – 800-669-8344
 CITY OF ROCKWALL SERVICE CENTER – 972-771-7730



VICINITY MAP
N.T.S.

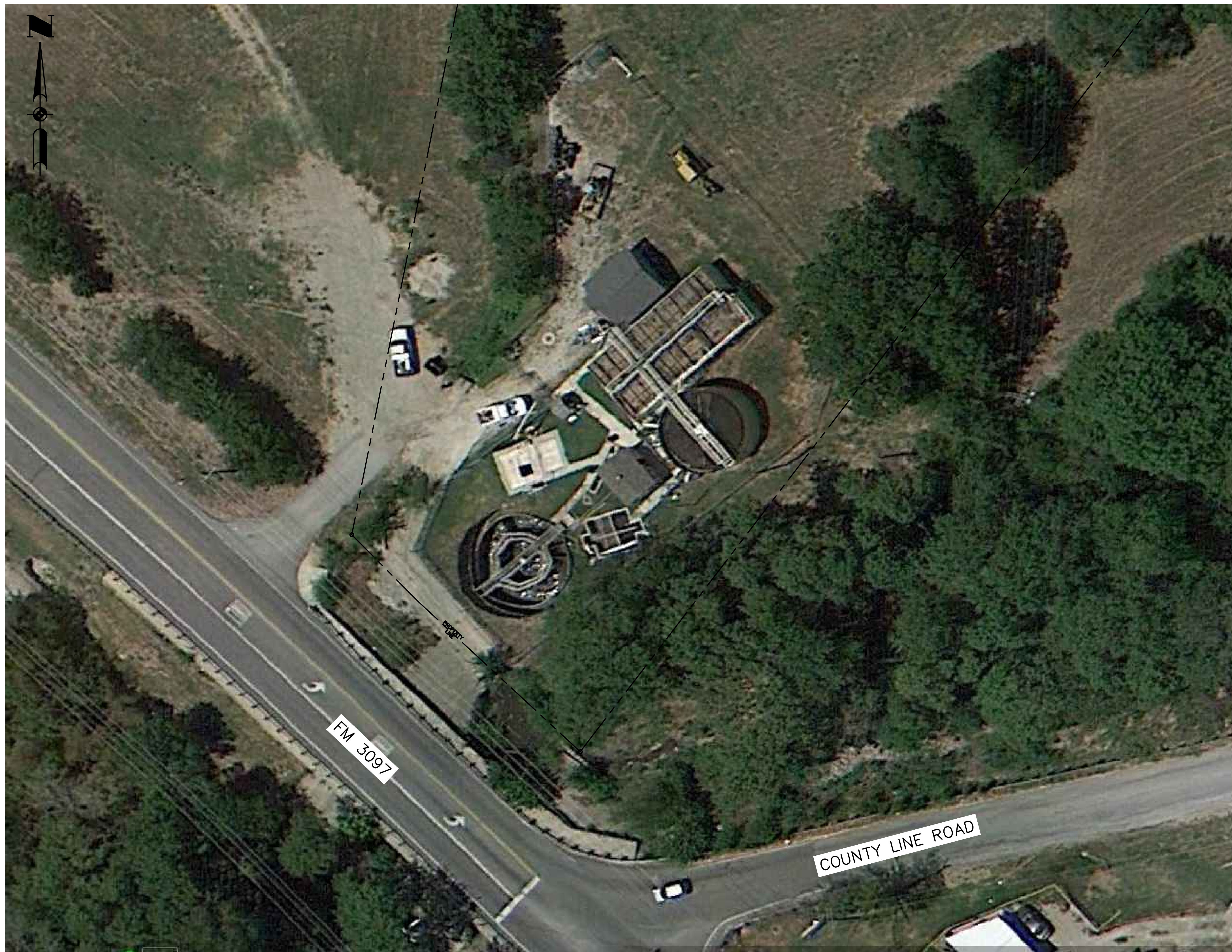
SHEET INDEX

- 1 VICINITY MAP, SHEET INDEX & GENERAL NOTES
- 2 OVERALL SITE PLAN
- 3 SITE PLAN
- 4 CROSS SECTION
- 5 EROSION CONTROL DETAILS

THIS RECORD DRAWING IS A COMPILATION OF A COPY OF THE SEALED ENGINEERING DRAWING FOR THIS PROJECT; MODIFIED BY ADDENDA, CHANGE ORDER OR INFORMATION FURNISHED BY THE CONTRACTOR OR INSPECTOR. THE INFORMATION SHOWN ON THE RECORD DRAWING THAT WAS PROVIDED BY THE CONTRACTOR OR OTHERS NOT ASSOCIATED WITH THE DESIGN ENGINEER CANNOT BE VERIFIED FOR ACCURACY OR COMPLETENESS. THE ORIGINAL SEALED DRAWINGS ARE ON FILE AT THE OFFICES OF VELVIN AND WEEKS CONSULTING ENGINEERS, INC.

<p>VELVIN & WEEKS CONSULTING ENGINEERS, INC.</p> <p>PHONE 903.675.3903 FAX 903.675.8345 930 EAST CORSICANA ATHENS, TEXAS 75751 VWCE@VELVIN-WEEKS.COM TEXAS REGISTERED ENGINEERING FIRM F-151</p>		DATE NOV 27, 13 DESIGN T.N.H. DRAWN K.J.L. CHECKED T.N.H.
<p>AQUA UTILITIES WASTEWATER TREATMENT PLANT CLOSURE FOR AQUA TEXAS, INC. ROCKWALL COUNTY, TEXAS</p>		SHEET 1 OF 5 JOB NO. 4279

RECORD DRAWINGS	KJL	7-11-14	VICINITY MAP, SHEET INDEX & GENERAL NOTES	4279
-----------------	-----	---------	---	------



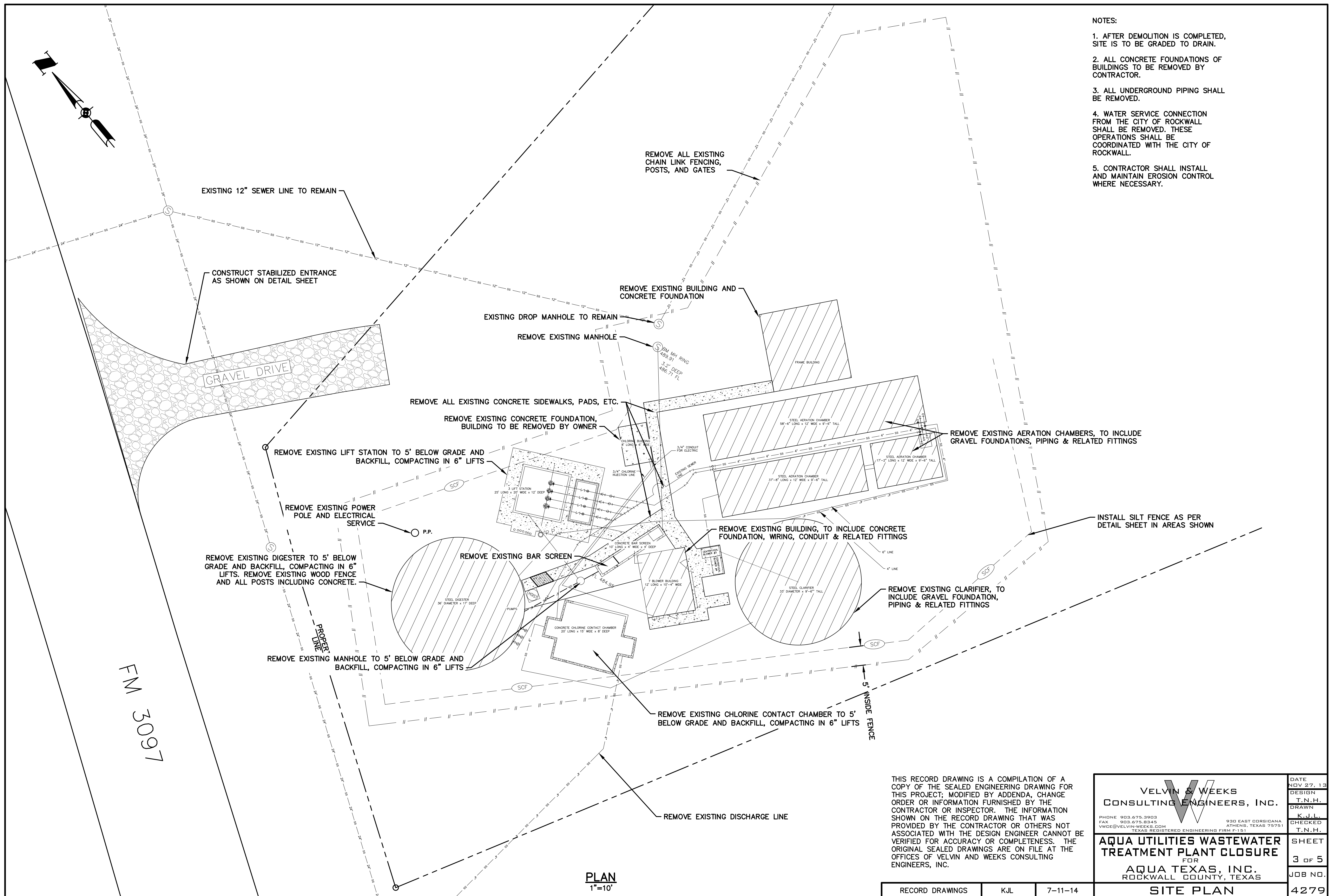
PLAN
1" = 20'

THIS RECORD DRAWING IS A COMPILATION OF A COPY OF THE SEALED ENGINEERING DRAWING FOR THIS PROJECT; MODIFIED BY ADDENDA, CHANGE ORDER OR INFORMATION FURNISHED BY THE CONTRACTOR OR INSPECTOR. THE INFORMATION SHOWN ON THE RECORD DRAWING THAT WAS PROVIDED BY THE CONTRACTOR OR OTHERS NOT ASSOCIATED WITH THE DESIGN ENGINEER CANNOT BE VERIFIED FOR ACCURACY OR COMPLETENESS. THE ORIGINAL SEALED DRAWINGS ARE ON FILE AT THE OFFICES OF VELVIN AND WEEKS CONSULTING ENGINEERS, INC.

VELVIN & WEEKS CONSULTING ENGINEERS, INC. <small>PHONE 903.675.3903 FAX 903.675.8345 VWCE@VELVIN-WEEKS.COM 930 EAST CORSICANA ATHENS, TEXAS 75751 TEXAS REGISTERED ENGINEERING FIRM F-151</small>		DATE	NOV 27, 13
		DESIGN	T.N.H.
		DRAWN	K.J.L.
		CHECKED	T.N.H.
AQUA UTILITIES WASTEWATER TREATMENT PLANT CLOSURE FOR AQUA TEXAS, INC. ROCKWALL COUNTY, TEXAS		SHEET	2 of 5
		JOB NO.	
RECORD DRAWINGS	KJL	7-11-14	OVERALL SITE PLAN 4279

NOTES:

1. AFTER DEMOLITION IS COMPLETED, SITE IS TO BE GRADED TO DRAIN.
2. ALL CONCRETE FOUNDATIONS OF BUILDINGS TO BE REMOVED BY CONTRACTOR.
3. ALL UNDERGROUND PIPING SHALL BE REMOVED.
4. WATER SERVICE CONNECTION FROM THE CITY OF ROCKWALL SHALL BE REMOVED. THESE OPERATIONS SHALL BE COORDINATED WITH THE CITY OF ROCKWALL.
5. CONTRACTOR SHALL INSTALL AND MAINTAIN EROSION CONTROL WHERE NECESSARY.

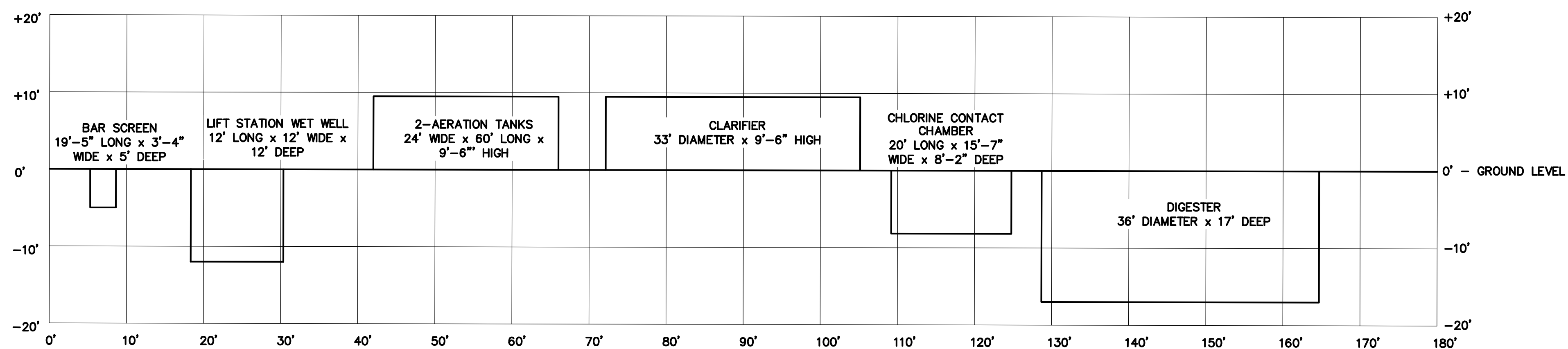


THIS RECORD DRAWING IS A COMPILATION OF A COPY OF THE SEALED ENGINEERING DRAWING FOR THIS PROJECT; MODIFIED BY ADDENDA, CHANGE ORDER OR INFORMATION FURNISHED BY THE CONTRACTOR OR INSPECTOR. THE INFORMATION SHOWN ON THE RECORD DRAWING THAT WAS PROVIDED BY THE CONTRACTOR OR OTHERS NOT ASSOCIATED WITH THE DESIGN ENGINEER CANNOT BE VERIFIED FOR ACCURACY OR COMPLETENESS. THE ORIGINAL SEALED DRAWINGS ARE ON FILE AT THE OFFICES OF VELVIN AND WEEKS CONSULTING ENGINEERS, INC.

PLAN
1"=10'

<p>VELVIN & WEEKS CONSULTING ENGINEERS, INC.</p> <p>PHONE 903.675.3903 FAX 903.675.0345 VWCE@VELVIN-WEEKS.COM TEXAS REGISTERED ENGINEERING FIRM F-151</p> <p>930 EAST CORSICANA ATHENS, TEXAS 75751</p>		DATE	NOV 27, 19
		DESIGN	T.N.H.
		DRAWN	K.J.L.
		CHECKED	T.N.H.
<p>AQUA UTILITIES WASTEWATER TREATMENT PLANT CLOSURE FOR AQUA TEXAS, INC. ROCKWALL COUNTY, TEXAS</p>		SHEET	3 of 5
		JOB NO.	4279
RECORD DRAWINGS	KJL	7-11-14	SITE PLAN

B:\wfiles\Record Drawings\Aqua Texas\Aqua Texas - Buffalo Creek WWTTP Closure - 4279\Record Drawings\Aqua Texas - Buffalo Creek WWTTP Closure - 4279 - Record Drawings.dwg 7/11/2014 11:31:33 AM DWG To PDF.pc3



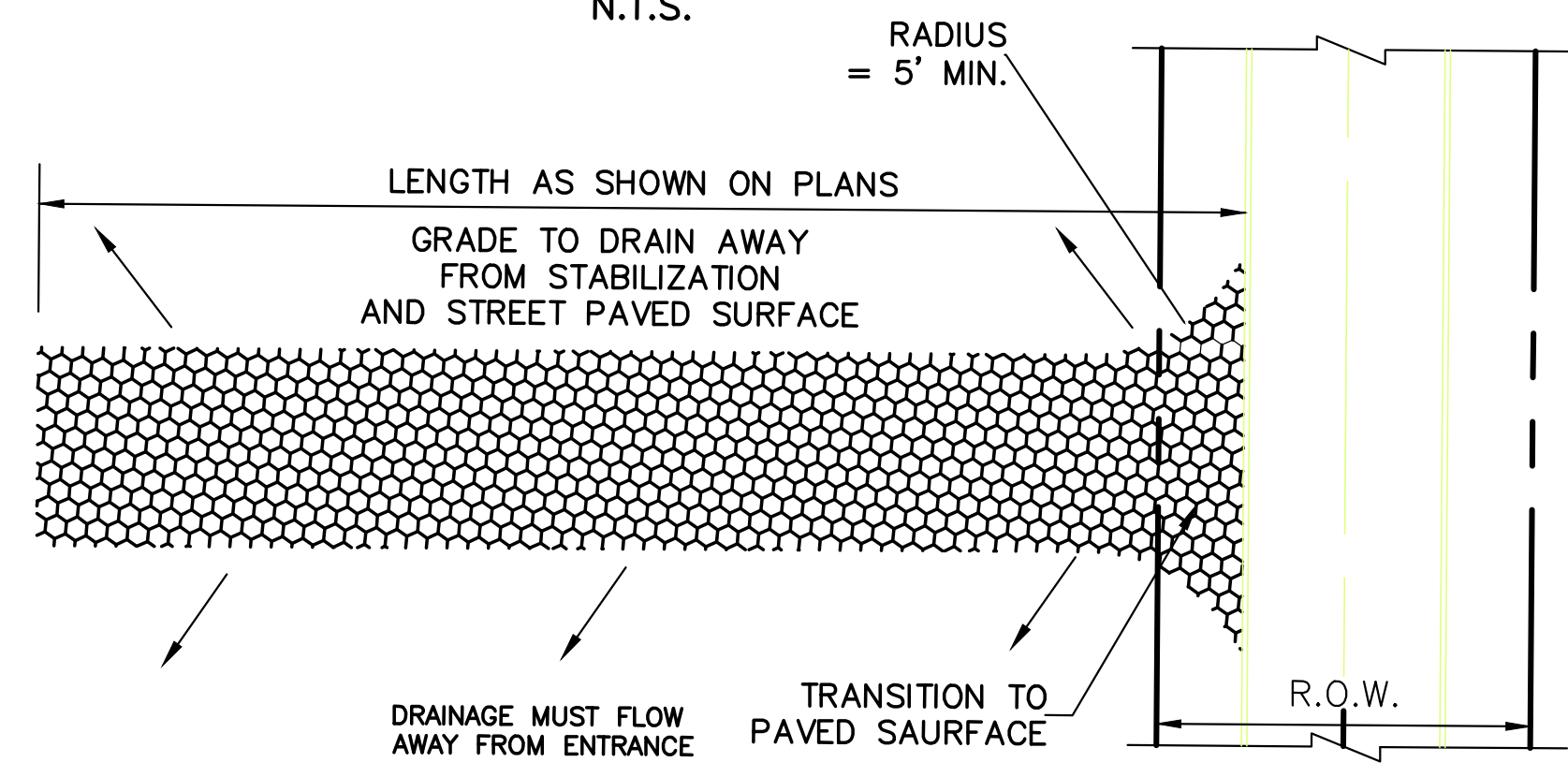
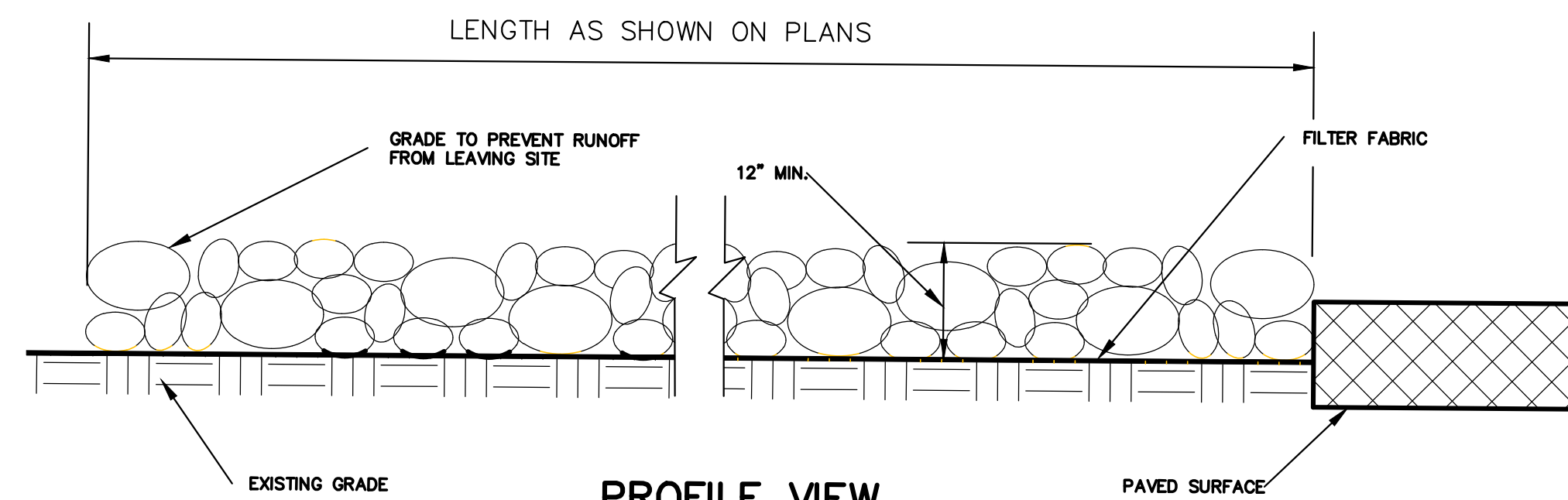
SCHMATIC - PLANT PROFILE
1"=10'

THIS RECORD DRAWING IS A COMPILATION OF A COPY OF THE SEALED ENGINEERING DRAWING FOR THIS PROJECT; MODIFIED BY ADDENDA, CHANGE ORDER OR INFORMATION FURNISHED BY THE CONTRACTOR OR INSPECTOR. THE INFORMATION SHOWN ON THE RECORD DRAWING THAT WAS PROVIDED BY THE CONTRACTOR OR OTHERS NOT ASSOCIATED WITH THE DESIGN ENGINEER CANNOT BE VERIFIED FOR ACCURACY OR COMPLETENESS. THE ORIGINAL SEALED DRAWINGS ARE ON FILE AT THE OFFICES OF VELVIN AND WEEKS CONSULTING ENGINEERS, INC.

VELVIN & WEEKS CONSULTING ENGINEERS, INC. <small>PHONE 903.675.3903 FAX 903.675.8345 VVCE@VELVIN-WEEKS.COM TEXAS REGISTERED ENGINEERING FIRM F-151</small>		DATE	NOV 27, 13
		DESIGN	T.N.H.
AQUA UTILITIES WASTEWATER TREATMENT PLANT CLOSURE <small>FOR</small> AQUA TEXAS, INC. <small>ROCKWALL COUNTY, TEXAS</small>		DRAWN	K.J.L.
		CHECKED	T.N.H.
CROSS SECTION		SHEET	4 OF 5
		JOB NO.	4279

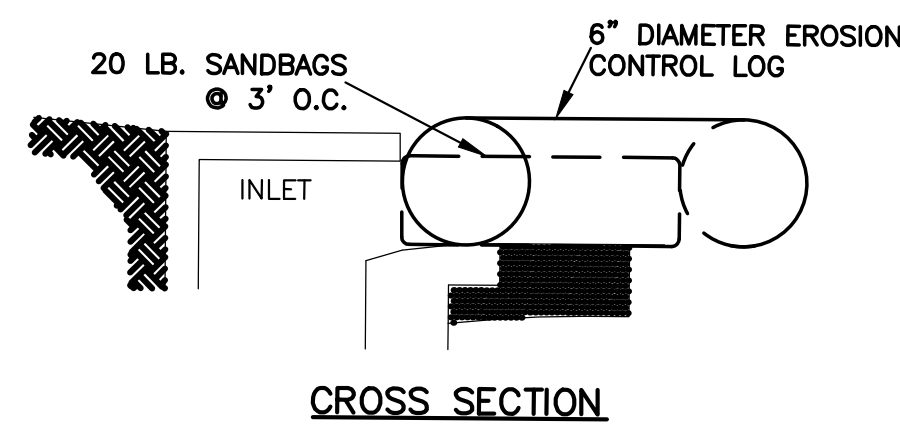
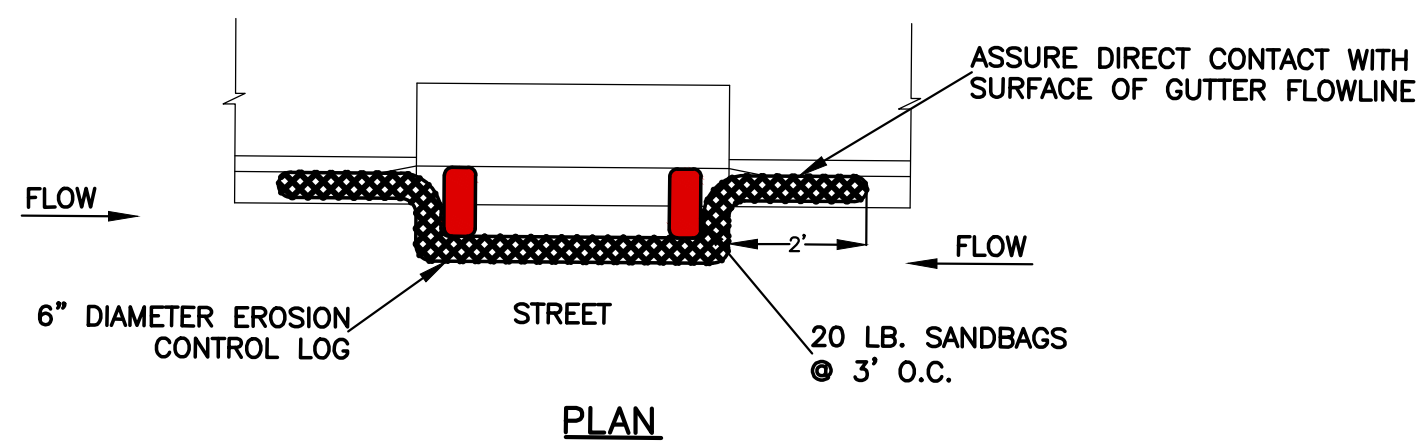
RECORD DRAWINGS	KJL	7-11-14
-----------------	-----	---------

B:\wfiles\Record Drawings\Aqua Texas\Aqua Texas - WWT Closure - Buffalo Creek - Buffalo Creek WWT Closure - 4279\Record Drawings\Aqua Texas - Buffalo Creek WWT Closure - 4279\Record Drawings.dwg, 7/11/2014 11:31:34 AM, DWG To PDF.pc3



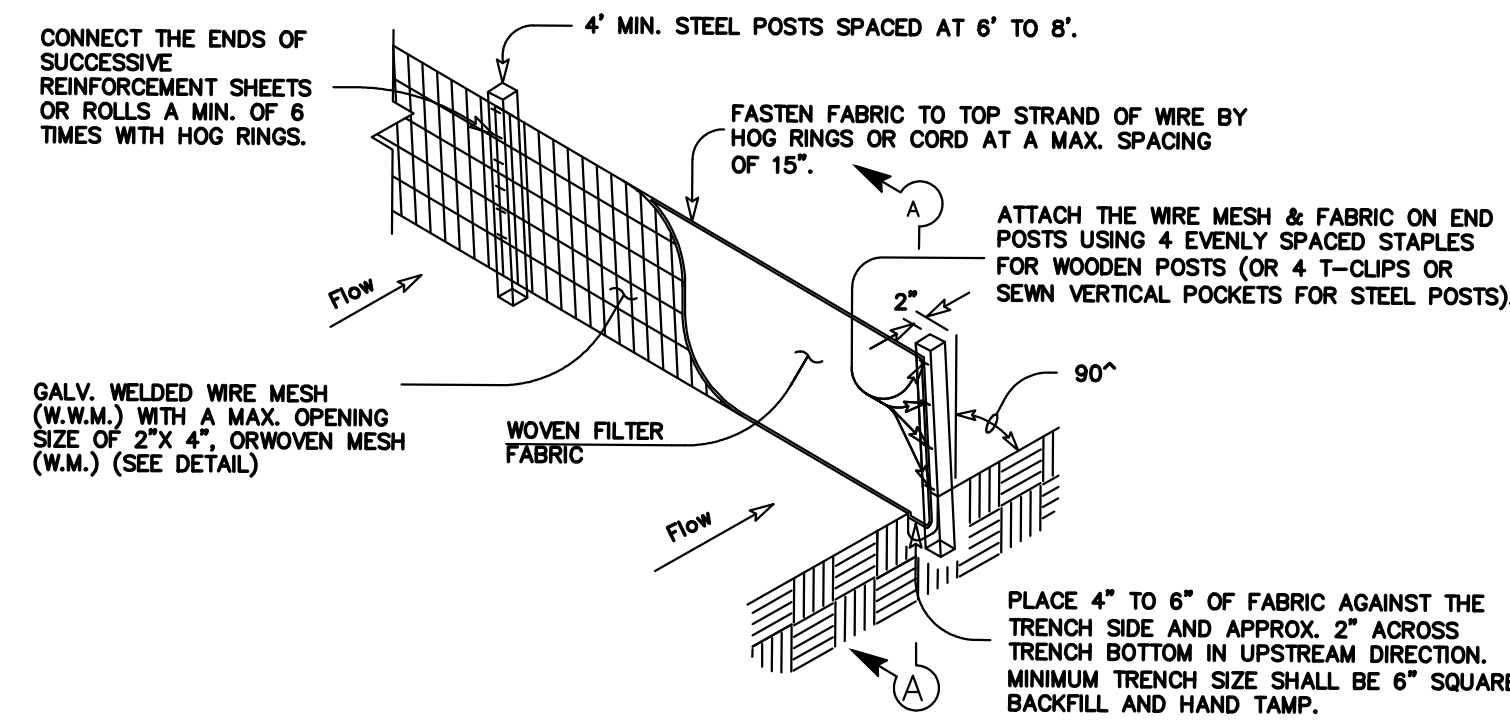
STABILIZED CONSTRUCTION ENTRANCE GENERAL NOTES:

1. STONE SHALL BE 4 TO 6 INCH DIAMETER CRUSHED ROCK.
2. LENGTH SHALL BE 50 FEET, UNLESS SHOWN OTHERWISE ON PLANS.
3. THE THICKNESS SHALL NOT BE LESS THAN 12 INCHES.
4. THE WIDTH SHALL BE NO LESS THAN THE FULL WIDTH OF ALL POINTS OF INGRESS OR EGRESS.
5. WHEN NECESSARY, VEHICLES SHALL BE CLEANED TO REMOVE SEDIMENT PRIOR TO ENTRANCE ONTO A PUBLIC ROADWAY. WHEN WASHING IS REQUIRED, IT SHALL BE DONE ON AN AREA STABILIZED WITH CRUSHED STONE WITH DRAINAGE FLOWING AWAY FROM BOTH THE STREET AND THE STABILIZED ENTRANCE. ALL SEDIMENT SHALL BE PREVENTED FROM ENTERING ANY STORM DRAIN, DITCH OR WATERCOURSE USING APPROVED METHODS.
6. THE ENTRANCE SHALL BE MAINTAINED IN A CONDITION WHICH WILL PREVENT TRACKING OR FLOWING OF SEDIMENT ONTO PAVED SURFACES. THIS MAY REQUIRE PERIODIC TOP DRESSING WITH ADDITIONAL STONE AS CONDITIONS DEMAND. ALL SEDIMENT SPILLED, DROPPED, WASHED, OR TRACKED ONTO PAVED SURFACES MUST BE REMOVED IMMEDIATELY.
7. THE ENTRANCE MUST BE PROPERLY GRADED OR INCORPORATE A DRAINAGE SWALE TO PREVENT RUNOFF FROM LEAVING THE CONSTRUCTION SITE.

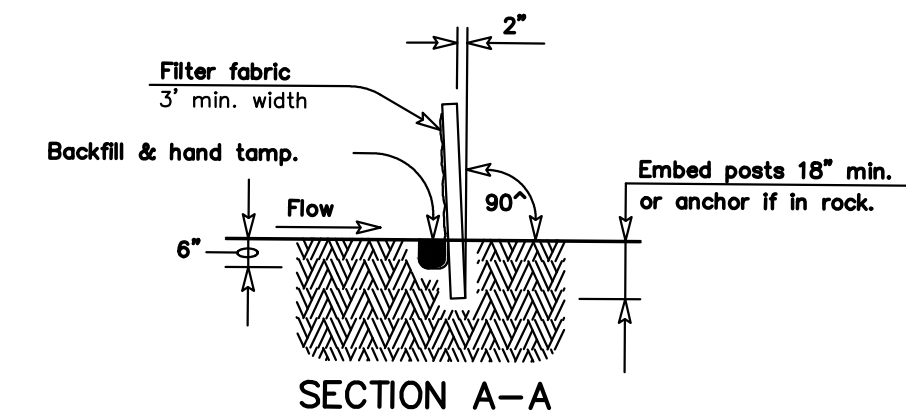


NOTES:

1. EROSION CONTROL LOG CONTAINMENT MESH SHALL BE 100% BIODEGRADABLE, PHOTODEGRADABLE OR RECYCLABLE; AND FILL MATERIAL SHALL CONSIST OF MULCH, ASPEN EXCELSIOR FIBERS, CHIPPED SITE VEGETATION, COCONUT FIBERS, 100% RECYCLABLE FIBERS, OR ANY OTHER ACCEPTABLE MATERIAL EXCLUDING STRAW AND HAY.
2. DAILY INSPECTION SHALL BE MADE BY THE CONTRACTOR AND SILT ACCUMULATION MUST BE REMOVED WHEN DEPTH REACHES 2".
3. CONTRACTOR SHALL MONITOR THE PERFORMANCE OF INLET PROTECTION DURING EACH RAINFALL EVENT AND IMMEDIATELY REMOVE THE INLET PROTECTIONS IF THE STORM WATER BEGINS TO OVERTOP THE CURB.
4. INLET PROTECTIONS SHALL BE REMOVED AS SOON AS THE SOURCE OF SEDIMENT IS STABILIZED.



TEMPORARY SEDIMENT CONTROL FENCE



PLAN SHEET LEGEND

Sediment Control Fence SCF

GENERAL NOTES

1. HAY BALES SHALL BE A MINIMUM OF 30" IN LENGTH AND WEIGH A MINIMUM OF 50 LBS.
2. HAY BALES SHALL BE BOUND BY EITHER WIRE, NYLON OR POLYPROPYLENE STRING. THE BALES SHALL BE COMPOSED ENTIRELY OF VEGETATIVE MATTER.
3. HAY BALES SHALL BE EMBEDDED IN THE SOIL A MINIMUM OF 4"
4. HAY BALES SHALL BE PLACED IN A ROW WITH ENDS TIGHTLY ADJUTING THE ADJACENT BALES. THE BALES SHALL BE PLACED WITH BINDINGS PARALLEL TO THE GROUND.
5. HAY BALES SHALL BE SECURELY ANCHORED IN PLACE WITH #3 DIA. REBAR OR 2" X 2" WOOD STAKES, DRIVEN THROUGH THE BALES. THE FIRST STAKE SHALL BE ANGLED TOWARDS THE PREVIOUSLY LAID BALE TO FORCE THE BALES TOGETHER.

NOTES:

1. A STORM WATER POLLUTION PREVENTION PLAN (SW3P) INCLUDING A NOTICE OF INTENT (NOI) TO DISCHARGE WILL BE PREPARED BY THE GENERAL CONTRACTOR FOR THIS PROJECT IN ACCORDANCE WITH ALL APPLICABLE REQUIREMENTS OF THE TEXAS POLLUTANT DISCHARGE ELIMINATION SYSTEM (TPDES) GENERAL PERMIT FOR STORM WATER DISCHARGES ASSOCIATED WITH CONSTRUCTION ACTIVITIES (TXR150000).
2. SUBMITTAL OF THE NOI BY THE CONTRACTOR SHALL BE COORDINATED WITH THE OWNER AND SHALL OCCUR NO LESS THAN 48 HOURS PRIOR TO THE COMMENCEMENT OF ANY CONSTRUCTION ACTIVITIES.
3. THE CONTRACTOR SHALL INSTALL EROSION CONTROL MEASURES AS INDICATED ON THE PLANS, AND AS FIELD CONDITIONS WARRANT, PRIOR TO THE COMMENCEMENT OF ANY CONSTRUCTION ACTIVITIES. REPAIRS OR MODIFICATIONS TO THE MEASURES SHALL BE MADE BY THE CONTRACTOR IF THE CONTROL MEASURES PROVE TO BE INEFFECTIVE OR IF ADDITIONAL CONTROL MEASURES ARE DEEMED NECESSARY.
4. THE CONTRACTOR SHALL TAKE APPROPRIATE ACTIONS TO PREVENT TRACKING OF MUD AND SOILS ONTO EXISTING AND/OR NEW PAVEMENT SURFACES BY CONSTRUCTION VEHICLES AND MACHINERY. ANY TRACKING THAT OCCURS SHALL BE REMEDIATED IMMEDIATELY BY THE CONTRACTOR.
5. THE CONTRACTOR SHALL INSTALL INLET PROTECTION MEASURES FOR ALL INCOMPLETE AND COMPLETED CURB INLETS AND SHALL TAKE ANY NECESSARY MEASURES TO KEEP SOILS AND SEDIMENTS FROM ENTERING THE STORM SEWER SYSTEM.
6. AT A MINIMUM, PERIMETER CONTROLS SUCH AS SILT FENCING OR HAY BALES SHALL BE INSTALLED AT ALL DOWN-SLOPE BOUNDARIES AND AS WARRANTED WHERE PAVEMENT REMOVAL, UTILITY CONSTRUCTION, GRADING, OR OTHER CONSTRUCTION ACTIVITIES ARE TO BE PERFORMED. THE CONTRACTOR SHALL AT ALL TIMES TAKE SUCH MEASURES AS ARE NECESSARY TO MINIMIZE OFFSITE TRACKING OR TRANSPORT OF SEDIMENT AND DEBRIS FROM THE JOBSITE.
7. ANY DAMAGE TO ADJACENT PROPERTIES AND/OR DOWNSTREAM RECEIVING WATERS CAUSED BY IMPROPERLY INSTALLED OR POORLY MAINTAINED EROSION CONTROL MEASURES WILL BE THE RESPONSIBILITY OF THE CONTRACTOR.
8. THE CONTRACTOR SHALL BE RESPONSIBLE FOR THE REMOVAL AND DISPOSAL OF ANY SILTATION CAUSED BY HIS OPERATIONS AND/OR FAILURE OF THE EROSION CONTROL MEASURES.
9. CONTRACTOR SHALL REMOVE AND PROPERLY DISPOSE OF ACCUMULATED SILT AND SEDIMENT FROM EROSION CONTROL MEASURES WHEN IT REACHES A DEPTH OF SIX (6) INCHES OR IMPAIRS THE EFFECTIVENESS OF THE MEASURES.
10. A CONTRACTOR'S REPRESENTATIVE SHALL INSPECT THE PROJECT JOBSITE EVERY SEVEN DAYS (AT A MINIMUM) AND SUBSEQUENT TO EVERY RAINFALL WITH AN ACCUMULATION OF 1/8 INCHES OR GREATER TO DETERMINE THE INTEGRITY AND EFFECTIVENESS OF THE EROSION CONTROL MEASURES. A WRITTEN REPORT AFTER EACH INSPECTION WILL BE FILED AS A COMPONENT OF THE SW3P. COMPLETION OF INSPECTION REPORT DOES NOT RELIEVE THE CONTRACTOR FROM THE RESPONSIBILITY FOR INSPECTION AND MAINTENANCE OF THE EROSION CONTROL MEASURES OR HIS/HER DUTY TO COMPLY WITH THE INTENT AND CONDITIONS OF THE TPDES GENERAL PERMIT.
11. ALL STOCKPILED SOILS SHALL BE SURROUNDED WITH A HAY BALE DIKE, SILT FENCE, SEDIMENT CONTROL SWALE, OR EQUIVALENT MEASURE TO PROPERLY CONTROL SEDIMENT RUNOFF, AS APPROVED BY THE OWNER AND THE ENGINEER.
12. THE CONTRACTOR SHALL STABILIZE ANY AREA WHERE CONSTRUCTION ACTIVITY IS TO BE TEMPORARILY OR PERMANENTLY CEASED FOR 14 OR MORE DAYS CONSECUTIVELY.

THIS RECORD DRAWING IS A COMPILATION OF A COPY OF THE SEALED ENGINEERING DRAWING FOR THIS PROJECT; MODIFIED BY ADDENDA, CHANGE ORDER OR INFORMATION FURNISHED BY THE CONTRACTOR OR INSPECTOR. THE INFORMATION SHOWN ON THE RECORD DRAWING THAT WAS PROVIDED BY THE CONTRACTOR OR OTHERS NOT ASSOCIATED WITH THE DESIGN ENGINEER CANNOT BE VERIFIED FOR ACCURACY OR COMPLETENESS. THE ORIGINAL SEALED DRAWINGS ARE ON FILE AT THE OFFICES OF VELVIN AND WEEKS CONSULTING ENGINEERS, INC.

VELVIN & WEEKS CONSULTING ENGINEERS, INC.		DATE NOV 27, 13
PHONE 903.675.3903 FAX 903.675.8345 VWCE@VELVIN-WEEKS.COM TEXAS REGISTERED ENGINEERING FIRM F-151		DESIGN T.N.H.
930 EAST CORSICANA ATHENS, TEXAS 75751		DRAWN K.J.L.
AQUA UTILITIES WASTEWATER TREATMENT PLANT CLOSURE FOR AQUA TEXAS, INC. ROCKWALL COUNTY, TEXAS		CHECKED T.N.H.
EROSION CONTROL DETAILS		SHEET 5 of 5
RECORD DRAWINGS	KJL	JOB NO. 4279