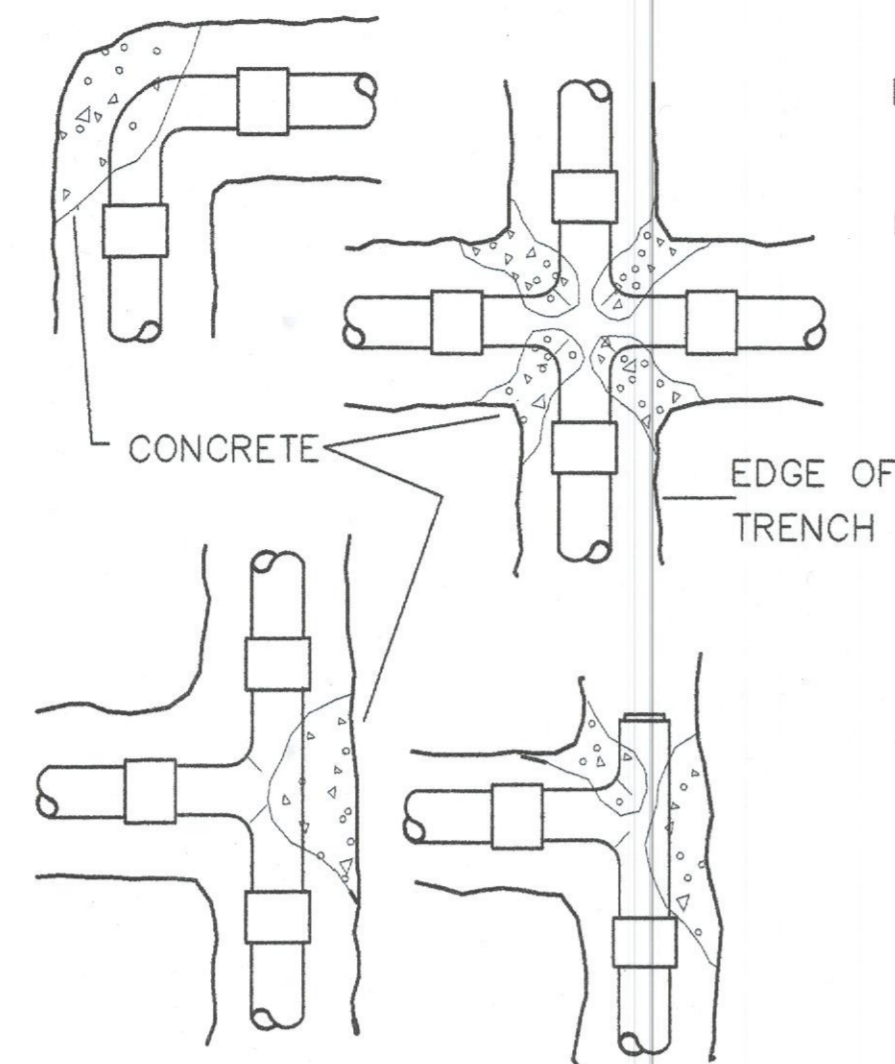


TRENCH DETAIL

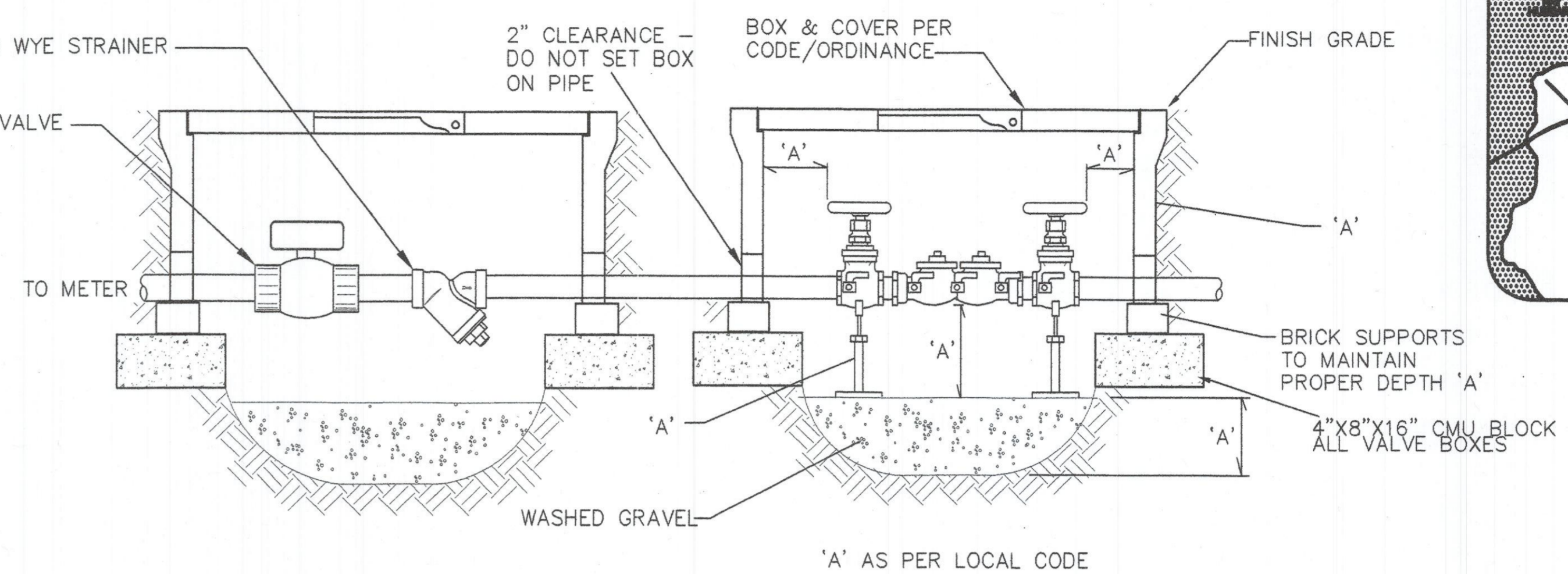
SCALE: NOT TO SCALE

NOTE: - THRUST BLOCKS ON MAIN LINE - ALL SIZES;
AND LATERALS 2" & LARGER
- MINIMUM BLOCK SIZE 8"x8"x8"



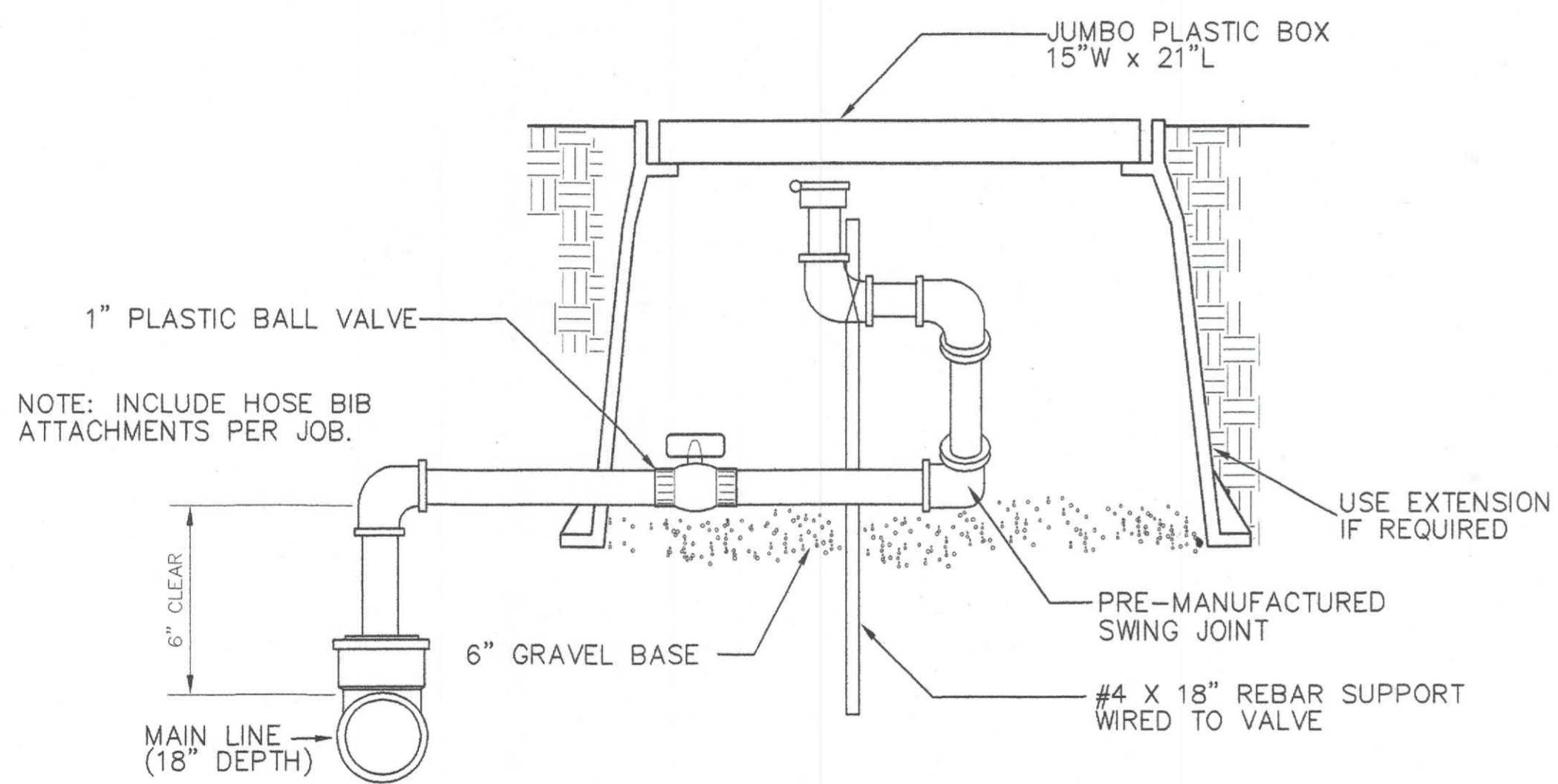
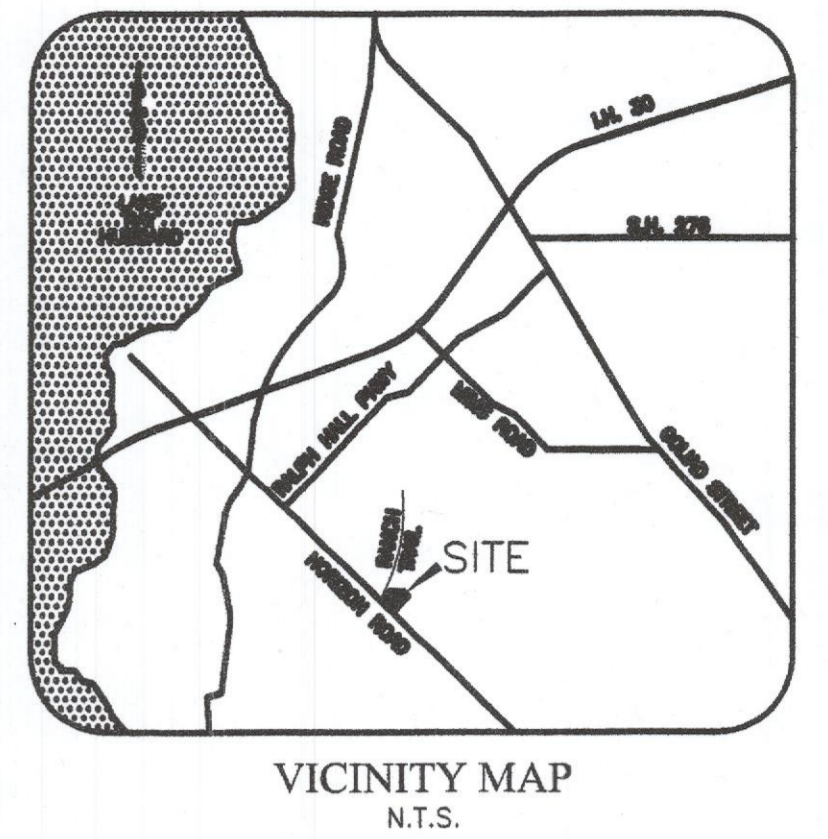
THRUST BLOCKS - PLAN VIEW

SCALE: NOT TO SCALE



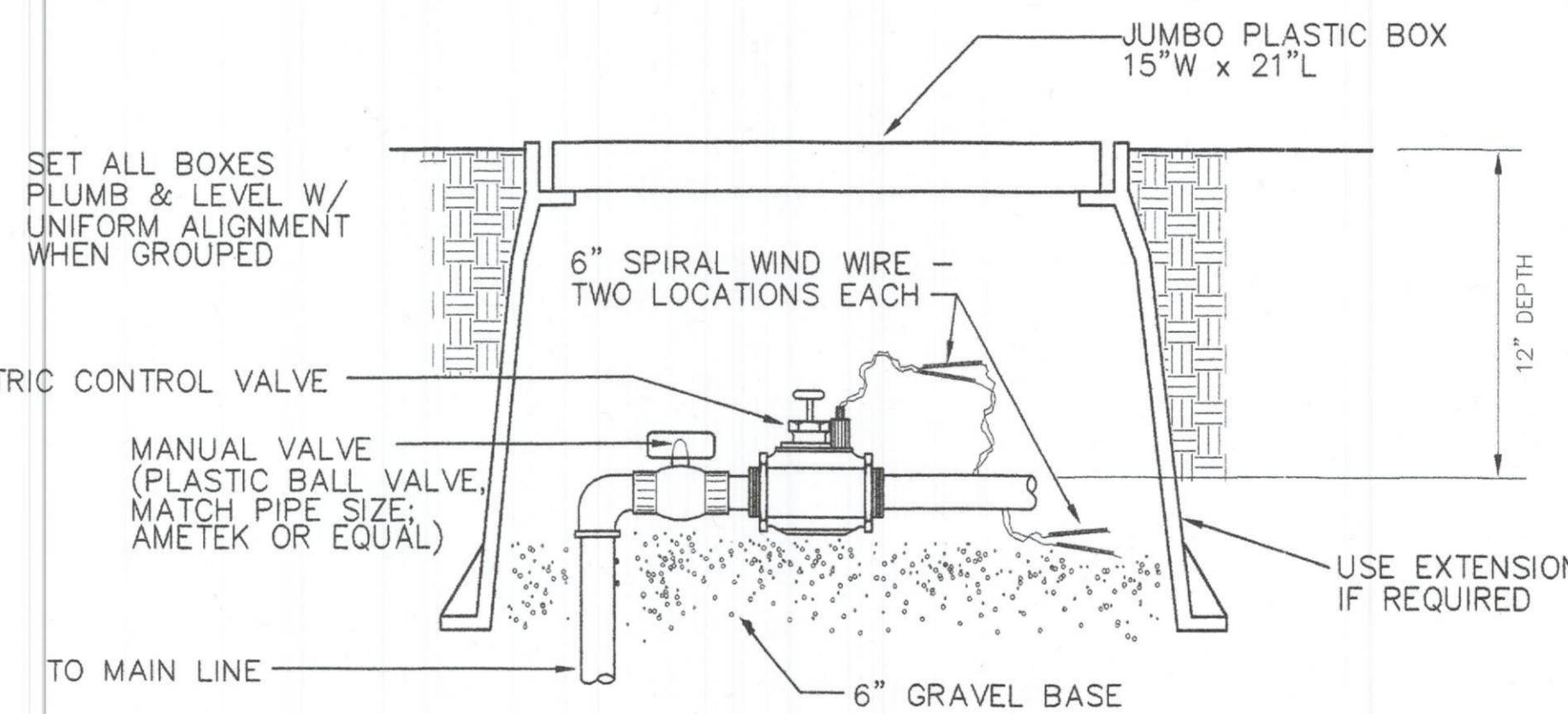
TYPICAL INSTALLATION
DOUBLE CHECK VALVE/WYE STRAINER ASSEMBLY

SCALE: NOT TO SCALE



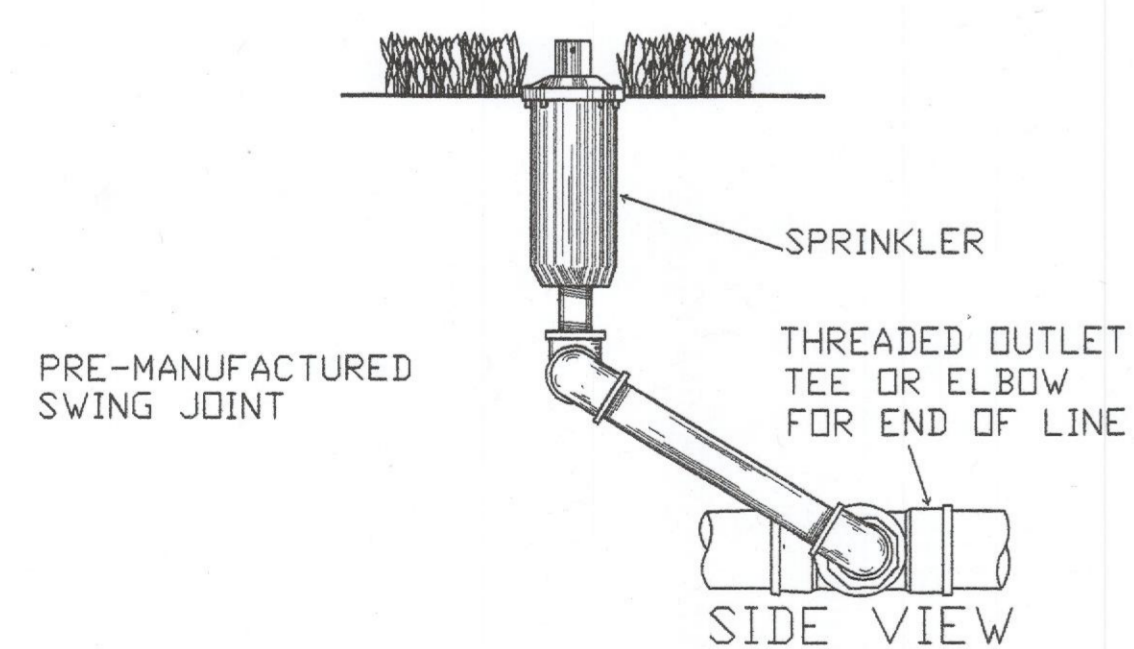
QUICK COUPLER VALVE

SCALE: NOT TO SCALE



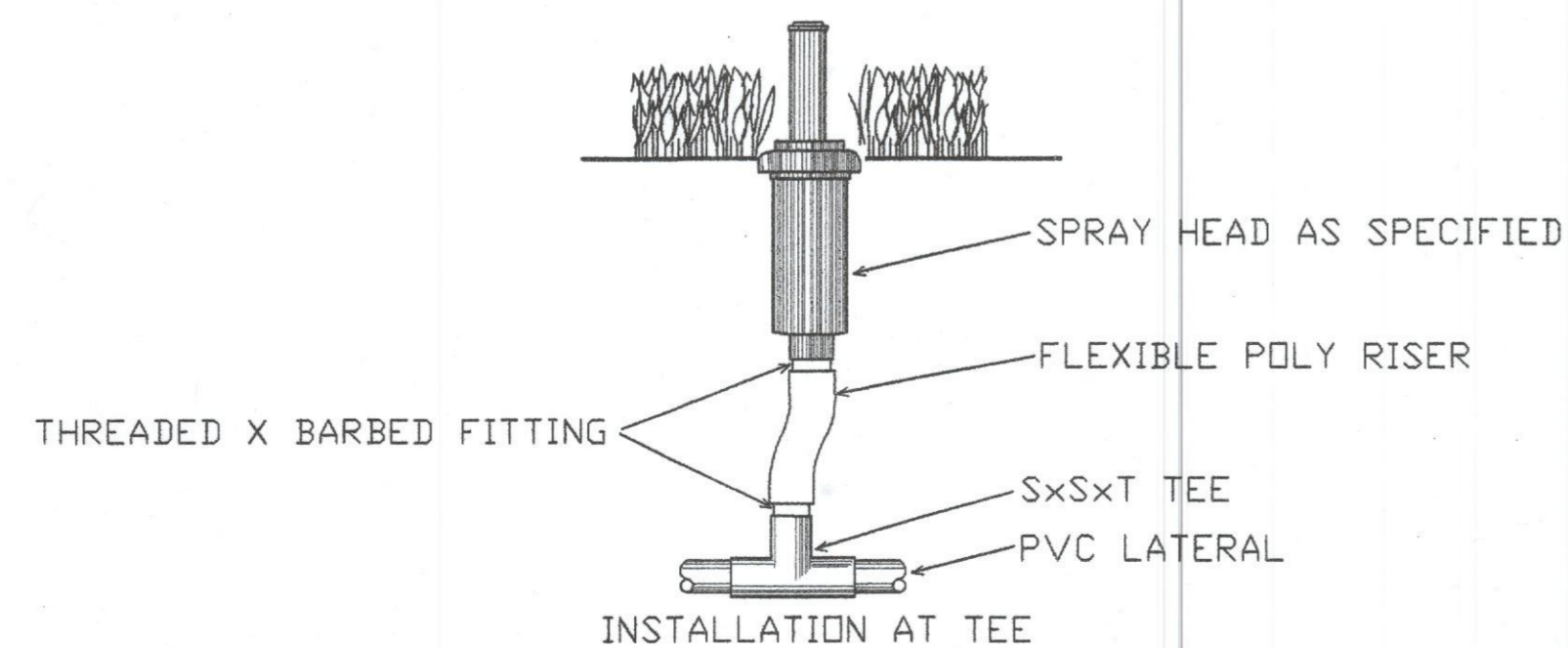
ELECTRIC CONTROL VALVE

SCALE: NOT TO SCALE



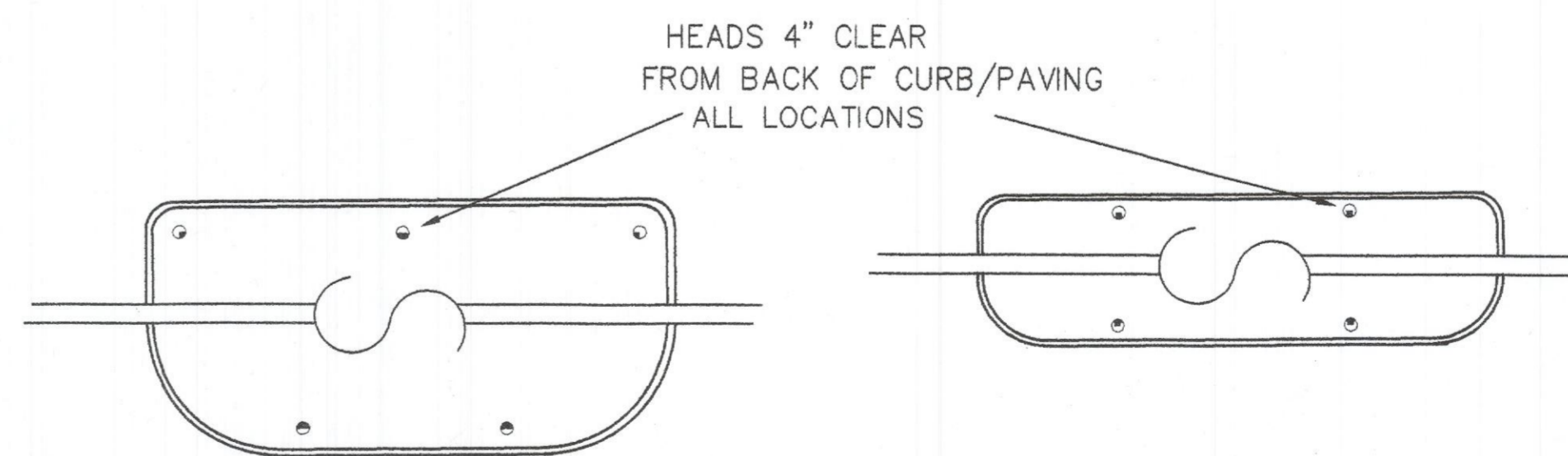
TYPICAL INSTALLATION OF
ROTARY SPRINKLER ON
SWING-JOINT RISER

SCALE: NOT TO SCALE



TYPICAL INSTALLATION OF
SPRAY HEAD

SCALE: NOT TO SCALE



HEAD LAYOUT
Plan View

SCALE: NOT TO SCALE

DFL Group, LLC
PARKS + OPEN SPACE PLANNING • LANDSCAPE ARCHITECTURE
82308 MD CITIES BLVD, NORTH RICHLAND HILLS, TX 76180 817-479-0790



THIS ELECTRONIC DRAWING FILE IS RELEASED UNDER THE AUTHORITY OF JOHN R. FAIN, LICENSED IRRIGATOR & LANDSCAPE ARCHITECT, LICENSED IRRIGATOR NUMBER 5135, LANDSCAPE ARCHITECT REGISTRATION NUMBER 8050 ON 09/28/09 WHO MAINTAINS THE ORIGINAL FILE. THIS ELECTRONIC DRAWING FILE MAY BE USED AS A BACKGROUND DRAWING. PURSUANT TO RULE 500.07 OF THE RULES AND REGULATIONS OF THE TEXAS BOARD OF ARCHITECTURAL EXAMINERS AND THE RULES AND REGULATIONS OF THE TEXAS DEPARTMENT OF LICENSING AND REGULATION, THE USER OF THIS ELECTRONIC DRAWING FILE AGREES TO ASSUME ALL RESPONSIBILITY FOR ANY MODIFICATION TO OR USE OF THIS DRAWING FILE THAT IS INCONSISTENT WITH THE REQUIREMENTS OF THE RULES AND REGULATIONS OF THE TEXAS BOARD OF ARCHITECTURAL EXAMINERS AND THE TEXAS DEPARTMENT OF LICENSING AND REGULATION. NO PERSON MAY MAKE MODIFICATIONS TO THIS ELECTRONIC DRAWING FILE WITHOUT THE IRRIGATOR/LANDSCAPE ARCHITECT'S EXPRESS WRITTEN PERMISSION.

LANE'S SOUTHWEST SURVEYING INC.

2717 MOTLEY DRIVE PHONE: (972)681-4442
MESQUITE, TEXAS 75150-3812 FAX: (972)681-4829
CONTACT: JIM LANE, RPLS

ARCHITECT / DEVELOPER

ARCHITECTURE+
16415 ADDISON RD STE 120 PHONE: 972-248-7660
DALLAS, TEXAS 75248 FAX: 214-550-2725
CONTACT: PHILIP MORSE

Walls & Associates

Consulting Civil Engineers • Designers • Planners
F-7063
530 S. Carrier Pkwy, Ste. 200 Contact: David W. Walls, P.E.
Grand Prairie, Texas 75051 Phone: 214-724-0953
Fax: (972) 237-8087 Email: davidwalls@bellsouth.net

IRRIGATION DETAILS

RANCH TRAIL CORNERS
LOT 5R - RAINBOW ACRES ADDITION
N.E.C. HORIZON ROAD (F.M. 3097) AND RANCH TRAIL DR.
CITY OF ROCKWALL, TEXAS

DESIGN	DRAWN	CHECKED	SCALE	DATE	FILE	SHEET
Walls	Loveschio	Barragan	1" = 40'	05/28/09	9005	I-2