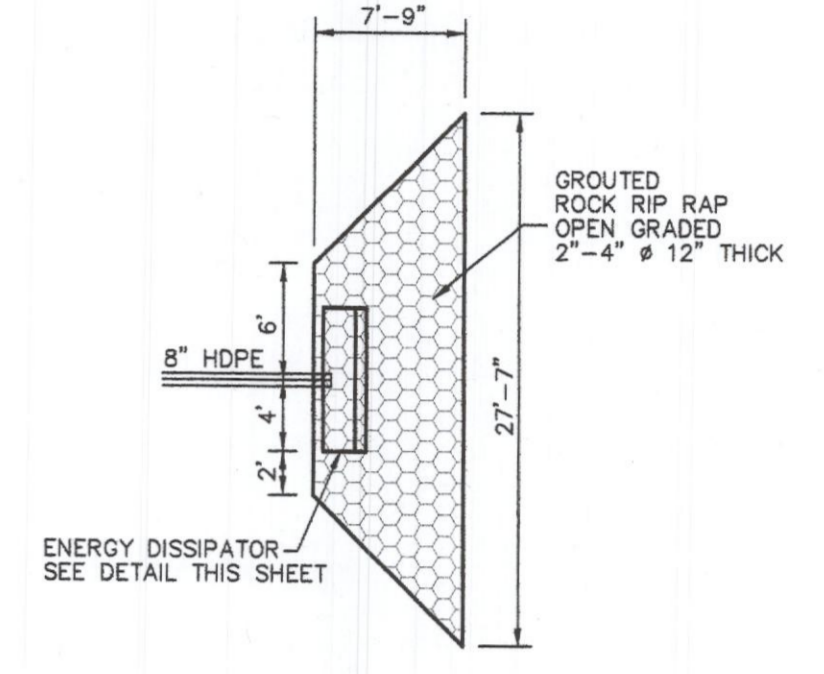
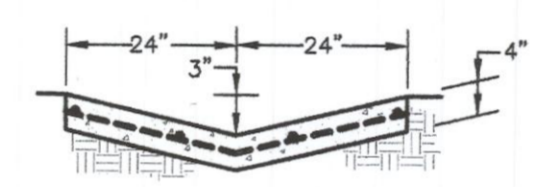


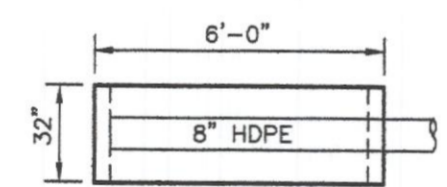
ENERGY DISSIPATOR
N.T.S.



**RIP RAP PAD w/
ENERGY DISSIPATOR**
N.T.S.



PILOT CHANNEL DETAIL
N.T.S.



5:1 SLOPED HEADWALL
N.T.S.

- LEGEND**
- EXISTING SANITARY SEWER MANHOLE
 - PROPOSED SANITARY SEWER MANHOLE
 - EXISTING POWER POLE w/ GUY ANCHOR
 - EXISTING FIRE HYDRANT
 - PROPOSED FIRE HYDRANT
 - PROPOSED WATER METER
 - PROPOSED MONUMENT SIGN
 - PROPOSED CURB INLET
 - F.D.C. PROPOSED FIRE DEPT. CONNECTION
 - PROPOSED TRANSFORMER
 - PROPOSED WATER VALVE
 - PROPOSED SANITARY SEWER
 - PROPOSED WATER
 - EXISTING STORM SEWER
 - PROPOSED STORM SEWER
 - PROPOSED ROCK RIP RAP (OPEN GRADED 2'-4" @ 12" THICK)
 - EXISTING FENCE

BENCHMARK:
60D NAIL IN POWER POLE ALONG HORIZON ROAD R.O.W. LINE ±208' SOUTHEAST OF RANCH TRAIL RD. ELEVATION: 542.51

BENCHMARK:
RIM OF SEWER MANHOLE ±8' OFF HORIZON ROAD R.O.W. LINE ±307' SOUTHEAST OF RANCH TRAIL RD. ELEVATION: 538.00

1	09-16-09	INITIAL SUBMITTAL TO THE CITY OF ROCKWALL
2	10-15-09	REVISED SUBMITTAL TO THE CITY OF ROCKWALL

Walls & Associates
Consulting Civil Engineers · Designers · Planners
F-7663

530 S. Carrier Pkwy, Ste. 200
Grand Prairie, Texas 75051
Fax: (972) 237-9097

Contact: David W. Walls, P.E.
Phone: 214-724-0983
Email: davidwalls@sbglobal.net

DRAINAGE PLAN						
RANCH TRAIL CORNERS						
LOT 20, BLOCK A - RAINBO ACRES ADDITION						
N.E.C. HORIZON ROAD (F.M. 3097) AND RANCH TRAIL DR.						
CITY OF ROCKWALL, ROCKWALL COUNTY, TEXAS						
DESIGN	DRAWN	CHECKED	SCALE	DATE	FILE	SHEET
Walls	Lovecchio	Martinez	H: 1" = 40'	08/15/09	9005	C-07



THE SEAL APPEARING ON THIS DOCUMENT WAS AUTHORIZED BY DAVID W. WALLS, P.E. 93086

David W. Walls P.E.
10-18-09