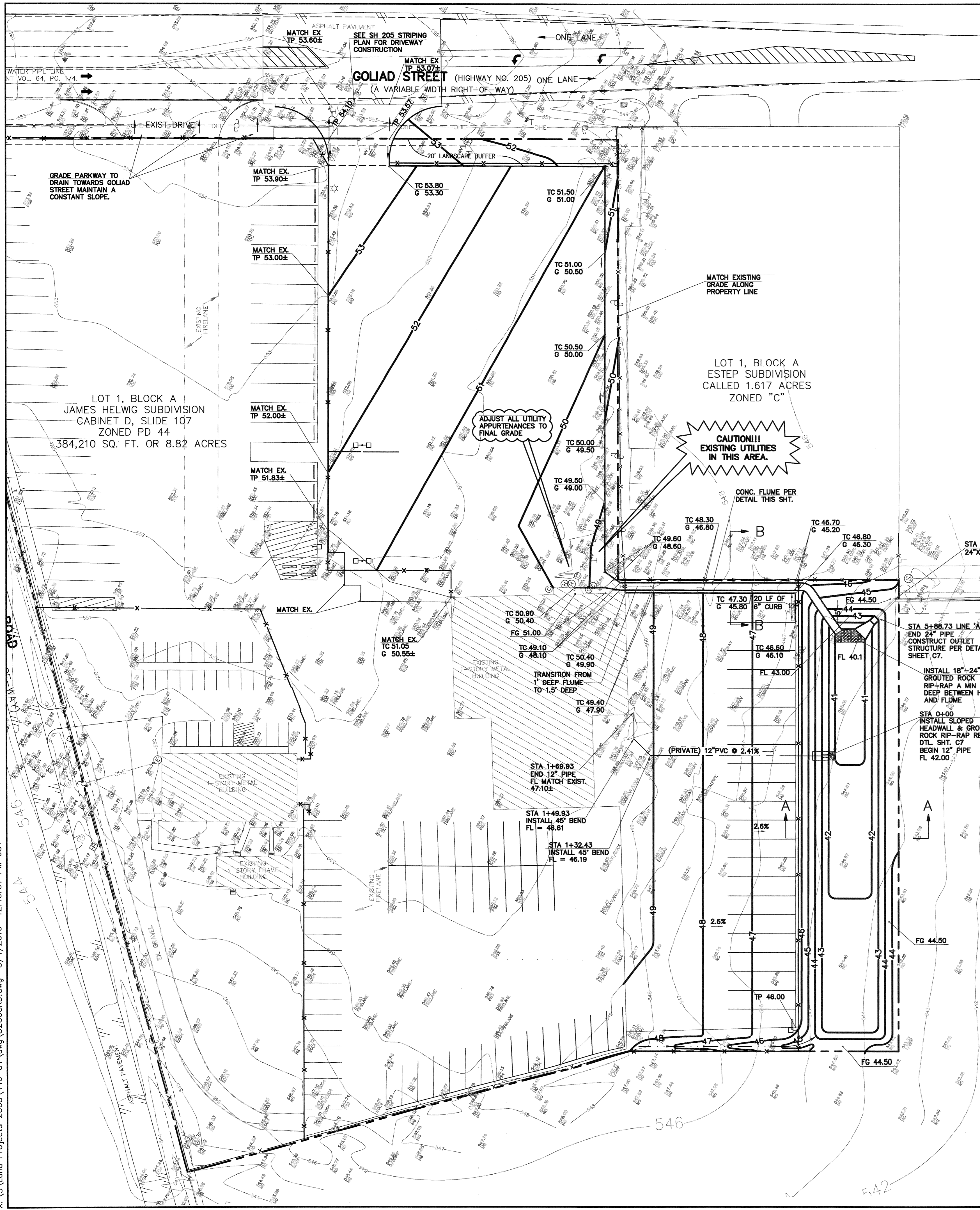
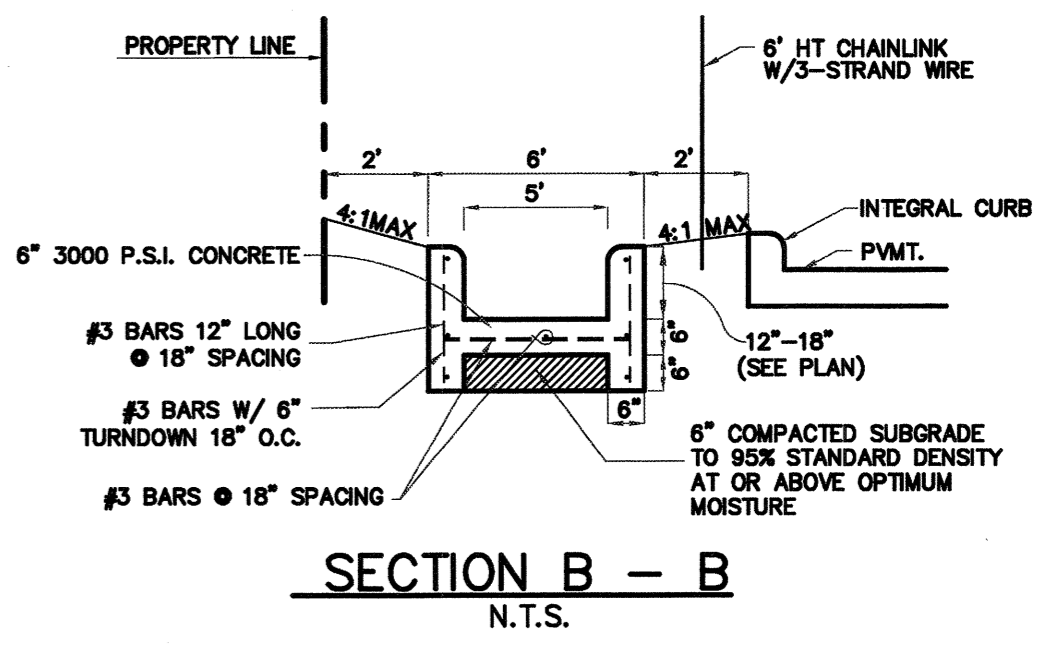
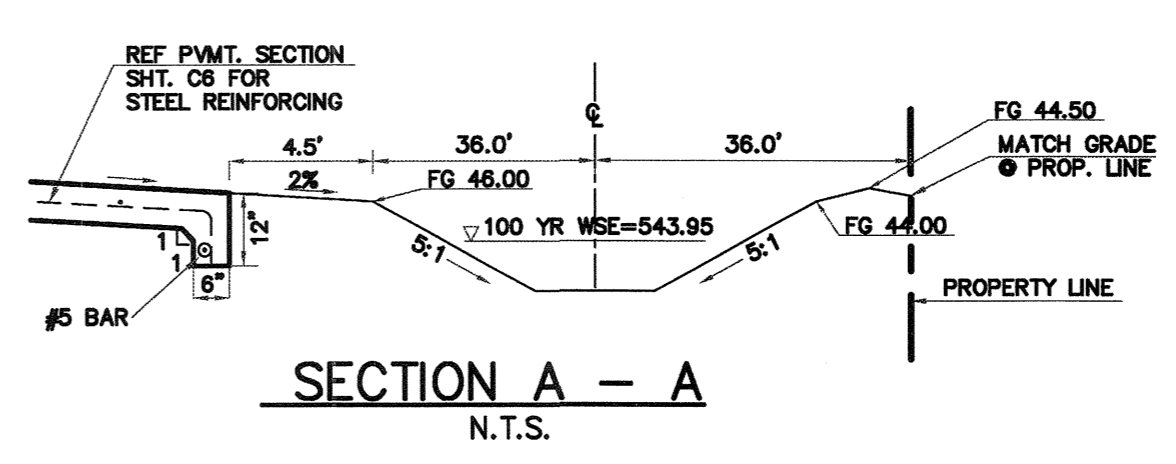
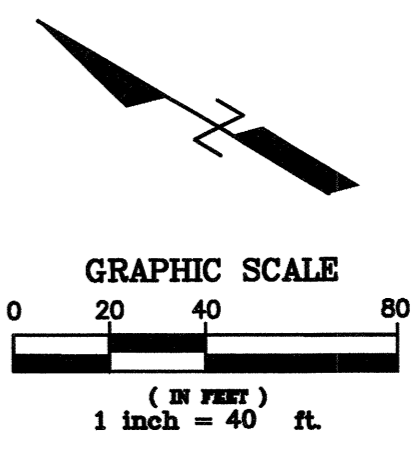
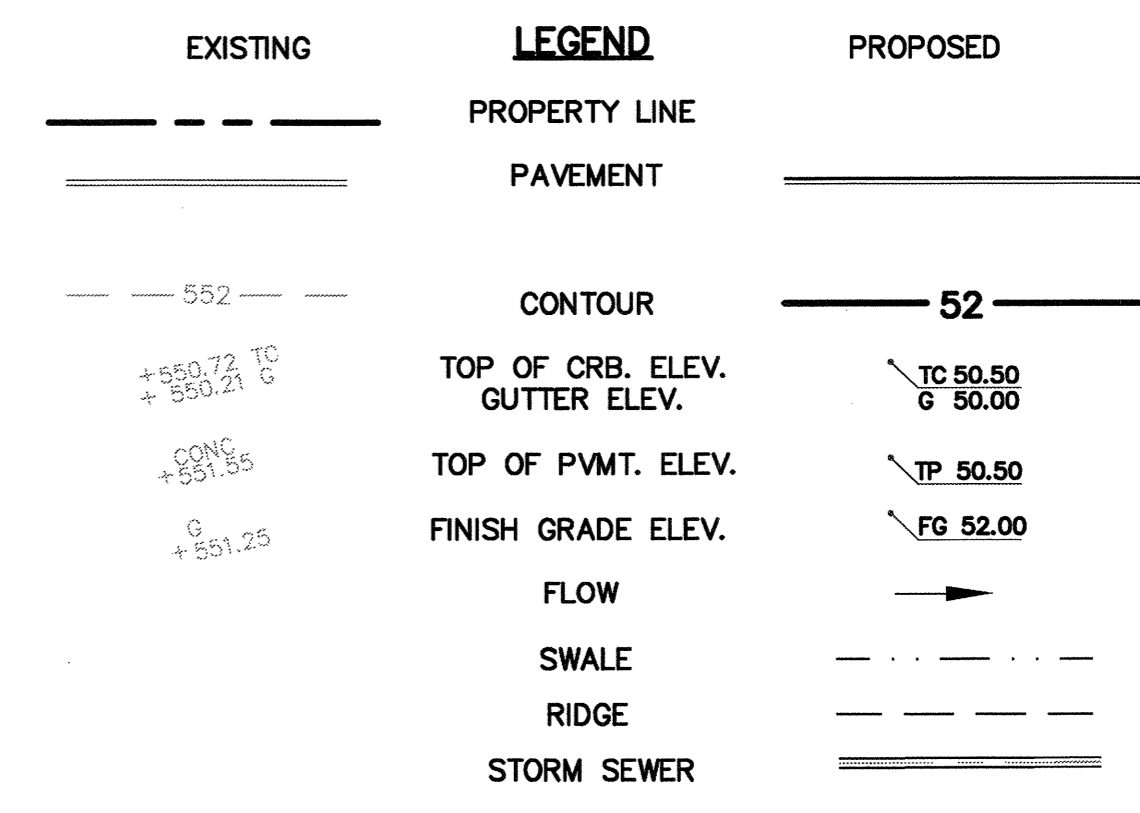


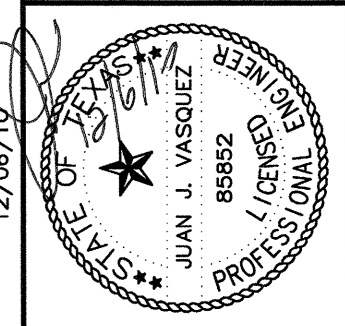
X:\S\Land Projects 2008\440-01.dwg\02CORD.dwg 3/4/2010 12:10:07 PM CST



BENCHMARK
Elevations are based on City of Rockwall survey Control Monument No. M929, NAVD 88 Elevation of 524.552 feet.



THE SEAL APPEARING ON THIS DOCUMENT WAS AUTHORIZED BY
JUAN J. VASQUEZ
12/06/10



TRANSM TRUCKING, INC.
2670 SOUTH GOLIAD
ROCKWALL, TEXAS 75032
PHONE: 972-722-0675
FAX: 972-961-9050

GRADING & DRAINAGE PLAN
TRANSM TRUCKING, INC.
LOT 1, BLOCK A
CITY OF ROCKWALL, ROCKWALL COUNTY, TEXAS

Scale: 1" = 40'
Designed by: J.J.V.
Drawn by: J.N.M.
Checked by: J.J.V.
508-01.dwg 01/06/10

RECORD DRAWING
THE IMPROVEMENTS SHOWN ON THIS PLAN WERE COMPLETED IN GENERAL COMPLIANCE WITH THE DESIGN PLANS TO THE BEST OF OUR KNOWLEDGE. THIS DETERMINATION WAS MADE BASED ON POST-CONSTRUCTION SURVEY DATA AND INFORMATION PROVIDED BY THE CONTRACTOR.
SIGNED: [Signature] DATE: 12/2/10
VASQUEZ ENGINEERING, TEXAS REG. F-12266

SHEET
C2

VASQUEZ ENGINEERING
4300 Alpha Road
Building 1, Suite 100
Dallas, Texas 75244
Ph: 972-385-8212
TX Registration # F-12266