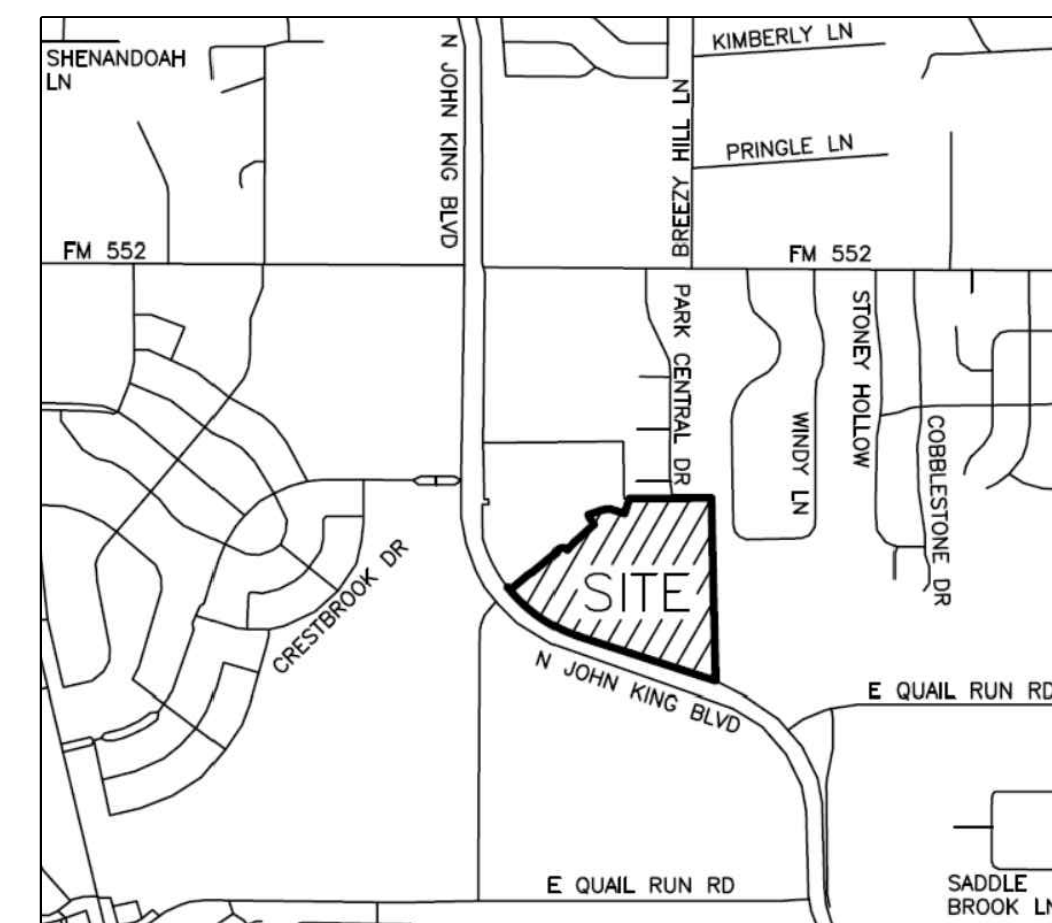


GENERAL CONSTRUCTION NOTES

- ALL CONSTRUCTION, TESTING, AND MATERIALS SHALL BE IN ACCORDANCE WITH THE CITY'S CURRENT STANDARDS, DETAILS, AND SPECIFICATIONS.
- PRIOR TO ANY CONSTRUCTION ACTIVITIES, THE CONTRACTOR SHALL BE FAMILIAR WITH THE PLANS INCLUDING ALL NOTES, STANDARD SPECIFICATIONS, DETAILS, AND CITY STANDARDS.
- TESTING AND INSPECTION OF MATERIALS SHALL BE PERFORMED BY A COMMERCIAL TESTING LABORATORY APPROVED BY THE CLIENT AND CITY. CONTRACTOR SHALL FURNISH MATERIALS OR SPECIMENS FOR TESTING, AND SHALL FURNISH SUITABLE EVIDENCE THAT THE MATERIALS PROPOSED TO BE INCORPORATED INTO THE WORK ARE IN ACCORDANCE WITH THE SPECIFICATIONS.
- CONTRACTOR SHALL NOTIFY THE CITY AT LEAST 48 HOURS PRIOR TO BEGINNING ANY CONSTRUCTION.
- CONTRACTOR IS RESPONSIBLE FOR OBTAINING ALL NECESSARY PERMITS AND APPROVALS PRIOR TO BEGINNING ANY CONSTRUCTION.
- CONTRACTOR MUST KEEP AVAILABLE ON-SITE AT ALL TIMES APPROVED CONSTRUCTION PLANS AND COPIES OF ANY REQUIRED PERMITS ALONG WITH THE CURRENT VERSIONS OF THE FOLLOWING REFERENCES: CITY OF ROCKWALL ENGINEERING STANDARDS, NCTCOG SPECIFICATIONS, TXDOT SPECIFICATIONS, AND TXDOT STANDARD DRAWINGS.
- ALL SHOP DRAWINGS, WORKING DRAWINGS OR OTHER DOCUMENTS WHICH REQUIRE REVIEW BY THE CITY SHALL BE SUBMITTED BY THE CONTRACTOR SUFFICIENTLY IN ADVANCE OF SCHEDULED CONSTRUCTION TO ALLOW NO LESS THAN 14 CALENDAR DAYS FOR REVIEW AND RESPONSE BY THE CITY.
- THE CONTRACTOR SHALL BE RESPONSIBLE FOR ALL REQUIRED CONSTRUCTION SURVEYING AND STAKING AND SHALL NOTIFY THE CLIENT AND CITY OF ANY DISCREPANCIES PRIOR TO PROCEEDING WITH ANY WORK.
- CONTRACTOR SHALL BE RESPONSIBLE FOR PROTECTING ALL SURVEY MARKERS INCLUDING IRON RODS, PROPERTY CORNERS, OR SURVEY MONUMENTS WITHIN THE LIMITS OF CONSTRUCTION AND OUTSIDE ROW DURING CONSTRUCTION. ANY SURVEY MARKERS DISTURBED DURING CONSTRUCTION SHALL BE REPLACED BY THE CONTRACTOR AT NO COST TO THE CLIENT.
- CONTRACTOR IS RESPONSIBLE FOR KEEPING STREETS AND DRIVEWAYS ADJACENT TO THE PROJECT FREE OF MUD AND DEBRIS AT ALL TIMES. CONTRACTOR SHALL CLEAN UP AND REMOVE ALL LOOSE MATERIAL RESULTING FROM CONSTRUCTION OPERATIONS. THE CONTRACTOR SHALL TAKE ALL AVAILABLE PRECAUTIONS TO CONTROL DUST.
- THE EXISTENCE AND LOCATIONS OF THE PUBLIC AND FRANCHISE UTILITIES SHOWN ON THE DRAWINGS WERE OBTAINED FROM AVAILABLE RECORDS AND ARE APPROXIMATE. THE CONTRACTOR SHALL DETERMINE THE DEPTH AND LOCATION OF EXISTING UNDERGROUND UTILITIES PRIOR TO EXCAVATING, TRENCHING, OR DRILLING AND SHALL BE REQUIRED TO TAKE ANY PRECAUTIONARY MEASURES TO PROTECT ALL LINES SHOWN AND / OR ANY OTHER UNDERGROUND UTILITIES NOT OF RECORD OR NOT SHOWN ON THE PLANS. THE CONTRACTOR SHALL BE RESPONSIBLE FOR CONTACTING ALL PUBLIC AGENCIES AND FRANCHISE UTILITIES 48 HOURS PRIOR TO CONSTRUCTION. (DIG-TESS 1-800-344-8377) THE CONTRACTOR MAY BE REQUIRED EXPOSE THESE FACILITIES AT NO COST TO THE CITY. THE CONTRACTOR WILL BE RESPONSIBLE FOR DAMAGES TO UTILITIES IF THE DAMAGE IS CAUSED BY NEGLIGENCE OR FAILURE TO HAVE LOCATES PERFORMED.
- THE CONTRACTOR SHALL BE RESPONSIBLE FOR ANY DAMAGE TO EXISTING FACILITIES OR ADJACENT PROPERTIES DURING CONSTRUCTION. ANY REMOVAL OR DAMAGE TO EXISTING FACILITIES SHALL BE REPLACED OR REPAIRED TO EQUAL OR BETTER CONDITION BY THE CONTRACTOR.
- CONTRACTOR SHALL BE RESPONSIBLE FOR FURNISHING AND INSTALLING ALL TEMPORARY AND PERMANENT TRAFFIC CONTROL IN ACCORDANCE WITH THE MINIMUM REQUIREMENTS OF THE LATEST REVISION OF THE TEXAS MANUAL ON UNIFORM TRAFFIC CONTROL DEVICES (TMUTCD) AND TXDOT BARRICADE AND CONSTRUCTION STANDARDS.
- CONTRACTOR SHALL NOT IMPEDE TRAFFIC ON EXISTING STREETS, DRIVEWAYS, ALLEYS, OR FIRE LANES OPEN TO THE PUBLIC. IN THE EVENT THE CONSTRUCTION WORK REQUIRES THE CLOSURE OF AN EXISTING STREET, ALLEY, OR FIRE LANE, THE CONTRACTOR SHALL REQUEST THE ROAD CLOSURE THROUGH THE CITY TRAFFIC DIVISION.
- CONTRACTOR SHALL NOT STORE MATERIALS, EQUIPMENT OR OTHER CONSTRUCTION ITEMS ON ADJACENT PROPERTIES OR RIGHT-OF-WAY WITHOUT THE PRIOR WRITTEN CONSENT OF THE PROPERTY OWNER AND THE CITY.
- TEMPORARY FENCING SHALL BE INSTALLED PRIOR TO THE REMOVAL OF EXISTING FENCING. TEMPORARY FENCING SHALL BE REMOVED AFTER PROPOSED FENCING IS APPROVED BY THE CITY. ALL TEMPORARY AND PROPOSED FENCING LOCATIONS SHALL BE SUBJECT TO FIELD REVISIONS AS DIRECTED BY THE CITY.
- UNUSABLE EXCAVATED MATERIAL, OR CONSTRUCTION DEBRIS SHALL BE REMOVED AND DISPOSED OF OFF-SITE AT AN APPROVED DISPOSAL FACILITY BY THE CONTRACTOR AT HIS EXPENSE.
- CONTRACTOR SHALL AVOID DAMAGE TO EXISTING TREES. WHEN NECESSARY, TREES AND SHRUB TRIMMING FOR CONSTRUCTION SHALL BE PERFORMED BY CERTIFIED TREE WORKER OR UNDER THE DIRECTION OF A REGISTERED LANDSCAPE ARCHITECT OR CERTIFIED ARBORIST.
- EROSION CONTROL DEVICES SHALL BE INSTALLED ON ALL PROJECTS PRIOR TO BEGINNING CONSTRUCTION AND SHALL BE MAINTAINED THROUGHOUT THE PROJECT IN A CONDITION ACCEPTABLE TO THE CITY.
- CONTRACTOR SHALL LOCATE AND PROTECT ALL EXISTING LANDSCAPE IRRIGATION SYSTEMS. DAMAGE TO EXISTING IRRIGATION SYSTEMS AND LANDSCAPE MATERIALS SHALL BE RESTORED TO EQUAL OR BETTER CONDITION AT NO COST TO CITY OR CLIENT.
- IT IS THE CONTRACTOR'S RESPONSIBILITY TO MAINTAIN A NEAT AND ACCURATE RECORD OF CONSTRUCTION FOR THE CLIENT'S AND CITY'S RECORDS.

CONSTRUCTION PLANS FOR SCREENING AND BUFFERING ~SADDLE STAR ESTATES SOUTH - PH1~ CITY OF ROCKWALL ROCKWALL COUNTY, TEXAS

SUBMITTAL DATE: August 29, 2019



LOCATION MAP
NOT TO SCALE

SHEET INDEX	
L1	OVERALL LAYOUT PLAN
L2-L10	LANDSCAPE PLANS
L11-L15	LANDSCAPE DETAILS
IR1-IR9	IRRIGATION PLANS
IR10-IR11	IRRIGATION DETAILS

GENERAL LANDSCAPE NOTES:

- INSPECTIONS:**
- NO EXCAVATION SHALL OCCUR IN CITY R.O.W. WITHOUT A R.O.W. PERMIT-CONTACT THE PUBLIC WORKS DEPARTMENT.
 - THE CONTRACTOR SHALL MARK ALL WATER LINES, SEWER LINES, AND TREE LOCATIONS PRIOR TO CALLING FOR ROW INSPECTION AND PERMIT.
 - THE LANDSCAPE INSTALLATION SHALL COMPLY WITH APPROVED LANDSCAPE DRAWINGS PRIOR TO FINAL ACCEPTANCE BY THE CITY AND ISSUANCE OF A CERTIFICATE OF OCCUPANCY.
 - WATER METERS, CLEANOUTS AND OTHER APPURTENANCES, SHALL BE ACCESSIBLE, ADJUSTED TO GRADE, CLEARLY MARKED WITH FLAGGING AND COMPLIANT WITH PUBLIC WORKS DEPARTMENT STANDARDS PRIOR TO CALLING FOR FINAL LANDSCAPE AND ROW INSPECTIONS.

- LANDSCAPE STANDARDS:**
- PLANTINGS AND LANDSCAPE ELEMENTS SHALL COMPLY WITH THE CITY'S ENGINEERING DESIGN STANDARDS, PUBLIC R.O.W. VISIBILITY REQUIREMENTS, UNLESS OTHERWISE SPECIFIED. TREES SHALL BE PLANTED NO LESS THAN 4' FROM CURBS, SIDEWALKS, UTILITY LINES, SCREENING WALLS AND OTHER STRUCTURES. THE CITY HAS FINAL APPROVAL FOR ALL TREE PLACEMENTS.
 - A MINIMUM THREE FEET (3') RADIUS AROUND A FIRE HYDRANT MUST REMAIN CLEAR OF LANDSCAPE PURSUANT TO THE FIRE CODE.
 - STREET TREES, WHERE REQUIRED, SHALL BE (10') MINIMUM FROM THE EDGE OF A STORM SEWER CURB INLET BOX AND THE EDGE OF THE ROOT BALL SHALL BE (4') MINIMUM FROM THE WATER METER.
 - THE AMERICAN STANDARD FOR NURSERY STOCK (ANSI Z60.1-2014) SPECIFICATIONS SHALL GOVERN PLANT QUALIFICATIONS, GRADES, AND STANDARDS.
 - TREE PLANTING SHALL COMPLY WITH DETAILS HEREIN AND THE INTERNATIONAL SOCIETY OF ARBORICULTURE (ISA) STANDARDS.
 - A 2-3" LAYER OF MULCH SHALL BE PROVIDED AROUND THE BASE OF THE PLANTED TREE. THE MULCH SHALL BE PULLED BACK 4" FROM THE TRUNK OF THE TREE.
 - TREE PITS SHALL BE TESTED FOR WATER PERCOLATION. IF WATER DOES NOT DRAIN OUT OF TREE PIT WITHIN 24-HOURS, THE TREE SHALL BE MOVED OR DRAINAGE SHALL BE PROVIDED.
 - ALL BEDS TO HAVE 3" OF COMPOSTED SOIL, LIVING EARTH TECHNOLOGY, OR APPROVED EQUAL FILLED AND TURNED TO A DEPTH OF 8" MINIMUM.
 - ALL PLANT BEDS SHALL BE TOP-DRESSED WITH A MINIMUM OF 3 INCHES OF HARDWOOD MULCH.
 - NATIVE SITE TOPSOIL IS TO BE PROTECTED FROM EROSION OR STOCKPILED. NATIVE SITE TOPSOIL SHALL BE LABORATORY TESTED BY AND ACCREDITED LABORATORY AND AMENDED PER SAID LABORATORY'S RECOMMENDATIONS.

- IRRIGATION STANDARDS:**
- ANY CHANGES TO THESE APPROVED IRRIGATION DRAWINGS SHALL BE AUTHORIZED BY THE CITY.
 - CONTACT DEVELOPMENT SERVICES FOR AN IRRIGATION PERMIT PRIOR TO INSTALLING THE IRRIGATION SYSTEM.
 - IRRIGATION OVER-SPRAY ON STREETS AND WALKS IS PROHIBITED.
 - MAINLINES, VALVES, OR CONTROL WIRES SHALL NOT BE LOCATED IN THE CITY'S ROW.
 - ET IRRIGATION CONTROLLERS SHALL BE PROGRAMMED AND ADJUSTED TO NOT EXCEED THE LANDSCAPE WATER ALLOWANCE (LWA) PRIOR TO APPROVAL OF LANDSCAPE INSTALLATION.
 - VALVES SHALL BE LOCATED A MINIMUM OF (5') AWAY FROM STORM SEWERS, AND SANITARY SEWER LINES AND 5 FEET FROM CITY FIRE HYDRANTS AND WATER VALVES.
 - THE BORE DEPTH UNDER STREETS, DRIVE AISLES, AND FIRE LANES SHALL PROVIDE (2') OF CLEARANCE (MINIMUM).
 - IRRIGATION HEADS THAT RUN PARALLEL AND NEAR PUBLIC WATER AND SANITARY SEWER LINES; SHALL BE FED FROM STUBBED LATERALS OR BULL-BEADS. A MINIMUM FIVE FOOT (5') SEPARATION IS REQUIRED BETWEEN IRRIGATION MAIN LINES AND LATERALS THAT RUN PARALLEL TO PUBLIC WATER AND SANITARY SEWER LINES.
 - NO VALVES, BACKFLOW PREVENTION ASSEMBLIES, QUICK COUPLERS ETC. SHALL BE LOCATED CLOSER THAN 10' FROM THE CURB AT STREET OR DRIVE INTERSECTION.

- MAINTENANCE STANDARDS:**
- THE OWNER SHALL BE RESPONSIBLE FOR THE ESTABLISHMENT, MAINTENANCE, AND VIGOR OF PLANT MATERIAL IN ACCORDANCE WITH THE DESIGN INTENT AND AS APPROPRIATE FOR THE SEASON OF THE YEAR.
 - LANDSCAPE AND OPEN AREAS SHALL BE FREE OF TRASH, LITTER AND WEEDS.
 - NO PLANT MATERIAL SHALL BE ALLOWED TO ENCROACH ON R.O.W., SIDEWALKS OR EASEMENTS TO THE EXTENT THAT VISION OR ROUTE OF TRAVEL FOR VEHICULAR, PEDESTRIAN, OR BICYCLE TRAFFIC IS IMPEDED.
 - TREE MAINTENANCE SHALL BE IN ACCORDANCE WITH THE STANDARDS OF THE INTERNATIONAL SOCIETY OF ARBORICULTURE.
 - TREE STAKING MATERIALS, IF USED, SHALL BE REMOVED AFTER (1) GROWING SEASON, NO MORE THAN (1) YEAR AFTER INSTALLATION (STEEL TREE STAKES, WIRES, AND HOSES ARE PROHIBITED).

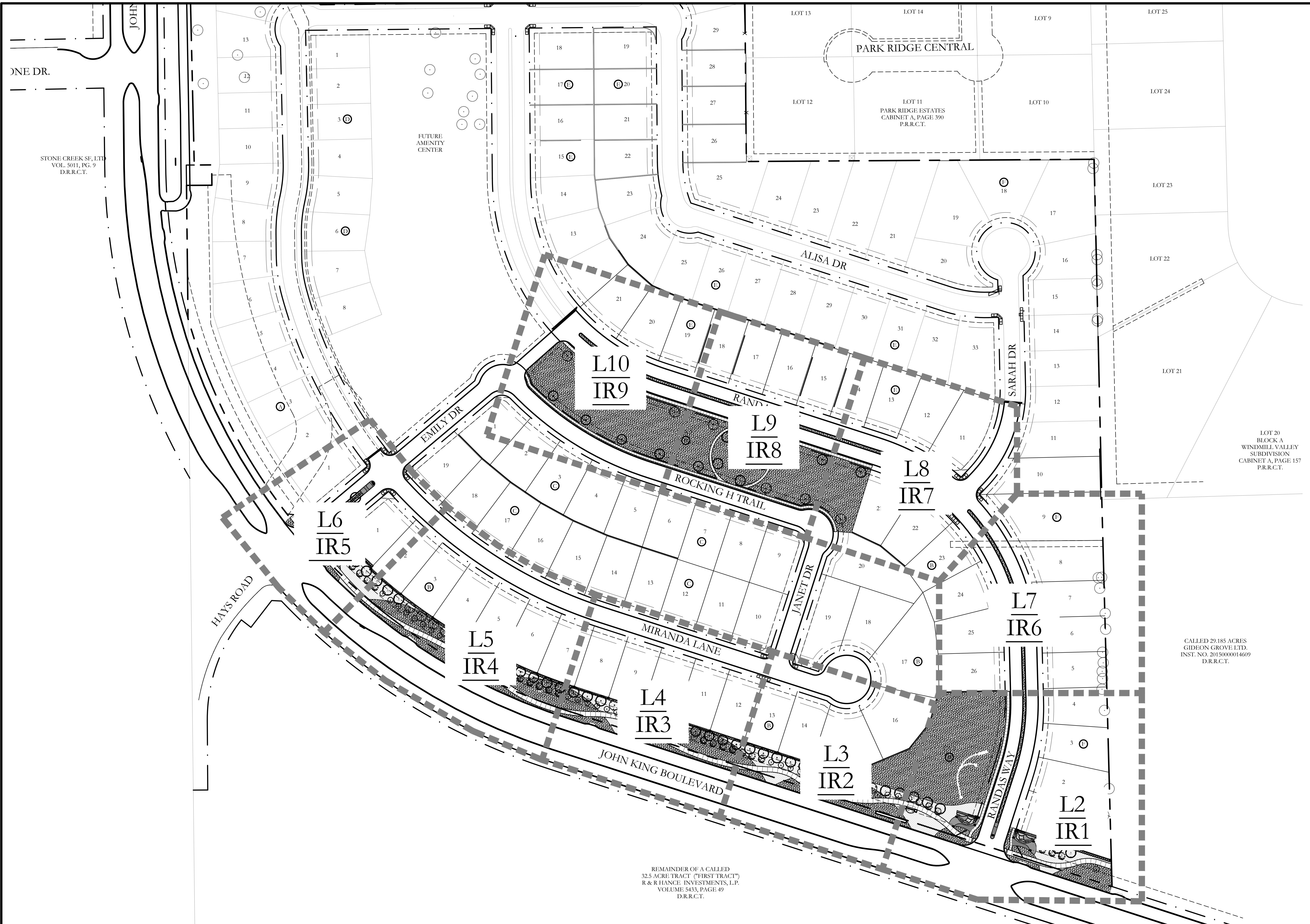
- TREE PROTECTION NOTES:**
- CONTACT DEVELOPMENT SERVICES FOR A TREE REMOVAL PERMIT PRIOR TO REMOVAL OR TRANSPLANTING OF ANY TREES.
 - ALL TREES WHICH ARE TO REMAIN ON SITE SHALL BE PROTECTED WITH A (4') TALL BRIGHTLY COLORED PLASTIC FENCE, OR SILT FENCE, PLACED AT THE DRIP LINE OF THE TREES.
 - PRIOR TO THE PRE-CONSTRUCTION MEETING OR OBTAINING A GRADING PERMIT, ALL TREE MARKINGS AND PROTECTIVE FENCING SHALL BE INSTALLED BY THE OWNER AND BE INSPECTED BY DEVELOPMENT SERVICES.
 - NO EQUIPMENT SHALL BE CLEANED, OR HARMFUL LIQUIDS DEPOSITED WITHIN THE LIMITS OF THE ROOT ZONE OF TREES WHICH REMAIN ON SITE.
 - NO SIGNS, WIRES, OR OTHER ATTACHMENTS SHALL BE ATTACHED TO ANY TREE TO REMAIN ON SITE.
 - VEHICULAR AND CONSTRUCTION EQUIPMENT SHALL NOT PARK OR DRIVE WITHIN THE LIMITS OF THE DRIP LINE.
 - GRADE CHANGES IN EXCESS OF 3 INCHES (CUT OR FILL) SHALL NOT BE ALLOWED WITHIN A ROOT ZONE, UNLESS ADEQUATE TREE PRESERVATION METHODS ARE APPROVED BY THE CITY.
 - NO TRENCHING SHALL BE ALLOWED WITHIN THE DRIP-LINE OF A TREE, UNLESS APPROVED BY THE CITY.
 - ALL REMOVED TREES SHALL BE CHIPPED AND USED FOR MULCH ON SITE OR Hauled OFF-SITE.
 - ALL TREE MAINTENANCE TECHNIQUES SHALL BE IN CONFORMANCE WITH INDUSTRY IDENTIFIED STANDARDS. IMPROPER OR MALICIOUS PRUNING TECHNIQUES ARE STRICTLY PROHIBITED.

OWNER / DEVELOPER:
SADDLE STAR SOUTH HOLDINGS, LLC
2200 ROSS AVENUE
SUITE 4200W
DALLAS, TEXAS 75201
PH. (972) 716-2900
CONTACT: JOSE CAMPOS

CIVIL ENGINEER:
ENGINEERING CONCEPTS & DESIGN, LP
201 WINDCO CIRCLE
SUITE 200
WYLIE, TEXAS 75098
PH. (972) 941-8400
CONTACT: RYAN KING

LANDSCAPE ARCHITECT:
CODY JOHNSON STUDIO, LLC
9720 COIT ROAD SUITE 220-333
PLANO, TEXAS 75025
PH. (903) 570-0162
CONTACT: CODY JOHNSON, RLA, ASLA, LI





ONE DR.

STONE CREEK SF, LTD
VOL. 5011, PG. 9
D.R.R.C.T.

JOHN

FUTURE
AMENITY
CENTER

PARK RIDGE CENTRAL

LOT 11
PARK RIDGE ESTATES
CABINET A, PAGE 390
P.R.R.C.T.

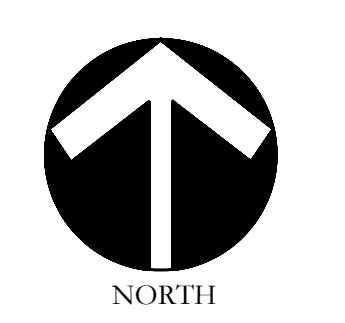
LOT 20
BLOCK A
WINDMILL VALLEY
SUBDIVISION
CABINET A, PAGE 157
P.R.R.C.T.

CALLED 29.185 ACRES
GIDEON GROVE LTD.
INST. NO. 20150000014609
D.R.R.C.T.

REMAINDER OF A CALLED
32.5 ACRE TRACT ("FIRST TRACT")
R & R HANCE INVESTMENTS, L.P.
VOLUME 5433, PAGE 49
D.R.R.C.T.

CODY JOHNSON
s.t.u.d.i.o

9720 COTT ROAD SUITE 220-333 PLANO, TEXAS 75025
PH. (972) 570-0162
EMAIL: CODY@CODYJOHNSONSTUDIO.COM



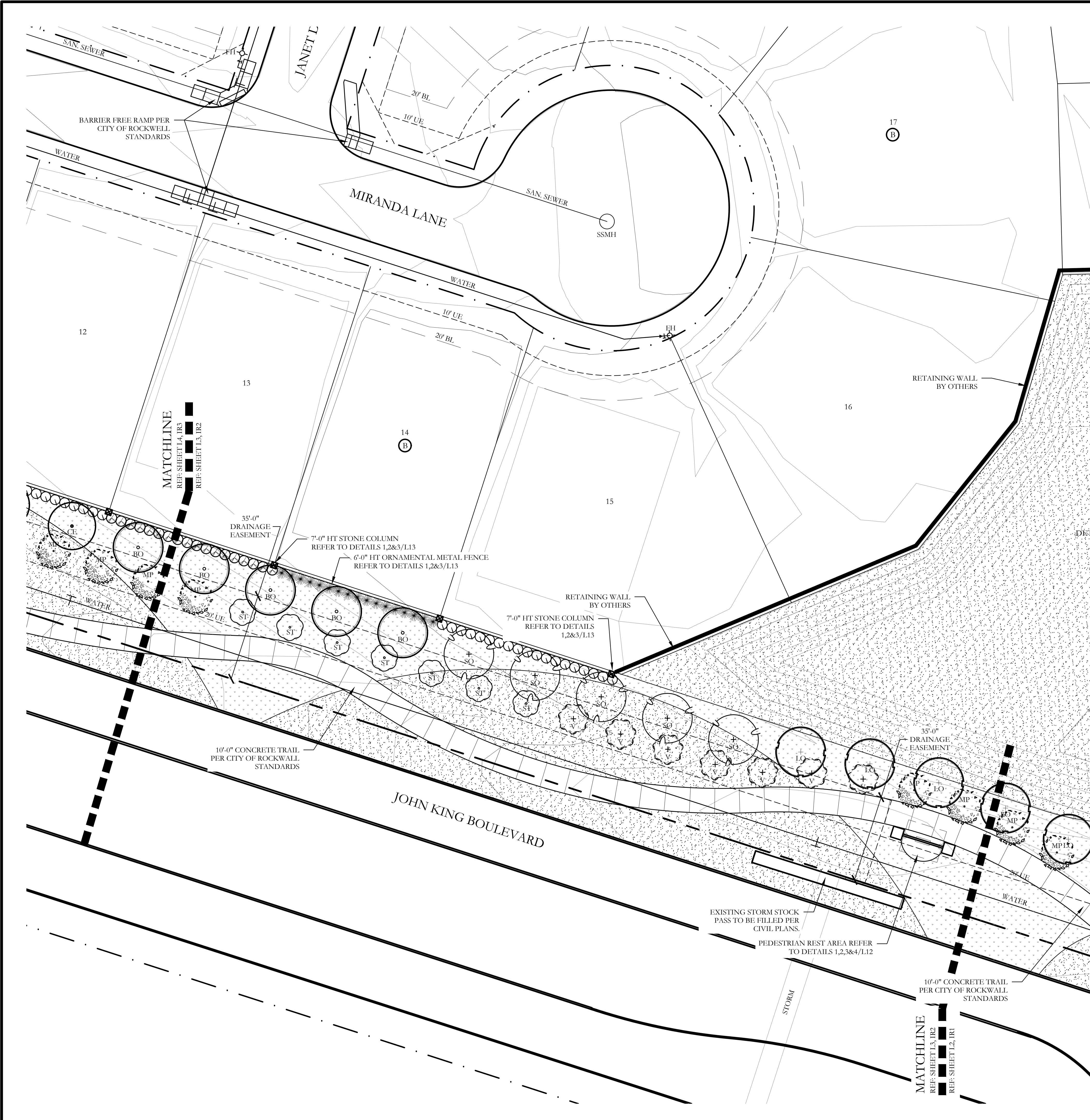
Scale: 1" = 80'-0"

Bar is one inch on original drawing. If not one inch on this sheet, adjust scale as necessary.

One Inch

SCREENING AND BUFFERING
Overall Layout Plan
Saddle Star Estates South - Phase 1
City of Rockwall, Rockwall County, Texas

CJS PROJECT NO.
PAD001
SHEET NO.
L1 of 12



HARDSCAPE LEGEND

	6'-0" HT. ENTRY SIGN WALL REFER TO DETAILS 1,2,&3/L1,1.		6'-0" HT. ORNAMENTAL METAL FENCE REFER TO DETAILS 1,2,&3/L1,3.
	14'-0" HT. STONE ENTRY TOWER REFER TO DETAILS 1&4/L1,1.		PEDESTRIAN REST AREA REFER TO DETAILS 1,2,3&4/L1,2.
	7'-0" HT. STONE COLUMN. REFER TO DETAILS 1,3&4/L1,3.		

PLANT LEGEND

SYMBOL	KEY	COMMON NAME	SCIENTIFIC NAME	SIZE	SPACING
	LO	LIVE OAK	QUERCUS VIRGINIANA	4" CALIPER	AS SHOWN
	SO	SHUMARD OAK	QUERCUS SHUMARDII	4" CALIPER	AS SHOWN
	BO	BUR OAK	QUERCUS MACROCARPA	4" CALIPER	AS SHOWN
	CE	CEDAR ELM	ULMUS CRASSIFOLIA	4" CALIPER	AS SHOWN
	MP	MEXICAN PLUM	PRUNUS MEXICANA	2" CALIPER	AS SHOWN
	V	CHASTE TREE	VITEX AGNUS	2" CALIPER	AS SHOWN
	ST	SMOKE TREE	COTINUS COGGYGRIA	2" CALIPER	AS SHOWN
		TEXAS SAGE	LEUCOPHYLLUM FRUTESCENS	7 GALLON	48" O.C.
		EDWARD GOUCHER ABELIA	ABELIA GRANDIFLORA 'EDWARD GOUCHER'	7 GALLON	48" O.C.
		'DALLAS BLUES' SWITCHGRASS	PANICUM VIRGATUM 'DALLAS BLUES'	3 GAL.	36" O.C.
		INDIAN HAWTHORN 'SNOW'	RHAPHIOLEPIS INDICA 'SNOW'	3 GALLON	36" O.C.
		'LITTLE SPIRE' RUSSIAN SAGE	PEROVSKIA 'LITTLE SPIRE'	3 GAL.	36" O.C.
		RED YUCCA	HESPERALOE PARVIFLORA	3 GALLON	36" O.C.
		QUEEN VICTORIA AGAVE	AGAVE VICTORIAEA REGINAE	3 GAL.	36" O.C.
		UPRIGHT ROSEMARY	ROSMARINUS OFFICINALIS 'UPRIGHT'	3 GALLON	36" O.C.
		MAUVE WALLFLOWER	ERYSIMUM 'BOWLES MAUVE'	1 GAL.	24" O.C.
		'AUTUMN JOY' SEDUM	SEDUM 'AUTUMN JOY'	1 GAL.	24" O.C.
		PURPLELEAF WINTERCREEPER	FUONYMUS FORTUNE 'COLORATUS'	1 GALLON	12" O.C.
		TAM JUNIPER	JUNIPERUS SABINA 'TAMARISCFOLIA'	7 GALLON	36" O.C.
		WEEPING LOVE GRASS	ERAGROSTIS CURVULA	1 GALLON	18" O.C.
		DWARF SHASTA DAISY	LEUCANTHEMUM X SUPERBUM	1 GALLON	24" O.C.
		LAVENDER COTTON	SANTOLINA CHAMAECYPARISSUS	1 GALLON	24" O.C.
		COMMON BERMUDA GRASS	CYNODON DACTYLON	SQUARE FEET	HYDROMULCH
		BEE HAPPY MIX	BY NATIVE AMERICAN SEED CO	SQUARE FEET	HYDROMULCH
		BLACK STAR CRUSHED GRANITE	3" DEPTH MINIMUM WITH DEWITT 4.1 OZ FILTER FABRIC BENEATH ROCK	SQUARE FEET	1/4" DIAMETER
		TEXAS RIVER ROCK; MIX OF TANS, BROWNS, GRAYS, AND PINKS	3" DEPTH MINIMUM WITH DEWITT 4.1 OZ FILTER FABRIC BENEATH ROCK	SQUARE FEET	EQUAL COMBINATION OF 1-2" AND 2-4"
		OKLAHOMA MOSS ROCK BOULDERS	BURY BOTTOM THIRD OF BOULDER IN LANDSCAPE BED.	50 LB - 250 LB	FIELD LOCATE ALL BOULDER MASSES

CODY JOHNSON
s.t.u.d.i.o

9720 COTT ROAD SUITE 220-333 PLANO, TEXAS 75025
PH. (972) 570-0162
EMAIL: CODY@CODYJOHNSONSTUDIO.COM

NORTH

Scale: 1" = 20'-0"

Bar is one inch on original drawing. If not one inch on this sheet, adjust scale as necessary.

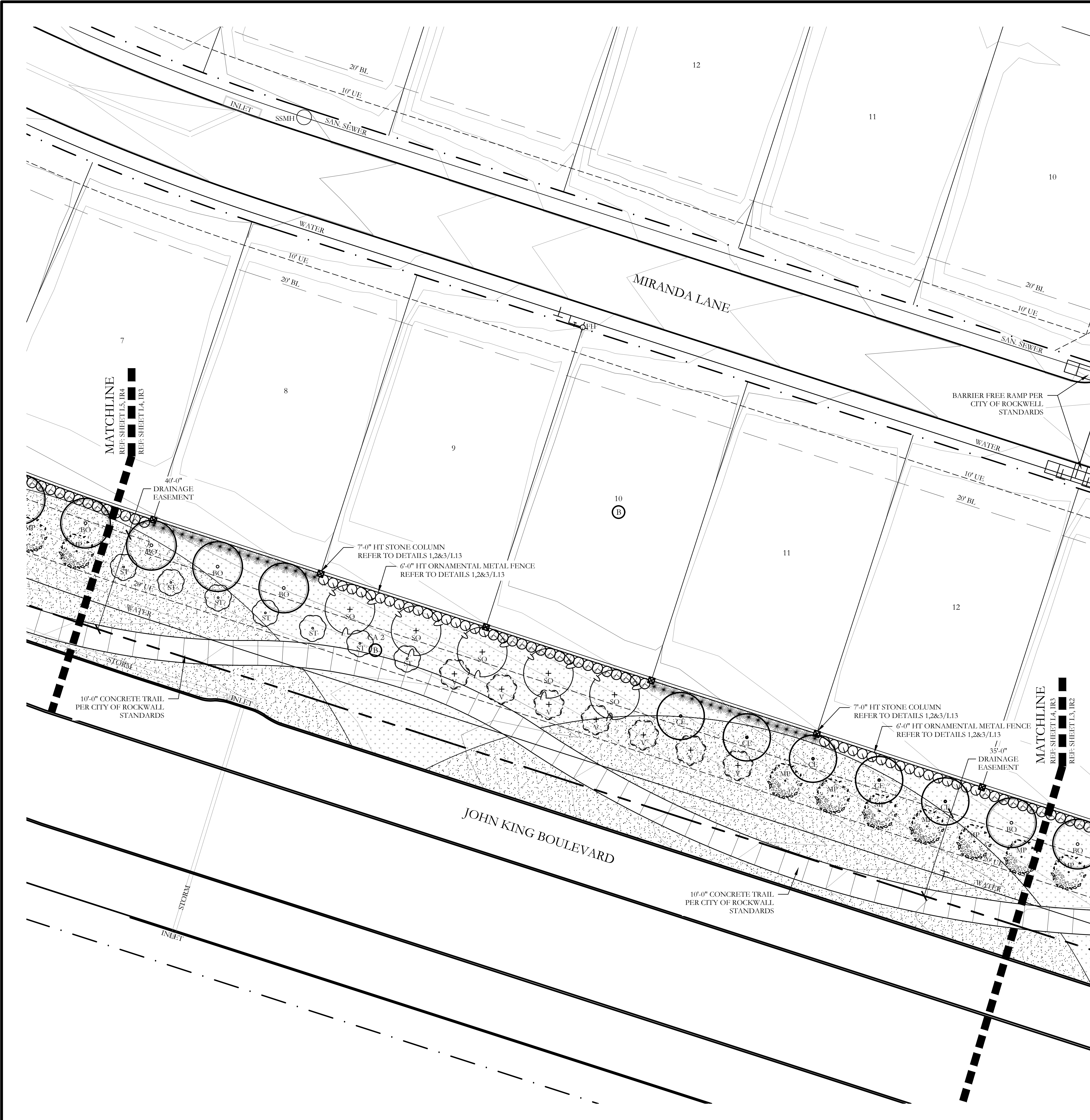
One Inch

SCREENING AND BUFFERING
LANDSCAPE PLAN

Saddle Star Estates South - Phase 1
City of Rockwall, Rockwall County, Texas

CJS PROJECT NO.
PAD001

SHEET NO.
L3 of 12



HARDSCAPE LEGEND

	6'-0" HT. ENTRY SIGN WALL REFER TO DETAILS 1,2,&3/L11.		6'-0" HT. ORNAMENTAL METAL FENCE REFER TO DETAILS 1,2,&3/L13.
	14'-0" HT. STONE ENTRY TOWER REFER TO DETAILS 1&4/L11.		PEDESTRIAN REST AREA REFER TO DETAILS 1,2,&4/L12.
	7'-0" HT. STONE COLUMN. REFER TO DETAILS 1,3&4/L13.		

PLANT LEGEND

SYMBOL	KEY	COMMON NAME	SCIENTIFIC NAME	SIZE	SPACING
	LO	LIVE OAK	QUERCUS VIRGINIANA	4" CALIPER	AS SHOWN
	SO	SHUMARD OAK	QUERCUS SHUMARDII	4" CALIPER	AS SHOWN
	BO	BUR OAK	QUERCUS MACROCARPA	4" CALIPER	AS SHOWN
	CE	CEDAR ELM	ULMUS CRASSIFOLIA	4" CALIPER	AS SHOWN
	MP	MEXICAN PLUM	PRUNUS MEXICANA	2" CALIPER	AS SHOWN
	V	CHASTE TREE	VITEX AGNUS	2" CALIPER	AS SHOWN
	ST	SMOKE TREE	COTINUS COGGYGRIA	2" CALIPER	AS SHOWN
		TEXAS SAGE	LEUCOPHYLLUM FRUTESCENS	7 GALLON	48" O.C.
		EDWARD GOUCHER ABELLA	ABELLIA GRANDIFLORA 'EDWARD GOUCHER'	7 GALLON	48" O.C.
		'DALLAS BLUES' SWITCHGRASS	PANICUM VIRGATUM 'DALLAS BLUES'	3 GAL.	36" O.C.
		INDIAN HAWTHORN 'SNOW'	RHAPHIOLEPIS INDICA 'SNOW'	3 GALLON	36" O.C.
		'LITTLE SPIRE' RUSSIAN SAGE	PEROVSKIA 'LITTLE SPIRE'	3 GAL.	36" O.C.
		RED YUCCA	HESPERALOE PARVIFLORA	3 GALLON	36" O.C.
		QUEEN VICTORIA AGAVE	AGAVE VICTORIAER REGINAE	3 GAL.	36" O.C.
		UPRIGHT ROSEMARY	ROSMARINUS OFFICINALIS 'UPRIGHT'	3 GALLON	36" O.C.
		MAUVE WALLFLOWER	ERYSIMUM 'BOWLES MAUVE'	1 GAL.	24" O.C.
		'AUTUMN JOY' SEDUM	SEDUM 'AUTUMN JOY'	1 GAL.	24" O.C.
		PURPLELEAF WINTERCREEPER	FUONYMUS FORTUNE 'COLORATUS'	1 GALLON	12" O.C.
		TAM JUNIPER	JUNIPERUS SABINA 'TAMARISCFOLIA'	7 GALLON	36" O.C.
		WEEPING LOVE GRASS	ERAGROSTIS CURVULA	1 GALLON	18" O.C.
		DWARF SHASTA DAISY	LEUCANTHEMUM X SUPERBUM	1 GALLON	24" O.C.
		LAVENDER COTTON	SANTOLINA CHAMAECYPARISSUS	1 GALLON	24" O.C.
		COMMON BERMUDA GRASS HYDROMULCH	CYNODON DACTYLON	SQUARE FEET	HYDROMULCH
		BEE HAPPY MIX	BY NATIVE AMERICAN SEED CO	SQUARE FEET	HYDROMULCH
		BLACK STAR CRUSHED GRANITE	3" DEPTH MINIMUM WITH DEWITT 4.1 OZ FILTER FABRIC BENEATH ROCK	SQUARE FEET	1/4" DIAMETER
		TEXAS RIVER ROCK; MIX OF TANS, BROWNS, GRAYS, AND PINKS	3" DEPTH MINIMUM WITH DEWITT 4.1 OZ FILTER FABRIC BENEATH ROCK	SQUARE FEET	EQUAL COMBINATION OF 1-2" AND 2-4"
		OKLAHOMA MOSS ROCK BOULDERS	BURY BOTTOM THIRD OF BOULDER IN LANDSCAPE BED.	50 LB - 250 LB	FIELD LOCATE ALL BOULDER MASSES

CODY JOHNSON
s.t.u.d.i.o

REGISTERED LANDSCAPE ARCHITECT
CODY L. JOHNSON
STATE OF TEXAS
2893
August 29, 2019

9720 COTT ROAD SUITE 220-333 PLANO, TEXAS 75025
PH: (972) 570-0162
EMAIL: CODY@CODYJOHNSONSTUDIO.COM

NORTH

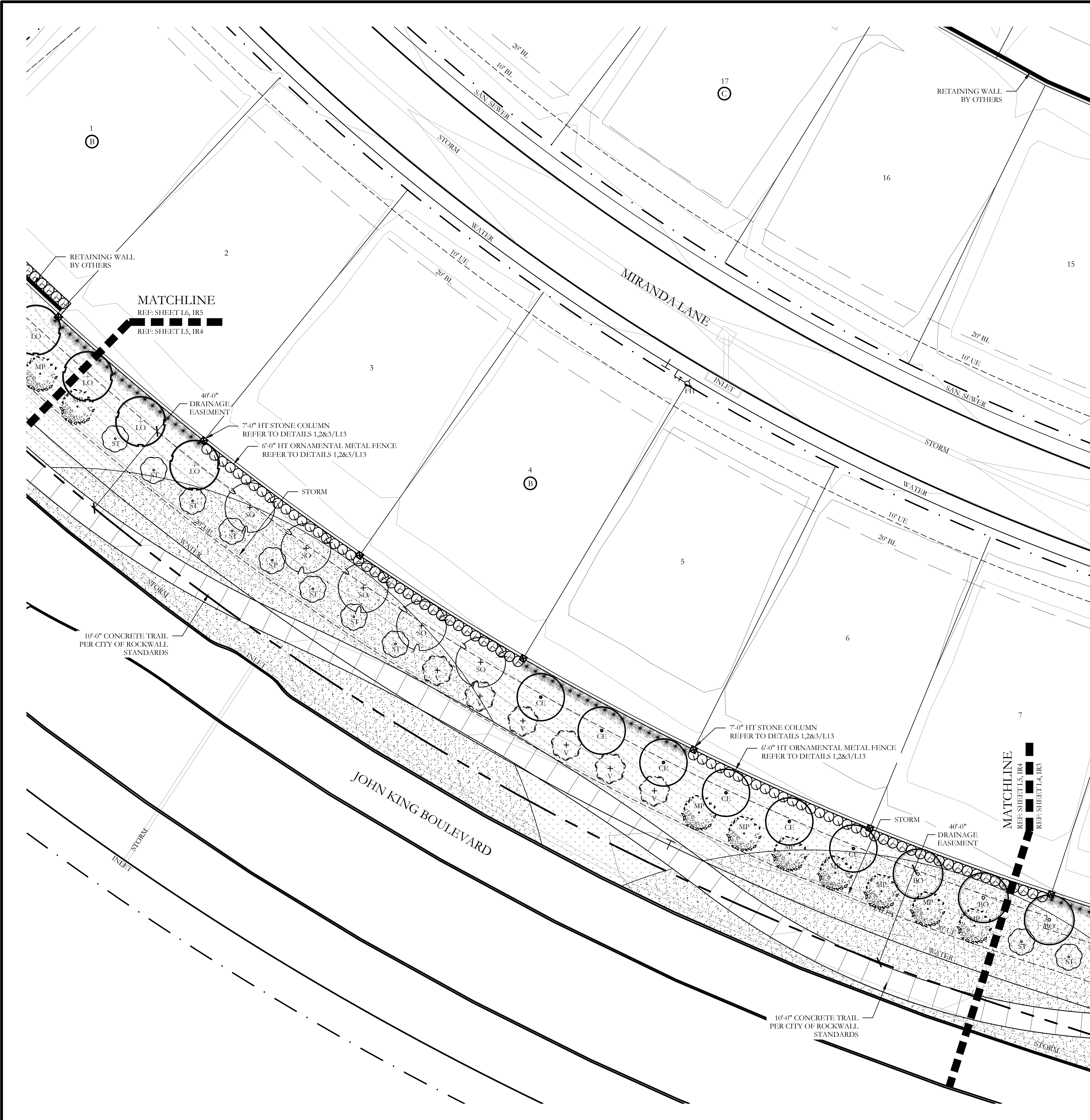
20 10 0 20
Scale: 1" = 20'-0"

Bar is one inch on original drawing. If not one inch on this sheet, adjust scale as necessary.
One Inch

SCREENING AND BUFFERING
LANDSCAPE PLAN
Saddle Star Estates South - Phase 1
City of Rockwall, Rockwall County, Texas

CJS PROJECT NO.
PAD001

SHEET NO.
L4 of 12



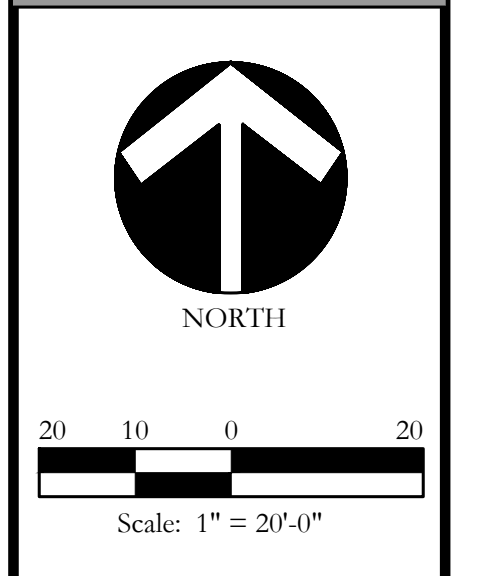
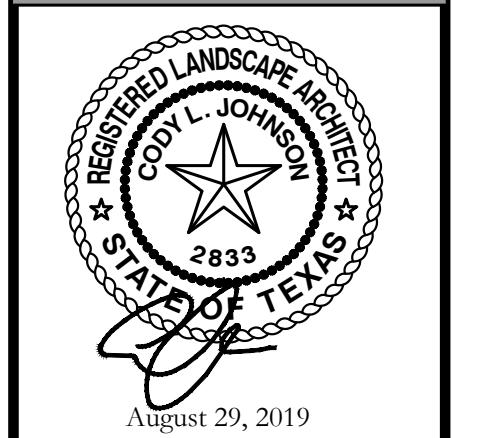
HARDSCAPE LEGEND

	6'-0" HT. ENTRY SIGN WALL REFER TO DETAILS 1,2,&3/L11.		6'-0" HT. ORNAMENTAL METAL FENCE REFER TO DETAILS 1,2,&3/L13.
	14'-0" HT. STONE ENTRY TOWER REFER TO DETAILS 1&4/L11.		PEDESTRIAN REST AREA REFER TO DETAILS 1,2,&4/L12.
	7'-0" HT. STONE COLUMN. REFER TO DETAILS 1,3&4/L13.		

PLANT LEGEND

SYMBOL	KEY	COMMON NAME	SCIENTIFIC NAME	SIZE	SPACING
	LO	LIVE OAK	QUERCUS VIRGINIANA	4" CALIPER	AS SHOWN
	SO	SHUMARD OAK	QUERCUS SHUMARDII	4" CALIPER	AS SHOWN
	BO	BUR OAK	QUERCUS MACROCARPA	4" CALIPER	AS SHOWN
	CE	CEDAR ELM	ULMUS CRASSIFOLIA	4" CALIPER	AS SHOWN
	MP	MEXICAN PLUM	PRUNUS MEXICANA	2" CALIPER	AS SHOWN
	V	CHASTE TREE	VITEX AGNUS	2" CALIPER	AS SHOWN
	ST	SMOKE TREE	COTINUS COGGYGRIA	2" CALIPER	AS SHOWN
		TEXAS SAGE	LEUCOPHYLLUM FRUTESCENS	7 GALLON	48" O.C.
		EDWARD GOUCHER ABELLA	ABELLA GRANDIFLORA 'EDWARD GOUCHER'	7 GALLON	48" O.C.
		'DALLAS BLUES' SWITCHGRASS	PANICUM VIRGATUM 'DALLAS BLUES'	3 GAL.	36" O.C.
		INDIAN HAWTHORN 'SNOW'	RHAPHIOLEPIS INDICA 'SNOW'	3 GALLON	36" O.C.
		'LITTLE SPIRE' RUSSIAN SAGE	PEROVSKIA 'LITTLE SPIRE'	3 GAL.	36" O.C.
		RED YUCCA	HESPERALOE PARVIFLORA	3 GALLON	36" O.C.
		QUEEN VICTORIA AGAVE	AGAVE VICTORIAE REGINAE	3 GAL.	36" O.C.
		UPRIGHT ROSEMARY	ROSMARINUS OFFICINALIS 'UPRIGHT'	3 GALLON	36" O.C.
		MAUVE WALLFLOWER	ERYSIMUM 'BOWLES MAUVE'	1 GAL.	24" O.C.
		'AUTUMN JOY' SEDUM	SEDUM 'AUTUMN JOY'	1 GAL.	24" O.C.
		PURPLELEAF WINTERCREEPER	FUONYMUS FORTUNE 'COLORATUS'	1 GALLON	12" O.C.
		TAM JUNIPER	JUNIPERUS SABINA 'TAMARISCFOLIA'	7 GALLON	36" O.C.
		WEEPING LOVE GRASS	ERAGROSTIS CURVULA	1 GALLON	18" O.C.
		DWARF SHASTA DAISY	LEUCANTHEMUM X SUPERBUM	1 GALLON	24" O.C.
		LAVENDER COTTON	SANTOLINA CHAMAECYPARISSUS	1 GALLON	24" O.C.
		COMMON BERMUDA GRASS HYDROMULCH	CYNODON DACTYLON	SQUARE FEET	HYDROMULCH
		BEE HAPPY MIX	BY NATIVE AMERICAN SEED CO	SQUARE FEET	HYDROMULCH
		BLACK STAR CRUSHED GRANITE	3" DEPTH MINIMUM WITH DEWITT 4.1 OZ FILTER FABRIC BENEATH ROCK	SQUARE FEET	1/4" DIAMETER
		TEXAS RIVER ROCK; MIX OF TANS, BROWNS, GRAYS, AND PINKS	3" DEPTH MINIMUM WITH DEWITT 4.1 OZ FILTER FABRIC BENEATH ROCK	SQUARE FEET	EQUAL COMBINATION OF 1-2" AND 2-4"
		OKLAHOMA MOSS ROCK BOULDERS	BURY BOTTOM THIRD OF BOULDER IN LANDSCAPE BED.	50 LB - 250 LB	FIELD LOCATE ALL BOULDER MASSES

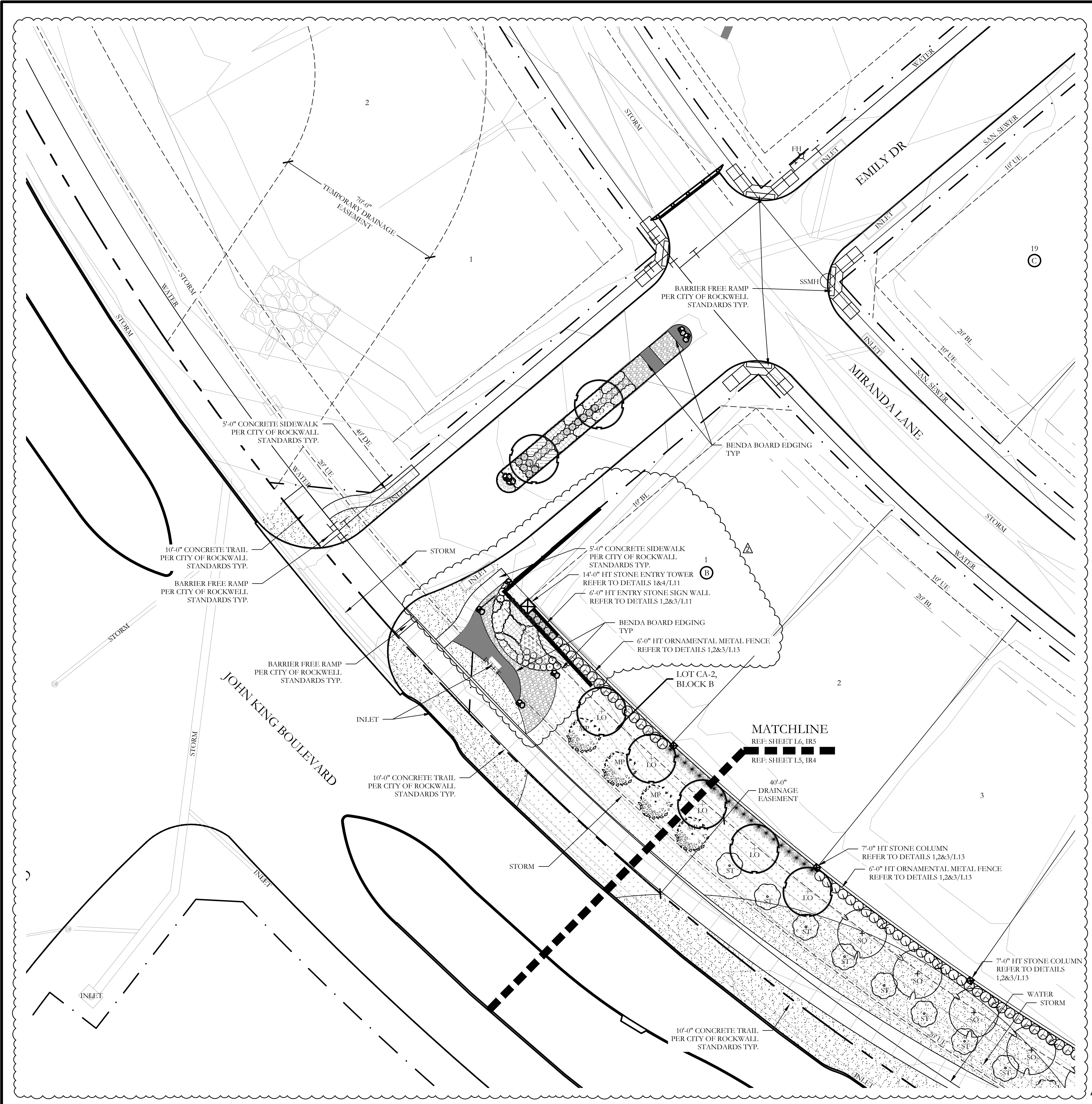
CODY JOHNSON
 s.t.u.d.i.o.
 9720 COTT ROAD SUITE 220-333 PLANO, TEXAS 75025
 PH. (972) 570-0162
 EMAIL: CODY@CODYJOHNSONSTUDIO.COM



Bar is one inch on original drawing. If not one inch on this sheet, adjust scale as necessary.
 One Inch

SCREENING AND BUFFERING
 LANDSCAPE PLAN
 Saddle Star Estates South - Phase 1
 City of Rockwall, Rockwall County, Texas

CJS PROJECT NO.
PAD001
 SHEET NO.
L5 of 12



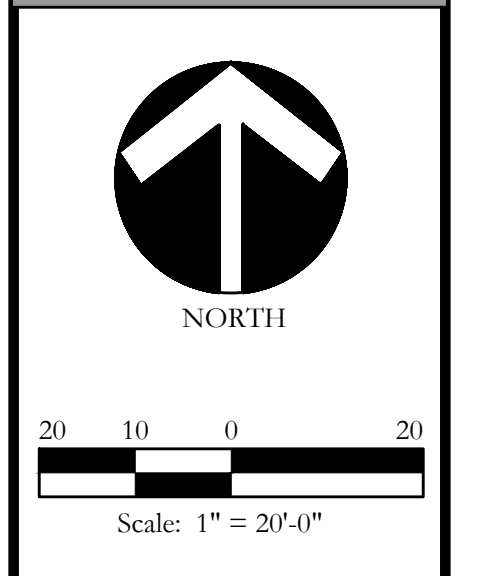
HARDSCAPE LEGEND

	6'-0" HT. ENTRY SIGN WALL REFER TO DETAILS 1,2,&3/L11.		6'-0" HT. ORNAMENTAL METAL FENCE. REFER TO DETAILS 1,2,&3/L13.
	14'-0" HT. STONE ENTRY TOWER REFER TO DETAILS 1&4/L11.		PEDESTRIAN REST AREA REFER TO DETAILS 1,2,&4/L12.
	7'-0" HT. STONE COLUMN. REFER TO DETAILS 1,3&4/L13.		

PLANT LEGEND

SYMBOL	KEY	COMMON NAME	SCIENTIFIC NAME	SIZE	SPACING
	LO	LIVE OAK	QUERCUS VIRGINIANA	4" CALIPER	AS SHOWN
	SO	SHUMARD OAK	QUERCUS SHUMARDII	4" CALIPER	AS SHOWN
	BO	BUR OAK	QUERCUS MACROCARPA	4" CALIPER	AS SHOWN
	CE	CEDAR ELM	ULMUS CRASSIFOLIA	4" CALIPER	AS SHOWN
	MP	MEXICAN PLUM	PRUNUS MEXICANA	2" CALIPER	AS SHOWN
	V	CHASTE TREE	VITEX AGNUS	2" CALIPER	AS SHOWN
	ST	SMOKE TREE	COTINUS COGGYGRIA	2" CALIPER	AS SHOWN
		TEXAS SAGE	LEUCOPHYLLUM FRUTESCENS	7 GALLON	48" O.C.
		EDWARD GOUCHER ABELLA	ABELLIA GRANDIFLORA 'EDWARD GOUCHIER'	7 GALLON	48" O.C.
		'DALLAS BLUES' SWITCHGRASS	PANICUM VIRGATUM 'DALLAS BLUES'	3 GALLON	36" O.C.
		INDIAN HAWTHORN 'SNOW'	RHAPHIOLEPS INDICA 'SNOW'	3 GALLON	36" O.C.
		'LITTLE SPIRE' RUSSIAN SAGE	PEROVSKIA 'LITTLE SPIRE'	3 GALLON	36" O.C.
		RED YUCCA	HESPERALOE PARVIFLORA	3 GALLON	36" O.C.
		QUEEN VICTORIA AGAVE	AGAVE VICTORIAE REGINAE	3 GALLON	36" O.C.
		UPRIGHT ROSEMARY	ROSMARINUS OFFICINALIS 'UPRIGHT'	3 GALLON	36" O.C.
		MAUVE WALLFLOWER	ERYSIMUM 'BOWLES MAUVE'	1 GALLON	24" O.C.
		'AUTUMN JOY' SEDUM	SEDUM 'AUTUMN JOY'	1 GALLON	24" O.C.
		PURPLELEAF WINTERCREEPER	FUONYMUS FORTUNE 'COLORATUS'	1 GALLON	12" O.C.
		TAM JUNIPER	JUNIPERUS SABINA 'TAMARISCHIFOLIA'	7 GALLON	36" O.C.
		WEEPING LOVE GRASS	ERAGROSTIS CURVULA	1 GALLON	18" O.C.
		DWARF SHASTA DAISY	LEUCANTHEMUM X SUPERBUM	1 GALLON	24" O.C.
		LAVENDER COTTON	SANTOLINA CHAMAECYPARISSUS	1 GALLON	24" O.C.
		COMMON BERMUDA GRASS HYDROMULCH	CYNODON DACTYLON	SQUARE FEET	HYDROMULCH
		BEE HAPPY MIX	BY NATIVE AMERICAN SEED CO	SQUARE FEET	HYDROMULCH
		BLACK STAR CRUSHED GRANITE	3" DEPTH MINIMUM WITH DEWITT 4.1 OZ FILTER FABRIC BENEATH ROCK	SQUARE FEET	1/4" DIAMETER
		TEXAS RIVER ROCK; MIX OF TANS, BROWNS, GRAYS, AND PINKS	3" DEPTH MINIMUM WITH DEWITT 4.1 OZ FILTER FABRIC BENEATH ROCK	SQUARE FEET	EQUAL COMBINATION OF 1-2" AND 2-4"
		OKLAHOMA MOSS ROCK BOULDERS	BURY BOTTOM THIRD OF BOULDER IN LANDSCAPE BED.	50 LB - 250 LB	FIELD LOCATE ALL BOULDER MASSES

CODY JOHNSON
 s.t.u.d.i.o.
 9720 COTT ROAD SUITE 220-333 PLANO, TEXAS 75025
 PH. (972) 570-0162
 EMAIL: CODY@CODYJOHNSONSTUDIO.COM

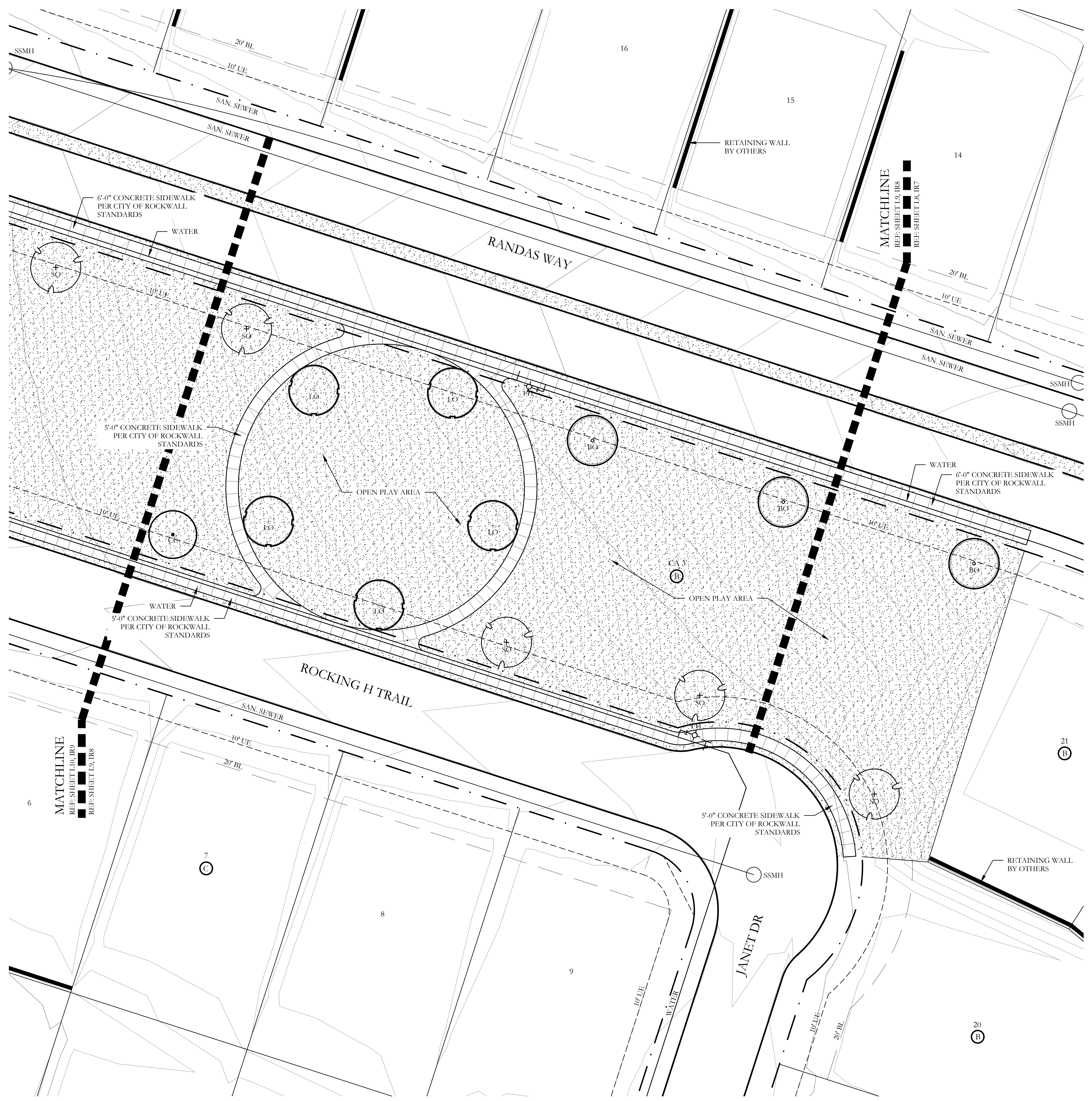


Bar is one inch on original drawing. If not one inch on this sheet, adjust scale as necessary.

One Inch

SCREENING AND BUFFERING
 LANDSCAPE PLAN
 Saddle Star Estates South - Phase 1
 City of Rockwall, Rockwall County, Texas

	Revised Concrete Trail 05/21/20
	Retaining wall revised.
CJS PROJECT NO. PAD001	
SHEET NO. L6 of 12	



HARDSCAPE LEGEND

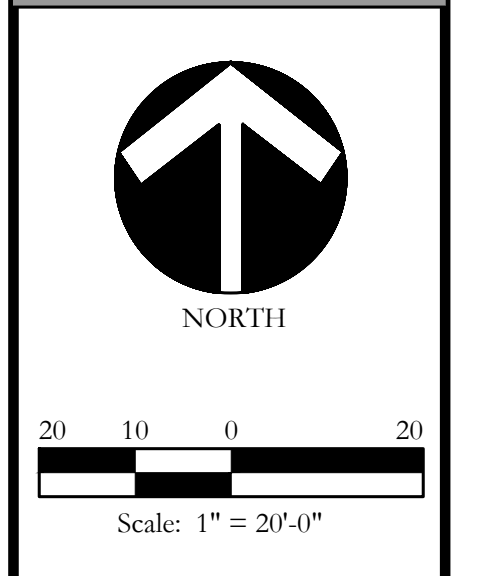
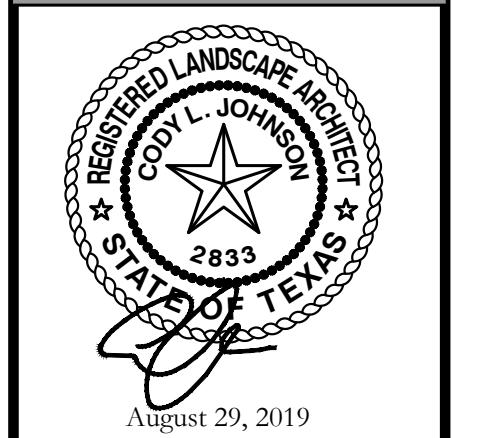
	6'-0" HT. ENTRY SIGN WALL REFER TO DETAILS 1,2,&3/L11.		6'-0" HT. ORNAMENTAL METAL FENCE REFER TO DETAILS 1,2,&3/L13.
	14'-0" HT. STONE ENTRY TOWER REFER TO DETAILS 1&4/L11.		PEDESTRIAN REST AREA REFER TO DETAILS 1,2,&4/L12.
	7'-0" HT. STONE COLUMN. REFER TO DETAILS 1,3&4/L13.		

PLANT LEGEND

SYMBOL	KEY	COMMON NAME	SCIENTIFIC NAME	SIZE	SPACING
	LO	LIVE OAK	QUERCUS VIRGINIANA	4" CALIPER	AS SHOWN
	SO	SHUMARD OAK	QUERCUS SHUMARDII	4" CALIPER	AS SHOWN
	BO	BUR OAK	QUERCUS MACROCARPA	4" CALIPER	AS SHOWN
	CE	CEDAR ELM	ULMUS CRASSIFOLIA	4" CALIPER	AS SHOWN
	MP	MEXICAN PLUM	PRUNUS MEXICANA	2" CALIPER	AS SHOWN
	V	CHASTE TREE	VITEX AGNUS	2" CALIPER	AS SHOWN
	ST	SMOKE TREE	COTINUS COGGYGRIA	2" CALIPER	AS SHOWN
		TEXAS SAGE	LEUCOPHYLLUM FRUTESCENS	7 GALLON	48" O.C.
		EDWARD GOUCHER ABELIA	ABELIA GRANDIFLORA 'EDWARD GOUCHER'	7 GALLON	48" O.C.
		'DALLAS BLUES' SWITCHGRASS	PANICUM VIRGATUM 'DALLAS BLUES'	3 GAL.	36" O.C.
		INDIAN HAWTHORN 'SNOW'	RHAPHIOLEPIS INDICA 'SNOW'	3 GALLON	36" O.C.
		'LITTLE SPIRE' RUSSIAN SAGE	PEROVSKIA 'LITTLE SPIRE'	3 GAL.	36" O.C.
		RED YUCCA	HESPERALOE PARVIFLORA	3 GALLON	36" O.C.
		QUEEN VICTORIA AGAVE	AGAVE VICTORIAE REGINAE	3 GAL.	36" O.C.
		UPRIGHT ROSEMARY	ROSMARINUS OFFICINALIS 'UPRIGHT'	3 GALLON	36" O.C.
		MAUVE WALLFLOWER	ERYSIMUM 'BOWLES MAUVE'	1 GAL.	24" O.C.
		'AUTUMN JOY' SEDUM	SEDUM 'AUTUMN JOY'	1 GAL.	24" O.C.
		PURPLELEAF WINTERCREPER	FUONYMUS FORTUNE 'COLORATUS'	1 GALLON	12" O.C.
		TAM JUNIPER	JUNIPERUS SABINA 'TAMARISCIFOLIA'	7 GALLON	36" O.C.
		WEeping LOVE GRASS	ERAGROSTIS CURVULA	1 GALLON	18" O.C.
		DWARF SHASTA DAISY	LEUCANTHEMUM X SUPERBUM	1 GALLON	24" O.C.
		LAVENDER COTTON	SANTOLINA CHAMAECYPARISSUS	1 GALLON	24" O.C.
		COMMON BERMUDA GRASS HYDROMULCH	CYNODON DACTYLON	SQUARE FEET	HYDROMULCH
		BEE HAPPY MIX	BY NATIVE AMERICAN SEED CO	SQUARE FEET	HYDROMULCH
		BLACK STAR CRUSHED GRANITE	3" DEPTH MINIMUM WITH DEWITT 4.1 OZ FILTER FABRIC BENEATH ROCK	SQUARE FEET	1/4" DIAMETER
		TEXAS RIVER ROCK; MIX OF TANS, BROWNS, GRAYS, AND PINKS	3" DEPTH MINIMUM WITH DEWITT 4.1 OZ FILTER FABRIC BENEATH ROCK	SQUARE FEET	EQUAL COMBINATION OF 1-2" AND 2-4"
		OKLAHOMA MOSS ROCK BOULDERS	BURY BOTTOM THIRD OF BOULDER IN LANDSCAPE BED.	50 LB - 250 LB	FIELD LOCATE ALL BOULDER MASSES

CODY JOHNSON
s.t.u.d.i.o

9720 COTT ROAD SUITE 220-333 PLANO, TEXAS 75025
PH. (972) 570-0162
EMAIL: CODY@CODYJOHNSONSTUDIO.COM



Bar is one inch on original drawing. If not one inch on this sheet, adjust scale as necessary.

One Inch

SCREENING AND BUFFERING
LANDSCAPE PLAN
Saddle Star Estates South - Phase 1
City of Rockwall, Rockwall County, Texas

CJS PROJECT NO.
PAD001

SHEET NO.
L9 of 12



HARDSCAPE LEGEND

	6'-0" HT. ENTRY SIGN WALL REFER TO DETAILS 1,2,&3/L11.		6'-0" HT. ORNAMENTAL METAL FENCE REFER TO DETAILS 1,2&3/L13.
	14'-0" HT. STONE ENTRY TOWER REFER TO DETAILS 1&4/L11.		PEDESTRIAN REST AREA REFER TO DETAILS 1,2,3&4/L12.
	7'-0" HT. STONE COLUMN. REFER TO DETAILS 1,3&4/L13.		

PLANT LEGEND

SYMBOL	KEY	COMMON NAME	SCIENTIFIC NAME	SIZE	SPACING
	LO	LIVE OAK	QUERCUS VIRGINIANA	4" CALIPER	AS SHOWN
	SO	SHUMARD OAK	QUERCUS SHUMARDII	4" CALIPER	AS SHOWN
	BO	BUR OAK	QUERCUS MACROCARPA	4" CALIPER	AS SHOWN
	CE	CEDAR ELM	ULMUS CRASSIFOLIA	4" CALIPER	AS SHOWN
	MP	MEXICAN PLUM	PRUNUS MEXICANA	2" CALIPER	AS SHOWN
	V	CHASTE TREE	VITEX AGNUS	2" CALIPER	AS SHOWN
	ST	SMOKE TREE	COTINUS COGGYGRIA	2" CALIPER	AS SHOWN
		TEXAS SAGE	LEUCOPHYLLUM FRUTESCENS	7 GALLON	48" O.C.
		EDWARD GOUCHER ABELIA	ABELIA GRANDIFLORA 'EDWARD GOUCHER'	7 GALLON	48" O.C.
		'DALLAS BLUES' SWITCHGRASS	PANICUM VIRGATUM 'DALLAS BLUES'	3 GAL.	36" O.C.
		INDIAN HAWTHORN 'SNOW'	RHAPHIOLEPIS INDICA 'SNOW'	3 GALLON	36" O.C.
		'LITTLE SPIRE' RUSSIAN SAGE	PEROVSKIA 'LITTLE SPIRE'	3 GAL.	36" O.C.
		RED YUCCA	HESPERALOE PARVIFLORA	3 GALLON	36" O.C.
		QUEEN VICTORIA AGAVE	AGAVE VICTORIAE REGINAE	3 GAL.	36" O.C.
		UPRIGHT ROSEMARY	ROSMARINUS OFFICINALIS 'UPRIGHT'	3 GALLON	36" O.C.
		MAUVE WALLFLOWER	ERYSIMUM 'BOWLES MAUVE'	1 GAL.	24" O.C.
		'AUTUMN JOY' SEDUM	SEDUM 'AUTUMN JOY'	1 GAL.	24" O.C.
		PURPLELEAF WINTERCREEPER	FUONYMUS FORTUNE 'COLORATUS'	1 GALLON	12" O.C.
		TAM JUNIPER	JUNIPERUS SABINA 'TAMARISCHFOLIA'	7 GALLON	36" O.C.
		WEEPING LOVE GRASS	ERAGROSTIS CURVULA	1 GALLON	18" O.C.
		DWARF SHASTA DAISY	LEUCANTHEMUM X SUPERBUM	1 GALLON	24" O.C.
		LAVENDER COTTON	SANTOLINA CHAMAECYPARISSUS	1 GALLON	24" O.C.
		COMMON BERMUDA GRASS HYDROMULCH	CYNODON DACTYLON	SQUARE FEET	HYDROMULCH
		BEE HAPPY MIX	BY NATIVE AMERICAN SEED CO	SQUARE FEET	HYDROMULCH
		BLACK STAR CRUSHED GRANITE	3" DEPTH MINIMUM WITH DEWITT 4.1 OZ FILTER FABRIC BENEATH ROCK	SQUARE FEET	1/4" DIAMETER
		TEXAS RIVER ROCK; MIX OF TANS, BROWNS, GRAYS, AND PINKS	3" DEPTH MINIMUM WITH DEWITT 4.1 OZ FILTER FABRIC BENEATH ROCK	SQUARE FEET	EQUAL COMBINATION OF 1-2" AND 2-4"
		OKLAHOMA MOSS ROCK BOULDERS	BURY BOTTOM THIRD OF BOULDER IN LANDSCAPE BED.	50 LB - 250 LB	FIELD LOCATE ALL BOULDER MASSES

CODY JOHNSON
s.t.u.d.i.o

REGISTERED LANDSCAPE ARCHITECT
CODY L. JOHNSON
2833
STATE OF TEXAS
August 29, 2019

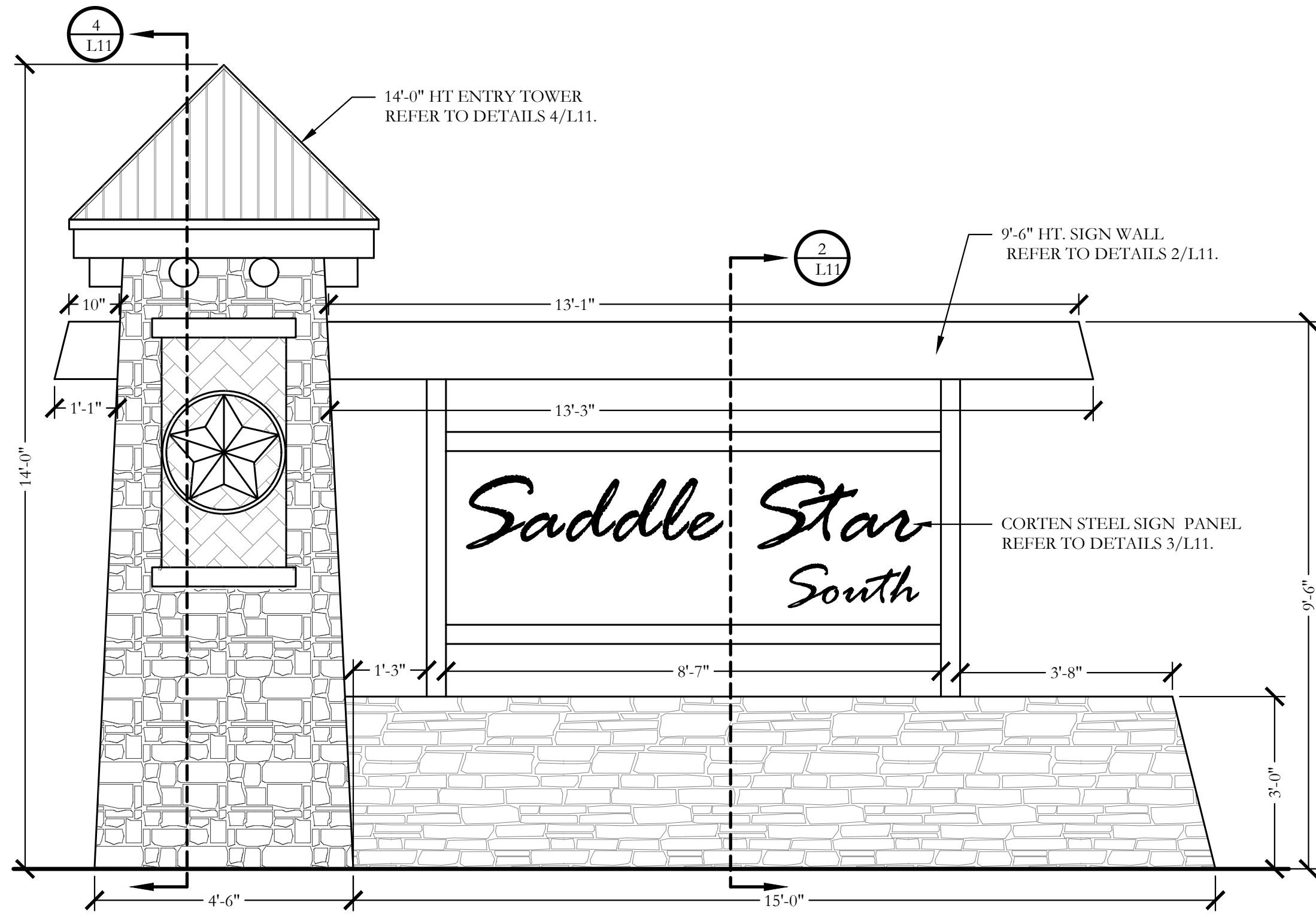
Scale: 1" = 20'-0"

Bar is one inch on original drawing. If not one inch on this sheet, adjust scale as necessary.
One Inch

SCREENING AND BUFFERING
LANDSCAPE PLAN
Saddle Star Estates South - Phase 1
City of Rockwall, Rockwall County, Texas

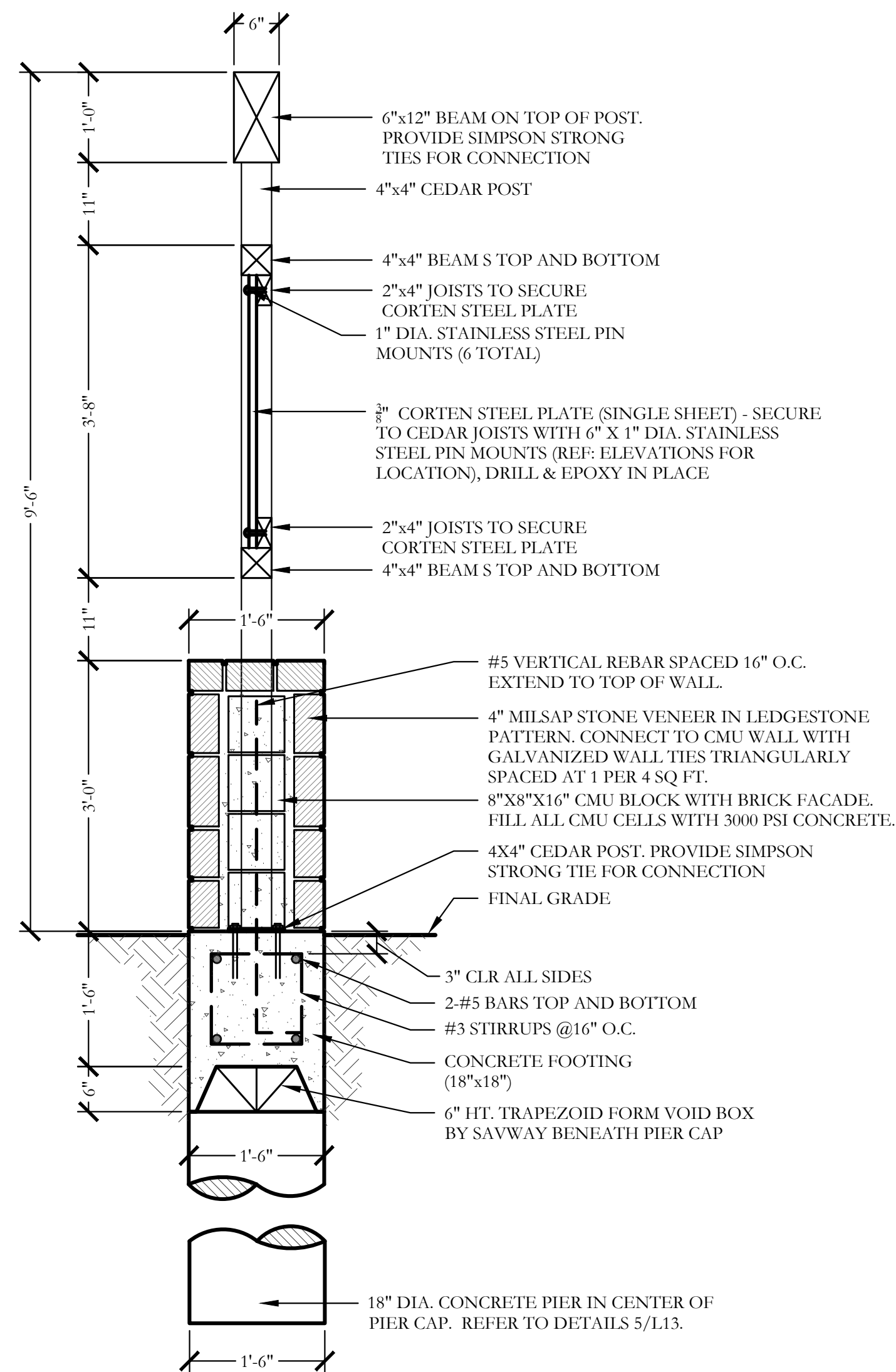
CJS PROJECT NO.
PAD001

SHEET NO.
L10 of 12



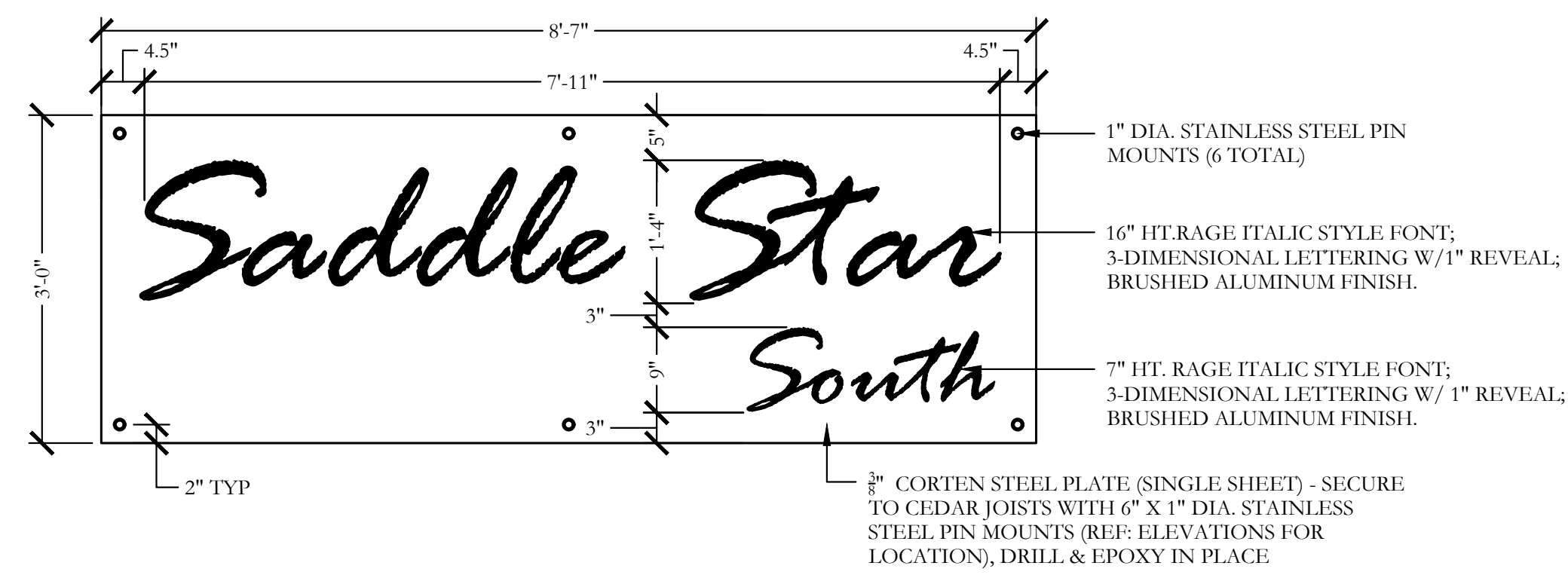
1 ENTRY SIGN MONUMENT
ELEVATION

SCALE: 1/2" = 1'-0"



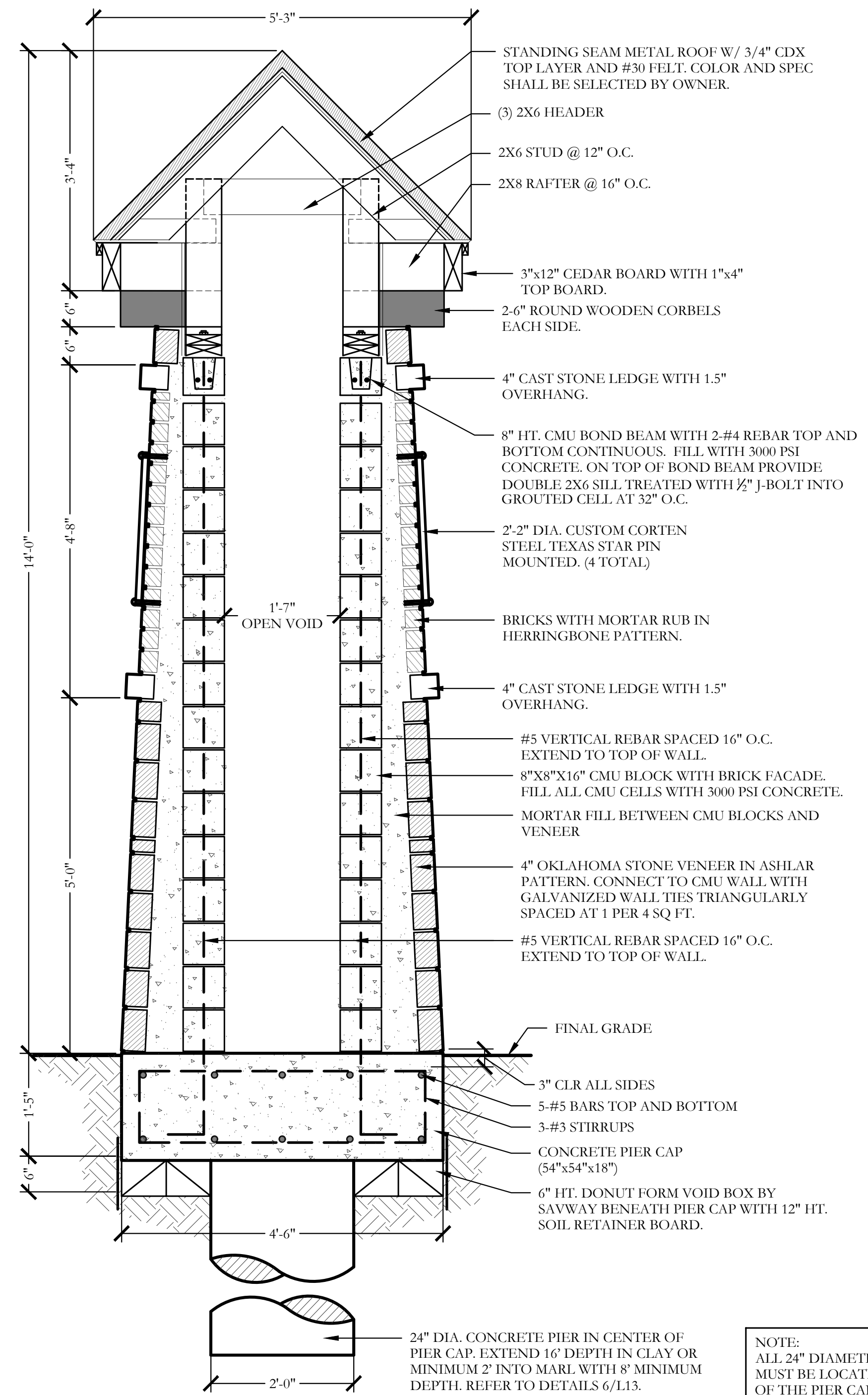
2 9'-6" HT. SIGN WALL
ELEVATION

SCALE: 3/4" = 1'-0"



3 CORTEN STEEL SIGN PANEL
ELEVATION

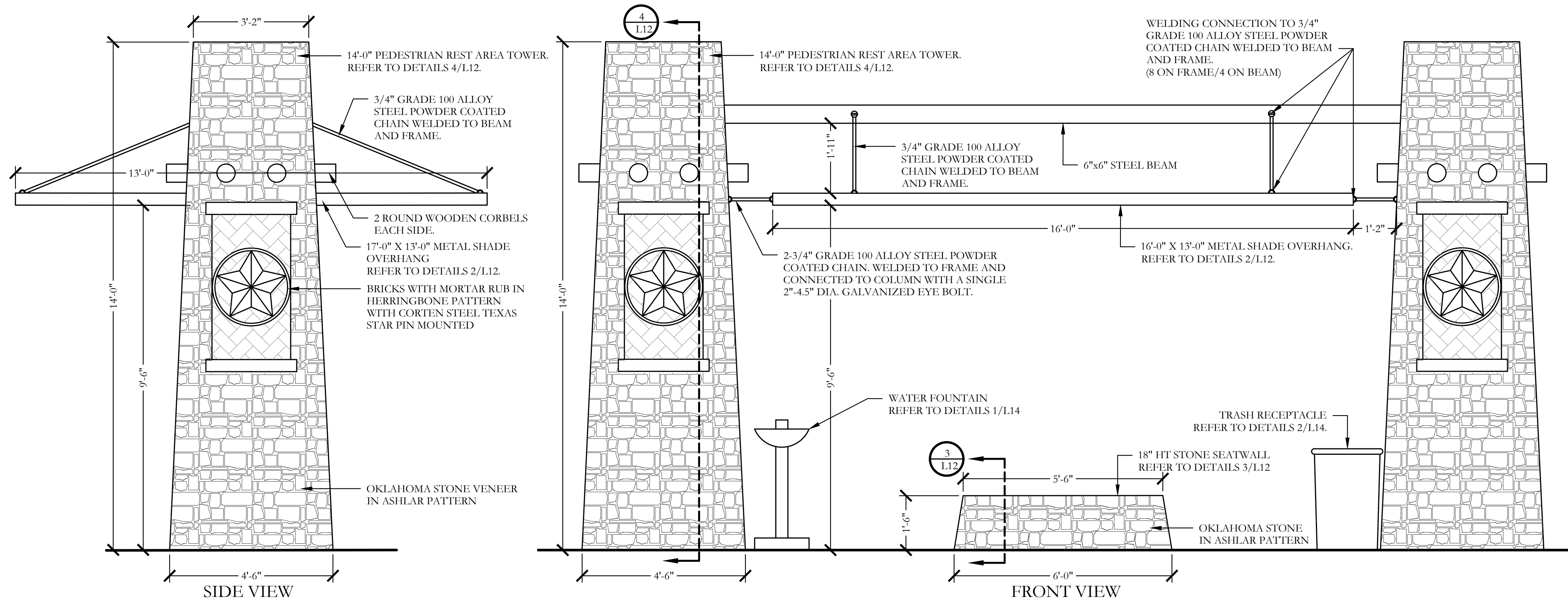
SCALE: 3/4" = 1'-0"



4 14'-0" HT. STONE ENTRY TOWER
SECTION

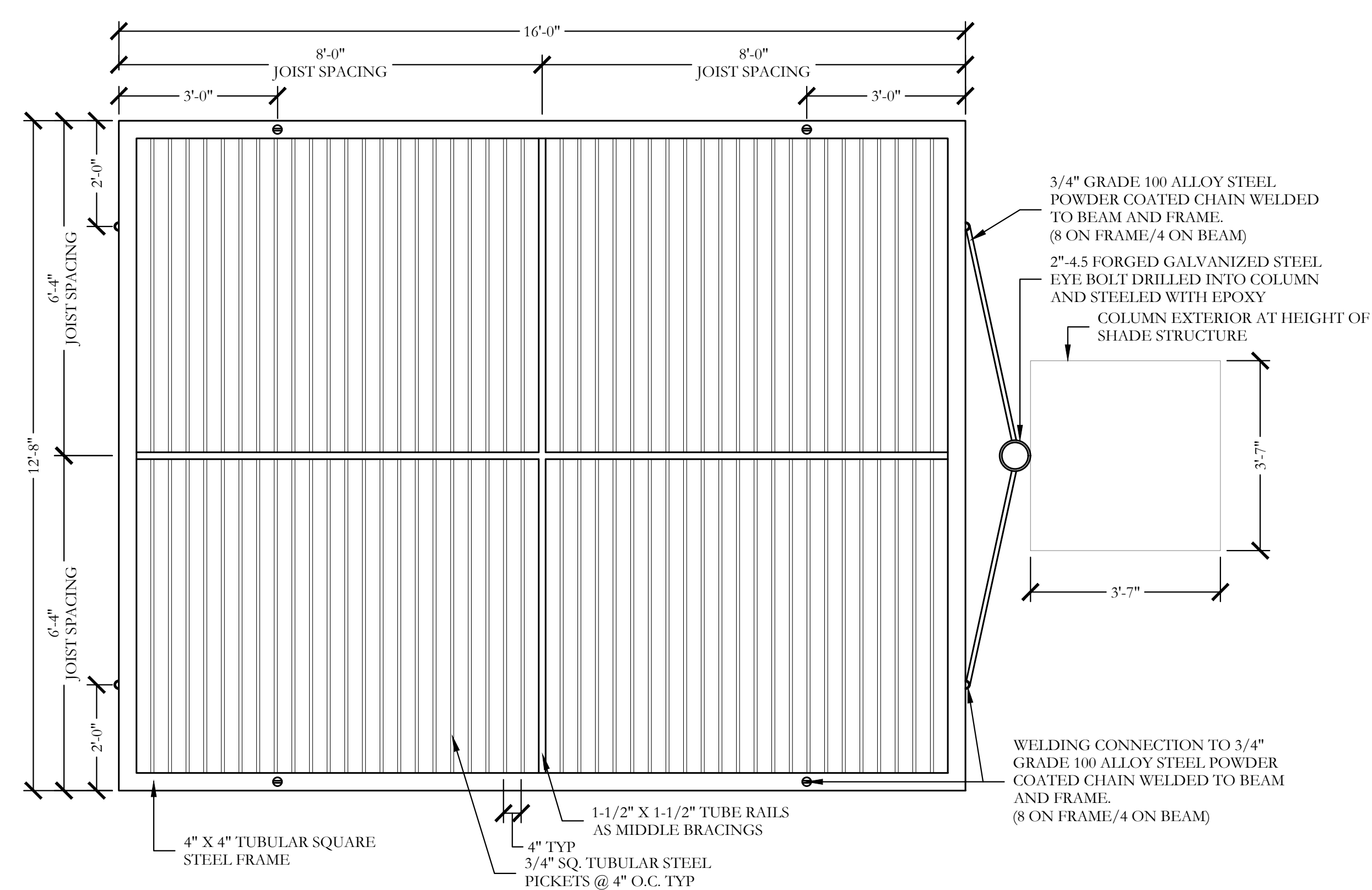
NOTE: ALL 24" DIAMETER CONCRETE PIERS MUST BE LOCATED IN THE CENTER OF THE PIER CAP.

SCALE: 3/4" = 1'-0"



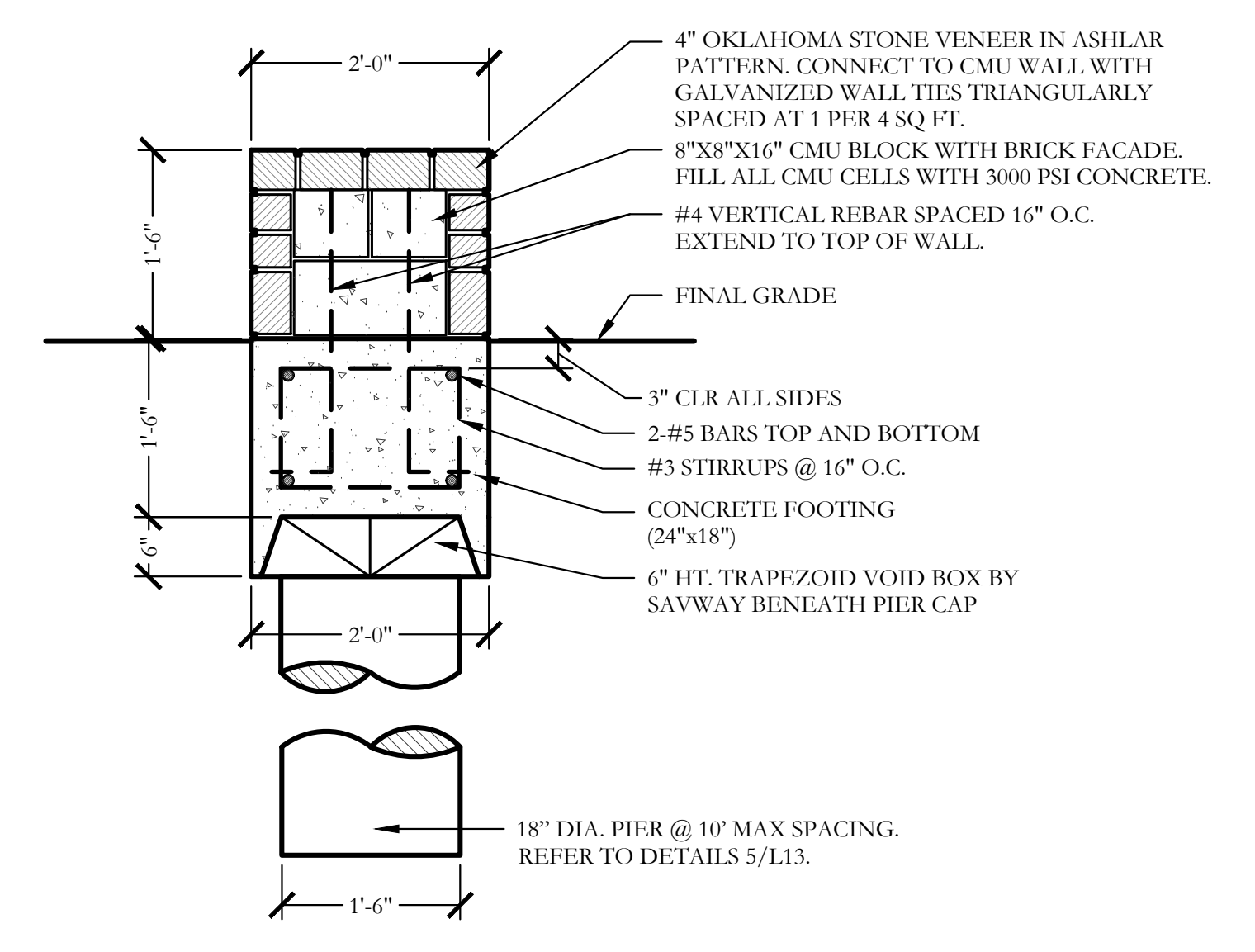
1 PEDESTRIAN REST AREA ELEVATION

SCALE: 1/2" = 1'-0"



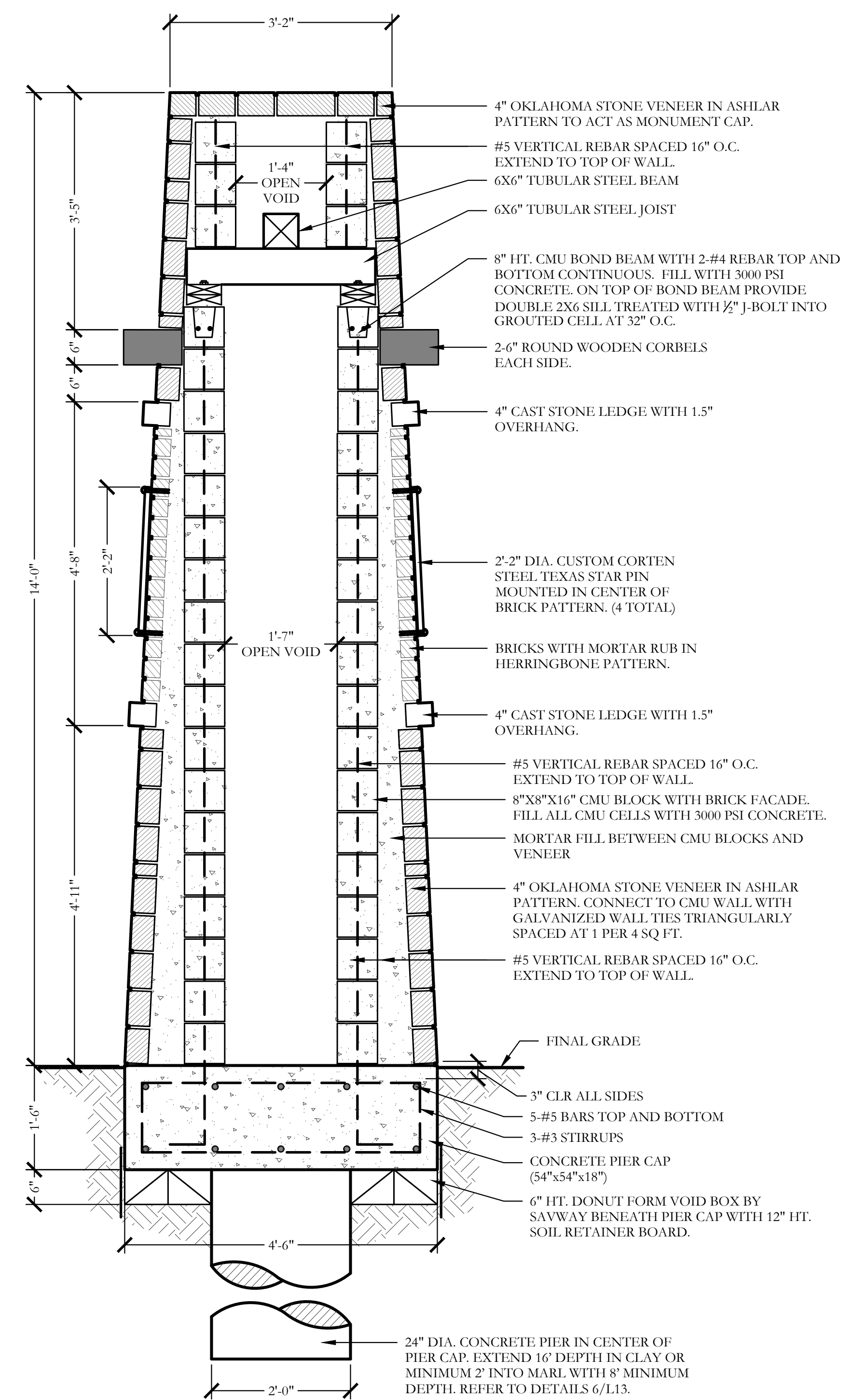
2 16'-0" X 13'-0" METAL SHADE OVERHANG SECTION

SCALE: 3/4" = 1'-0"



3 18" HT. STONE SEATWALL SECTION

SCALE: 3/4" = 1'-0"



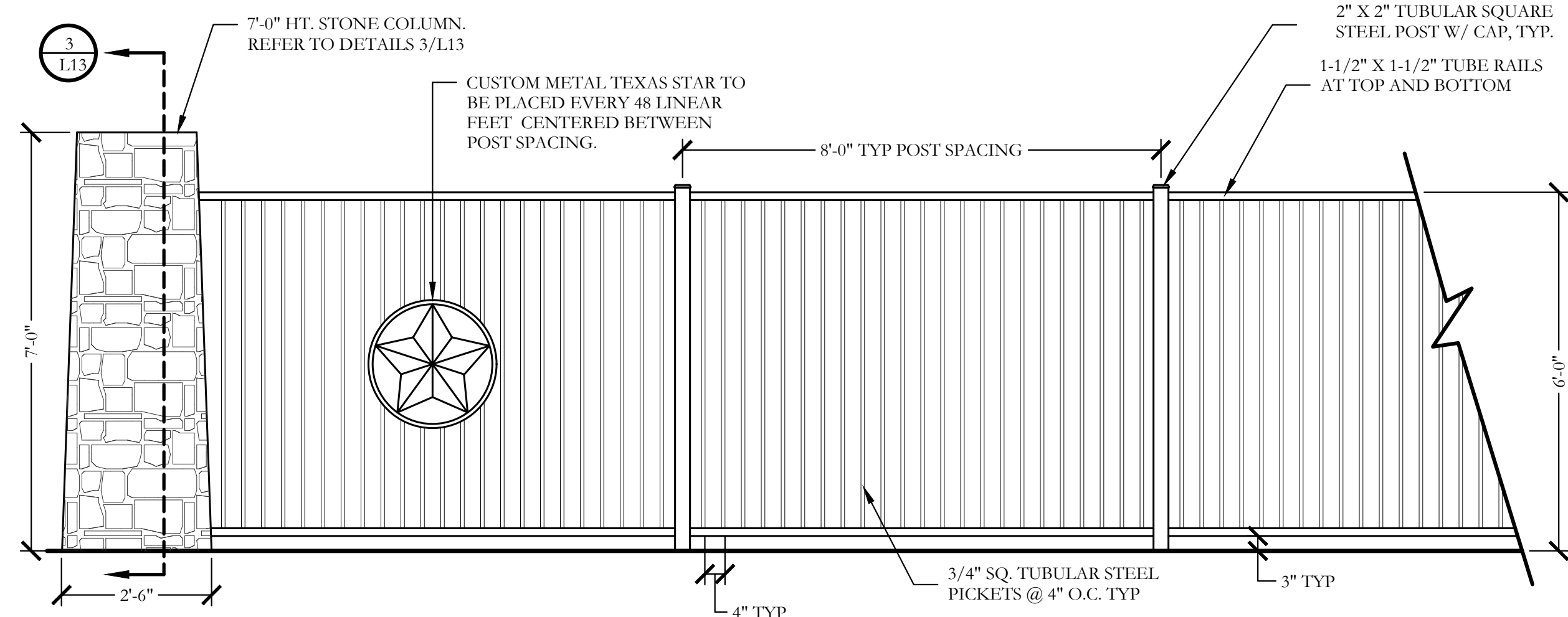
4 14'-0" HT. PEDESTRIAN REST AREA TOWER SECTION

SCALE: 3/4" = 1'-0"

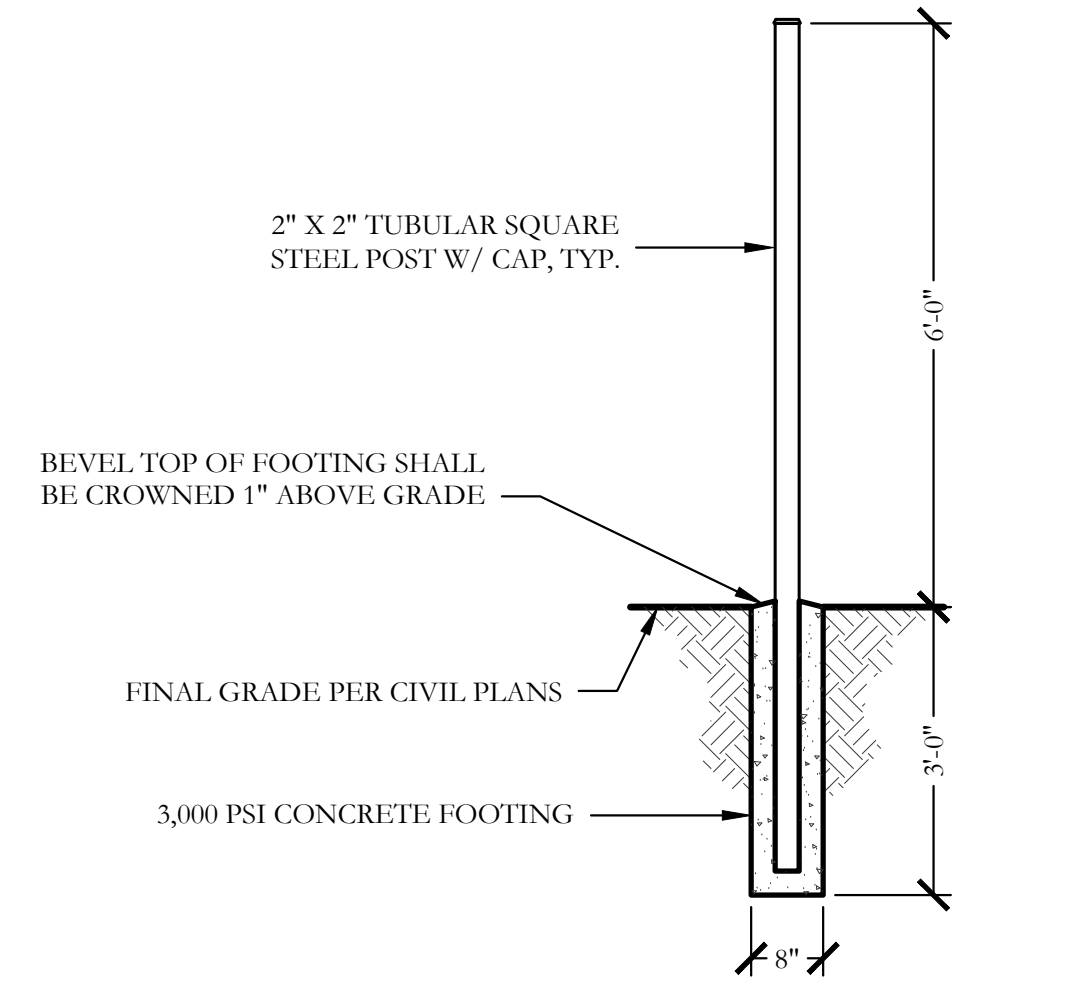
NOTE: ALL 24" DIAMETER CONCRETE PIERS MUST BE LOCATED IN THE CENTER OF THE PIER CAP.

Bar is one inch on original drawing. If not one inch on this sheet, adjust scale as necessary.

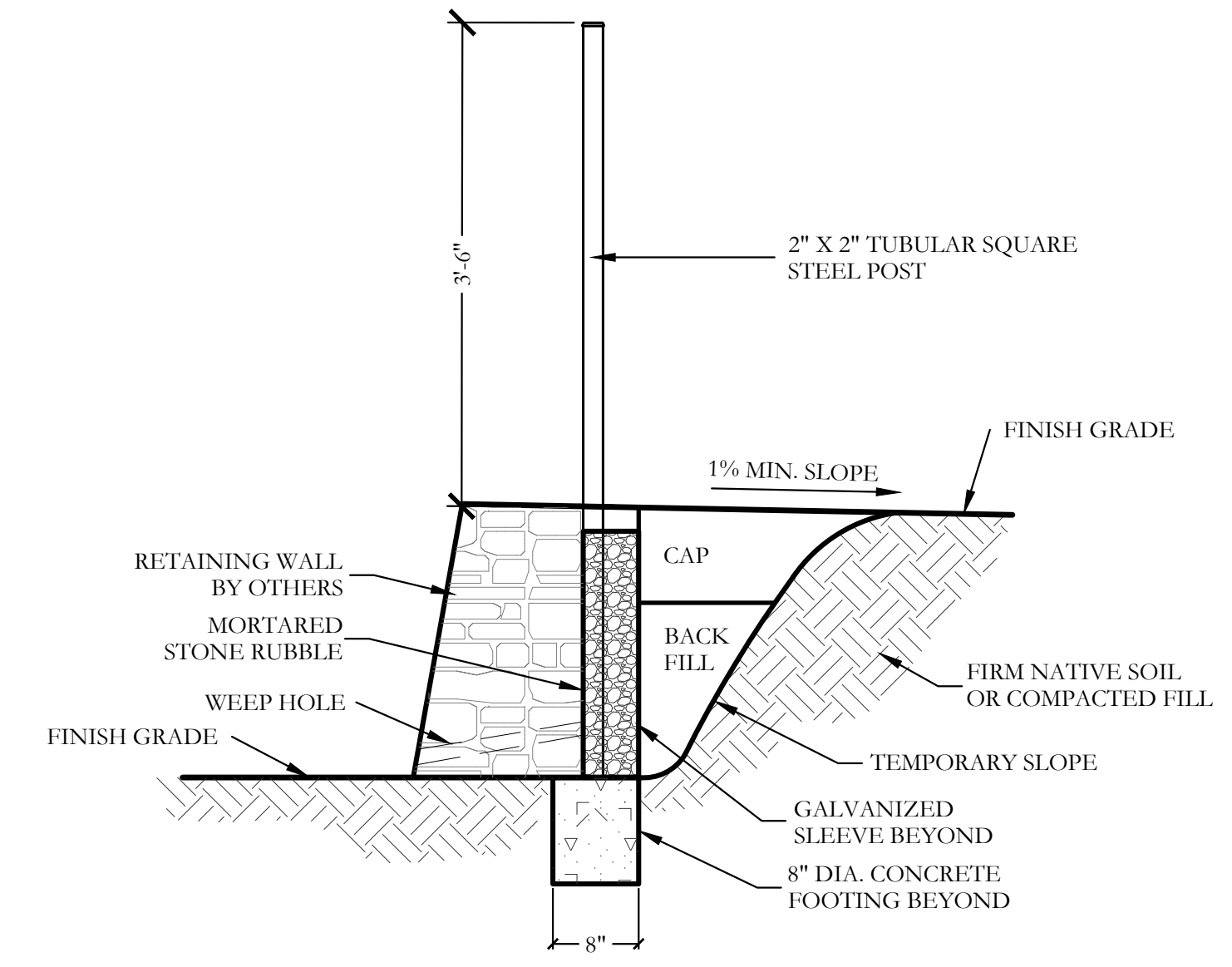
One Inch



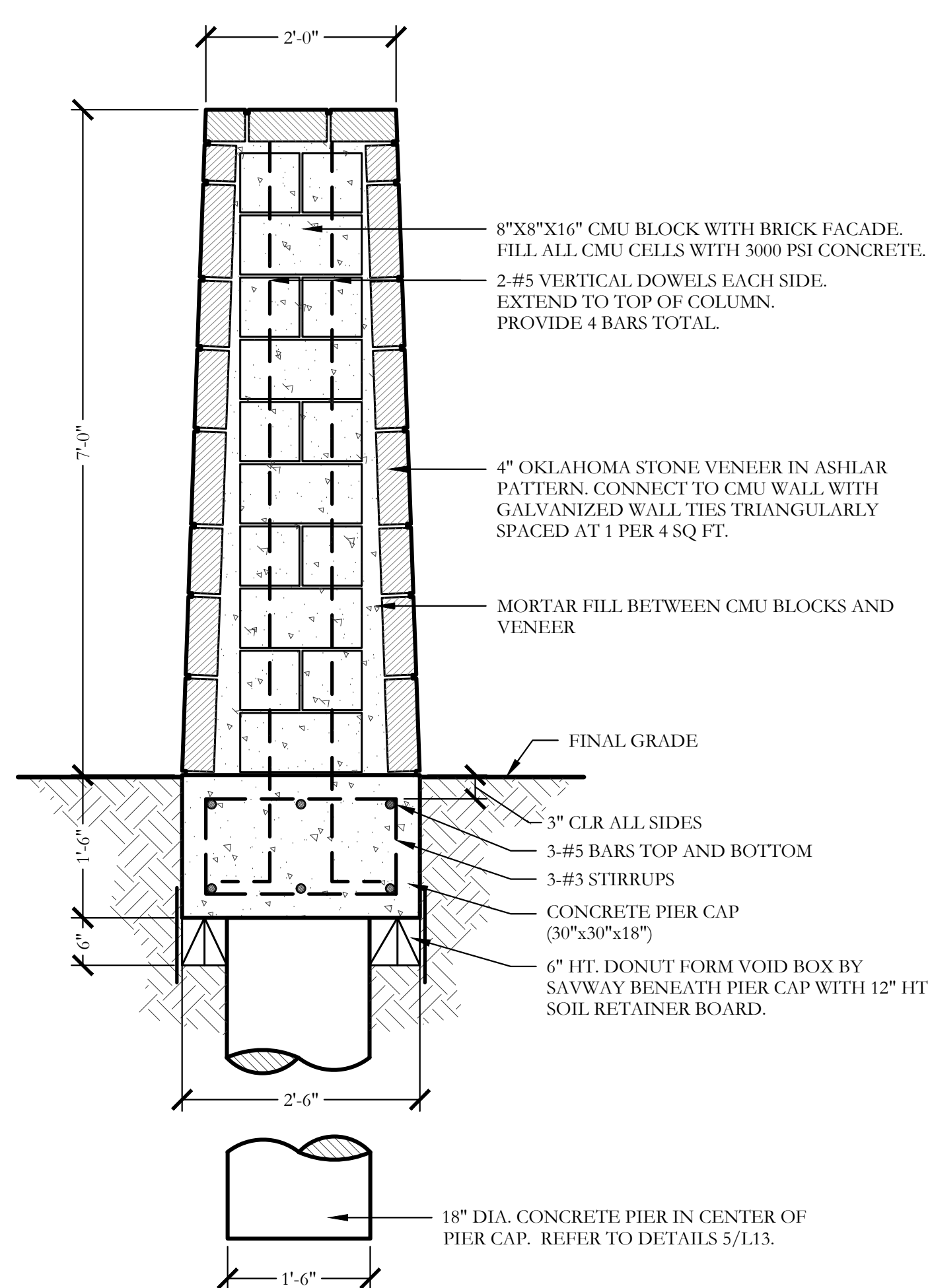
1 7'-0" STONE COLUMN AND 6'-0" ORNAMENTAL METAL FENCE ELEVATION SCALE: 1/2" = 1'-0"



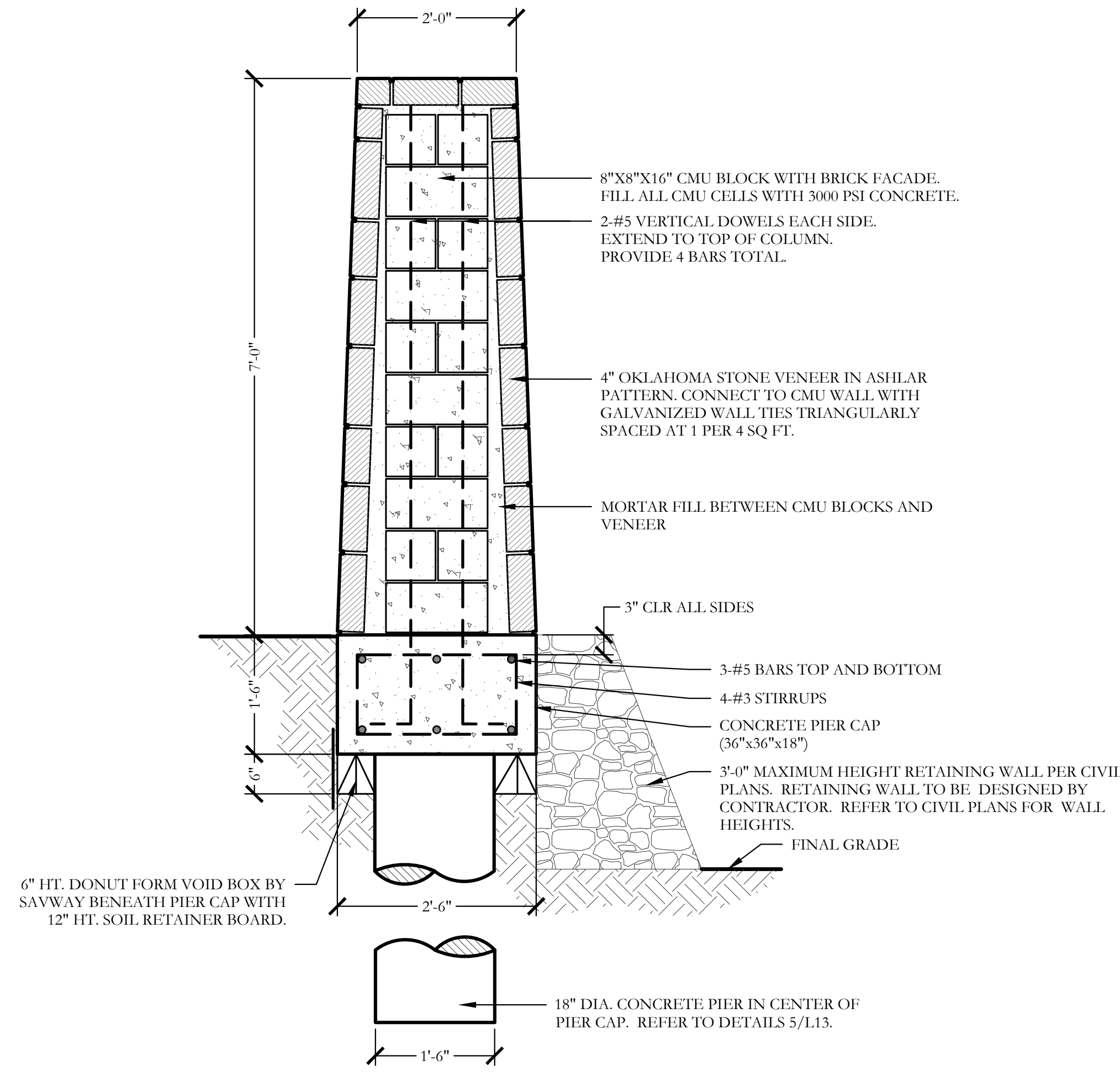
2 TYPICAL METAL POST FOOTING SECTION SCALE: 1/2" = 1'-0"



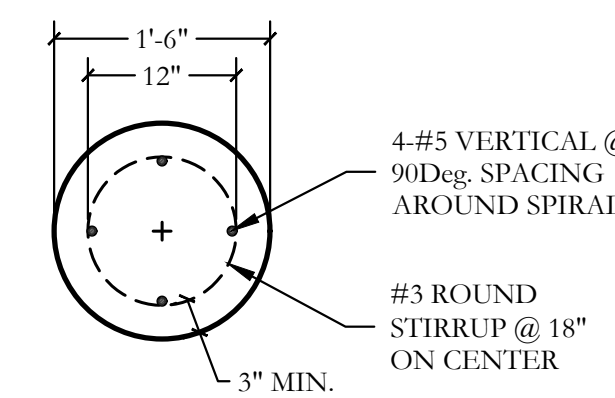
3 POST FOOTING ATOP RETAINING WALL SECTION SCALE: 3/4" = 1'-0"



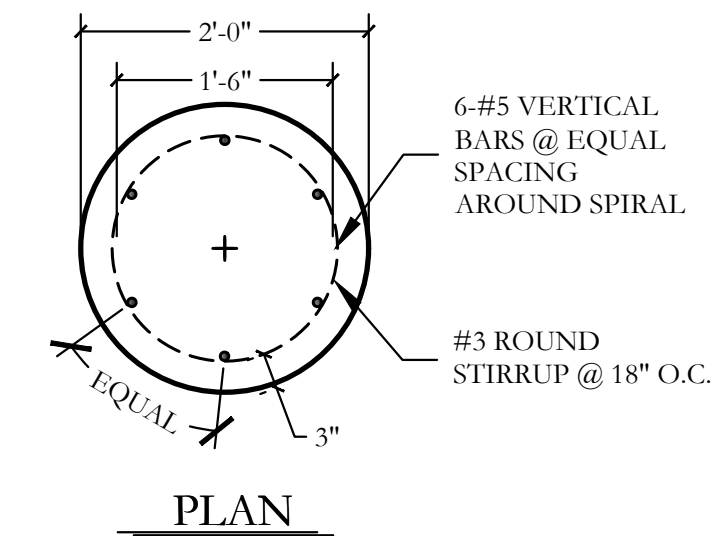
3 7'-0" HT. STONE COLUMN SECTION SCALE: 3/4" = 1'-0"



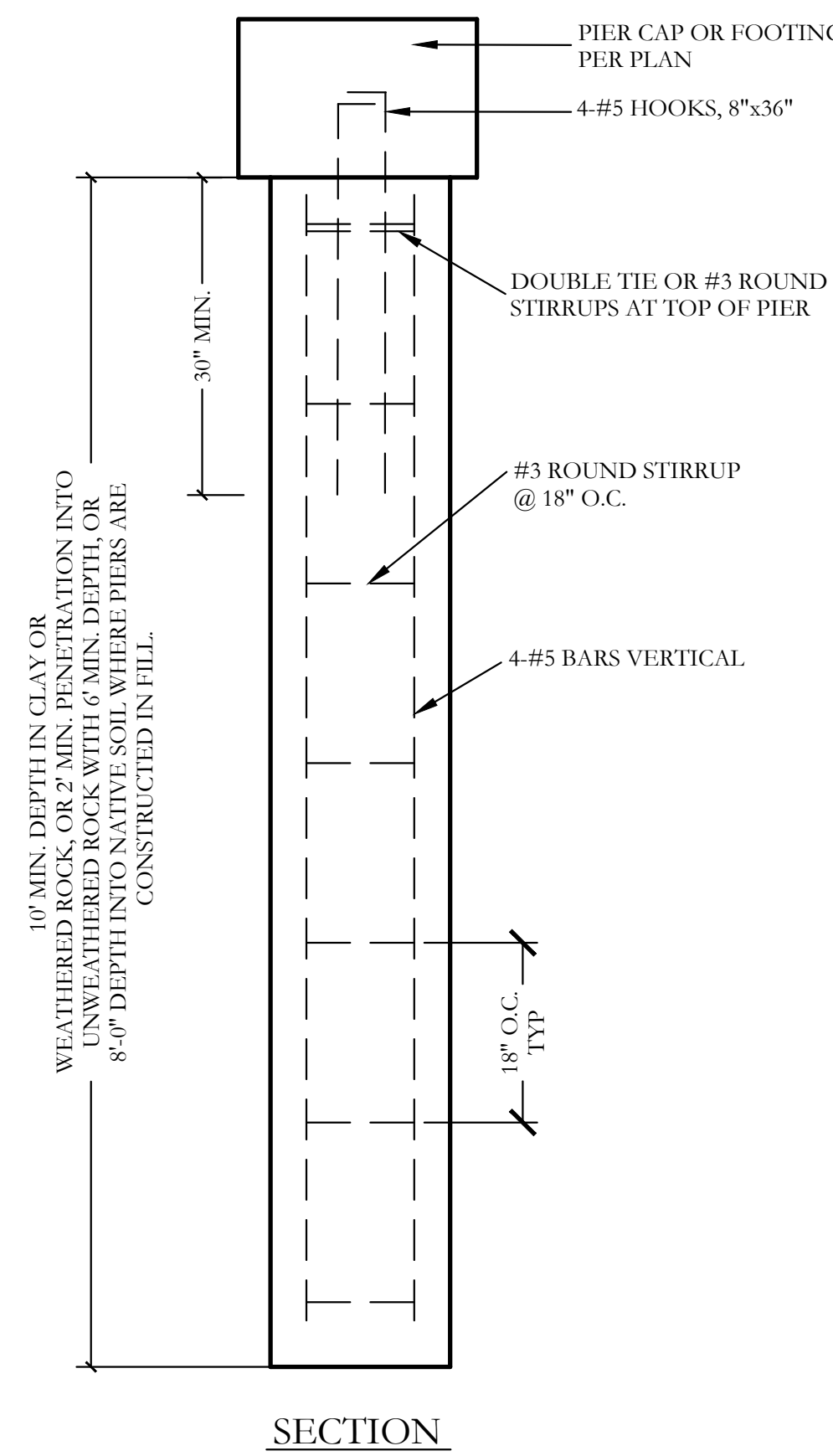
4 7'-0" HT. STONE COLUMN ATOP RETAINING WALL SECTION SCALE: 3/4" = 1'-0"



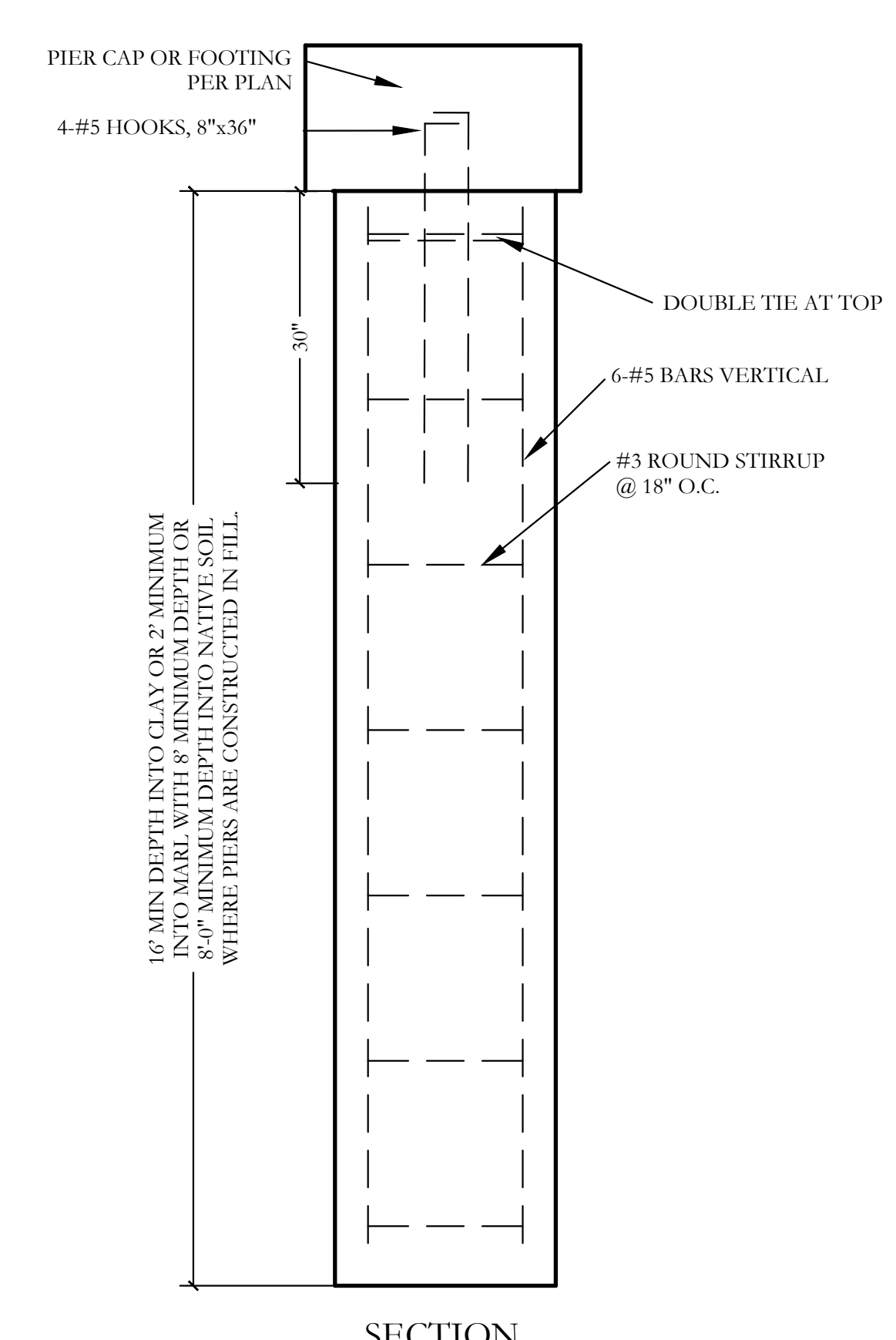
PLAN/SECTION



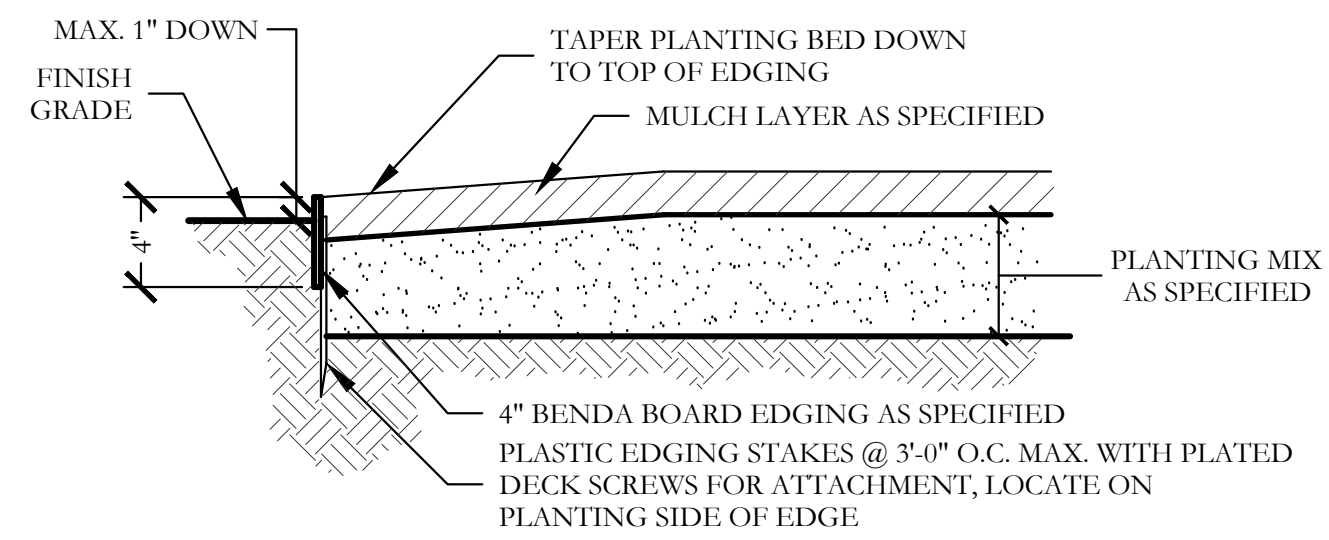
PLAN



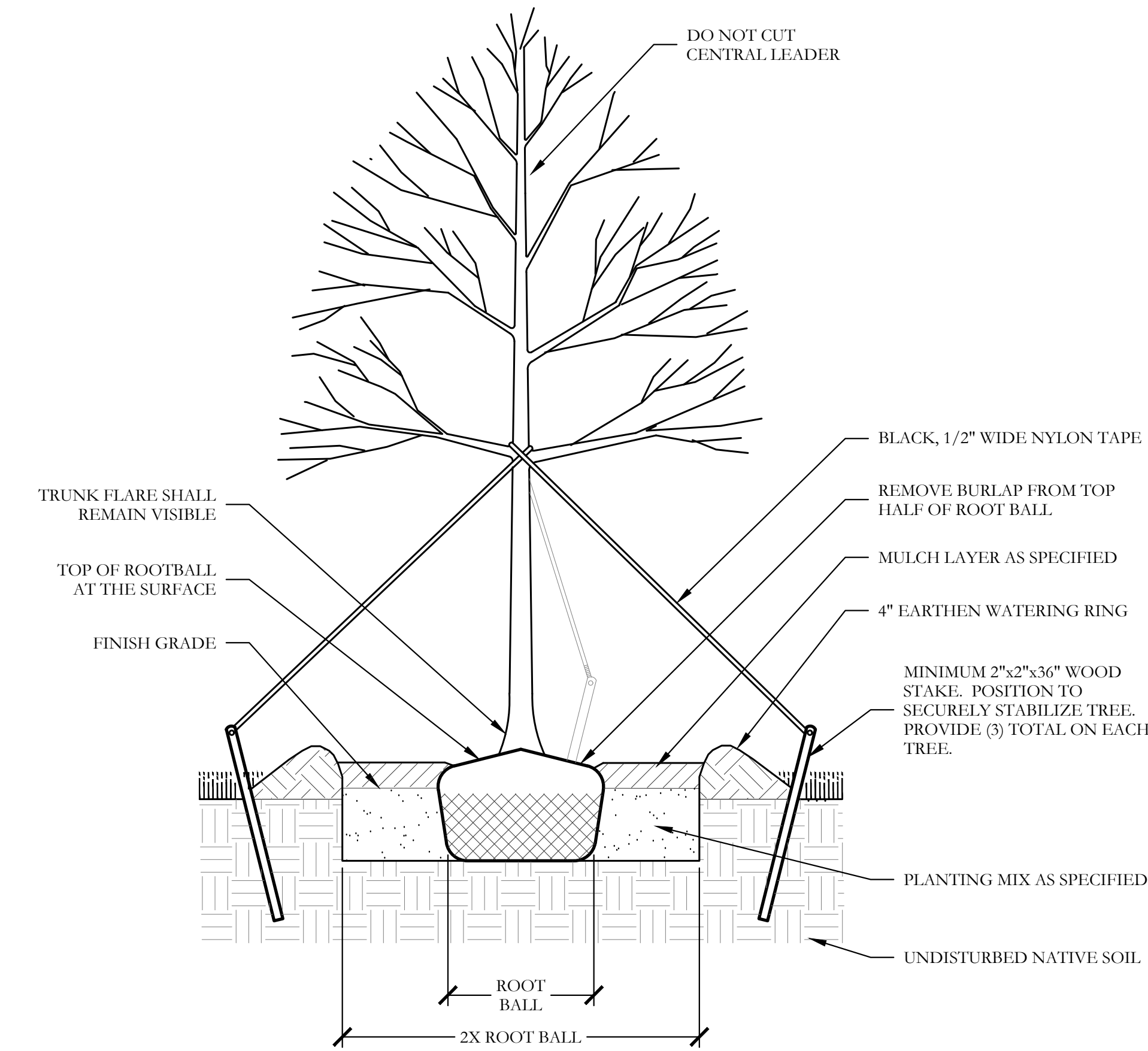
5 PIER (18" DIA.) SECTION SCALE: 3/4" = 1'-0"



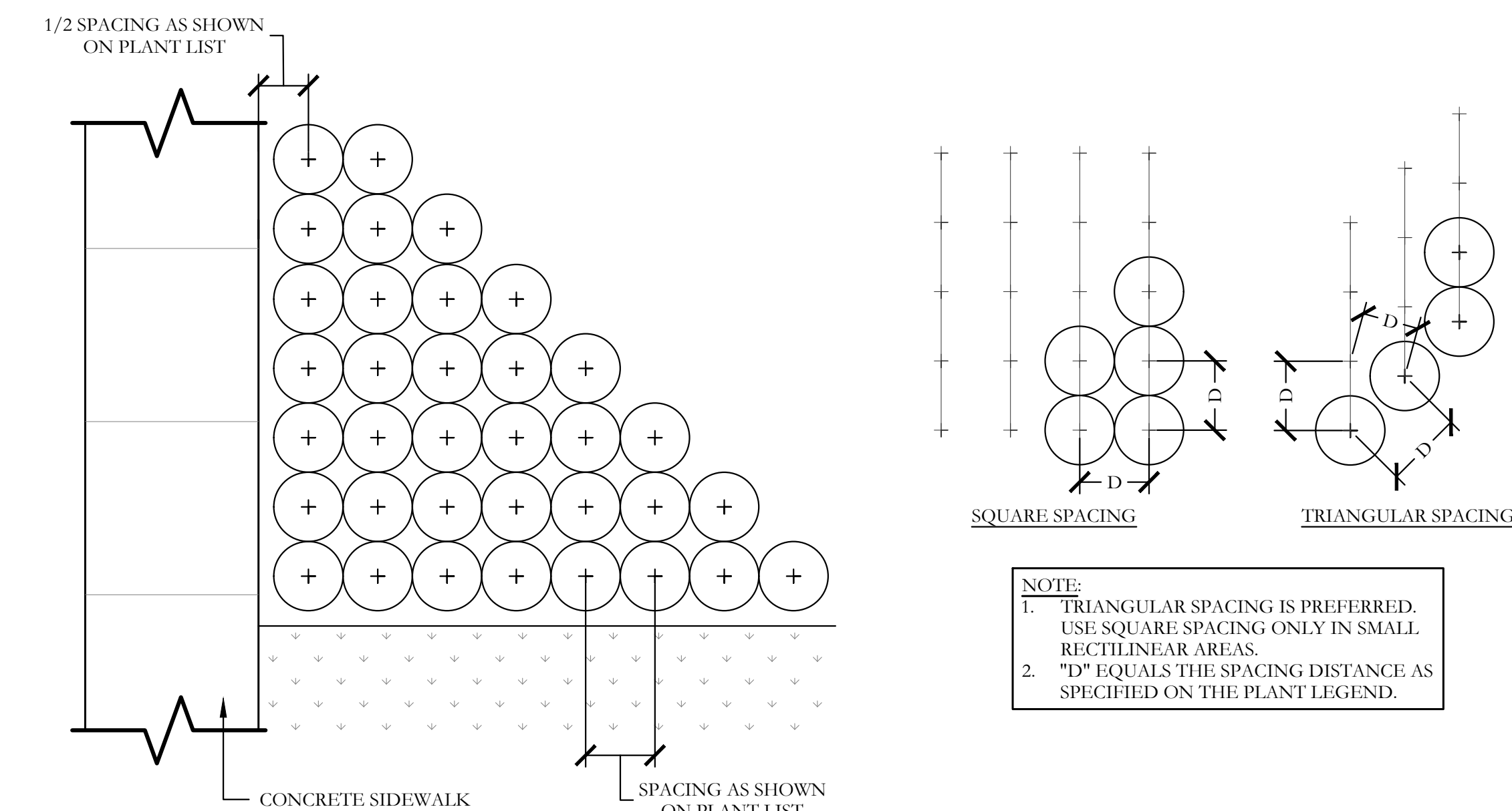
6 PIER (24" DIA.) SECTION SCALE: 3/4" = 1'-0"



1 TYPICAL BED EDGING DETAILS SECTION NOT TO SCALE

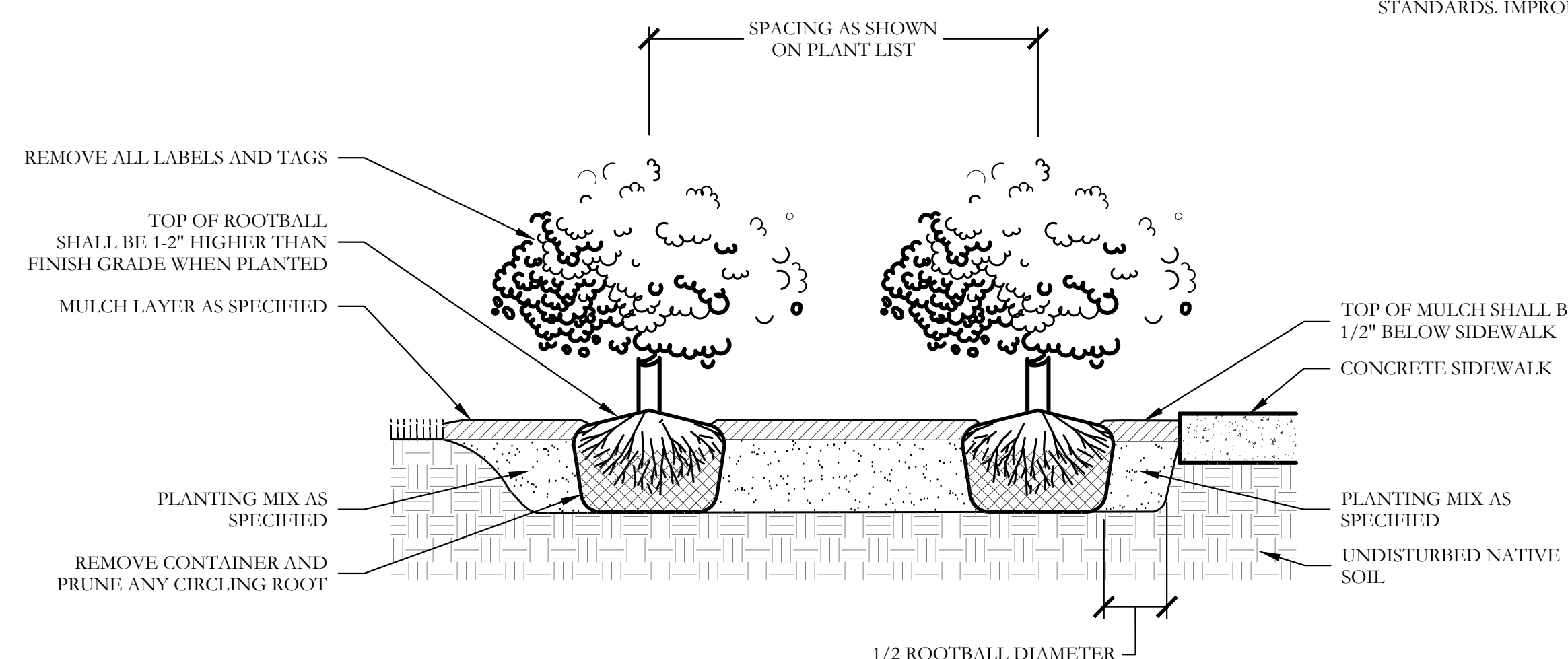


2 TYPICAL TREE PLANTING SECTION NOT TO SCALE



3 TYPICAL SHRUB AND GROUNDCOVER PLANTING PLAN/SECTION NOT TO SCALE

PLANT LEGEND						
EST. QT.	KEY	COMMON NAME	SCIENTIFIC NAME	SIZE	SPACING	REMARKS
21	LO	LIVE OAK	QUERCUS VIRGINIANA	4" CALIPER	AS SHOWN	NURSERY GROWN; FULL HEAD; MINIMUM BRANCHING HEIGHT AT 6'-0"; MINIMUM 10'-0" OVERALL HEIGHT.
23	SO	SHUMARD OAK	QUERCUS SHUMARDII	4" CALIPER	AS SHOWN	NURSERY GROWN; FULL HEAD; MINIMUM BRANCHING HEIGHT AT 6'-0"; MINIMUM 10'-0" OVERALL HEIGHT.
13	BO	BUR OAK	QUERCUS MACROCARPA	4" CALIPER	AS SHOWN	NURSERY GROWN; FULL HEAD; MINIMUM BRANCHING HEIGHT AT 6'-0"; MINIMUM 10'-0" OVERALL HEIGHT.
16	CE	CEDAR ELM	ULMUS CRASSIFOLIA	4" CALIPER	AS SHOWN	NURSERY GROWN; FULL HEAD; MINIMUM BRANCHING HEIGHT AT 6'-0"; MINIMUM 10'-0" OVERALL HEIGHT.
6	ERC	EASTERN RED CEDAR	JUNIPERUS VIRGINIANA	3" CALIPER	AS SHOWN	NURSERY GROWN; FULL HEAD; MINIMUM BRANCHING HEIGHT AT 6'-0"; MINIMUM 10'-0" OVERALL HEIGHT.
25	MP	MEXICAN PLUM	PRUNUS MEXICANA	2" CALIPER	AS SHOWN	NURSERY GROWN; FULL HEAD; MINIMUM 8'-0" OVERALL HEIGHT.
21	V	CHASTE TREE	VITEX AGNUS	2" CALIPER	AS SHOWN	NURSERY GROWN; FULL HEAD; MINIMUM 8'-0" OVERALL HEIGHT.
22	ST	SMOKE TREE	COTINUS COGGYGRIA	2" CALIPER	AS SHOWN	NURSERY GROWN; FULL HEAD; MINIMUM 8'-0" OVERALL HEIGHT.
93		TEXAS SAGE	LEUCOPHYLLUM FRUTESCENS	7 GALLON	48" O.C.	CONTAINER GROWN; FULL PLANT.
129		EDWARD GOUCHER ABELIA	ABELIA GRANDIFLORA 'EDWARD GOUCHER'	7 GALLON	48" O.C.	CONTAINER GROWN; FULL PLANT.
92		'DALLAS BLUES' SWITCHGRASS	PANICUM VIRGATUM 'DALLAS BLUES'	3 GALLON	36" O.C.	CONTAINER GROWN; FULL PLANT.
27		INDIAN HAWTHORN 'SNOW'	RHAPHIOLEPIS INDICA 'SNOW'	3 GALLON	36" O.C.	CONTAINER GROWN; FULL PLANT.
27		'LITTLE SPIRE' RUSSIAN SAGE	PEROVSKIA 'LITTLE SPIRE'	3 GALLON	36" O.C.	CONTAINER GROWN; FULL PLANT.
18		RED YUCCA	HESPERALOE PARVIFLORA	3 GALLON	36" O.C.	CONTAINER GROWN; FULL PLANT.
9		QUEEN VICTORIA AGAVE	AGAVE VICTORIAE REGINAE	3 GALLON	36" O.C.	CONTAINER GROWN; FULL PLANT.
54		UPRIGHT ROSEMARY	ROSMARINUS OFFICINALIS 'UPRIGHT'	3 GALLON	36" O.C.	CONTAINER GROWN; FULL PLANT.
72		MAUVE WALLFLOWER	ERYSIMUM 'BOWLES MAUVE'	1 GALLON	24" O.C.	CONTAINER GROWN; FULL PLANT.
72		'AUTUMN JOY' SEDUM	SEDUM 'AUTUMN JOY'	1 GALLON	24" O.C.	CONTAINER GROWN; FULL PLANT.
165		PURPLELEAF WINTERCREEPER	EUONYMUS FORTUNE 'COLORATUS'	1 GALLON	12" O.C.	CONTAINER GROWN; FULL PLANT.
31		TAM JUNIPER	JUNIPERUS SABINA 'TAMARISCHFOLIA'	7 GALLON	36" O.C.	CONTAINER GROWN; FULL PLANT.
160		WEeping LOVE GRASS	ERAGROSTIS CURVULA	1 GALLON	18" O.C.	CONTAINER GROWN; FULL PLANT.
90		DWARF SHASTA DAISY	LEUCANTHEMUM X SUPERBUM	1 GALLON	24" O.C.	CONTAINER GROWN; FULL PLANT.
47		LAVENDER COTTON	SANTOLINA CHAMAECYPARISSUS	1 GALLON	24" O.C.	CONTAINER GROWN; FULL PLANT.
171,498		COMMON BERMUDA GRASS HYDROMULCH	CYNODON DACTYLON	SQUARE FEET	HYDROMULCH	MINIMUM 100% COVERAGE ALL AREAS SHOWN
33,436		BEE HAPPY MIX	BY NATIVE AMERICAN SEED CO.	SQUARE FEET	HYDROMULCH	MINIMUM 100% COVERAGE ALL AREAS SHOWN
995		BLACK STAR CRUSHED GRANITE	5" DEPTH MINIMUM WITH DEWITT 4.1 OZ FILTER FABRIC BENEATH ROCK	SQUARE FEET	1/4-1" DIAMETER	MINIMUM 100% COVERAGE ALL AREAS SHOWN
1,565		TEXAS RIVER ROCK; MIX OF TANS, BROWNS, GRAYS, AND PINKS	5" DEPTH MINIMUM WITH DEWITT 4.1 OZ FILTER FABRIC BENEATH ROCK	SQUARE FEET	EQUAL COMBINATION OF 1-2" AND 2-4"	MINIMUM 100% COVERAGE ALL AREAS SHOWN
3		OKLAHOMA MOSS ROCK BOULDERS	BURY BOTTOM THIRD OF BOULDER IN LANDSCAPE BED.	TONS	FIELD LOCATE	50 LB - 250 LB PER BOULDER



NOT TO SCALE

GENERAL LANDSCAPE NOTES

INSPECTIONS:

- NO EXCAVATION SHALL OCCUR IN CITY R.O.W. WITHOUT A R.O.W. PERMIT-CONTACT THE PUBLIC WORKS DEPARTMENT.
- THE CONTRACTOR SHALL MARK ALL WATER LINES, SEWER LINES, AND TREE LOCATIONS PRIOR TO CALLING FOR ROW INSPECTION AND PERMIT.
- THE LANDSCAPE INSTALLATION SHALL COMPLY WITH APPROVED LANDSCAPE DRAWINGS PRIOR TO FINAL ACCEPTANCE BY THE CITY AND ISSUANCE OF A CERTIFICATE OF OCCUPANCY.
- WATER METERS, CLEANOUTS AND OTHER APPURTENANCES, SHALL BE ACCESSIBLE, ADJUSTED TO GRADE, CLEARLY MARKED WITH FLAGGING AND COMPLIANT WITH PUBLIC WORKS DEPARTMENT STANDARDS PRIOR TO CALLING FOR FINAL LANDSCAPE AND ROW INSPECTIONS.

LANDSCAPE STANDARDS:

- PLANTINGS AND LANDSCAPE ELEMENTS SHALL COMPLY WITH THE CITY'S ENGINEERING DESIGN STANDARDS, PUBLIC R.O.W. VISIBILITY REQUIREMENTS.
- UNLESS OTHERWISE SPECIFIED, TREES SHALL BE PLANTED NO LESS THAN 4' FROM CURBS, SIDEWALKS, UTILITY LINES, SCREENING WALLS AND OTHER STRUCTURES. THE CITY HAS FINAL APPROVAL FOR ALL TREE PLACEMENTS.
- A MINIMUM THREE FEET (3') RADIUS AROUND A FIRE HYDRANT MUST REMAIN CLEAR OF LANDSCAPE PURSUANT TO THE FIRE CODE.
- STREET TREES, WHERE REQUIRED, SHALL BE (10') MINIMUM FROM THE EDGE OF A STORM SEWER CURB INLET BOX AND THE EDGE OF THE ROOT BALL SHALL BE (4') MINIMUM FROM THE WATER METER.
- THE AMERICAN STANDARD FOR NURSERY STOCK (ANSI Z60.1-2004) SPECIFICATIONS SHALL GOVERN PLANT QUALIFICATIONS, GRADES, AND STANDARDS.
- TREE PLANTING SHALL COMPLY WITH DETAILS HEREIN AND THE INTERNATIONAL SOCIETY OF ARBORICULTURE (ISA) STANDARDS.
- A 2-3" LAYER OF MULCH SHALL BE PROVIDED AROUND THE BASE OF THE PLANTED TREE. THE MULCH SHALL BE PULLED BACK 4" FROM THE TRUNK OF THE TREE.
- TREE PITS SHALL BE TESTED FOR WATER PERCOLATION. IF WATER DOES NOT DRAIN OUT OF TREE PIT WITHIN 24-HOURS, THE TREE SHALL BE MOVED OR DRAINAGE SHALL BE PROVIDED.
- ALL BEDS TO HAVE 3" OF COMPOSTED SOIL, LIVING EARTH TECHNOLOGY, OR APPROVED EQUAL TILLED AND TURNED TO A DEPTH OF 8" MINIMUM.
- ALL PLANT BEDS SHALL BE TOP-DRESSED WITH A MINIMUM OF 3 INCHES OF HARDWOOD MULCH.
- NATIVE SITE TOPSOIL IS TO BE PROTECTED FROM EROSION OR STOCKPILED. NATIVE SITE TOPSOIL SHALL BE LABORATORY TESTED BY AND ACCREDITED LABORATORY AND AMENDED PER SAID LABORATORY'S RECOMMENDATIONS.

IRRIGATION STANDARDS:

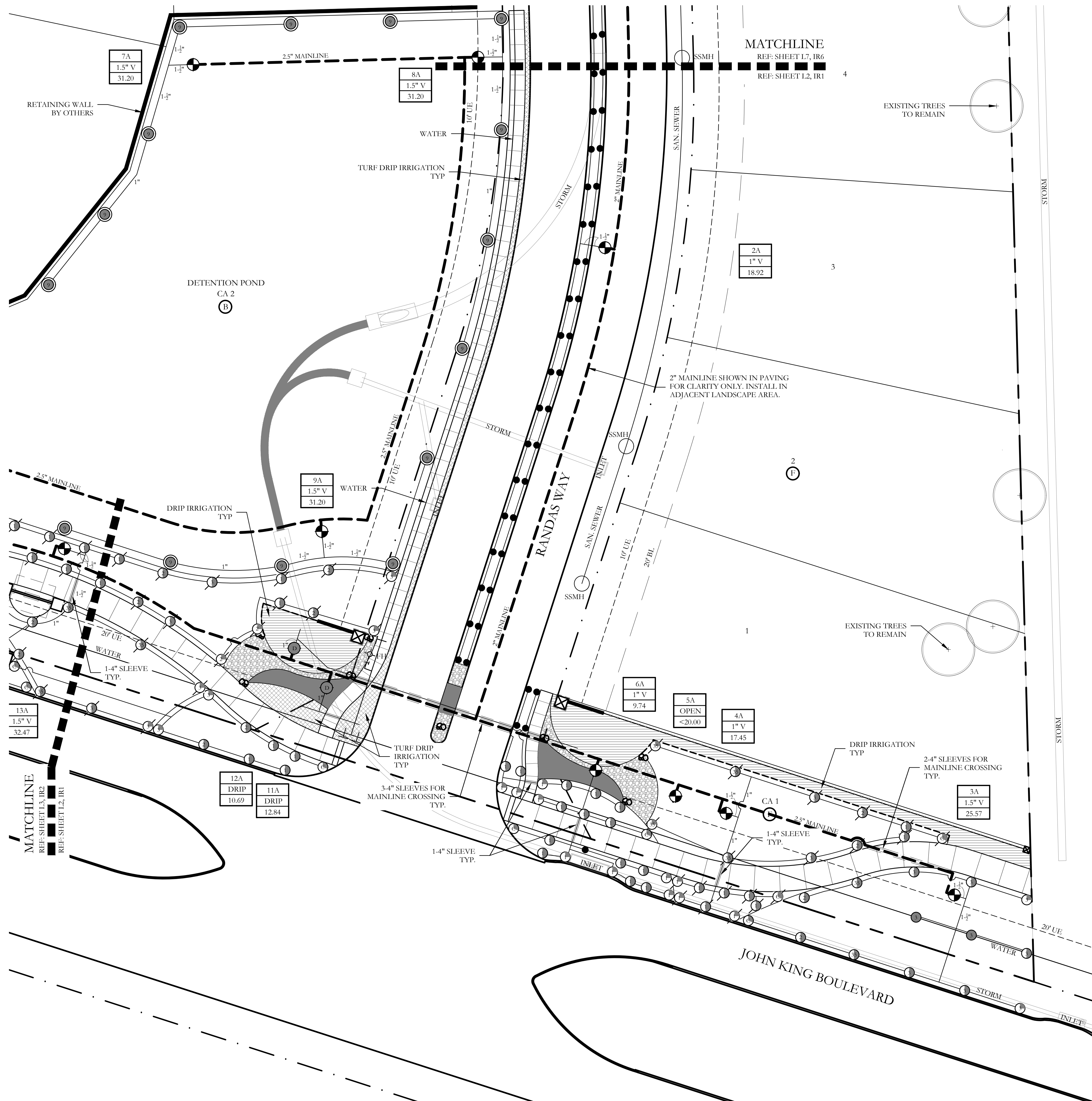
- ANY CHANGES TO THESE APPROVED IRRIGATION DRAWINGS SHALL BE AUTHORIZED BY THE CITY.
- CONTACT DEVELOPMENT SERVICES FOR AN IRRIGATION PERMIT PRIOR TO INSTALLING THE IRRIGATION SYSTEM.
- IRRIGATION OVER-SPRAY ON STREETS AND WALKS IS PROHIBITED.
- MAIN LINES, VALVES, OR CONTROL WIRES SHALL NOT BE LOCATED IN THE CITY'S ROW.
- IR IRRIGATION CONTROLLERS SHALL BE PROGRAMMED AND ADJUSTED TO NOT EXCEED THE LANDSCAPE WATER ALLOWANCE (LWA) PRIOR TO APPROVAL OF LANDSCAPE INSTALLATION.
- VALVES SHALL BE LOCATED A MINIMUM OF (3') AWAY FROM STORM SEWERS, AND SANITARY SEWER LINES AND 5 FEET FROM CITY FIRE HYDRANTS AND WATER VALVES.
- THE BORE DEPTH UNDER STREETS, DRIVE AISLES, AND FIRE LANES SHALL PROVIDE (2") OF CLEARANCE (MINIMUM).
- IRRIGATION HEADS THAT RUN PARALLEL AND NEAR PUBLIC WATER AND SANITARY SEWER LINES; SHALL BE FED FROM STUBBED LATERALS OR BULL-HEADS. A MINIMUM FIVE FOOT (5') SEPARATION IS REQUIRED BETWEEN IRRIGATION MAIN LINES AND LATERALS THAT RUN PARALLEL TO PUBLIC WATER AND SANITARY SEWER LINES.
- NO VALVES, BACKFLOW PREVENTION ASSEMBLIES, QUICK COUPLERS ETC. SHALL BE LOCATED CLOSER THAN 10' FROM THE CURB AT STREET OR DRIVE INTERSECTION.

MAINTENANCE STANDARDS:

- THE OWNER SHALL BE RESPONSIBLE FOR THE ESTABLISHMENT, MAINTENANCE, AND VIGOR OF PLANT MATERIAL IN ACCORDANCE WITH THE DESIGN INTENT AND AS APPROPRIATE FOR THE SEASON OF THE YEAR.
- LANDSCAPE AND OPEN AREAS SHALL BE FREE OF TRASH, LITTER AND WEEDS.
- NO PLANT MATERIAL SHALL BE ALLOWED TO ENCRONCH ON R.O.W., SIDEWALKS OR EASEMENTS TO THE EXTENT THAT VISION OR ROUTE OF TRAVEL FOR VEHICULAR, PEDESTRIAN, OR BICYCLE TRAFFIC IS IMPEDED.
- TREE MAINTENANCE SHALL BE IN ACCORDANCE WITH THE STANDARDS OF THE INTERNATIONAL SOCIETY OF ARBORICULTURE.
- TREE STAKING MATERIALS, IF USED, SHALL BE REMOVED AFTER (1) GROWING SEASON, NO MORE THAN (1) YEAR AFTER INSTALLATION (STEEL TREE STAKES, WIRES, AND HOSES ARE PROHIBITED).

TREE PROTECTION NOTES:

- CONTACT DEVELOPMENT SERVICES FOR A TREE REMOVAL PERMIT PRIOR TO REMOVAL OR TRANSPLANTING OF ANY TREES.
- ALL TREES WHICH ARE TO REMAIN ON SITE SHALL BE PROTECTED WITH A (4') TALL, BRIGHTLY COLORED PLASTIC FENCE, OR SILT FENCE, PLACED AT THE DRIP LINE OF THE TREES.
- PRIOR TO THE PRE-CONSTRUCTION MEETING OR OBTAINING A GRADING PERMIT, ALL TREE MARKINGS AND PROTECTIVE FENCING SHALL BE INSTALLED BY THE OWNER AND BE INSPECTED BY DEVELOPMENT SERVICES.
- NO EQUIPMENT SHALL BE CLEANED, OR HARMFUL LIQUIDS DEPOSITED WITHIN THE LIMITS OF THE ROOT ZONE OF TREES WHICH REMAIN ON SITE.
- NO SIGNS, WIRES, OR OTHER ATTACHMENTS SHALL BE ATTACHED TO ANY TREE TO REMAIN ON SITE.
- VEHICULAR AND CONSTRUCTION EQUIPMENT SHALL NOT PARK OR DRIVE WITHIN THE LIMITS OF THE DRIP LINE.
- GRADE CHANGES IN EXCESS OF 3 INCHES (CUT OR FILL) SHALL NOT BE ALLOWED WITHIN A ROOT ZONE, UNLESS ADEQUATE TREE PRESERVATION METHODS ARE APPROVED BY THE CITY.
- NO TRENCHING SHALL BE ALLOWED WITHIN THE DRIP-LINE OF A TREE, UNLESS APPROVED BY THE CITY.
- ALL REMOVED TREES SHALL BE CHIPPED AND USED FOR MULCH ON SITE OR HAULED OFF-SITE.
- ALL TREE MAINTENANCE TECHNIQUES SHALL BE IN CONFORMANCE WITH INDUSTRY IDENTIFIED STANDARDS. IMPROPER OR MALICIOUS PRUNING TECHNIQUES ARE STRICTLY PROHIBITED.



IRRIGATION LEGEND AND SCHEDULE

SYM	DESCRIPTION	MANUFACTURER	MODEL	SIZE / NOZZLE
C	AUTOMATIC CONTROLLER	HUNTER	REFER TO PLANS	N/A
CV	DRIP IRRIGATION CONTROL VALVE	HUNTER	ICZ-101	1"
LD	DRIP IRRIGATION (LANDSCAPE BEDS)	HUNTER	PLD-06-18	N/A
LT	DRIP IRRIGATION (TURF BEDS)	HUNTER	PLD-06-12	N/A
DB	DRIP IRRIGATION	HUNTER	AFB-ADJ BUBBLER (0.5 GPM EACH BUBBLER)	1/2"
RCV	REMOTE CONTROL VALVE	HUNTER	ICV-101G ICV-151G	Refer to Plan for Size
SR	SHRUB MP ROTATOR	HUNTER	12" RAISED MP ROTATOR	MP1000, MP2000, MP3000, MP3500
LR	LAWN MP ROTATOR	HUNTER	MP ROTATOR	MP1000, MP2000, MP3000, MP3500
CS	4" POP UP MP ROTATOR CORNER STRIP	HUNTER	STRIP SERIES	MPLC515 IVORY MPRC515 COPPER MPS530 BROWN
CC	4" POP UP MP ROTATOR CORNER	HUNTER	CORNER SERIES	MP CORNER SERIES ADJUSTABLE ARC 8"-15"
RH	ROTOR HEAD	HUNTER	PGP SERIES	#9 NOZZLES
WM	WATER METER	---	PER CITY	Refer to Plan for Size
DCV	DOUBLE CHECK VALVE	Febeo	850-BV Series	Refer to Plan for Size
IV	ISOLATION VALVE	Nibeo	*T-113	Line Size
YS	WYE STRAINER	Febeo	*850	Refer to Plan for Size
MV	MASTER VALVE	Hunter	ICV-101G ICV-151G	Refer to Plan for Size
IS	IRRIGATION SLEEVE	---	SCH. 40 w/ 12 GA. PULL WIRE IN SLEEVE	Refer to Plan for Size
ML	IRRIGATION MAIN LINE	---	SCH. 40	Refer to Plan for Size
LL	IRRIGATION LATERAL LINE	---	CLASS 200	Refer to Plan for Size

- PROGRAM AND STATION NUMBER FOR AUTOMATIC CONTROLLER
- VALVE SIZE IN INCHES
- GALLONS PER MINUTE, PER VALVE

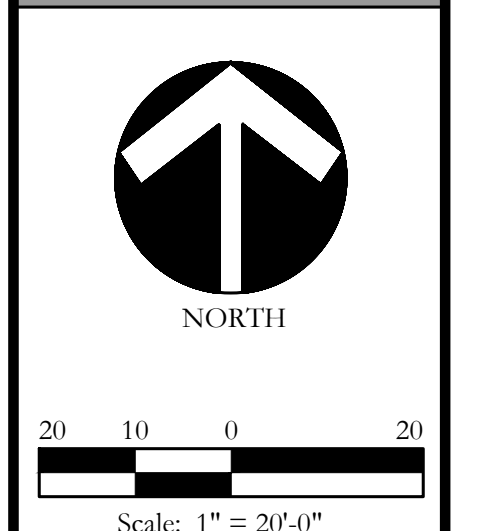
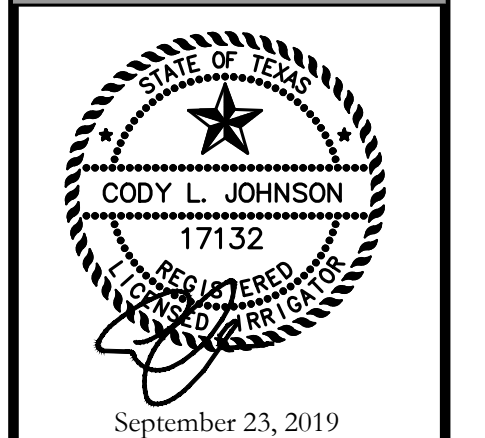
REFER TO SHEET IR10 FOR FULL IRRIGATION LEGEND AND SCHEDULE

NOTE:
ALL LATERAL LINES SHALL BE 3/4" CLASS 200 PVC UNLESS OTHERWISE NOTED ON PLANS.

ZONE VALVES LABELED AS 'OPEN' ARE INTENDED FOR THE USE OF SUPPLYING HUNTER AFB-ADJ TREE BUBBLERS ON EACH PROPOSED TREE. IRRIGATION CONTRACTOR SHALL FIELD VERIFY THAT THESE ZONES DO NOT EXCEED 20 GALLONS PER MINUTE. THE IRRIGATION CONTRACTOR SHALL STAKE EACH TREE BUBBLER HEAD LOCATION AND RECEIVE APPROVAL FROM THE OWNER AND/OR THE OWNER'S REPRESENTATIVE PRIOR TO INSTALLATION.

CODY JOHNSON
s.t.u.d.i.o

9720 COTT ROAD SUITE 220-333 PLANO, TEXAS 75025
PH: (972) 570-0162
EMAIL: CODY@CODYJOHNSONSTUDIO.COM

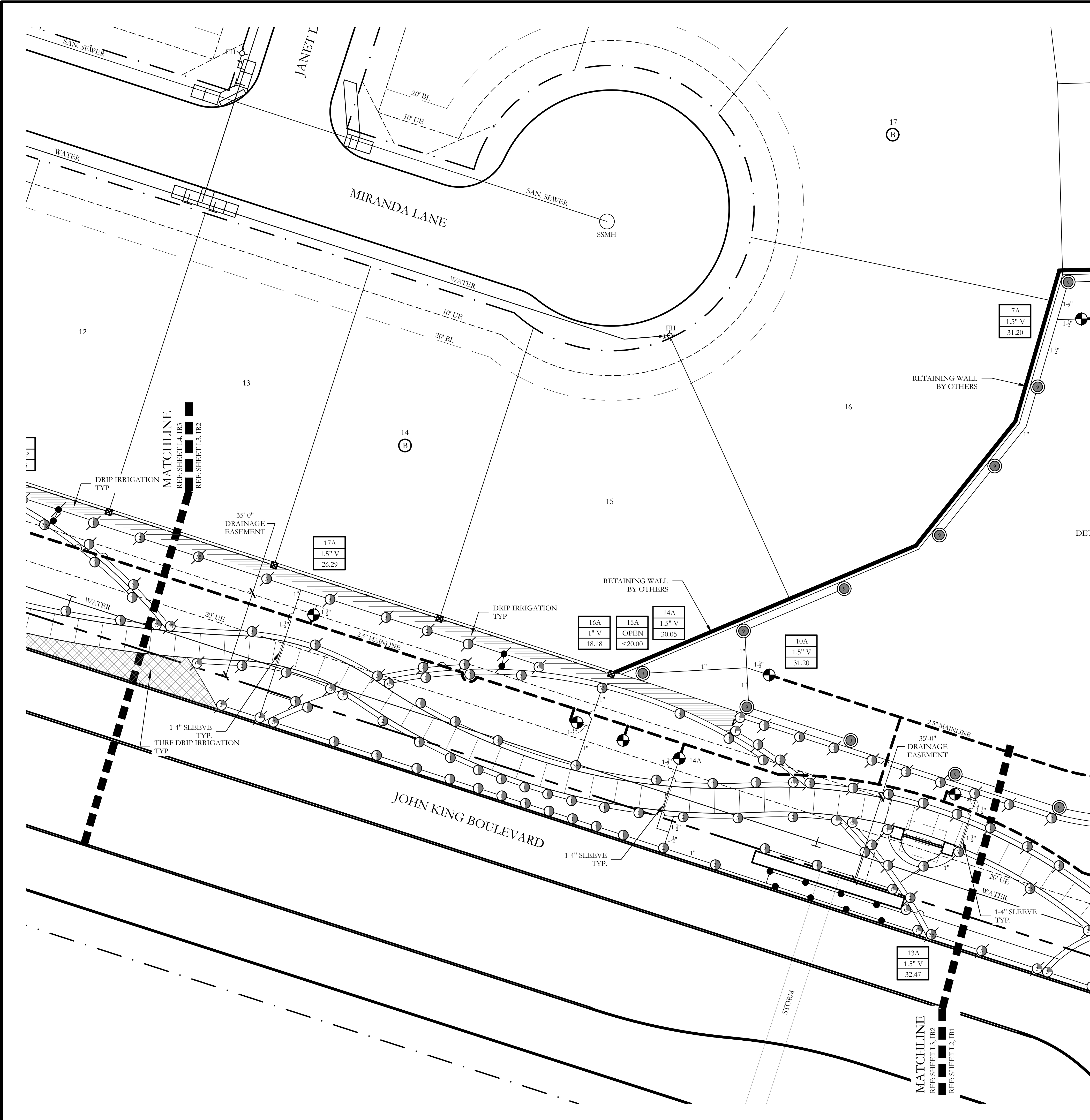


Bar is one inch on original drawing. If not one inch on this sheet, adjust scale as necessary.

One Inch

SCREENING AND BUFFERING
Irrigation Plan
Saddle Star Estates South - Phase 1
City of Rockwall, Rockwall County, Texas

CJS PROJECT NO.	PAD001
SHEET NO.	IR1 of 11



IRRIGATION LEGEND AND SCHEDULE

SYM	DESCRIPTION	MANUFACTURER	MODEL	SIZE / NOZZLE
	AUTOMATIC CONTROLLER	HUNTER	REFER TO PLANS	N/A
	DRIP IRRIGATION CONTROL VALVE	HUNTER	ICZ-101	1"
	DRIP IRRIGATION (LANDSCAPE BEDS)	HUNTER	PLD-06-18	N/A
	DRIP IRRIGATION (TURF BEDS)	HUNTER	PLD-06-12	N/A
	DRIP IRRIGATION	HUNTER	AFB-ADJ BUBBLER (0.5 GPM EACH BUBBLER)	1/2"
	REMOTE CONTROL VALVE	HUNTER	ICV-101G ICV-151G	Refer to Plan for Size
	SHRUB MP ROTATOR	HUNTER	12" RAISED MP ROTATOR	MP1000, MP2000, MP3000, MP3500
	LAWN MP ROTATOR	HUNTER	MP ROTATOR	MP1000, MP2000, MP3000, MP3500
	4" POP UP MP ROTATOR CORNER STRIP	HUNTER	STRIP SERIES	MPLC515 IVORY MPRCS515 COPPER MPSS350 BROWN
	4" POP UP MP ROTATOR CORNER	HUNTER	CORNER SERIES	MP CORNER SERIES ADJUSTABLE ARC 8"-15"
	ROTOR HEAD	HUNTER	PGP SERIES	#9 NOZZLES
	WATER METER	---	PER CITY	Refer to Plan for Size
	DOUBLE CHECK VALVE	Febeo	850-BV Series	Refer to Plan for Size
	ISOLATION VALVE	Nibco	*T-113	Line Size
	WYE STRAINER	Febeo	*850	Refer to Plan for Size
	MASTER VALVE	Hunter	ICV-101G ICV-151G	Refer to Plan for Size
	IRRIGATION SLEEVE	---	SCH. 40 w/ 12 GA. PULL WIRE IN SLEEVE	Refer to Plan for Size
	IRRIGATION MAIN LINE	---	SCH. 40	Refer to Plan for Size
	IRRIGATION LATERAL LINE	---	CLASS 200	Refer to Plan for Size

- PROGRAM AND STATION NUMBER FOR AUTOMATIC CONTROLLER
- VALVE SIZE IN INCHES
- GALLONS PER MINUTE, PER VALVE

REFER TO SHEET IR10 FOR FULL IRRIGATION LEGEND AND SCHEDULE

NOTE:
ALL LATERAL LINES SHALL BE 3/4" CLASS 200 PVC UNLESS OTHERWISE NOTED ON PLANS.

ZONE VALVES LABELED AS "OPEN" ARE INTENDED FOR THE USE OF SUPPLYING HUNTER AFB-ADJ TREE BUBBLERS ON EACH PROPOSED TREE. IRRIGATION CONTRACTOR SHALL FIELD VERIFY THAT THESE ZONES DO NOT EXCEED 20 GALLONS PER MINUTE. THE IRRIGATION CONTRACTOR SHALL STAKE EACH TREE BUBBLER HEAD LOCATION AND RECEIVE APPROVAL FROM THE OWNER AND/OR THE OWNER'S REPRESENTATIVE PRIOR TO INSTALLATION.

CODY JOHNSON
s.t.u.d.i.o

9720 COTT ROAD SUITE 220-333 PLANO, TEXAS 75025
PH: (972) 570-0162
EMAIL: CODY@CODYJOHNSONSTUDIO.COM

STATE OF TEXAS
REGISTERED PROFESSIONAL ENGINEER
CODY L. JOHNSON
17132
September 23, 2019

NORTH

Scale: 1" = 20'-0"

Bar is one inch on original drawing. If not one inch on this sheet, adjust scale as necessary.

One Inch

SCREENING AND BUFFERING

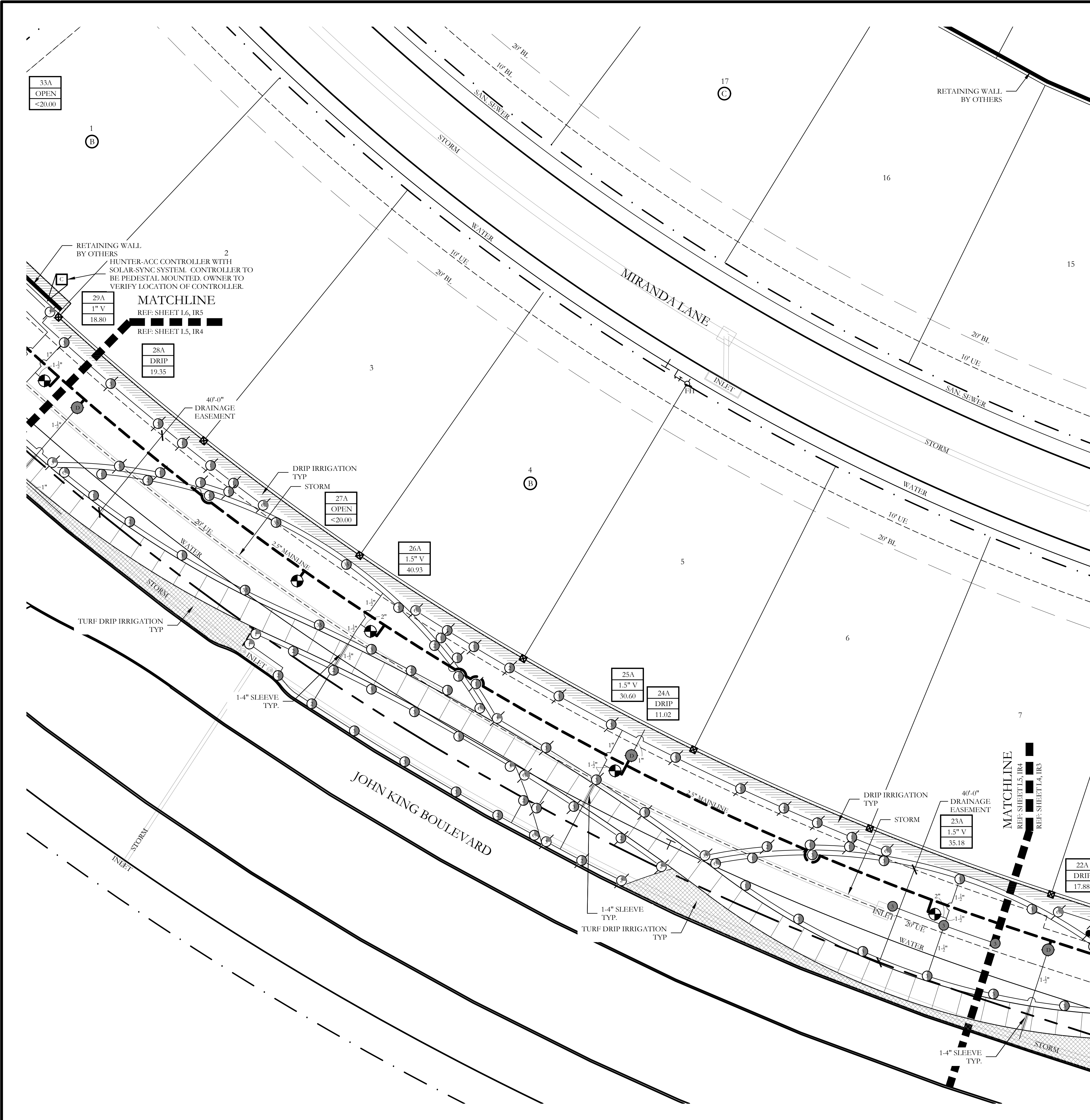
Irrigation Plan

Saddle Star Estates South - Phase 1

City of Rockwall, Rockwall County, Texas

CJS PROJECT NO.
PAD001

SHEET NO.
IR2 of 11



IRRIGATION LEGEND AND SCHEDULE

SYM	DESCRIPTION	MANUFACTURER	MODEL	SIZE / NOZZLE
	AUTOMATIC CONTROLLER	HUNTER	REFER TO PLANS	N/A
	DRIP IRRIGATION CONTROL VALVE	HUNTER	ICZ-101	1"
	DRIP IRRIGATION (LANDSCAPE BEDS)	HUNTER	PLD-06-18	N/A
	DRIP IRRIGATION (TURF BEDS)	HUNTER	PLD-06-12	N/A
	DRIP IRRIGATION	HUNTER	AFB-ADJ BUBBLER (0.5 GPM EACH BUBBLER)	1/2"
	REMOTE CONTROL VALVE	HUNTER	ICV-101G ICV-151G	Refer to Plan for Size
	SHRUB MP ROTATOR	HUNTER	12" RAISED MP ROTATOR	MP1000, MP2000, MP3000, MP3500
	LAWN MP ROTATOR	HUNTER	MP ROTATOR	MP1000, MP2000, MP3000, MP3500
	4" POP UP MP ROTATOR CORNER STRIP	HUNTER	STRIP SERIES	MP1C515 IVORY MPRCS515 COPPER MPSS530 BROWN
	4" POP UP MP ROTATOR CORNER	HUNTER	CORNER SERIES	MP CORNER SERIES ADJUSTABLE ARC 8"-15"
	ROTOR HEAD	HUNTER	PGP SERIES	#9 NOZZLES
	WATER METER	---	PER CITY	Refer to Plan for Size
	DOUBLE CHECK VALVE	Febeo	850-BV Series	Refer to Plan for Size
	ISOLATION VALVE	Nibeo	*T-113	Line Size
	WYE STRAINER	Febeo	*850	Refer to Plan for Size
	MASTER VALVE	Hunter	ICV-101G ICV-151G	Refer to Plan for Size
	IRRIGATION SLEEVE	---	SCH. 40 w/ 12 GA. PULL WIRE IN SLEEVE	Refer to Plan for Size
	IRRIGATION MAIN LINE	---	SCH. 40	Refer to Plan for Size
	IRRIGATION LATERAL LINE	---	CLASS 200	Refer to Plan for Size

- PROGRAM AND STATION NUMBER FOR AUTOMATIC CONTROLLER
- VALVE SIZE IN INCHES
- GALLONS PER MINUTE, PER VALVE

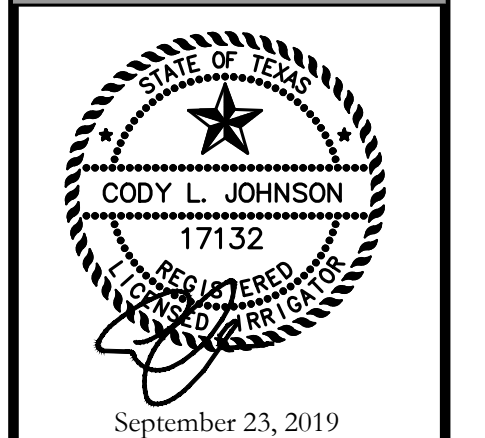
REFER TO SHEET IR10 FOR FULL IRRIGATION LEGEND AND SCHEDULE

NOTE:
ALL LATERAL LINES SHALL BE 3/4" CLASS 200 PVC UNLESS OTHERWISE NOTED ON PLANS.

ZONE VALVES LABELED AS "OPEN" ARE INTENDED FOR THE USE OF SUPPLYING HUNTER AFB-ADJ TREE BUBBLERS ON EACH PROPOSED TREE. IRRIGATION CONTRACTOR SHALL FIELD VERIFY THAT THESE ZONES DO NOT EXCEED 20 GALLONS PER MINUTE. THE IRRIGATION CONTRACTOR SHALL STAKE EACH TREE BUBBLER HEAD LOCATION AND RECEIVE APPROVAL FROM THE OWNER AND/OR THE OWNER'S REPRESENTATIVE PRIOR TO INSTALLATION.

CODY JOHNSON
s.t.u.d.i.o

9720 COTT ROAD SUITE 220-333 PLANO, TEXAS 75025
PH: (972) 570-0162
EMAIL: CODY@CODYJOHNSONSTUDIO.COM



September 23, 2019

NORTH

Scale: 1" = 20'-0"

Bar is one inch on original drawing. If not one inch on this sheet, adjust scale as necessary.

One Inch

SCREENING AND BUFFERING

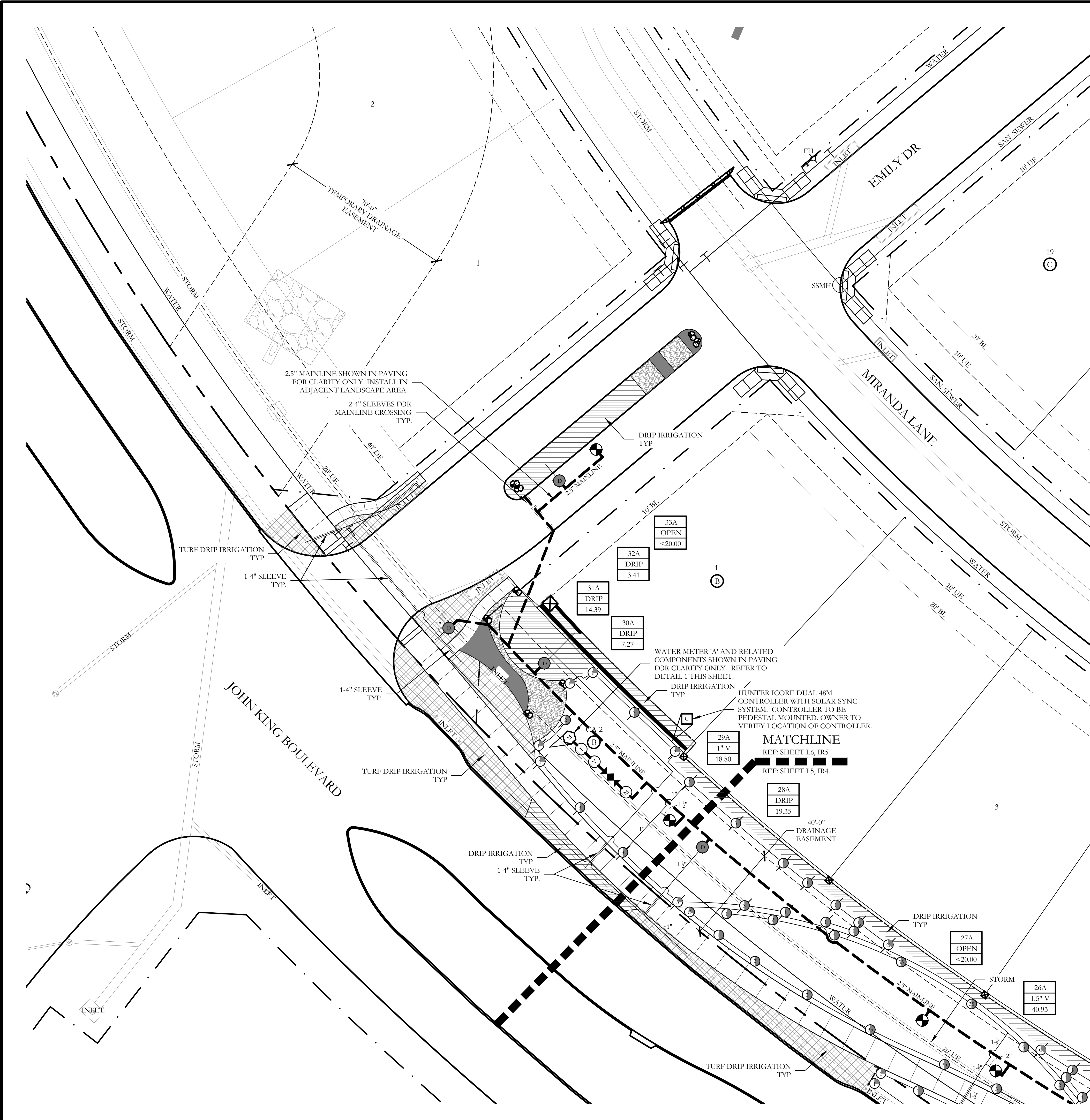
Irrigation Plan

Saddle Star Estates South - Phase 1

City of Rockwall, Rockwall County, Texas

CJS PROJECT NO.
PAD001

SHEET NO.
IR4 of 11



IRRIGATION LEGEND AND SCHEDULE

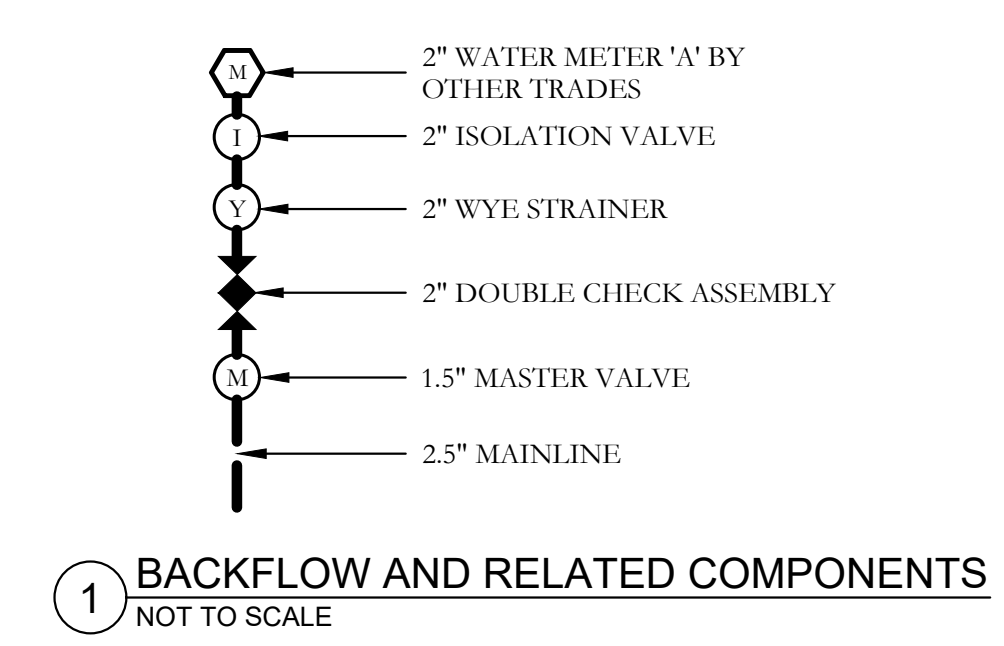
SYM	DESCRIPTION	MANUFACTURER	MODEL	SIZE / NOZZLE
C	AUTOMATIC CONTROLLER	HUNTER	REFER TO PLANS	N/A
⊙	DRIP IRRIGATION CONTROL VALVE	HUNTER	ICZ-101	1"
▨	DRIP IRRIGATION (LANDSCAPE BEDS)	HUNTER	PLD-06-18	N/A
▩	DRIP IRRIGATION (TURF BEDS)	HUNTER	PLD-06-12	N/A
⊙	DRIP IRRIGATION	HUNTER	AFB-ADJ BUBBLER (0.5 GPM EACH BUBBLER)	1/2"
⊕	REMOTE CONTROL VALVE	HUNTER	ICV-101G ICV-151G	Refer to Plan for Size
⊙	SHRUB MP ROTATOR	HUNTER	12" RAISED MP ROTATOR	MP1000, MP2000, MP3000, MP3500
⊙	LAWN MP ROTATOR	HUNTER	MP ROTATOR	MP1000, MP2000, MP3000, MP3500
⊙	4" POP UP MP ROTATOR CORNER STRIP	HUNTER	STRIP SERIES	MPLC315 IVORY MPRCS515 COPPER MPS530 BROWN
⊙	4" POP UP MP ROTATOR CORNER	HUNTER	CORNER SERIES	MP CORNER SERIES ADJUSTABLE ARC 8"-15"
⊙	ROTOR HEAD	HUNTER	PGP SERIES	#9 NOZZLES
M	WATER METER	---	PER CITY	Refer to Plan for Size
⌘	DOUBLE CHECK VALVE	Febeo	850-BV Series	Refer to Plan for Size
I	ISOLATION VALVE	Nibeo	*T-113	Line Size
Y	WYE STRAINER	Febeo	*850	Refer to Plan for Size
M	MASTER VALVE	Hunter	ICV-101G ICV-151G	Refer to Plan for Size
---	IRRIGATION SLEEVE	---	SCH. 40 w/ 12 GA. PULL WIRE IN SLEEVE	Refer to Plan for Size
---	IRRIGATION MAIN LINE	---	SCH. 40	Refer to Plan for Size
---	IRRIGATION LATERAL LINE	---	CLASS 200	Refer to Plan for Size

- ⊙ PROGRAM AND STATION NUMBER FOR AUTOMATIC CONTROLLER
- ⊙ VALVE SIZE IN INCHES
- ⊙ GALLONS PER MINUTE, PER VALVE

REFER TO SHEET IR10 FOR FULL IRRIGATION LEGEND AND SCHEDULE

NOTE: ALL LATERAL LINES SHALL BE 3/4" CLASS 200 PVC UNLESS OTHERWISE NOTED ON PLANS.

ZONE VALVES LABELED AS 'OPEN' ARE INTENDED FOR THE USE OF SUPPLYING HUNTER AFB-ADJ TREE BUBBLERS ON EACH PROPOSED TREE. IRRIGATION CONTRACTOR SHALL FIELD VERIFY THAT THESE ZONES DO NOT EXCEED 20 GALLONS PER MINUTE. THE IRRIGATION CONTRACTOR SHALL STAKE EACH TREE BUBBLER HEAD LOCATION AND RECEIVE APPROVAL FROM THE OWNER AND/OR THE OWNER'S REPRESENTATIVE PRIOR TO INSTALLATION.



CODY JOHNSON
s.t.u.d.i.o

9720 COTT ROAD SUITE 220-333 PLANO, TEXAS 75025
PH: (972) 570-0162
EMAIL: CODY@CODYJOHNSONSTUDIO.COM

STATE OF TEXAS
CODY L. JOHNSON
17132
REGISTERED PROFESSIONAL ENGINEER
SEPTEMBER 23, 2019

NORTH

20 10 0 20
Scale: 1" = 20'-0"

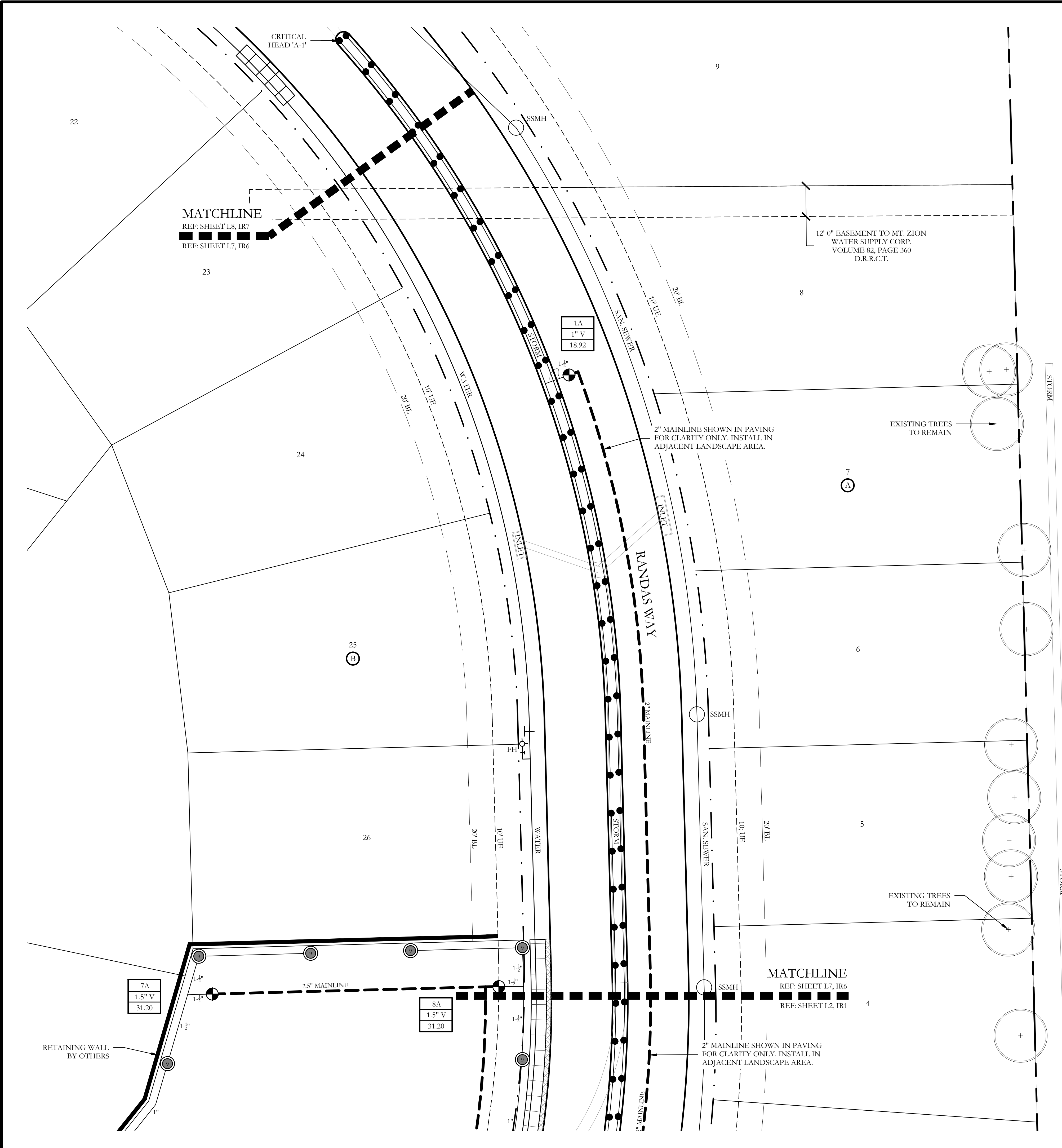
Bar is one inch on original drawing. If not one inch on this sheet, adjust scale as necessary.

One Inch

SCREENING AND BUFFERING
Irrigation Plan
Saddle Star Estates South - Phase 1
City of Rockwall, Rockwall County, Texas

CJS PROJECT NO.
PAD001

SHEET NO.
IR5 of 11



IRRIGATION LEGEND AND SCHEDULE

SYM	DESCRIPTION	MANUFACTURER	MODEL	SIZE / NOZZLE
[C]	AUTOMATIC CONTROLLER	HUNTER	REFER TO PLANS	N/A
[V]	DRIP IRRIGATION CONTROL VALVE	HUNTER	ICZ-101	1"
[L]	DRIP IRRIGATION (LANDSCAPE BEDS)	HUNTER	PLD-06-18	N/A
[T]	DRIP IRRIGATION (TURF BEDS)	HUNTER	PLD-06-12	N/A
[B]	DRIP IRRIGATION	HUNTER	AFB-ADJ BUBBLER (0.5 GPM EACH BUBBLER)	1/2"
[R]	REMOTE CONTROL VALVE	HUNTER	ICV-101G ICV-151G	Refer to Plan for Size
[SR]	SHRUB MP ROTATOR	HUNTER	12" RAISED MP ROTATOR	MP1000, MP2000, MP3000, MP3500
[LR]	LAWN MP ROTATOR	HUNTER	MP ROTATOR	MP1000, MP2000, MP3000, MP3500
[CS]	4" POP UP MP ROTATOR CORNER STRIP	HUNTER	STRIP SERIES	MPLC515 IVORY MPRCS15 COPPER MPS350 BROWN
[CC]	4" POP UP MP ROTATOR CORNER	HUNTER	CORNER SERIES	MP CORNER SERIES ADJUSTABLE ARC 8"-15"
[R2]	ROTOR HEAD	HUNTER	PGP SERIES	#9 NOZZLES
[M]	WATER METER	---	PER CITY	Refer to Plan for Size
[D]	DOUBLE CHECK VALVE	Febeo	850-BV Series	Refer to Plan for Size
[I]	ISOLATION VALVE	Nibeo	*T-113	Line Size
[Y]	WYE STRAINER	Febeo	*850	Refer to Plan for Size
[M2]	MASTER VALVE	Hunter	ICV-101G ICV-151G	Refer to Plan for Size
[S]	IRRIGATION SLEEVE	---	SCH. 40 w/ 12 GA. PULL WIRE IN SLEEVE	Refer to Plan for Size
[M3]	IRRIGATION MAIN LINE	---	SCH. 40	Refer to Plan for Size
[L]	IRRIGATION LATERAL LINE	---	CLASS 200	Refer to Plan for Size

- [C] PROGRAM AND STATION NUMBER FOR AUTOMATIC CONTROLLER
- [V] VALVE SIZE IN INCHES
- [B] GALLONS PER MINUTE, PER VALVE

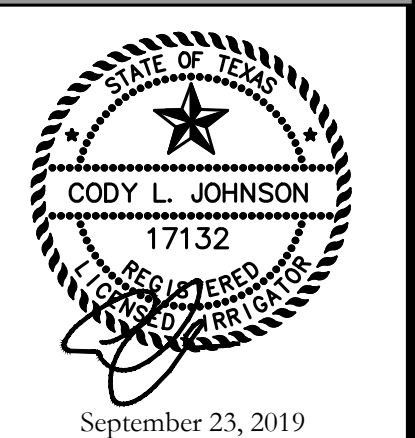
REFER TO SHEET IR10 FOR FULL IRRIGATION LEGEND AND SCHEDULE

NOTE:
ALL LATERAL LINES SHALL BE 3/4" CLASS 200 PVC UNLESS OTHERWISE NOTED ON PLANS.

ZONE VALVES LABELED AS "OPEN" ARE INTENDED FOR THE USE OF SUPPLYING HUNTER AFB-ADJ TREE BUBBLERS ON EACH PROPOSED TREE. IRRIGATION CONTRACTOR SHALL FIELD VERIFY THAT THESE ZONES DO NOT EXCEED 20 GALLONS PER MINUTE. THE IRRIGATION CONTRACTOR SHALL STAKE EACH TREE BUBBLER HEAD LOCATION AND RECEIVE APPROVAL FROM THE OWNER AND/OR THE OWNER'S REPRESENTATIVE PRIOR TO INSTALLATION.

CODY JOHNSON
s.t.u.d.i.o

9720 COTT ROAD SUITE 220-333 PLANO, TEXAS 75025
PH: (972) 570-0162
EMAIL: CODY@CODYJOHNSONSTUDIO.COM



September 23, 2019

NORTH

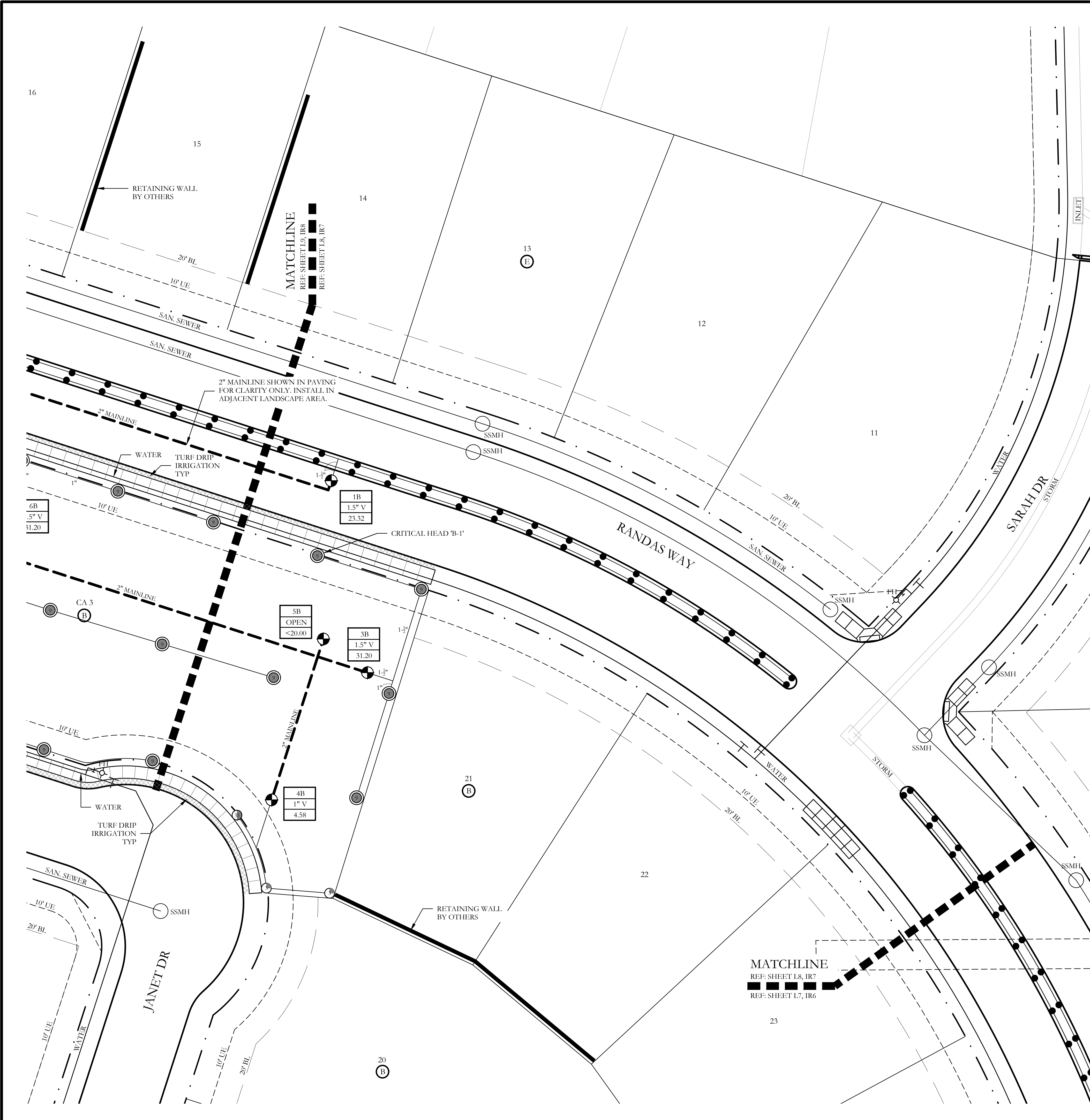
Scale: 1" = 20'-0"

Bar is one inch on original drawing. If not one inch on this sheet, adjust scale as necessary.

One Inch

SCREENING AND BUFFERING
Irrigation Plan
Saddle Star Estates South - Phase 1
City of Rockwall, Rockwall County, Texas

CJS PROJECT NO.
PAD001
SHEET NO.
IR6 of 11



IRRIGATION LEGEND AND SCHEDULE

SYM	DESCRIPTION	MANUFACTURER	MODEL	SIZE / NOZZLE
C	AUTOMATIC CONTROLLER	HUNTER	REFER TO PLANS	N/A
⊙	DRIP IRRIGATION CONTROL VALVE	HUNTER	ICZ-101	1"
▨	DRIP IRRIGATION (LANDSCAPE BEDS)	HUNTER	PLD-06-18	N/A
▩	DRIP IRRIGATION (TURF BEDS)	HUNTER	PLD-06-12	N/A
⊙	DRIP IRRIGATION	HUNTER	AFB-ADJ BUBBLER (0.5 GPM EACH BUBBLER)	1/2"
⊕	REMOTE CONTROL VALVE	HUNTER	ICV-101G ICV-151G	Refer to Plan for Size
⊙	SHRUB MP ROTATOR	HUNTER	12" RAISED MP ROTATOR	MP1000, MP2000, MP3000, MP3500
⊙	LAWN MP ROTATOR	HUNTER	MP ROTATOR	MP1000, MP2000, MP3000, MP3500
⊙	4" POP UP MP ROTATOR CORNER STRIP	HUNTER	STRIP SERIES	MP1C515 IVORY MPRCS515 COPPER MPSS330 BROWN
⊙	4" POP UP MP ROTATOR CORNER	HUNTER	CORNER SERIES	MP CORNER SERIES ADJUSTABLE ARC 8"-15"
⊙	ROTOR HEAD	HUNTER	PGP SERIES	#9 NOZZLES
M	WATER METER	---	PER CITY	Refer to Plan for Size
⌘	DOUBLE CHECK VALVE	Febeo	850-BV Series	Refer to Plan for Size
I	ISOLATION VALVE	Nibeo	*T-113	Line Size
Y	WYE STRAINER	Febeo	*850	Refer to Plan for Size
M	MASTER VALVE	Hunter	ICV-101G ICV-151G	Refer to Plan for Size
---	IRRIGATION SLEEVE	---	SCH. 40 w/ 12 GA. PULL WIRE IN SLEEVE	Refer to Plan for Size
---	IRRIGATION MAIN LINE	---	SCH. 40	Refer to Plan for Size
---	IRRIGATION LATERAL LINE	---	CLASS 200	Refer to Plan for Size

- ⊙ PROGRAM AND STATION NUMBER FOR AUTOMATIC CONTROLLER
- ⊙ VALVE SIZE IN INCHES
- ⊙ GALLONS PER MINUTE, PER VALVE

REFER TO SHEET IR10 FOR FULL IRRIGATION LEGEND AND SCHEDULE

NOTE:
ALL LATERAL LINES SHALL BE 3/4" CLASS 200 PVC UNLESS OTHERWISE NOTED ON PLANS.

ZONE VALVES LABELED AS "OPEN" ARE INTENDED FOR THE USE OF SUPPLYING HUNTER AFB-ADJ TREE BUBBLERS ON EACH PROPOSED TREE. IRRIGATION CONTRACTOR SHALL FIELD VERIFY THAT THESE ZONES DO NOT EXCEED 20 GALLONS PER MINUTE. THE IRRIGATION CONTRACTOR SHALL STAKE EACH TREE BUBBLER HEAD LOCATION AND RECEIVE APPROVAL FROM THE OWNER AND/OR THE OWNER'S REPRESENTATIVE PRIOR TO INSTALLATION.

CODY JOHNSON
s.t.u.d.i.o

9720 COTT ROAD SUITE 220-333 PLANO, TEXAS 75025
PH: (972) 570-0162
EMAIL: CODY@CODYJOHNSONSTUDIO.COM

STATE OF TEXAS
CODY L. JOHNSON
17132
REGISTERED PROFESSIONAL ENGINEER
SEPTEMBER 23, 2019

NORTH

20 10 0 10 20
Scale: 1" = 20'-0"

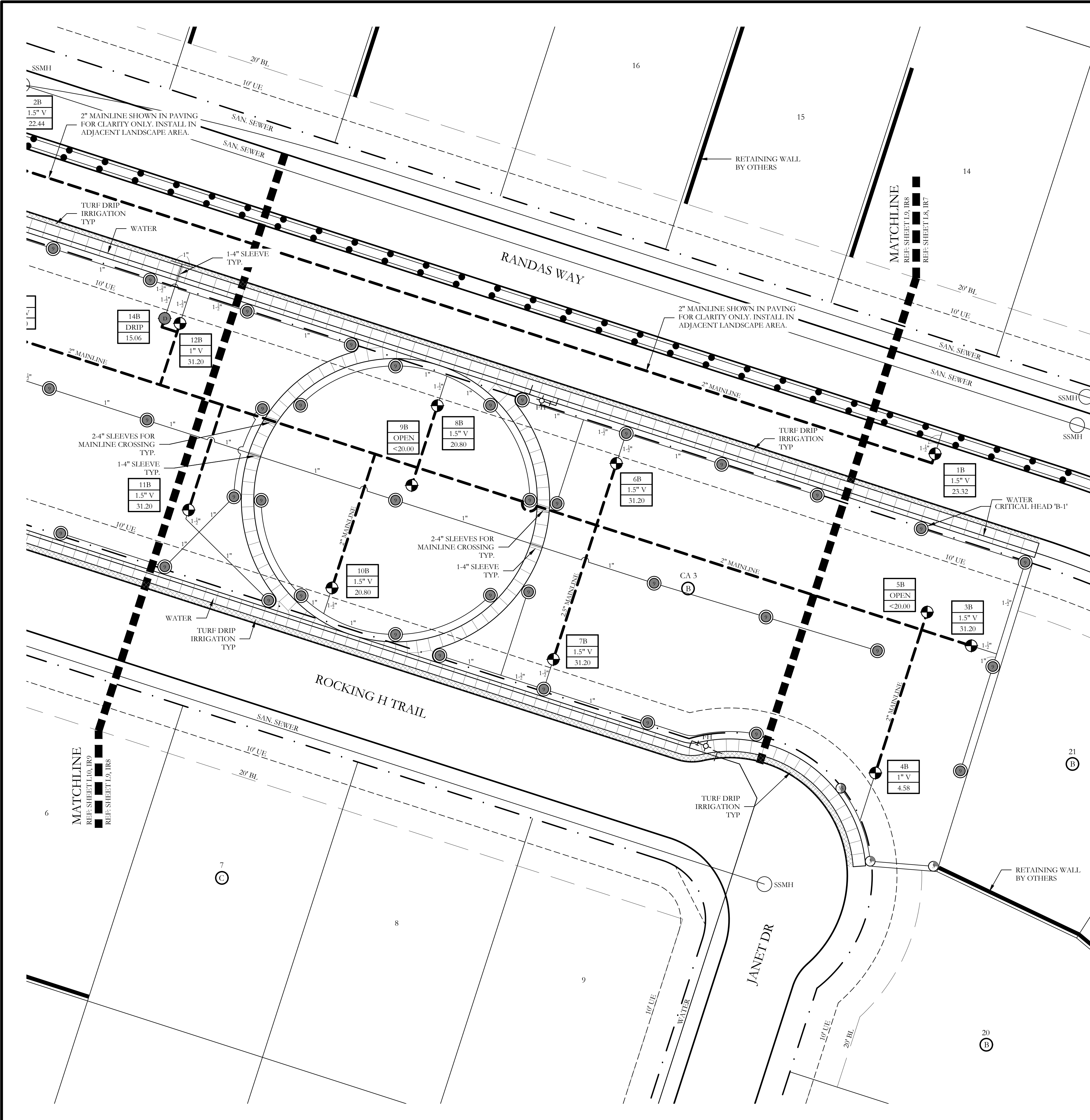
Bar is one inch on original drawing. If not one inch on this sheet, adjust scale as necessary.

One Inch

SCREENING AND BUFFERING
Irrigation Plan
Saddle Star Estates South - Phase 1
City of Rockwall, Rockwall County, Texas

CJS PROJECT NO.
PAD001

SHEET NO.
IR7 of 11



IRRIGATION LEGEND AND SCHEDULE

SYM	DESCRIPTION	MANUFACTURER	MODEL	SIZE / NOZZLE
C	AUTOMATIC CONTROLLER	HUNTER	REFER TO PLANS	N/A
⊙	DRIP IRRIGATION CONTROL VALVE	HUNTER	ICZ-101	1"
▨	DRIP IRRIGATION (LANDSCAPE BEDS)	HUNTER	PLD-06-18	N/A
▩	DRIP IRRIGATION (TURF BEDS)	HUNTER	PLD-06-12	N/A
⊙	DRIP IRRIGATION	HUNTER	AFB-ADJ BUBBLER (0.5 GPM EACH BUBBLER)	1/2"
⊕	REMOTE CONTROL VALVE	HUNTER	ICV-101G ICV-151G	Refer to Plan for Size
⊙	SHRUB MP ROTATOR	HUNTER	12" RAISED MP ROTATOR	MP1000, MP2000, MP3000, MP3500
⊙	LAWN MP ROTATOR	HUNTER	MP ROTATOR	MP1000, MP2000, MP3000, MP3500
⊙	4" POP UP MP ROTATOR CORNER STRIP	HUNTER	STRIP SERIES	MP1C515 IVORY MPRC5515 COPPER MPSS530 BROWN
⊙	4" POP UP MP ROTATOR CORNER	HUNTER	CORNER SERIES	MP CORNER SERIES ADJUSTABLE ARC 8"-15"
⊙	ROTOR HEAD	HUNTER	PGP SERIES	#9 NOZZLES
M	WATER METER	---	PER CITY	Refer to Plan for Size
⌘	DOUBLE CHECK VALVE	Febeo	850-BV Series	Refer to Plan for Size
I	ISOLATION VALVE	Nibeo	*T-113	Line Size
Y	WYE STRAINER	Febeo	*850	Refer to Plan for Size
M	MASTER VALVE	Hunter	ICV-101G ICV-151G	Refer to Plan for Size
---	IRRIGATION SLEEVE	---	SCH. 40 w/ 12 GA. PULL WIRE IN SLEEVE	Refer to Plan for Size
---	IRRIGATION MAIN LINE	---	SCH. 40	Refer to Plan for Size
---	IRRIGATION LATERAL LINE	---	CLASS 200	Refer to Plan for Size

- ⊙ PROGRAM AND STATION NUMBER FOR AUTOMATIC CONTROLLER
- ⊙ VALVE SIZE IN INCHES
- ⊙ GALLONS PER MINUTE, PER VALVE

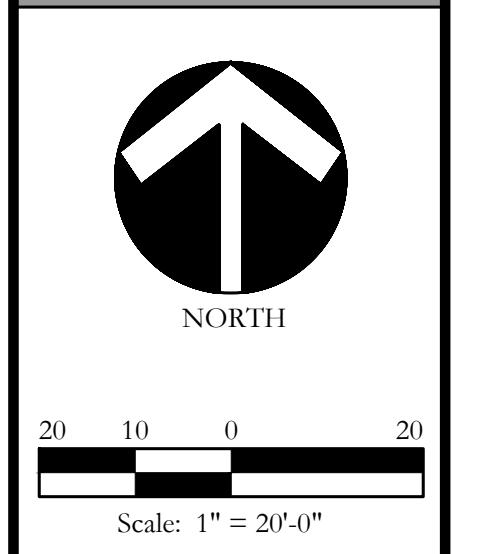
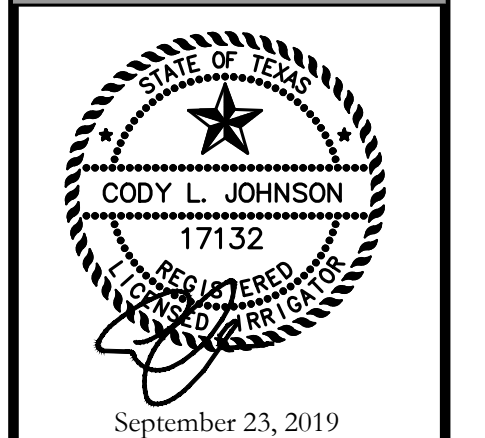
REFER TO SHEET IR10 FOR FULL IRRIGATION LEGEND AND SCHEDULE

NOTE:
ALL LATERAL LINES SHALL BE 3/4" CLASS 200 PVC UNLESS OTHERWISE NOTED ON PLANS.

ZONE VALVES LABELED AS "OPEN" ARE INTENDED FOR THE USE OF SUPPLYING HUNTER AFB-ADJ TREE BUBBLERS ON EACH PROPOSED TREE. IRRIGATION CONTRACTOR SHALL FIELD VERIFY THAT THESE ZONES DO NOT EXCEED 20 GALLONS PER MINUTE. THE IRRIGATION CONTRACTOR SHALL STAKE EACH TREE BUBBLER HEAD LOCATION AND RECEIVE APPROVAL FROM THE OWNER AND/OR THE OWNER'S REPRESENTATIVE PRIOR TO INSTALLATION.

CODY JOHNSON
s.t.u.d.i.o

9720 COTT ROAD SUITE 220-333 PLANO, TEXAS 75025
PH: (972) 570-0162
EMAIL: CODY@CODYJOHNSONSTUDIO.COM

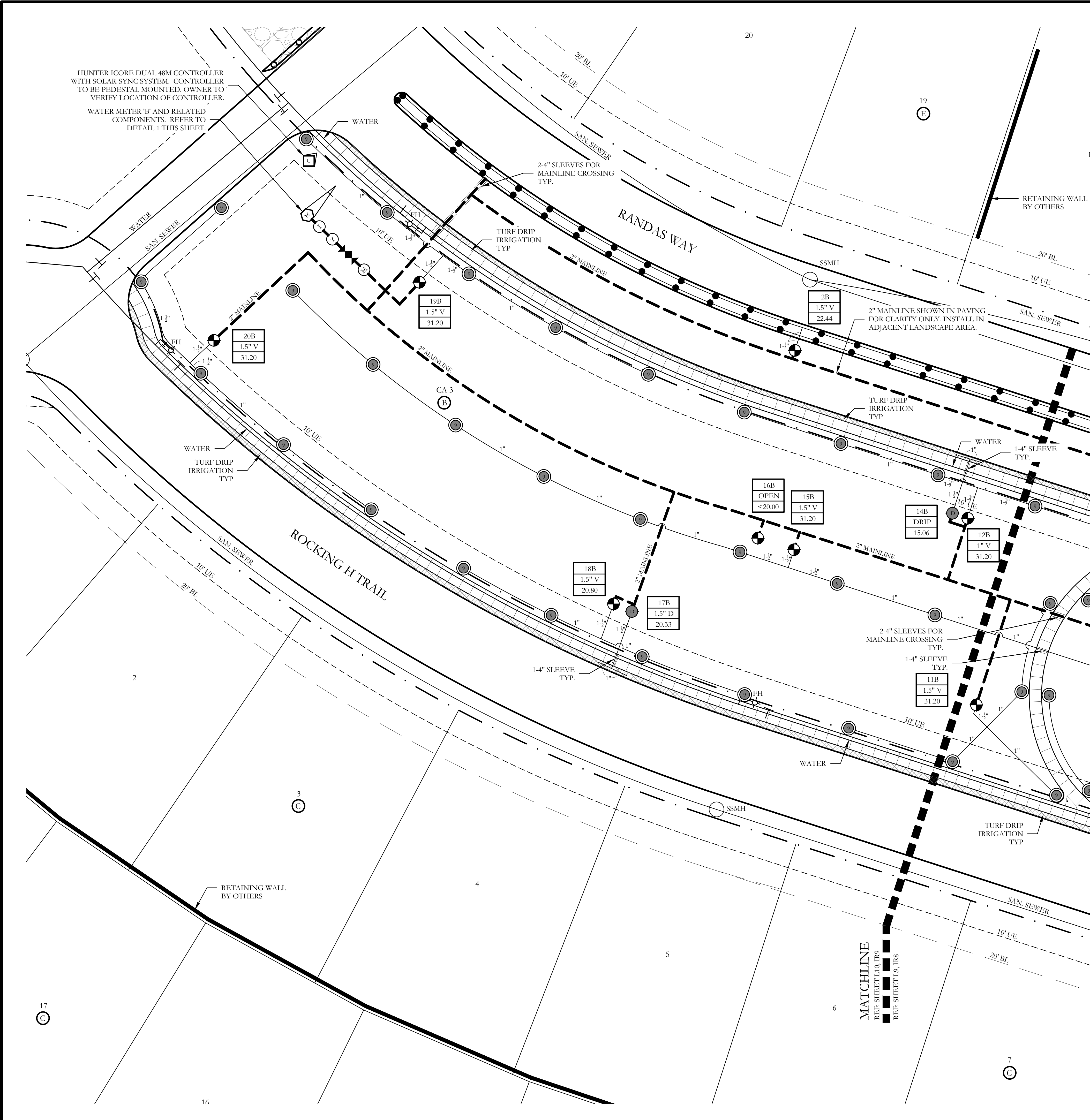


Bar is one inch on original drawing. If not one inch on this sheet, adjust scale as necessary.

One Inch

SCREENING AND BUFFERING
Irrigation Plan
Saddle Star Estates South - Phase 1
City of Rockwall, Rockwall County, Texas

CJS PROJECT NO.	PAD001
SHEET NO.	IR8 of 11



IRRIGATION LEGEND AND SCHEDULE

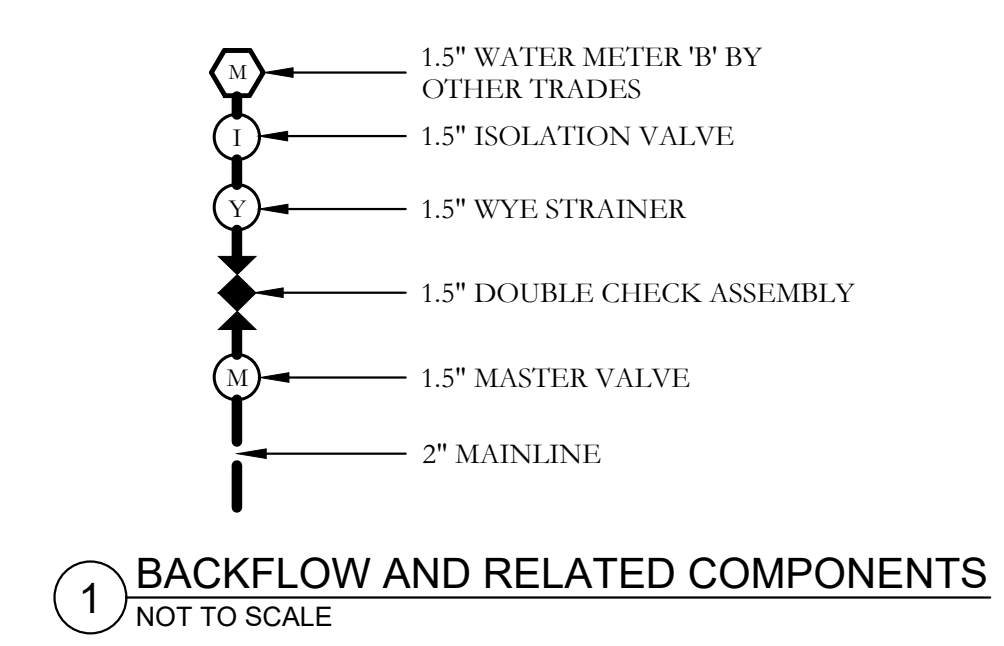
SYM	DESCRIPTION	MANUFACTURER	MODEL	SIZE / NOZZLE
[C]	AUTOMATIC CONTROLLER	HUNTER	REFER TO PLANS	N/A
[V]	DRIP IRRIGATION CONTROL VALVE	HUNTER	ICZ-101	1"
[L]	DRIP IRRIGATION (LANDSCAPE BEDS)	HUNTER	PLD-06-18	N/A
[T]	DRIP IRRIGATION (TURF BEDS)	HUNTER	PLD-06-12	N/A
[B]	DRIP IRRIGATION	HUNTER	AFB-ADJ BUBBLER (0.5 GPM EACH BUBBLER)	1/2"
[R]	REMOTE CONTROL VALVE	HUNTER	ICV-101G ICV-151G	Refer to Plan for Size
[S]	SHRUB MP ROTATOR	HUNTER	12" RAISED MP ROTATOR	MP1000, MP2000, MP3000, MP3500
[LAW]	LAWN MP ROTATOR	HUNTER	MP ROTATOR	MP1000, MP2000, MP3000, MP3500
[CORN]	4" POP UP MP ROTATOR CORNER STRIP	HUNTER	STRIP SERIES	MP1C515 IVORY MPRCS515 COPPER MPSS330 BROWN
[COR]	4" POP UP MP ROTATOR CORNER	HUNTER	CORNER SERIES	MP CORNER SERIES ADJUSTABLE ARC 8"-15"
[RHT]	ROTOR HEAD	HUNTER	PGP SERIES	#9 NOZZLES
[W]	WATER METER	---	PER CITY	Refer to Plan for Size
[D]	DOUBLE CHECK VALVE	Febeo	850-BV Series	Refer to Plan for Size
[I]	ISOLATION VALVE	Nibeo	*T-113	Line Size
[Y]	WYE STRAINER	Febeo	*850	Refer to Plan for Size
[M]	MASTER VALVE	Hunter	ICV-101G ICV-151G	Refer to Plan for Size
[S]	IRRIGATION SLEEVE	---	SCH. 40 w/ 12 GA. PULL WIRE IN SLEEVE	Refer to Plan for Size
[M]	IRRIGATION MAIN LINE	---	SCH. 40	Refer to Plan for Size
[L]	IRRIGATION LATERAL LINE	---	CLASS 200	Refer to Plan for Size

- [C] PROGRAM AND STATION NUMBER FOR AUTOMATIC CONTROLLER
- [V] VALVE SIZE IN INCHES
- [B] GALLONS PER MINUTE, PER VALVE

REFER TO SHEET IR10 FOR FULL IRRIGATION LEGEND AND SCHEDULE

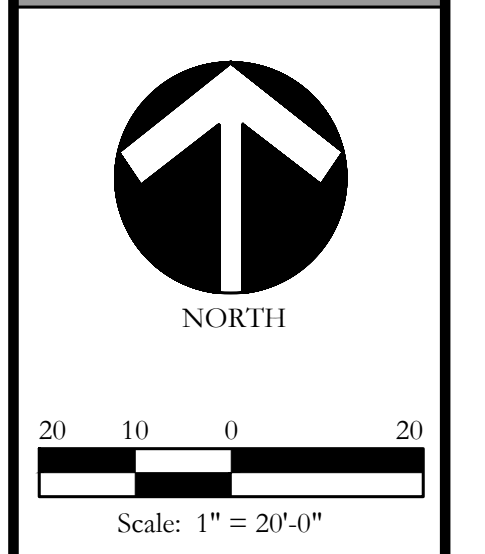
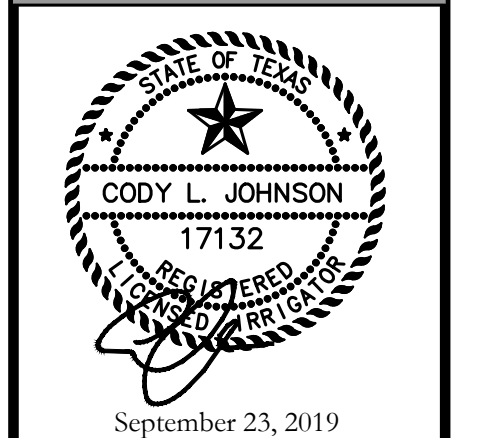
NOTE:
ALL LATERAL LINES SHALL BE 3/4" CLASS 200 PVC UNLESS OTHERWISE NOTED ON PLANS.

ZONE VALVES LABELED AS 'OPEN' ARE INTENDED FOR THE USE OF SUPPLYING HUNTER AFB-ADJ TREE BUBBLERS ON EACH PROPOSED TREE. IRRIGATION CONTRACTOR SHALL FIELD VERIFY THAT THESE ZONES DO NOT EXCEED 20 GALLONS PER MINUTE. THE IRRIGATION CONTRACTOR SHALL STAKE EACH TREE BUBBLER HEAD LOCATION AND RECEIVE APPROVAL FROM THE OWNER AND/OR THE OWNER'S REPRESENTATIVE PRIOR TO INSTALLATION.



CODY JOHNSON
s.t.u.d.i.o

9720 COTT ROAD SUITE 220-333 PLANO, TEXAS 75025
PH: (972) 570-0162
EMAIL: CODY@CODYJOHNSONSTUDIO.COM



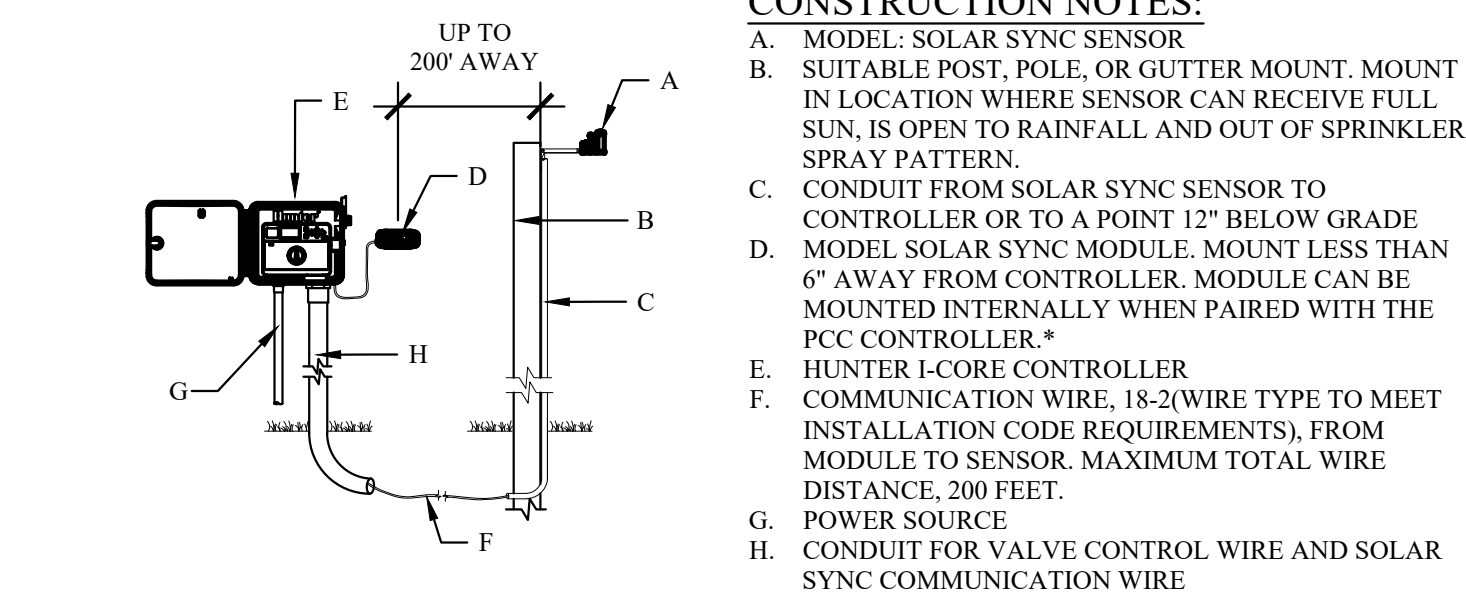
Bar is one inch on original drawing. If not one inch on this sheet, adjust scale as necessary.

SCREENING AND BUFFERING
Irrigation Plan
Saddle Star Estates South - Phase 1
City of Rockwall, Rockwall County, Texas

CJS PROJECT NO.
PAD001
SHEET NO.
IR9 of 11

TWO-WIRE IRRIGATION NOTES

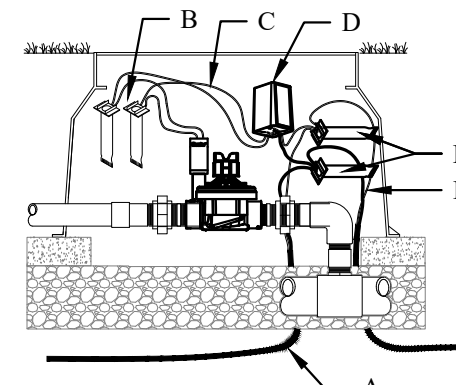
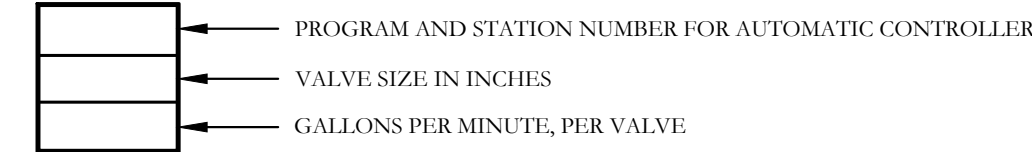
- PROVIDE A COMPLETE, FUNCTIONING AUTOMATIC IRRIGATION SYSTEM INCLUDING LABOR, MATERIALS, FEES, TAXES, EQUIPMENT, AND OTHER COSTS INCIDENTAL TO ACCOMPLISHING WORK. ACQUIRE WRITTEN APPROVAL FROM THE LANDSCAPE ARCHITECT OR LICENSED IRRIGATOR FOR MATERIAL SUBSTITUTES PRIOR TO BEGINNING INSTALLATION.
- FORTY EIGHT (48) HOURS BEFORE IRRIGATION CONSTRUCTION BEGINS, IRRIGATION CONTRACTOR MUST CALL (800) DIG-TESS AND IS RESPONSIBLE FOR LOCATING EXISTING UNDERGROUND UTILITIES AND/OR OBSTACLES PRIOR TO BEGINNING WORK. ANY DAMAGE TO UTILITIES AND/OR FINISHES FROM INFERIOR WORKMANSHIP BY THE IRRIGATION CONTRACTOR SHALL BE REPAIRED AT NO ADDITIONAL COST TO THE OWNER.
- PIPING IS DIAGRAMMATIC AND SHOWN FOR CLARITY ONLY. ADJUST AS REQUIRED FOR EXISTING UTILITIES, OBSTRUCTIONS, TREE ROOT BALLS, ETC. PIPING AND VALVES SHOWN IN PAVING FOR CLARITY ONLY AND SHALL BE INSTALLED IN ADJACENT LANDSCAPE AREA. COORDINATE WITH THE CITY OR ENTITY INSPECTING THE IRRIGATION SYSTEM AND DETERMINE THE LOCAL RULES AND CODES TO ABIDE BY REGARDING MAINLINE AND LATERAL PIPING LOCATIONS.
- COORDINATE SLEEVE AND CONDUIT REQUIREMENTS WITH GENERAL CONTRACTOR. IRRIGATION SLEEVES SHALL BE AS FOLLOWS:
 - SLEEVES INTENDED FOR LATERAL LINES ARE TO BE ONE-FOUR INCH SLEEVE AND ARE TO BE NO MORE THAN A DEPTH OF TWO FEET BELOW TOP OF CURB. SLEEVES SHOULD EXTEND A MINIMUM OF 2'-0" BEYOND BACK OF CURB.
 - SLEEVES INTENDED FOR THE 2.5" & 2" MAINLINE ARE TO BE TWO-FOUR INCH SLEEVES BY SIDE AND ARE TO BE NO MORE THAN A DEPTH OF TWO FEET BELOW TOP OF CURB. SLEEVES SHOULD EXTEND A MINIMUM OF 2'-0" BEYOND BACK OF CURB.
- LOCATE EACH END OF IRRIGATION SLEEVES DIMENSIONALLY ON THE RECORD "AS BUILT" DRAWINGS.
- THE IRRIGATION CONTRACTOR SHALL COORDINATE THE INSTALLATION OF THE IRRIGATION SYSTEM WITH THE LANDSCAPE CONTRACTOR TO ENSURE ALL PLANT MATERIAL WILL BE WATERED IN ACCORDANCE WITH THE INTENT OF THE PLANS AND SPECIFICATIONS.
- THE IRRIGATION CONTRACTOR SHALL BE RESPONSIBLE FOR DAMAGE TO PLANT MATERIAL DUE TO SYSTEM FAILURE FROM INFERIOR WORKMANSHIP FOR THE DURATION OF THE INSTALLATION OF PLANT MATERIAL AND MAINTENANCE PERIOD FOLLOWING INSTALLATION.
- THE IRRIGATION CONTRACTOR SHALL PROVIDE ALL LABOR AND MATERIAL NECESSARY TO HAND DIG WITHIN ALL EXISTING TREE DRIFLINE ZONES AT NO ADDITIONAL COST TO THE OWNER. THE IRRIGATION CONTRACTOR SHALL BE RESPONSIBLE TO STAKE AND RECEIVE APPROVAL FROM ALL DISCIPLINES PRIOR TO AN TRENCHING AND HAND DIGGING IN AREAS OF EXISTING TREE COVERAGE OR ANY ADDITIONAL AREAS THAT MIGHT BE QUESTIONABLE.
- EXTEND EXTRA WIRE AND MAINLINE PAST THE FARTHEST VALVE, ROUTED PARALLEL AND PLACE IN 12"x17" PENTEK VALVE BOX WERE NOTED ON PLANS FOR FUTURE EXPANSION OF IRRIGATION SYSTEM AT A LATER DATE.
- TWO WIRE PATH SHALL BE DIRECT BURIAL, 14 AWG OR STANDARD DECODER CABLE BY HUNTER WITH YELLOW JACKET (DIYLV), RATED FOR DIRECT BURIAL APPLICATIONS, UF, UL, APPROVED. HUNTER ICD DECODERS SHALL BE USED ON ALL ZONE VALVE CONNECTIONS TO TWO WIRE PATH. CONTRACTOR TO USE MANUFACTURER'S RECOMMENDATIONS OF WIRE SPLICING AND BURIAL TECHNIQUES AS DETAILED AT WWW.HUNTERINDUSTRIES.COM.
- THE OWNER AND/OR LANDSCAPE ARCHITECT SHALL DETERMINE THE FINAL CONTROLLER LOCATION. THE IRRIGATION CONTRACTOR SHALL MAKE FINAL ELECTRICAL CONNECTION OF CONTROLLER PER LOCAL ELECTRICAL CODE. PROVIDE ALL NECESSARY FUSE BOXES, CONDUIT, FITTINGS, CONNECTORS OR OTHER ELECTRICAL DEVICES TO MAKE CONNECTION. OWNER SHALL PROVIDE ELECTRICAL SERVICE WITHIN 10 LINEAR FEET OF CONTROLLER LOCATION UNLESS NOTED OTHERWISE ON DRAWINGS.
- CONNECT REMOTE SENSORS TO CONTROLLER WITH GROUND WIRE IN SERIES PRIOR TO CONNECTING TO REMOTE CONTROL VALVES.
- ALL P.V.C. MAINLINES AND LATERAL LINES SHALL RECEIVE AS FOLLOWS:
 - 18" MINIMUM COVER FOR MAIN LINES
 - 18" MINIMUM COVER FOR PIPING LOCATED UNDER PAVING
 - 12" MINIMUM COVER FOR LATERAL LINES
- THE MINIMUM DISTANCE BETWEEN THE MAINLINE AND LATERAL LINE FITTINGS (EXCEPT FOR REDUCER BUSHINGS) SHALL BE 18".
- THE MINIMUM HORIZONTAL DISTANCE OF 36" SHALL BE MAINTAINED BETWEEN ANY VALVES THAT ARE INSTALLED SIDE BY SIDE.
- WHERE SERVICE TREES ARE INSTALLED ON THE MAINLINE FOR INSTALLATION OF THE ELECTRIC VALVES AND/OR QUICK COUPLING VALVES, THE CONTRACTOR SHALL LIMIT THE NUMBER OF THESE PER SERVICE TREE. DO NOT INSTALL MORE THAN A TOTAL OF EITHER THREE ELECTRIC VALVES OR A COMBINATION OF TWO ELECTRIC VALVES AND ONE QUICK COUPLER VALVE AT EACH TREE. THE MINIMUM DISTANCE BETWEEN FITTINGS SHALL BE 18" AS REFERENCED IN THE ABOVE NOTES.
- ALL PVC PIPE AND FITTINGS ARE TO BE PRIMED WITH PURPLE PVC PRIMER SOLVENT BEFORE APPLYING PVC CEMENT IN ACCORDANCE WITH THE UNIFORM PLUMBING CODE.
- INSTALL QUICK COUPLING VALVES IN 12"x17" PENTEK VALVE BOXES PER DETAIL SHOWN. CONNECT QUICK COUPLING VALVES TO MAINLINE PIPE WITH LASCO UNITIZED, O-RING SWING JOINTS PER DETAIL SHOWN, #T722-22. SUPPLY OWNER WITH THREE COUPLER KEYS WITH SWIVEL HOSE BIBB EACH, #53DK-10 AND #SH-0 RESPECTIVELY. VALVES TO BE INSTALLED SO THAT THE TOP OF THE QUICK COUPLER IS 2" BELOW BOTTOM OF VALVE BOX LID. PURPLE LID SHALL READ "NON-POTABLE, NOT SAFE FOR DRINKING" IN ENGLISH AND SPANISH.
- ALL LATERAL LINES SHALL BE 3/4" CLASS 200 PVC UNLESS OTHERWISE NOTED ON PLANS.
- ZONE VALVES LABELED AS "OPEN" ARE INTENDED FOR THE USE OF SUPPLYING HUNTER AFB-ADJ TREE BUBBLERS ON EACH PROPOSED TREE. IRRIGATION CONTRACTOR SHALL FIELD VERIFY THAT THESE ZONES DO NOT EXCEED 20 GALLONS PER MINUTE. THE IRRIGATION CONTRACTOR SHALL STAKE EACH TREE BUBBLER HEAD LOCATION AND RECEIVE APPROVAL FROM THE OWNER AND/OR THE OWNER'S REPRESENTATIVE PRIOR TO INSTALLATION.
- ALL STATE OF TEXAS LAWS/RULES AND ALL LOCAL CODES/ORDINANCES AREA MADE PART OF THESE PLANS AND SPECIFICATIONS WHETHER SHOWN OR NOT. THESE LAWS AND ORDINANCES WILL SUPERCEDE THE PLANS, DETAILS, AND/OR SPECIFICATIONS FOR THIS PROJECT. THE IRRIGATION CONTRACTOR IS CALLED UPON THAT HE/SHE IS TO INCLUDE ANY AND ALL COST NECESSARY TO MEET OR EXCEED THE LAWS OF THE STATE OF TEXAS AND LOCAL CODES CONCERNING LANDSCAPE IRRIGATION.
- INCLUDE THE FOLLOWING ALLOWANCES FOR PROVIDING AND INSTALLING AIR RELIEF VALVES AND FLUSH VALVES FOR THE DRIP SYSTEM. EXACT QUANTITY AND LOCATION OF THESE DEVICES WILL BE DETERMINED AT THE TIME OF INSTALLATION. IN GENERAL, ALL AIR RELIEF VALVES WILL BE INSTALLED AT THE HIGH POINTS AND FLUSH VALVES WILL BE INSTALLED AT THE LOW POINTS OF EXHAUST HEADER. ALLOW FOR APPROXIMATELY (1) AIR RELIEF AND APPROXIMATELY ONE (1) FLUSH VALVE FOR EACH DRIP ZONE KIT.
- INCLUDE THE FOLLOWING ALLOWANCE FOR PROVIDING AND INSTALLING DRIP INDICATOR FOR THE DRIP SYSTEM. LOCATION OF DRIP INDICATOR SHOULD BE CENTERED IN DRIP ZONE.



SOLAR SYNC SYSTEM (I-CORE CONTROLLER)
NOT TO SCALE

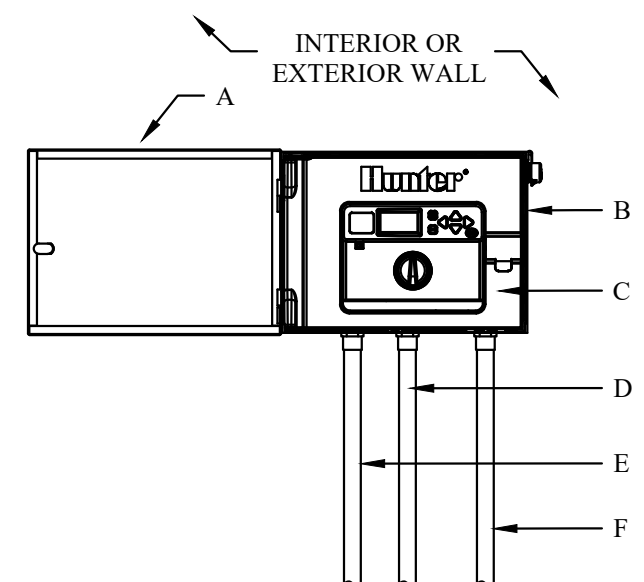
IRRIGATION LEGEND AND SCHEDULE

SYM	DESCRIPTION	MANUFACTURER	MODEL	SIZE / NOZZLE	NOTES
	AUTOMATIC CONTROLLER	HUNTER	REFER TO PLANS	N/A	INSTALL PER MANUFACTURER'S STANDARDS. IN ADDITION, INSTALL SOLAR-SYNC SYSTEM BY HUNTER.
	DRIP IRRIGATION CONTROL VALVE	HUNTER	ICZ-101	1"	INSTALL PER DETAIL IN 10" ROUND BOX W/ BOLT DOWN LID. ROUT AND PAINT VALVE NUMBER ON LID.
	DRIP IRRIGATION (LANDSCAPE BEDS)	HUNTER	PLD-06-18	N/A	INSTALL PER DETAIL W/ 40 PSI AT OUTFLOW OF DRIP ZONE VALVE.
	DRIP IRRIGATION (TURF BEDS)	HUNTER	PLD-06-12	N/A	INSTALL PER DETAIL W/ 40 PSI AT OUTFLOW OF DRIP ZONE VALVE.
	DRIP IRRIGATION	HUNTER	AFB-ADJ BUBBLER (0.5 GPM EACH BUBBLER)	1/2"	INSTALL PER DETAIL W/ 40 PSI AT BASE OF HEAD. INSTALL 1.0 GPM/LARGE SHADE TREE AND 0.5 GPM/ORN. TREES INSTALL ON ALL PROPOSED TREES, SEE LANDSCAPE PLANS.
	REMOTE CONTROL VALVE	HUNTER	ICV-101G ICV-151G	Refer to Plan for Size	INSTALL PER DETAIL IN 10" ROUND PENTEK VALVE BOX WITH BOLT DOWN LID. ROUT AND PAINT VALVE NUMBER ON LID.
	SHRUB MP ROTATOR	HUNTER	12" RAISED MP ROTATOR	MP1000, MP2000, MP3000, MP3500	INSTALL PER DETAIL W/ 40 PSI AT BASE OF HEAD. INSTALL ON IPS FLEX PIPE ALL SPRAY BODIES. INSTALL NOZZLES ON 12" PRS40 SPRAY BODIES W/ 1/2" STEM EXTENSION.
	LAWN MP ROTATOR	HUNTER	MP ROTATOR	MP1000, MP2000, MP3000, MP3500	INSTALL PER DETAIL W/ 40 PSI AT BASE OF HEAD. INSTALL ON IPS FLEX PIPE ALL SPRAY BODIES. INSTALL NOZZLES ON 4" PRS40 SPRAY BODIES.
	4" POP UP MP ROTATOR CORNER STRIP	HUNTER	STRIP SERIES	MPLC515 IVORY MPCRS315 COPPER MPS530 BROWN	INSTALL PER DETAIL W/ 40 PSI AT BASE OF HEAD. INSTALL ON IPS FLEX PIPE ALL SPRAY BODIES. INSTALL NOZZLES ON 4" PRS40 SPRAY BODIES.
	4" POP UP MP ROTATOR CORNER	HUNTER	CORNER SERIES	MP CORNER SERIES ADJUSTABLE ARC 8-15'	INSTALL PER DETAIL W/ 40 PSI AT BASE OF HEAD. INSTALL ON IPS FLEX PIPE ALL SPRAY BODIES. INSTALL NOZZLES ON 4" PRS40 SPRAY BODIES.
	ROTOR HEAD	HUNTER	PGP SERIES	#9 NOZZLES	INSTALL PER DETAIL W/ 50 PSI AT BASE OF HEAD. INSTALL LASCO T732-212 SWING JOINTS (OR APPROVED EQUAL) ON ALL ROTORS.
	WATER METER	---	PER CITY	Refer to Plan for Size	INSTALLED BY GENERAL CONTRACTOR
	DOUBLE CHECK VALVE	Febo	850-BV Series	Refer to Plan for Size	FURNISH AND INSTALL PER LOCAL CODE BY LICENSED IRRIGATION CONTRACTOR.
	ISOLATION VALVE	Nibco	*T-113	Line Size	INSTALL PER DETAIL IN 12"x17" PENTEK VALVE BOX WITH BOLT DOWN LID.
	WYE STRAINER	Febo	*850	Refer to Plan for Size	INSTALL PER DETAIL IN 12"x17" PENTEK VALVE BOX WITH BOLT DOWN LID.
	MASTER VALVE	Hunter	ICV-101G ICV-151G	Refer to Plan for Size	INSTALL PER DETAIL IN 12"x17" PENTEK VALVE BOX WITH BOLT DOWN LID.
	IRRIGATION SLEEVE	---	SCH. 40 w/ 12 GA. PULL WIRE IN SLEEVE	Refer to Plan for Size	DRIVEWAY SLEEVES INSTALLED BY GENERAL CONTRACTOR. SIDEWALK SLEEVES INSTALLED BY IRRIGATION CONTRACTOR.
	IRRIGATION MAIN LINE	---	SCH. 40	Refer to Plan for Size	18" INSTALLATION DEPTH.
	IRRIGATION LATERAL LINE	---	CLASS 200	Refer to Plan for Size	12" INSTALLATION DEPTH STANDARD. 18" INSTALLATION DEPTH UNDER PAVING.



- CONSTRUCTION NOTES:**
- JACKETED ID WIRE PATH TWISTED TO NEXT DECODER
 - DBY-2
 - TWO BLACK WIRES TO VALVE SOLENOID/ UP TO 100 FT/30M
 - MODEL DUAL-1 DECODER
 - DBRT-6 (2)
 - JACKETED ID WIRE PATH FROM CONTROLLER ALLOW 5 FT/1.5M SLACK PER DECODER/1/3 ON EITHER SIDE OF DECODER.

DUAL-1 DECODER
NOT TO SCALE



- CONSTRUCTION NOTES:**
- MINIMUM CLEARANCE FOR DOOR OPENING
 - MODEL IC-XX00-M
 - DUAL 48M DECODER OUTPUT MODULE ADDED TO CONTROLLER
 - JACKETED ID WIRE IN ELECTRICAL CONDUIT. SIZE AND TYPE PER LOCAL CODE
 - 1/2" POWER SUPPLY CONDUIT I-BOX INSIDE CONTROLLER CONNECT PER LOCAL CODE
 - CONDUIT FOR GROUND WIRE. GROUNDING HARDWARE TO BE LOCATED MINIMUM OF 8" FROM CONTROLLER AT A RIGHT ANGLE TO THE TWO WIRE PATH.

NOTE
MOUNT CONTROLLER WITH LCD SCREEN AT EYE LEVEL. CONTROLLER SHALL BE HARD-WIRED TO GROUNDED 110 OR 220 VAC SOURCE.

I-CORE DECODER METAL CONTROLLER
NOT TO SCALE

HYDRAULIC CALCULATION NOTES

TEN DAYS PRIOR TO COMMENCING WORK, VERIFY STATIC PRESSURE. IF STATIC PRESSURE IS LESS THAN THE ASSUMED STATIC PRESSURE DO NOT START WORK UNTIL NOTIFIED IN WRITING TO PROCEED BY OWNER. IF CONTRACTOR PROCEEDS WITH WORK WITHOUT AUTHORIZATION FROM OWNER, THE CONTRACTOR SHALL BE FINANCIALLY RESPONSIBLE TO CORRECT, MODIFY OR REPAIR ANY ITEMS OR MATERIALS THAT MAY BE REQUIRED TO PROVIDE A FULLY FUNCTIONING AND OPERATIONAL IRRIGATION SYSTEM IN COMPLIANCE WITH THE PLANS AND SPECIFICATIONS. HYDRAULIC CALCULATIONS FOR THIS SYSTEM ARE BASED ON THE STATIC PRESSURE AS STATED ABOVE. THE STATIC PRESSURE SHOWN IS AN ASSUMED PRESSURE, A PRESSURE MEASURED AT THE SITE, OR AN ESTIMATED PRESSURE PROVIDED BY THE COUNTY OR CITY. THE OWNER UNDERSTANDS THIS PROJECT MAY NOT PROVIDE 100% COVERAGE AT ALL TIMES.

HYDRAULIC CALCULATION (FARTHEST HEAD)

ITEM	SIZE	PSI	NOTES
SERVICE	1.5"	0.09	TYPE "K" COPPER 20 LN. FT. (18.92 GPM)
WATER METER	2"	0.70	(18.92 GPM)
BALL VALVE	2"	1.00	(18.92 GPM)
WYE FILTER	2"	0.30	(18.92 GPM)
BACKFLOW PREVENTER	2"	4.00	(18.92 GPM)
MASTER VALVE	1.5"	1.50	(18.92 GPM)
MAIN LINE	2.5" & 2"	7.37	1380 LF (18.92 GPM -2.5"), 515 LF (18.92 GPM -2")
ZONE VALVE (1A)	1"	1.50	(18.92 GPM)
LATERAL PIPING	N/A	2.31	
CRITICAL HEAD 'A-1'	N/A	40.00	
TOTAL LOSS		58.77	
ASSUMED STATIC PRESSURE		70.00	
PRESSURE DIFFERENTIAL		-11.23	

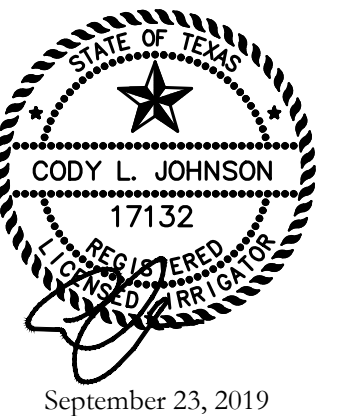
HYDRAULIC CALCULATION (LARGEST ZONE)

ITEM	SIZE	PSI	NOTES
SERVICE	2"	0.44	TYPE "K" COPPER 20 LN. FT. (44.31 GPM)
WATER METER	2"	1.60	(44.31 GPM)
BALL VALVE	2"	1.00	(44.31 GPM)
WYE FILTER	2"	0.30	(44.31 GPM)
BACKFLOW PREVENTER	2"	4.00	(44.31 GPM)
MASTER VALVE	1.5"	2.20	(44.31 GPM)
MAIN LINE	2.5"	10.51	790 LINEAR FEET (44.31 GPM)
ZONE VALVE (19A)	2"	1.20	(44.31 GPM)
LATERAL PIPING	N/A	4.67	
CRITICAL HEAD 'A-2'	N/A	40.00	
TOTAL LOSS		65.92	
ASSUMED STATIC PRESSURE		70.00	
PRESSURE DIFFERENTIAL		-4.08	

HYDRAULIC CALCULATION (FARTHEST HEAD)

ITEM	SIZE	PSI	NOTES
SERVICE	1.5"	0.88	TYPE "K" COPPER 20 LN. FT. (31.20 GPM)
WATER METER	1.5"	2.10	(31.20 GPM)
BALL VALVE	1.5"	1.00	(31.20 GPM)
WYE FILTER	1.5"	0.30	(31.20 GPM)
BACKFLOW PREVENTER	1.5"	4.00	(31.20 GPM)
MASTER VALVE	1.5"	1.70	(31.20 GPM)
MAIN LINE	2"	10.13	625 LINEAR FEET (31.20 GPM)
ZONE VALVE (3B)	1.5"	1.70	(31.20 GPM)
LATERAL PIPING	N/A	1.89	
CRITICAL HEAD 'B-1'	N/A	40.00	
TOTAL LOSS		63.69	
ASSUMED STATIC PRESSURE		70.00	
PRESSURE DIFFERENTIAL		-6.31	

CODY JOHNSON
s . t . u . d . i . o

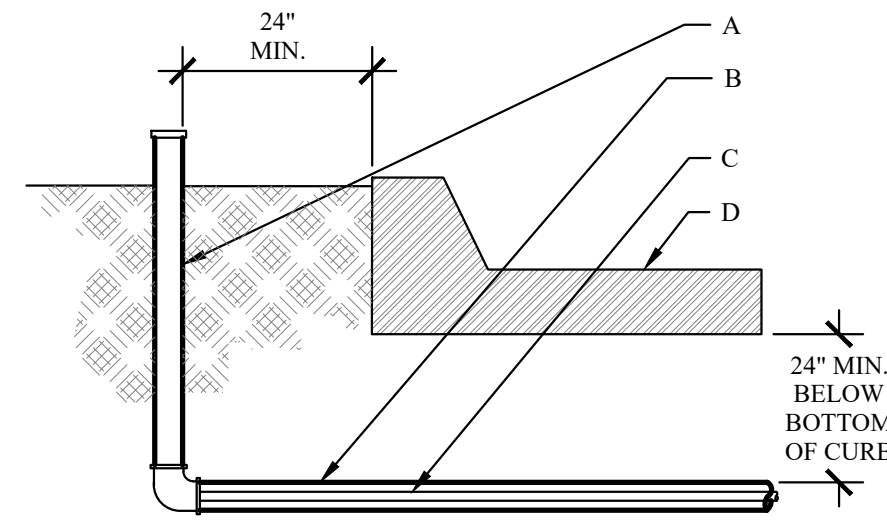


September 23, 2019

Bar is one inch on original drawing. If not one inch on this sheet, adjust scale as necessary.
One Inch

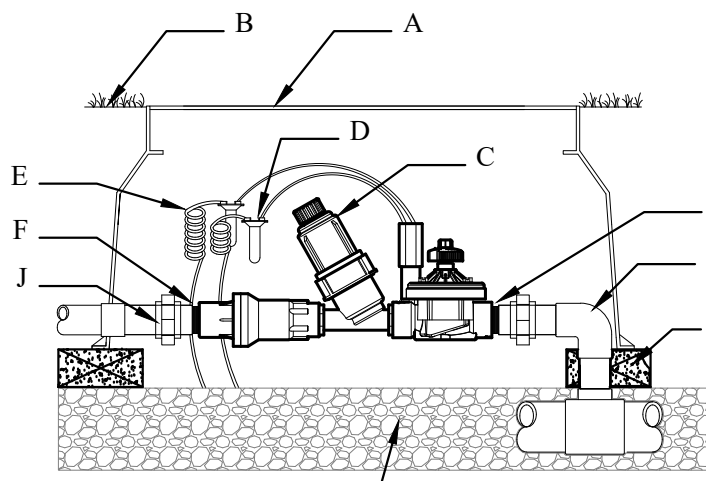
SCREENING AND BUFFERING
Irrigation Details
Saddle Star Estates South - Phase 1
City of Rockwall, Rockwall County, Texas

CJS PROJECT NO.
PAD001
SHEET NO.
IR10 of 11



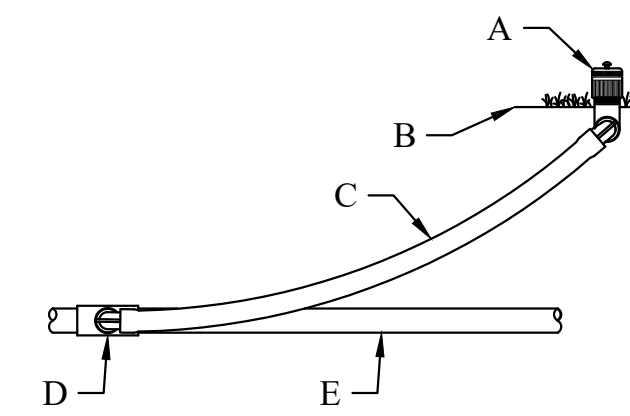
- GENERAL NOTES:**
- NO DIRECT CONNECTION TO SLEEVE SHALL BE ALLOWED. SLEEVE SIZE SHALL BE TWO (2) SIZES LARGER THAN THE PIPE TO BE SLEEVED.
 - MARK HARDSCAPE WITH SYMBOL "SS" TO INDICATE THAT A SLEEVE IS BELOW.
 - INSTALL WIRING IN SEPARATE SLEEVE FROM LATERAL AND MAINLINE PIPING.
- CONSTRUCTION NOTES:**
- TEMPORARY RISER AND CAP.
 - SCH 40 PVC IRRIGATION SLEEVE - SEE PLAN.
 - PVC MAINLINE, LATERAL OR WIRING - SEE PLAN.
 - PAVING.

IRRIGATION SLEEVES
NOT TO SCALE



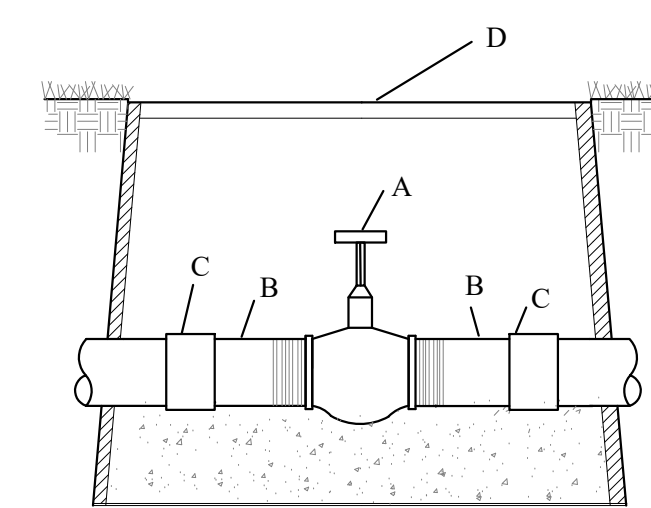
- CONSTRUCTION NOTES:**
- JUMBO VALVE BOX
 - FINISH GRADE
 - DRIP ZONE KIT, MODEL ICZ-101
 - WATERPROOF CONNECTORS (2)
 - 18-24" COILED WIRE
 - SCH 80 T.O.W. NIPPLE
 - MAINLINE PIPING AND FITTINGS
 - BRICK SUPPORTS (4)
 - 3/4" MINUS WASHED GRAVEL
 - PVC SLIP UNIONS (2)

DRIP CONTROL ZONE
NOT TO SCALE



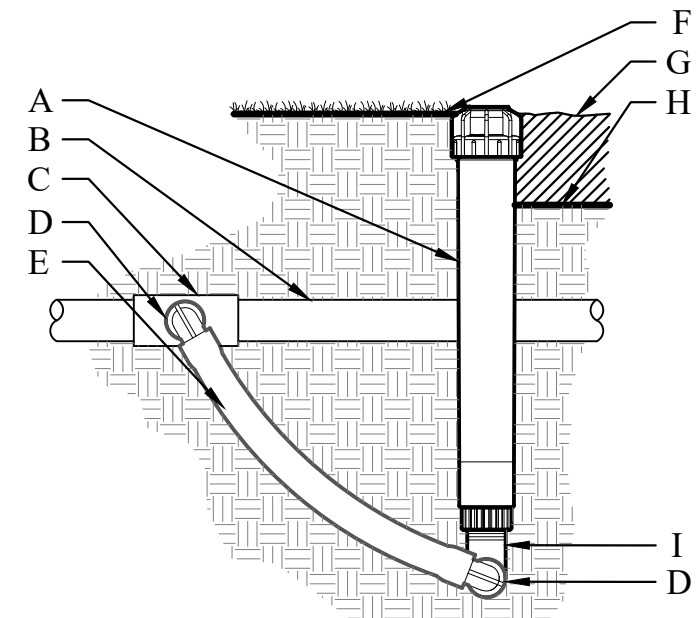
- CONSTRUCTION NOTES:**
- MODEL AFB BUBBLER
 - FINISH GRADE
 - SWING JOINT: HUNTER "PRO-FLEX" TUBING 24"-36", HSBE-050 ELBOWS (2), & MARLEX STREET ELBOW (1)
 - LATERAL TEE OR ELL
 - LATERAL PIPE

AFB BUBBLER
NOT TO SCALE



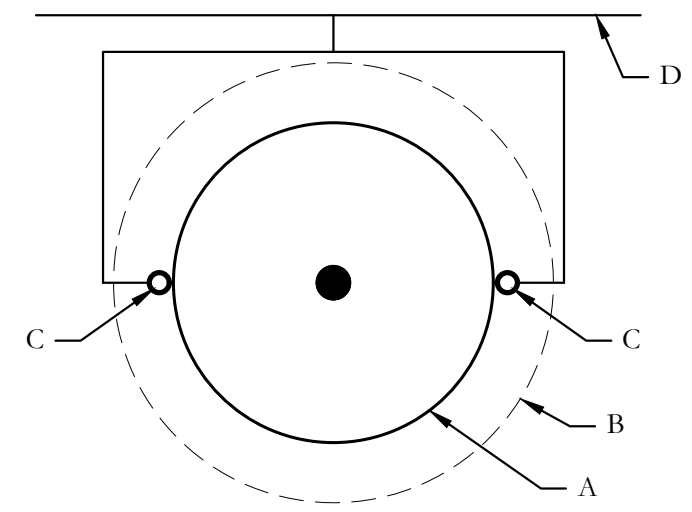
- CONSTRUCTION NOTES:**
- GATE VALVE
 - SCH 80 TOE NIPPLE
 - COUPLING
 - 1 1/2" VALVE BOX

GATE VALVE
NOT TO SCALE



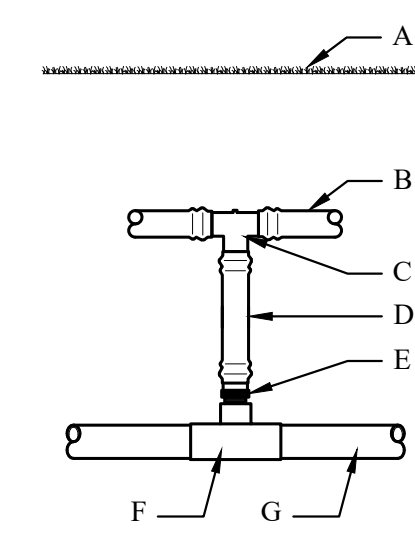
- CONSTRUCTION NOTES:**
- ECO INDICATOR - ECOID
 - LATERAL PIPE PER PLAN
 - PFT CONNECTION FROM LATERAL
 - SPIRAL BARB ELBOW - HSBE-XXX
 - FLEX-TUBING - FLEXSG
 - FINISHED GRADE IN TURF
 - ADJACENT MULCH
 - FINISHED GRADE IN PLANTER BED
 - MARLEX STREET ELBOW

ECO INDICATOR WITH FLEX TUBING
NOT TO SCALE



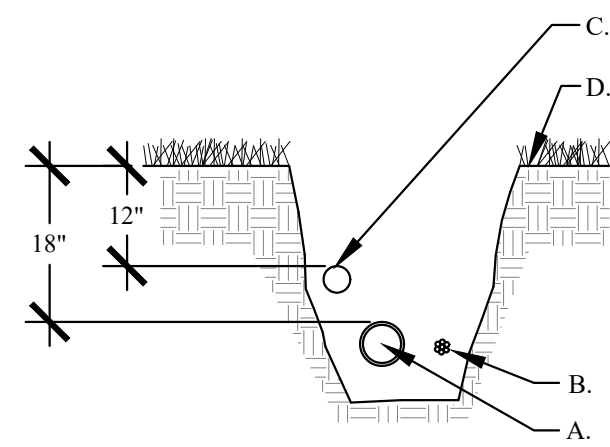
- GENERAL NOTES:**
- TREE BUBBLERS TO BE ALIGNED PARALLEL WITH MEDIAN CURBS.
 - NO TRENCHING ALLOWED WITHIN THE TREE'S ROOTBALL.
 - TREE BUBBLERS TO BE ON UPHILL SIDE OF THE TREE IN THE RETENTION BASIN OR AS SHOWN.
 - COORDINATE THE LOCATION OF THE BUBBLERS WITH THE PROPOSED TREE LOCATIONS AS SHOWN ON THE LANDSCAPE PLANTING PLANS.
- CONSTRUCTION NOTES:**
- TREE ROOTBALL
 - EDGE OF TREE PIT (RETENTION BASIN)
 - TREE BUBBLER NOZZLE AFB
 - LATERAL LINE (SIZED AS SPEC'D)

TREE BUBBLER PLAN
NOT TO SCALE



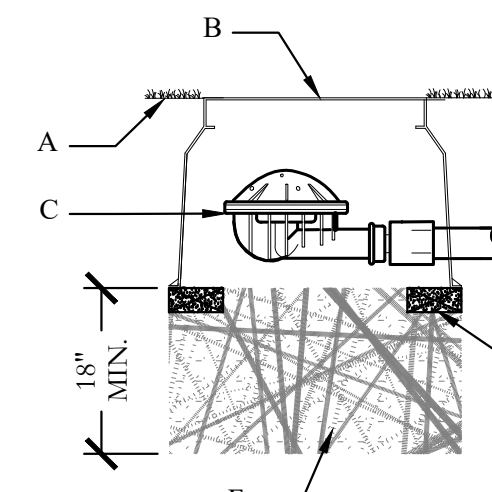
- CONSTRUCTION NOTES:**
- FINISH GRADE
 - HUNTER PLD 06-18
 - PLD-TEE 17MM BARBxBARB
 - PLD-BLNK
 - PLD-075 3/4" MPTxBARB
 - 3/4" MPT TEE
 - LATERAL PIPE

BELOW GRADE START CONNECTION
NOT TO SCALE



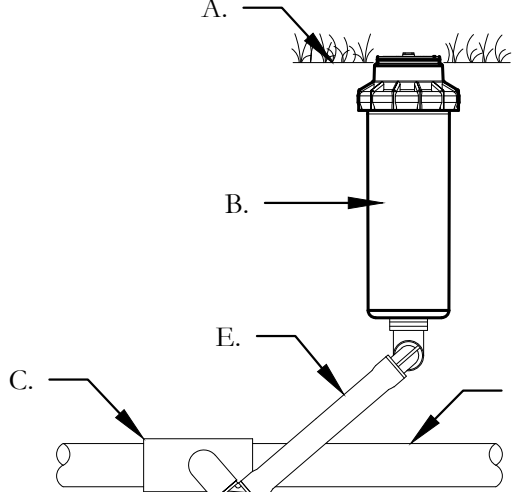
- GENERAL NOTES:**
- REST PIPE FIRMLY ON TRENCH BOTTOM.
 - SNAKE PIPE FROM SIDE TO SIDE.
 - DO NOT STACK PIPE IN TRENCH. PROVIDE HORIZONTAL SEPARATION.
 - MAINTAIN 2" MINIMUM SEPARATION BETWEEN MAINLINE AND LATERAL LINE PIPING.
 - BUNDLE WIRE(S) AT 20 FT. INTERVALS.
- CONSTRUCTION NOTES:**
- MAINLINE PIPING - 18" MINIMUM COVER
 - WIRE BUNDLE - TAPE PER SPECIFICATIONS
 - LATERAL LINE PIPING - 12" MINIMUM COVER
 - FINISH GRADE

IRRIGATION TRENCH
NOT TO SCALE



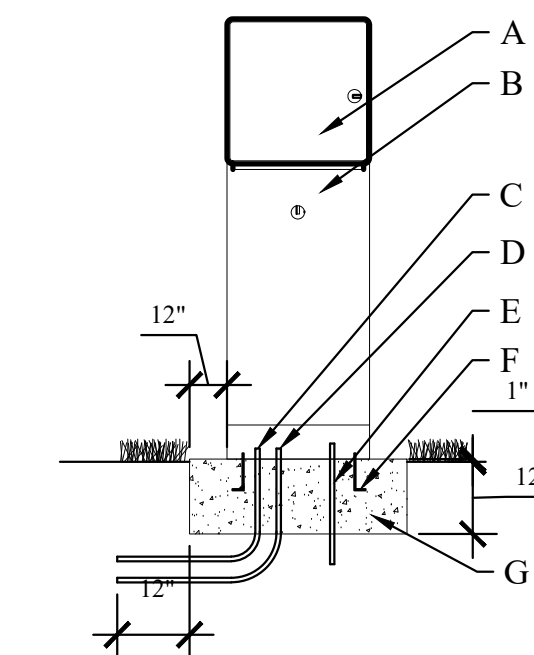
- CONSTRUCTION NOTES:**
- FINISH GRADE
 - 10" ROUND VALVE BOX
 - LINE FLUSHING VALVE
 - PLD-050 OR 1/2" PFT ADAPTER
 - BRICK SUPPORTS (3)
 - 3/4" GRAVEL SUMP

DRIP IRRIGATION - FLUSH VALVE
NOT TO SCALE



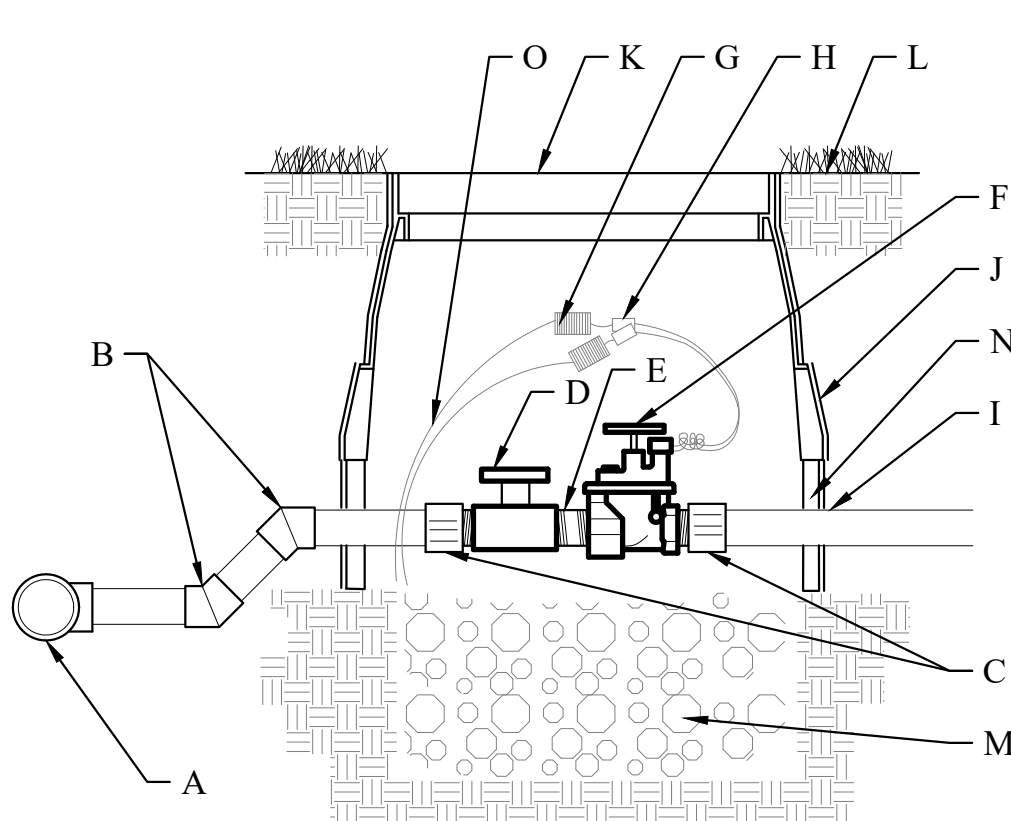
- GENERAL NOTES:**
- REST PIPE FIRMLY ON TRENCH BOTTOM.
 - SNAKE PIPE FROM SIDE TO SIDE.
 - DO NOT STACK PIPE IN TRENCH. PROVIDE HORIZONTAL SEPARATION.
 - MAINTAIN 2" MINIMUM SEPARATION BETWEEN MAINLINE AND LATERAL LINE PIPING.
 - BUNDLE WIRE(S) AT 20 FT. INTERVALS.
- CONSTRUCTION NOTES:**
- FINISHED GRADE
 - ROTOR HEAD
 - LATERAL TEE OR ELL
 - LATERAL PIPE
 - LASCO SWING JOINT

ROTOR HEAD
NOT TO SCALE



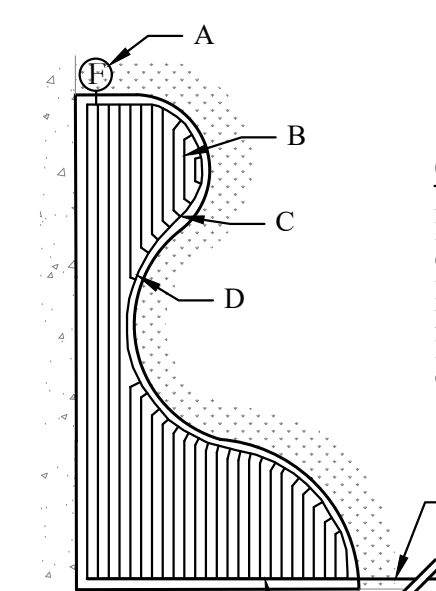
- GENERAL NOTES:**
- INSTALL ELECTRICAL WIRING PER LOCAL CODES.
 - CONTRACTOR SHALL BE RESPONSIBLE FOR ALL ELECTRICAL WORK.
 - PROVIDE DRAINAGE AWAY FROM BASE OF PEDESTAL.
 - GROUND IRRIGATION BOXES WITH GROUNDING ROD PER N.E.C.
 - INSTALL TEMPERATURE SENSOR TO NORTH SIDE OF CONTROLLER PEDESTAL W/ STAINLESS STEEL SCREWS
- CONSTRUCTION NOTES:**
- CONTROLLER
 - PEDESTAL
 - ELECTRICAL SERVICE CONDUIT
 - REMOTE CONTROL VALVE WIRING CONDUIT
 - GROUNDING ROD(S) PER MANUFACTURER'S REQUIREMENTS
 - ANCHOR BOLTS
 - CONCRETE BASE, 3,000 PSI

PEDESTAL MOUNTED CONTROLLER
NOT TO SCALE



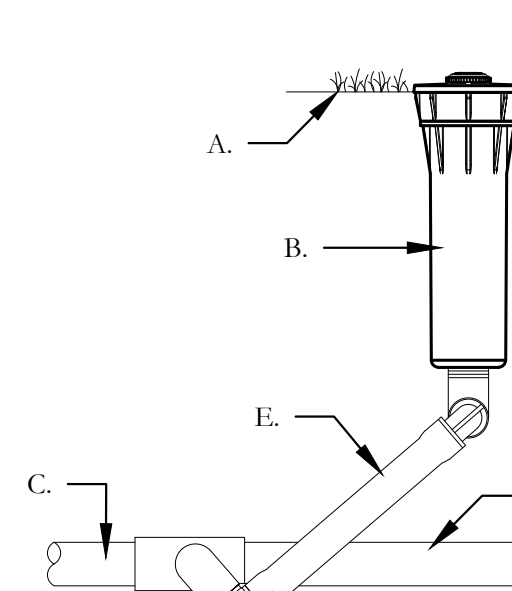
- GENERAL NOTES:**
- INSTALL PEA GRAVEL FLUSH WITH BOTTOM OF PIPE AND VALVE.
 - MAINLINE SHALL HAVE A MINIMUM OF 18" COVER AND LATERAL LINE SHALL HAVE A MINIMUM OF 12" COVER.
 - PROVIDE A 24" WIRE EXPANSION COIL AT EACH DRY SPLICE WIRE CONNECTION.
 - CENTER VALVE ASSEMBLY IN VALVE BOX.
- CONSTRUCTION NOTES:**
- PVC SERVICE TEE
 - SCH 40 45° BEND
 - SCH 40 MALE ADAPTER
 - SCH 40 BALL VALVE
 - GRAY SCH 80 SHORT NIPPLE (TBE)
 - AUTOMATIC VALVE
 - WIRE COIL
 - WATERPROOF WIRE CONNECTORS
 - LATERAL PIPE
 - 10 ML BLACK PLASTIC
 - ARMOR 12" STANDARD VALVE BOX WITH COVER AND PENTAGON LOCK. ROUT AND PAINT VALVE NUMBER ON TOP OF LID. SET 1/4" ABOVE FINISH GRADE.
 - FINISH GRADE
 - WASHED PEA GRAVEL - 6" DEPTH MIN
 - 6" VALVE BOX EXTENSIONS AS REQUIRED
 - VALVE WIRING

ELECTRIC VALVE
NOT TO SCALE



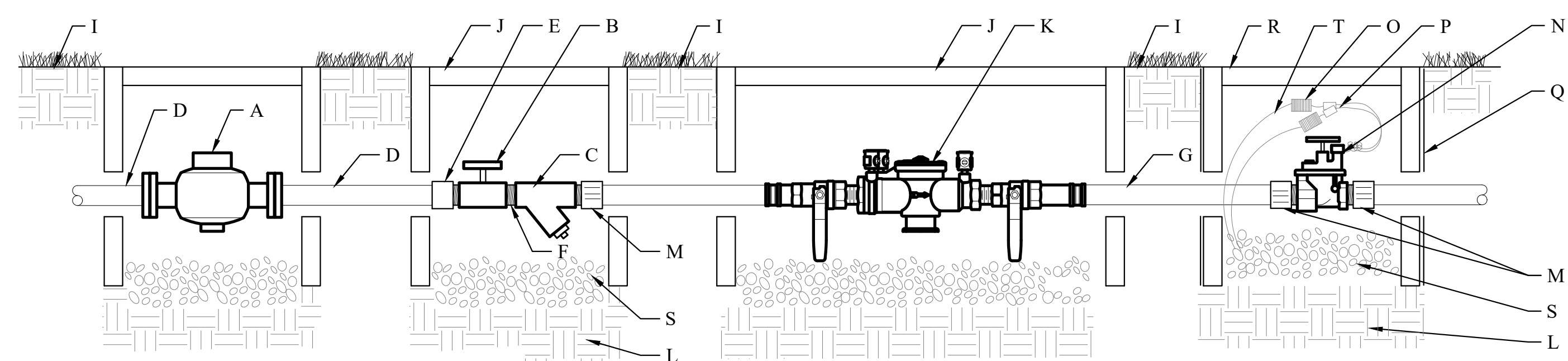
- CONSTRUCTION NOTES:**
- FLUSH VALVE
 - HUNTER PLD 06-18
 - HUNTER PLD TEE
 - TUBING STAKE
 - LATERAL TO PLD CONNECTION
 - DRIP CONTROL VALVE, MODEL ICZ-101
 - LATERAL PIPE TO PLANTING BED

DRIP IRRIGATION - BED
NOT TO SCALE



- GENERAL NOTES:**
- REST PIPE FIRMLY ON TRENCH BOTTOM.
 - SNAKE PIPE FROM SIDE TO SIDE.
 - DO NOT STACK PIPE IN TRENCH. PROVIDE HORIZONTAL SEPARATION.
 - MAINTAIN 2" MINIMUM SEPARATION BETWEEN MAINLINE AND LATERAL LINE PIPING.
 - BUNDLE WIRE(S) AT 20 FT. INTERVALS.
- CONSTRUCTION NOTES:**
- FINISHED GRADE
 - ROTOR HEAD PER PLANS
 - LATERAL TEE OR ELL
 - LATERAL PIPE
 - IPS FLEX PIPE

PRS40-CV - MP ROTATOR SPRAY HEAD
NOT TO SCALE



- CONSTRUCTION NOTES:**
- WATER METER (SIZE PER PLAN)
 - BALL VALVE (SIZE PER LINE)
 - WYE STRAINER (SIZE PER LINE)
 - TYPE "K" COPPER PIPE
 - COPPER SXT COUPLING
 - TBE NIPPLE
 - PIPE PER CITY CODE
 - COUPLING
 - FINISH GRADE
 - 12"x17" VALVE BOX. SET FLUSH WITH FINISH GRADE
 - DOUBLE CHECK VALVE ASSEMBLY
 - COMPACTED SUBGRADE
 - MALE ADAPTER
 - MASTER ELECTRIC VALVE
 - WIRE COIL
 - WATERPROOF WIRE CONNECTORS
 - 10 ML BLACK PLASTIC
 - 10" RD VALVE BOX. SET 1/4" ABOVE FINISH GRADE
 - WASHED PEA GRAVEL - 6" DEPTH MIN
 - VALVE WIRING
- GENERAL NOTES:**
- INSTALL WASHED PEA GRAVEL BELOW DCA TO ALLOW ACCESS TO TEST COCKS AND OPERATION OF BALL VALVES
 - INSTALL PEA GRAVEL FLUSH WITH ELECTRIC VALVE.
 - PROVIDE A 24" WIRE EXPANSION COIL AT EACH DRY SPLICE WIRE CONNECTION.
 - CENTER VALVE ASSEMBLY IN VALVE BOX.

BACKFLOW PREVENTER CONNECTION
NOT TO SCALE