

STUB INFORMATION

PIECE	STUB INVERT	SYSTEM INVERT
18" STUB K2	556.70	556.70
18" STUB K4	561.20	556.70
18" STUB L1	561.20	556.70
30" STUB L2	560.20	556.70
18" STUB M1	561.20	556.70
12" STUB N1	561.70	556.70
18" STUB P1	561.20	556.70
18" STUB S1	561.20	556.70
12" STUB T1	561.70	556.70
18" STUB V1	561.20	556.70
18" STUB W2	561.20	556.70
18" STUB Y2	561.20	556.70

RISER INFORMATION

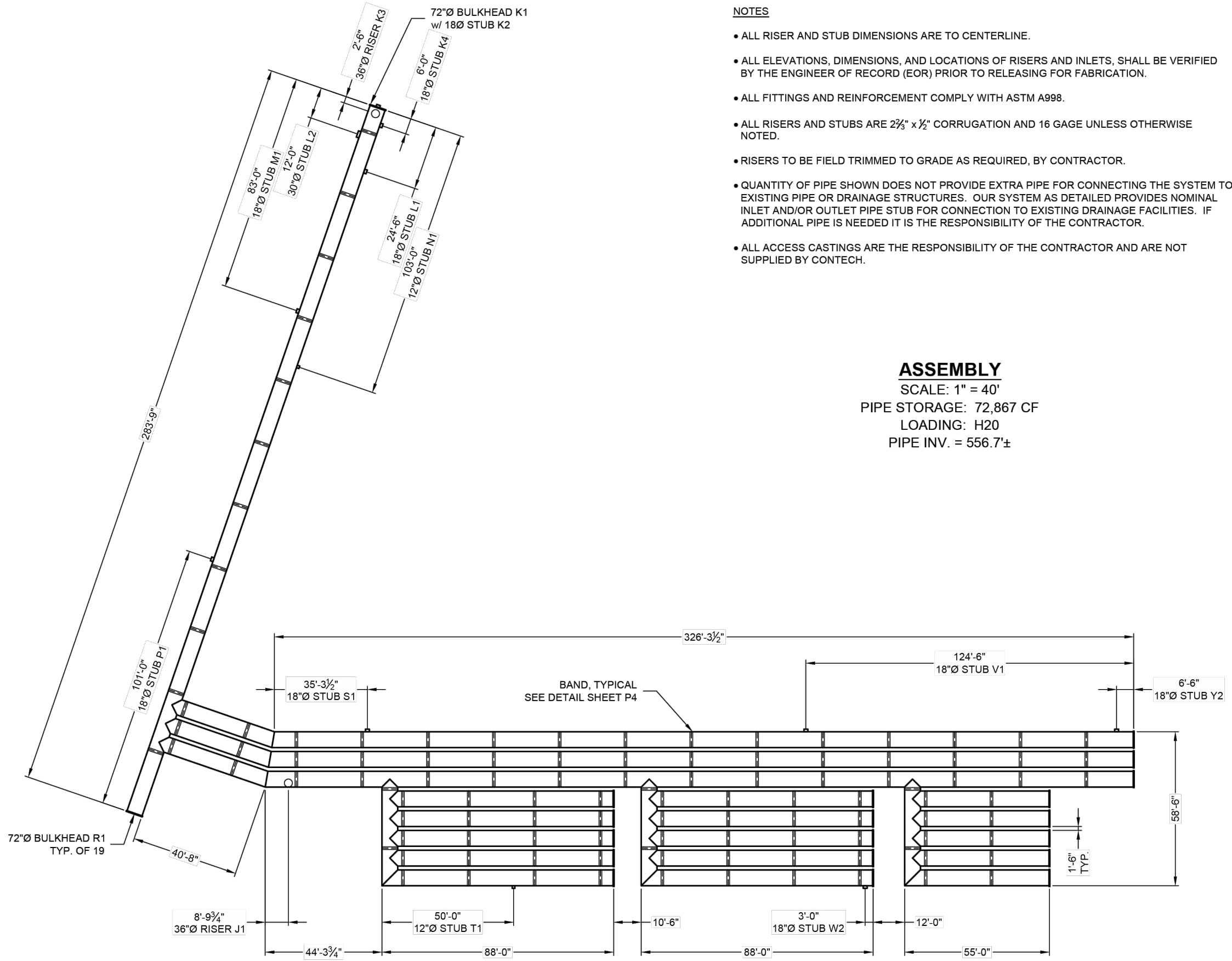
PIECE	RIM ELEV.	SYSTEM INVERT
36" RISER J1	TBD	556.70
36" RISER K3	TBD	556.70

REQUIRED PRIOR TO ORDER

THE UNDERSIGNED HEREBY APPROVES THE ATTACHED (7) PAGES INCLUDING THE FOLLOWING:

- PIPE STORAGE = 72,867 CF
- MAINLINE PIPE GAGE = 16
- WALL TYPE = SOLID
- DIAMETER = 72"
- FINISH = ALT 2
- CORRUGATION = 5x1

CUSTOMER _____ DATE _____



- NOTES**
- ALL RISER AND STUB DIMENSIONS ARE TO CENTERLINE.
 - ALL ELEVATIONS, DIMENSIONS, AND LOCATIONS OF RISERS AND INLETS, SHALL BE VERIFIED BY THE ENGINEER OF RECORD (EOR) PRIOR TO RELEASING FOR FABRICATION.
 - ALL FITTINGS AND REINFORCEMENT COMPLY WITH ASTM A998.
 - ALL RISERS AND STUBS ARE 2 1/2" x 1/2" CORRUGATION AND 16 GAGE UNLESS OTHERWISE NOTED.
 - RISERS TO BE FIELD TRIMMED TO GRADE AS REQUIRED, BY CONTRACTOR.
 - QUANTITY OF PIPE SHOWN DOES NOT PROVIDE EXTRA PIPE FOR CONNECTING THE SYSTEM TO EXISTING PIPE OR DRAINAGE STRUCTURES. OUR SYSTEM AS DETAILED PROVIDES NOMINAL INLET AND/OR OUTLET PIPE STUB FOR CONNECTION TO EXISTING DRAINAGE FACILITIES. IF ADDITIONAL PIPE IS NEEDED IT IS THE RESPONSIBILITY OF THE CONTRACTOR.
 - ALL ACCESS CASTINGS ARE THE RESPONSIBILITY OF THE CONTRACTOR AND ARE NOT SUPPLIED BY CONTECH.

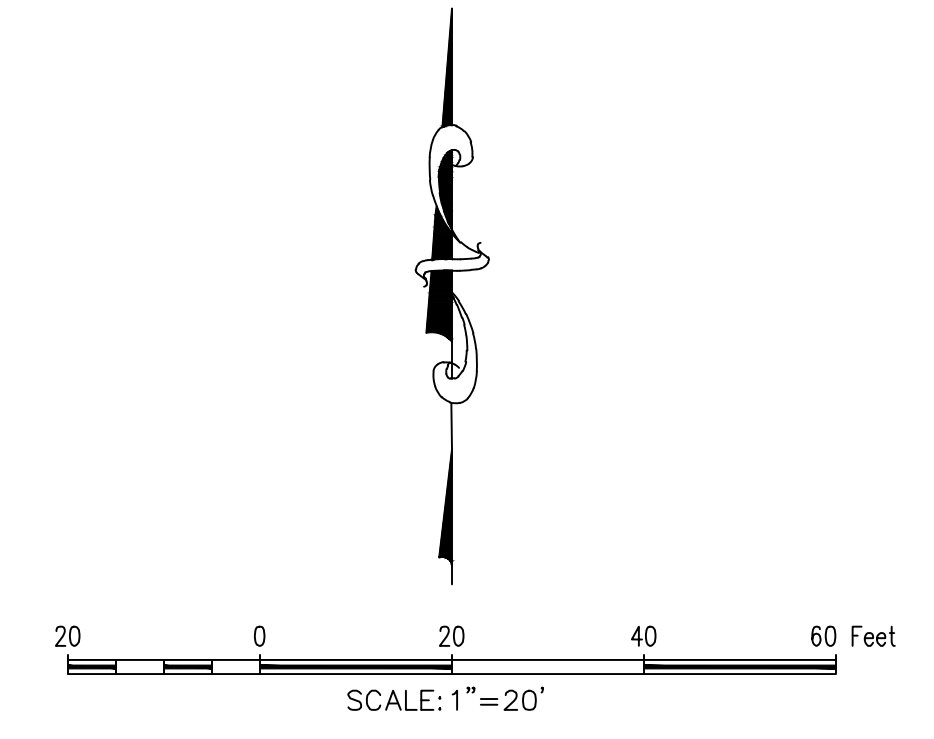
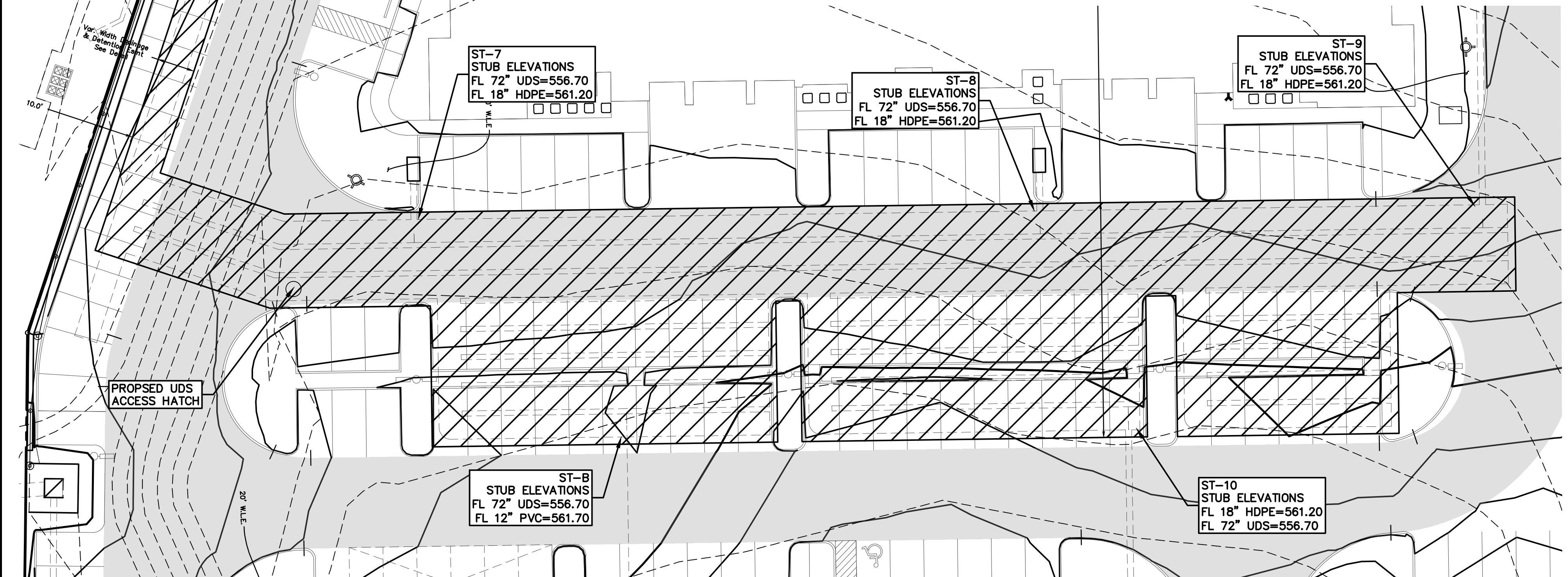
ASSEMBLY
SCALE: 1" = 40'
PIPE STORAGE: 72,867 CF
LOADING: H20
PIPE INV. = 556.7±

72" UNDERGROUND DETENTION SYSTEM - 669462-010
SWBC ROCKWALL PHASE 2
ROCKWALL, TX
SITE DESIGNATION: UDS

PROJECT NO: 669462-010 DATE: 3/3/2021
DESIGNED: SJ DRAWN: SJ/DJB
CHECKED: SJ APPROVED: SJ
SHEET NO: P2 OF 7

CONTECH ENGINEERED SOLUTIONS LLC
www.conteches.com
11815 NE Glenview, Irving, TX 75039
950-548-4867 950-240-3393 950-581-1271 FAX

CONTECH CMP DETENTION SYSTEMS
CONTECH PROPOSAL DRAWINGS



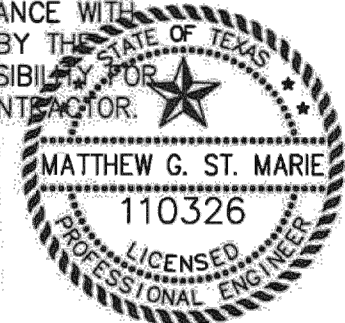
THE "X" CUT ON CURB INLET ALONG NORTHSIDE OF DISCOVERY BLVD, APPROXIMATELY 85' WEST OF THE SOUTHWEST CORNER OF SUBJECT PROPERTY LINE. ELEV. = 564.92
BM: CITY OF ROCKWALL CONTROL MONUMENT "N1495", CALLED ELEV. = 566.71
MEASURED ELEV. = 566.83

- GENERAL NOTES**
- INSTALL UNDERGROUND DETENTION PER MANUFACTURERS RECOMMENDATIONS, PLANS AND DETAILS.
 - UNDERGROUND DETENTION TO BE APPROVED FOR COMPLIANCE BY MANUFACTURERS REPRESENTATIVE PRIOR TO BACKFILL.

AS-BUILT RECORD DRAWING

THE INFORMATION ON THESE PLANS HAS BEEN REVISED TO REFLECT CHANGES TO PUBLIC IMPROVEMENTS MADE DURING CONSTRUCTION. UNLESS OTHERWISE NOTED, THE CONSTRUCTION OF THE PUBLIC IMPROVEMENTS IS IN GENERAL CONFORMANCE WITH THESE PLANS, BASED UPON INFORMATION PROVIDED BY THE CONTRACTOR AND FIELD VERIFICATIONS. THE RESPONSIBILITY FOR ACCURACY AND COMPLETENESS BELONGS TO THE CONTRACTOR.

Matthew G. St. Marie
THE JOHN R MCADAMS COMPANY, INC.
Date: 09/25/2023



MCADAMS
TBPE 19762

Drawn By:	CMK
Date:	12/30/2020
Scale:	1" = 20'
Revisions:	
02/11/2021	
03/11/2021	
05/07/2021	
07/12/2021	

09/25/2023 - AS-BUILTS

OWNER/DEVELOPER
SWBC ROCKWALL LP
6949 SHERRY LANE, SUITE 750
DALLAS, TEXAS 75225
Ph: (214) 987-0700
Contact: Spencer Byington

WBC20000

C3.20

SWBC ROCKWALL PHASE II
Lot 1, Block A
SWBC ROCKWALL ADDITION, PHASE II
21.275 Acres
in the
J.M. ALLEN SURVEY ABSTRACT NO. NO. 2
CITY OF ROCKWALL,
ROCKWALL COUNTY, TEXAS

UNDERGROUND DETENTION SYSTEM

The John R. McAdams Company, Inc.
111 Hillside Drive
Lewisville, Texas 75057
972.435.9712
201 Country View Drive
Rockwall, TX 75087
940.240.1012
TBPE: 19762 TBPLS: 10194440
www.mcadamsco.com

MCADAMS
SWBC ROCKWALL PHASE II

File: \\s:\projects\WBC-20000\04-Production\As-Built\Drawings\WBC20000-Add-306
Printed: 9/25/2023 11:14 AM by Matthew G. St. Marie, 9/25/2023 9:46 AM, by sml