

BM: CITY OF ROCKWALL CONTROL MONUMENT "COR-1" CALLED ELEV. 523.27.
MEASURED ELEV. = 523.56

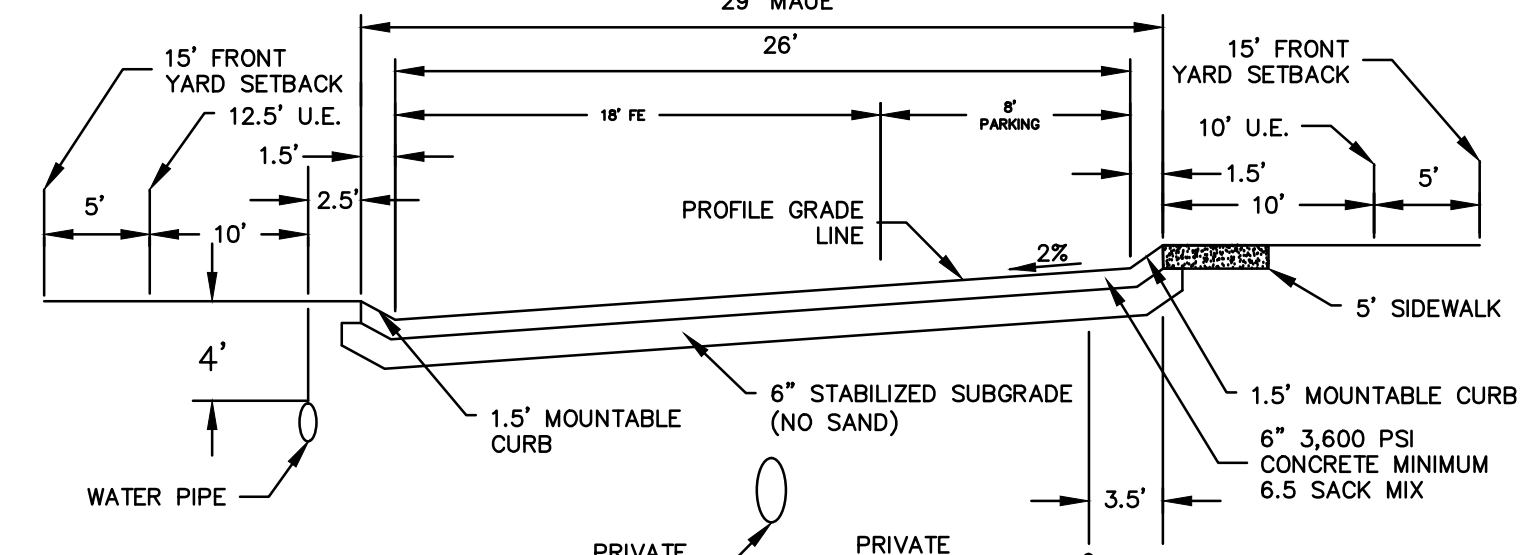
BM: CITY OF ROCKWALL CONTROL MONUMENT "COR-2" CALLED ELEV. 529.10.
MEASURED ELEV. = 529.37

GENERAL NOTES

1. ALL RESPONSIBILITIES FOR ADEQUACY OF DESIGN REMAINS WITH THE DESIGN ENGINEER. THE CITY OF ROCKWALL, IN REVIEWING AND RELEASING PLANS FOR CONSTRUCTION, ASSUMES NO RESPONSIBILITY FOR ADEQUACY OR ACCURACY OF DESIGN.

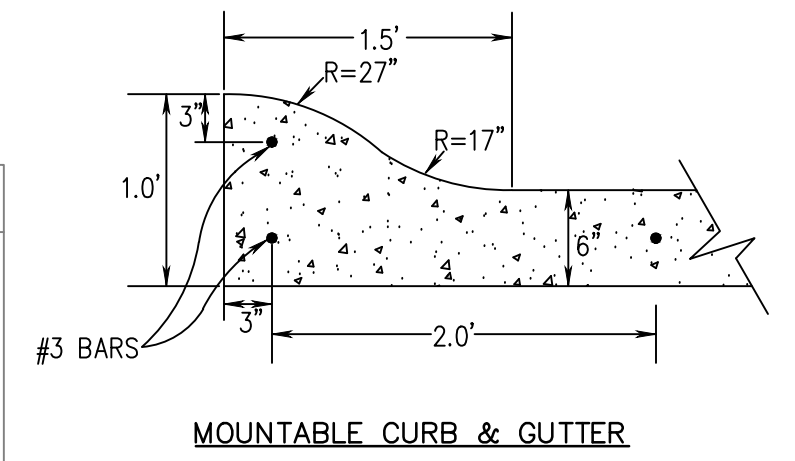
PAVING SPECIFICATIONS:

- STREET SECTION:**
6" 3,600 PSI CONC. PAVEMENT W/ #3 BARS @ 24" O.C.E.W. ON 6" LIME STABILIZED SUBGRADE OR APPROVED EQUAL DENSITY. MINIMUM 6.5 SACK MIX
- R.O.W./TURN LANE:**
5" 3,600 PSI CONC. PAVEMENT W/ #3 BARS @ 18" O.C.E.W. ON 8" LIME STABILIZED SUBGRADE OR APPROVED EQUAL DENSITY. MINIMUM 7.5 SACK MIX
- PARKING SECTION:**
5" 3,600 PSI CONC. PAVEMENT W/ #3 BARS @ 24" O.C.E.W. ON SUB-BASE COMPACTED TO 95% STD. PROCTOR DENSITY. MINIMUM 6.5 SACK MIX.

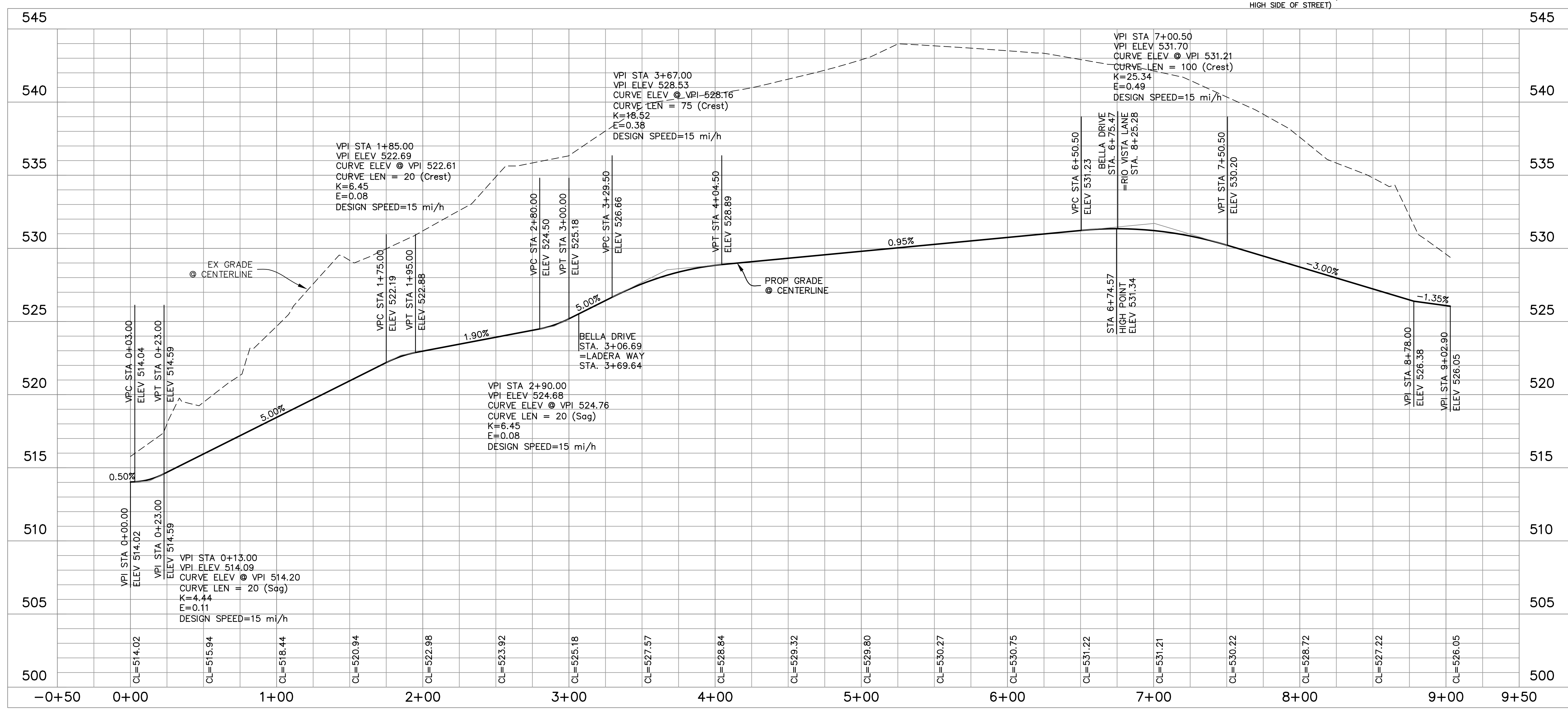


PROPOSED STREET SECTION (NTS)

*PARKING ALLOWED ON ONE SIDE OF STREET ONLY (THE HIGH SIDE OF STREET)



MOUNTABLE CURB & GUTTER



AS-BUILT RECORD DRAWING

TO THE BEST OF OUR KNOWLEDGE, THE JOHN R. MCADAMS COMPANY, INC. HEREBY STATES THAT THIS PLAN IS AS-BUILT. THIS INFORMATION PROVIDED IS BASED ON SURVEYING AT THE SITE AND INFORMATION PROVIDED BY THE CONTRACTOR.

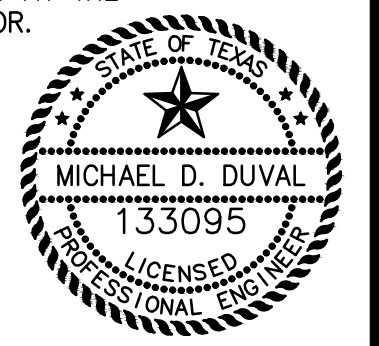
MCADAMS,
Date: 5/2/2020

The John R. McAdams Company, Inc.
111 Hillside Drive
Lewisville, Texas 75057
972.436.9712
201 Country View Drive
Rockwall, Texas 75087
940.240.1012
TBP#: 19782 TBPIS: 10194440
www.mcadams.com



LADERA ROCKWALL PHASE 1
Lot 1, Block A & Lot 1, Block B
LADERA ROCKWALL
47.694 Acres
M. JONES SURVEY, ABSTRACT NO. 122
CITY OF ROCKWALL
ROCKWALL COUNTY, TEXAS

**BELLA DRIVE
PLAN & PROFILE**



MCADAMS
TBP#: 19782

Drawn By: AM
Date: 02/23/2018
Scale: HT = 40' : V 1" = 4'
Revisions:
04/23/2018
07/16/2018
09/06/2018
01/28/2019
02/11/2019
03/11/2019 Signed

17191

OWNER/DEVELOPER
RW LADERA, LLC
361 W. BYRON NELSON BLVD, STE 104
ROANOK, TX 76282
Ph. 817.430.3318
Contact: John Dellin



File: 2_2017(17191)Dwg.dwg (P & Profile) (Sheet) (17191) (DWG) (14/04/2018)
Printed: 5/2/2020 11:49 AM, by: Plover, Sheet: 5/2/2020 4:53 PM, by: mcdad